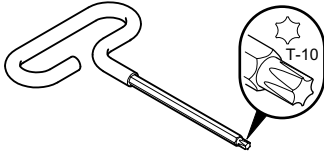


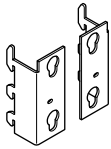
BELONG™

Panel Mounted Tool Rail Installation Instructions

Tools Required

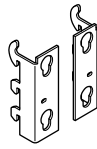


COMPOSE



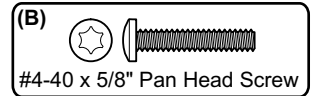
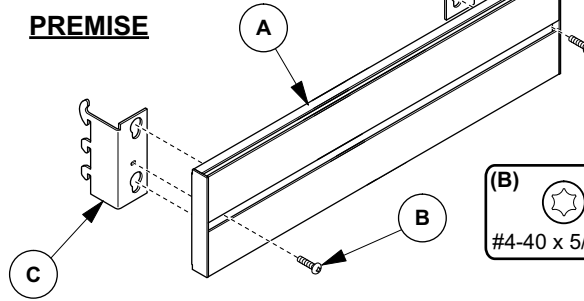
OR

UNIGROUP



OR

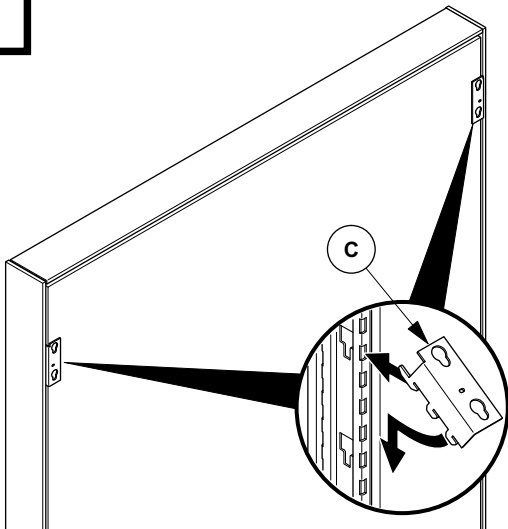
PREMISE



COLOR CHART

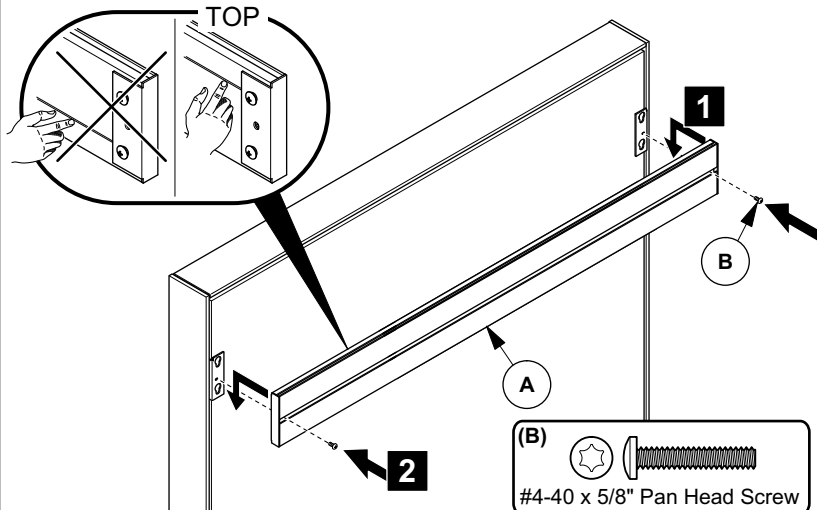
Trim Color	Trim Code	Suggested Fastener Color
Beige	TR-R	Bright Zinc
Chalk	TR-AK	Bright Zinc
Charcoal	TR-K	Black Zinc
Graphite	TR-J	Black Zinc
Putty	TR-AA	Bright Zinc
Smoke	TR-E	Bright Zinc
Metallic Champagne	TR-MC	Black Zinc
Metallic Gunmetal	TR-MG	Black Zinc
Metallic Silver	TR-LE	Bright Zinc
Gray Tone	TR-G	Black Zinc
Platinum	TR-P	Bright Zinc
Plaster	TR-TW	Bright Zinc

1



2

NOTE: Refer to "COLOR CHART" for screw (B) color.



CUSTOMER SERVICE PHONE: 1-800-426-8562