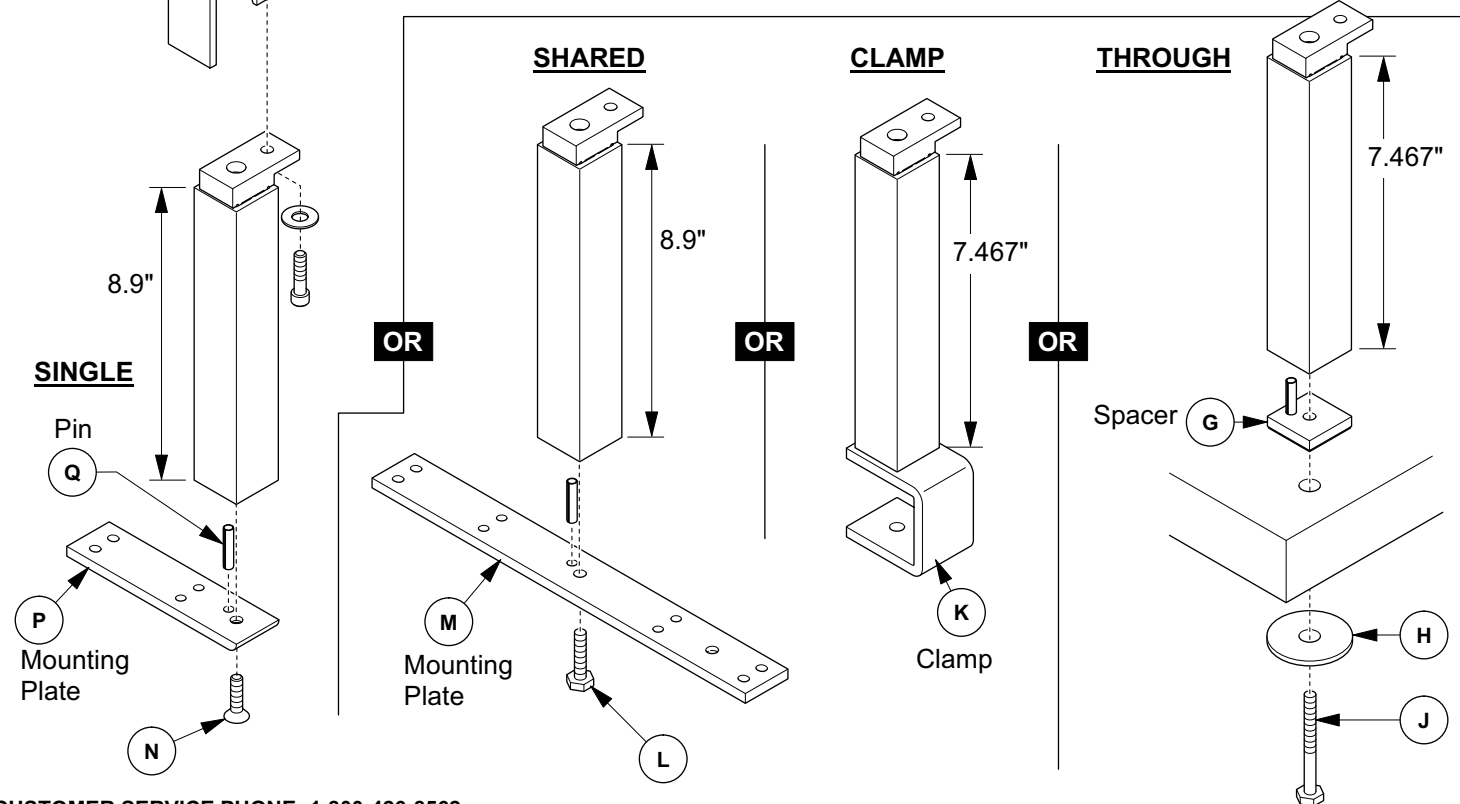
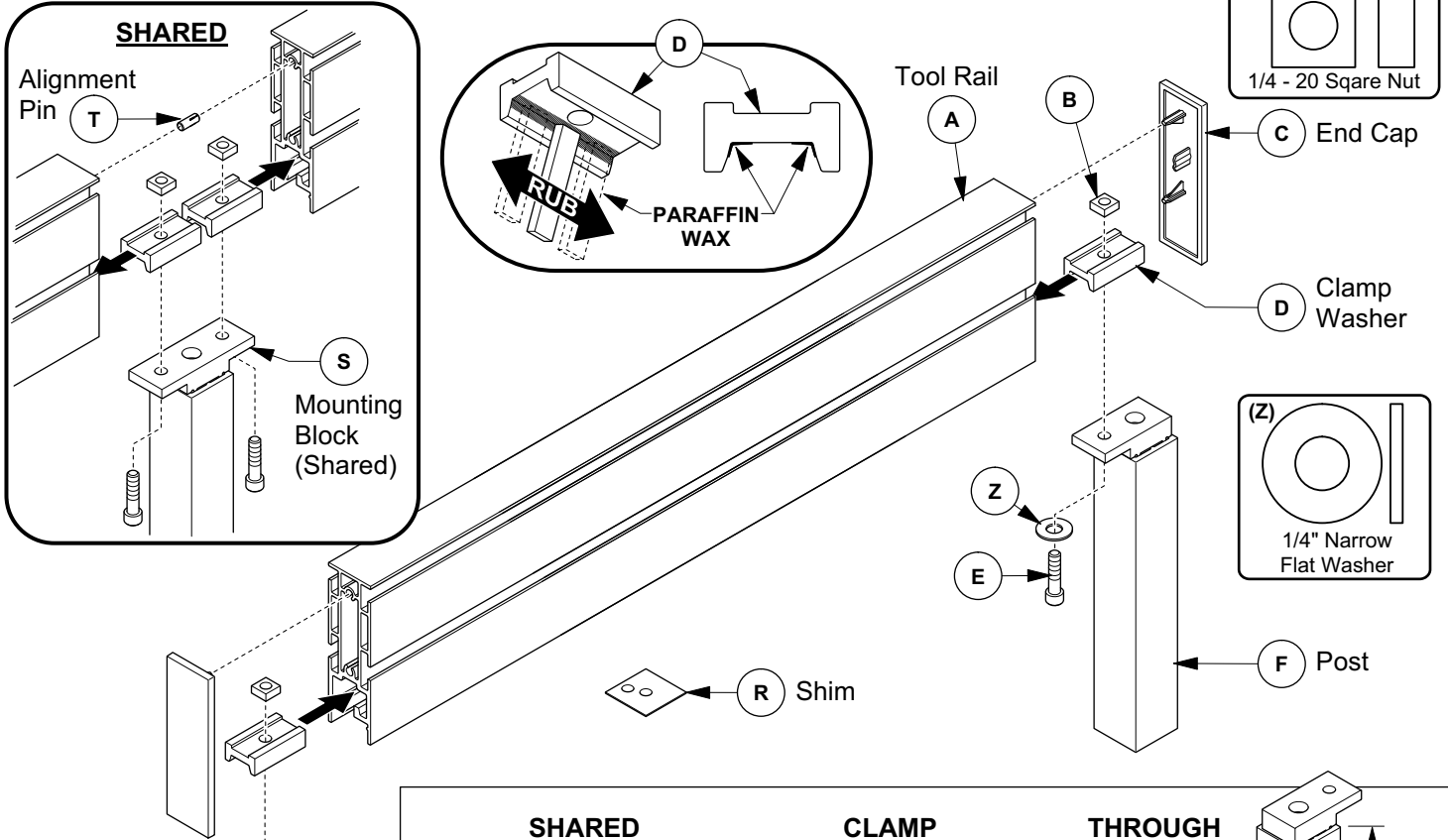
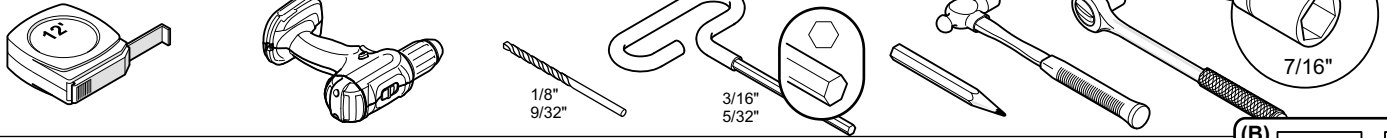


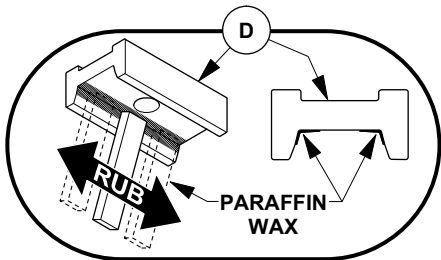
BELONG®
Desk Mounted Tool Rail
 Installation Instructions

Tools Required



CUSTOMER SERVICE PHONE: 1-800-426-8562

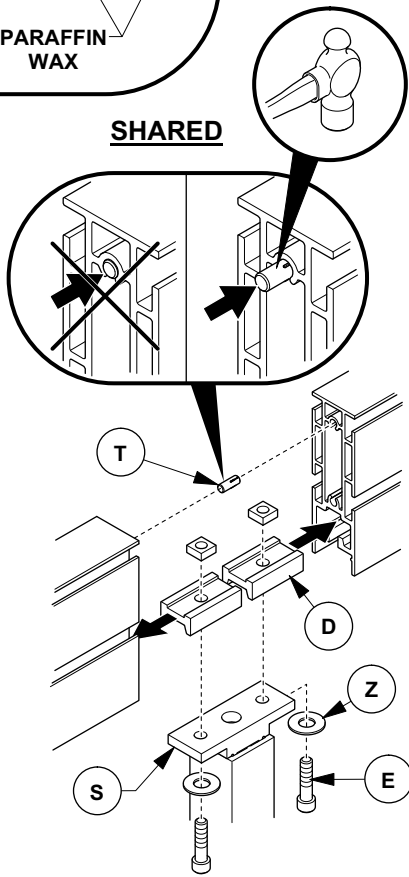
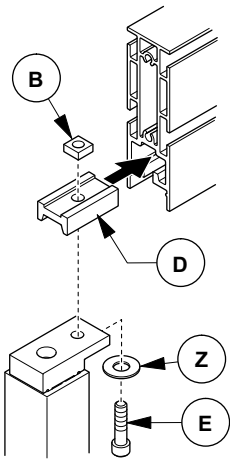
1



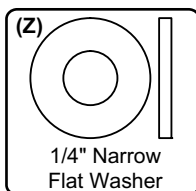
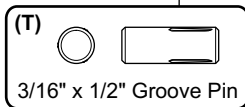
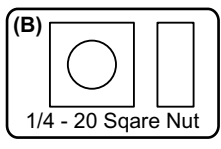
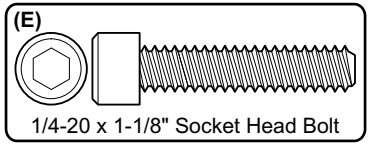
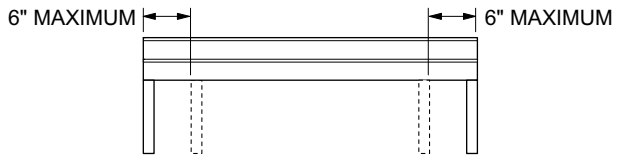
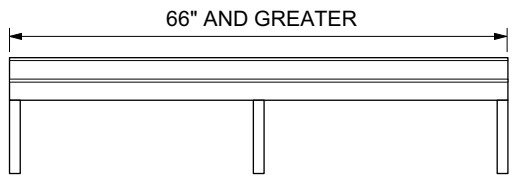
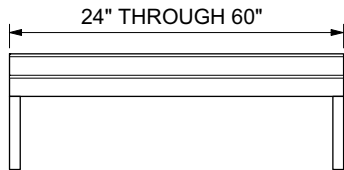
SINGLE

SHARED

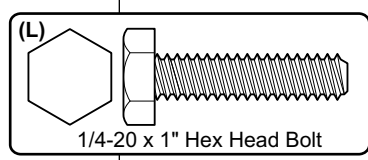
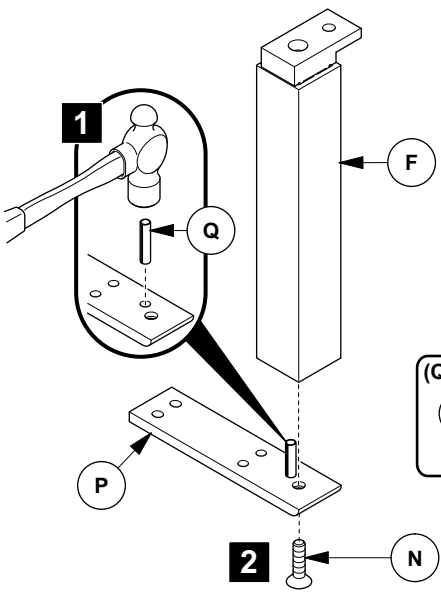
OR



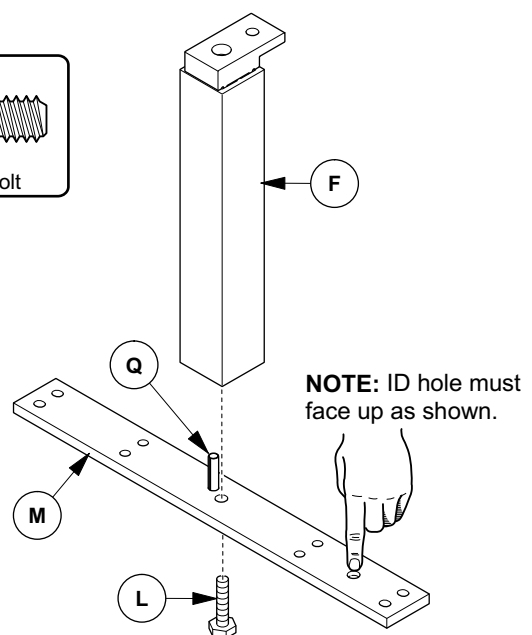
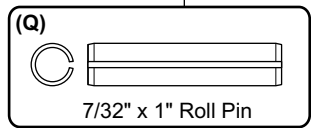
NUMBER OF POST PER RAIL SIZE



2



OR



CUSTOMER SERVICE PHONE: 1-800-426-8562

HAWORTH

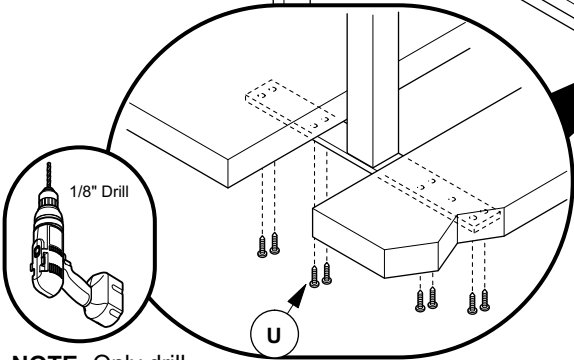
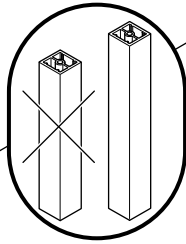
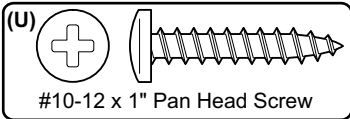
E.C.O. No: 420-030

Page: 2 of 6

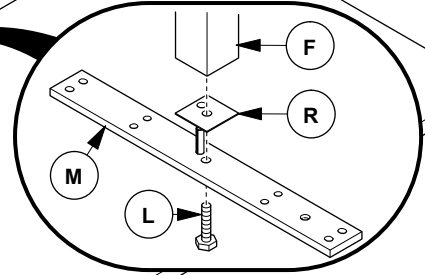
Part No: 7029-9722

Rev: B

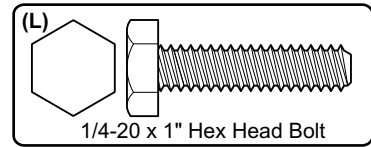
SHARED BRACKETS - NON BENCHING



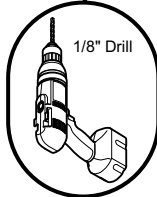
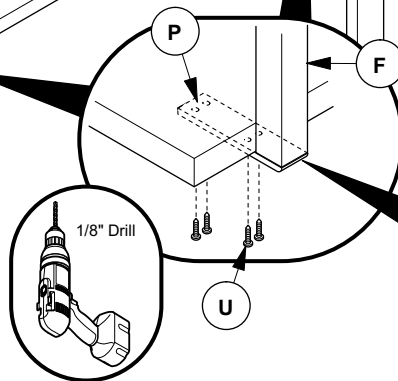
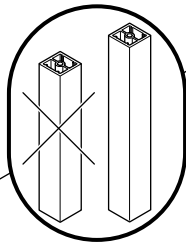
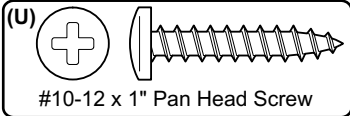
NOTE: Only drill holes if none exist.



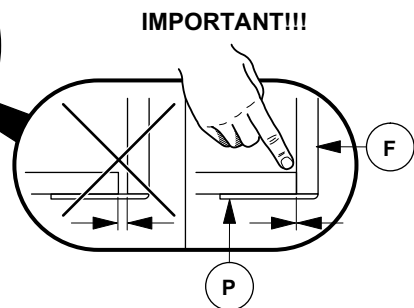
NOTE: If required install shim (R) in center post only.



SINGLE SIDED BRACKETS



NOTE: Only drill holes if none exist.



CUSTOMER SERVICE PHONE: 1-800-426-8562

HAWORTH

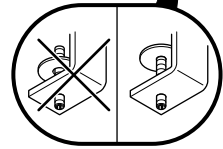
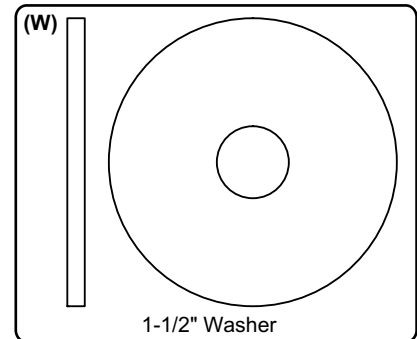
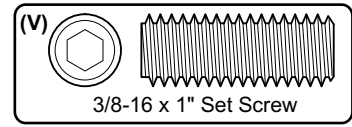
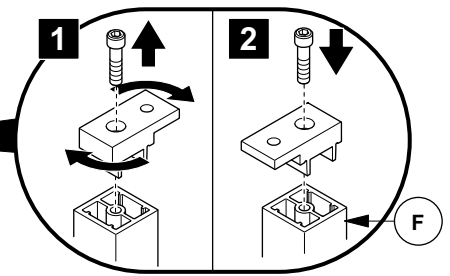
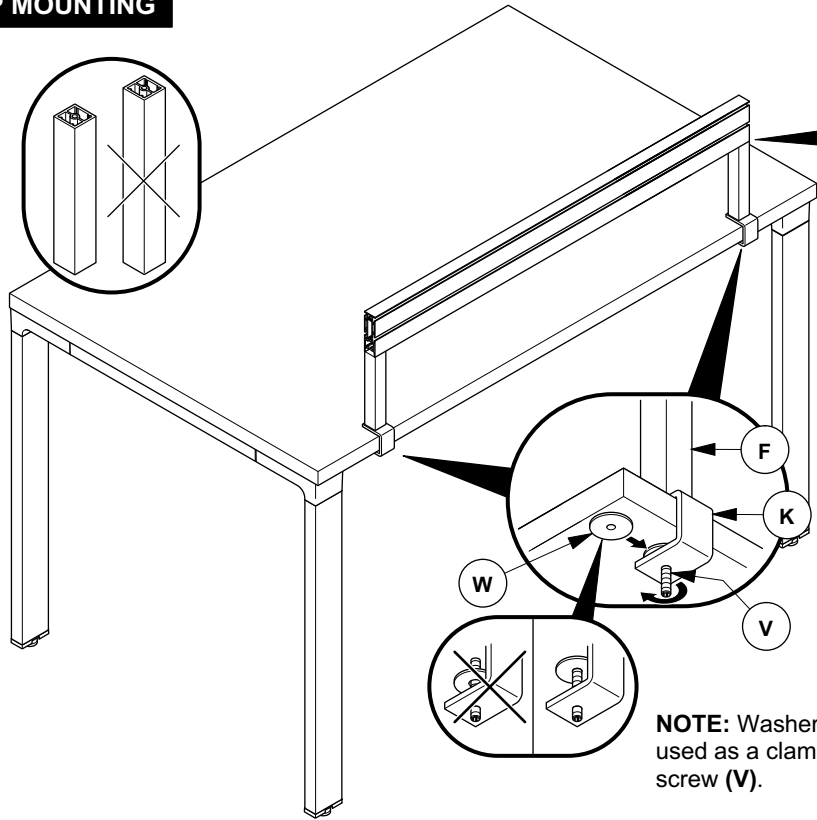
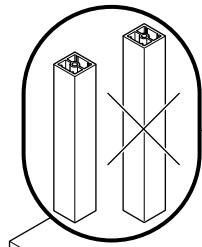
E.C.O. No: 420-030

Page: 3 of 6

Part No: 7029-9722

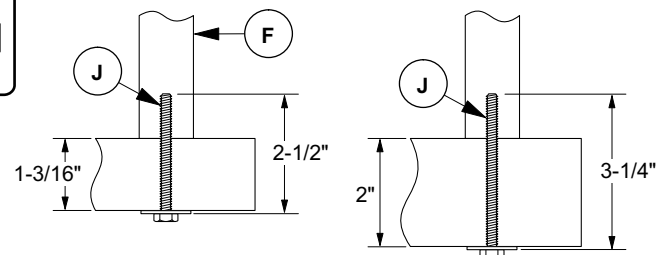
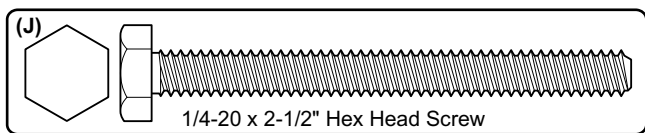
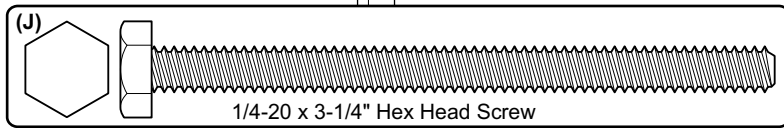
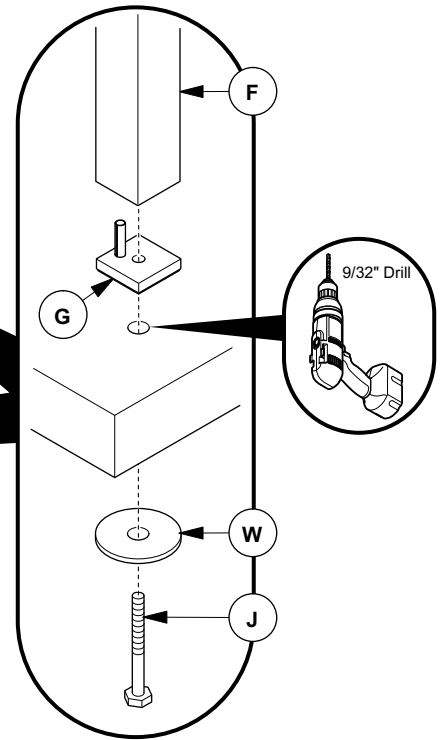
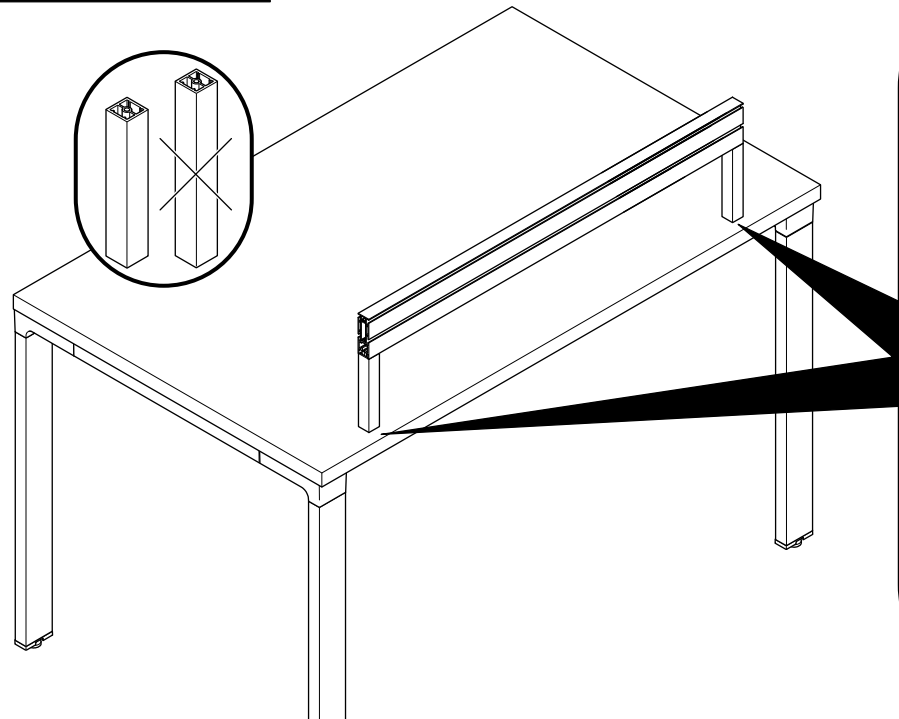
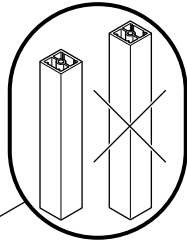
Rev: B

CLAMP MOUNTING



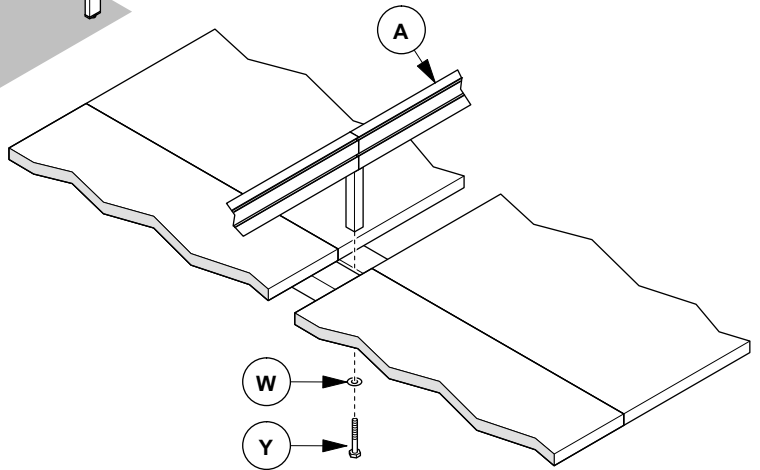
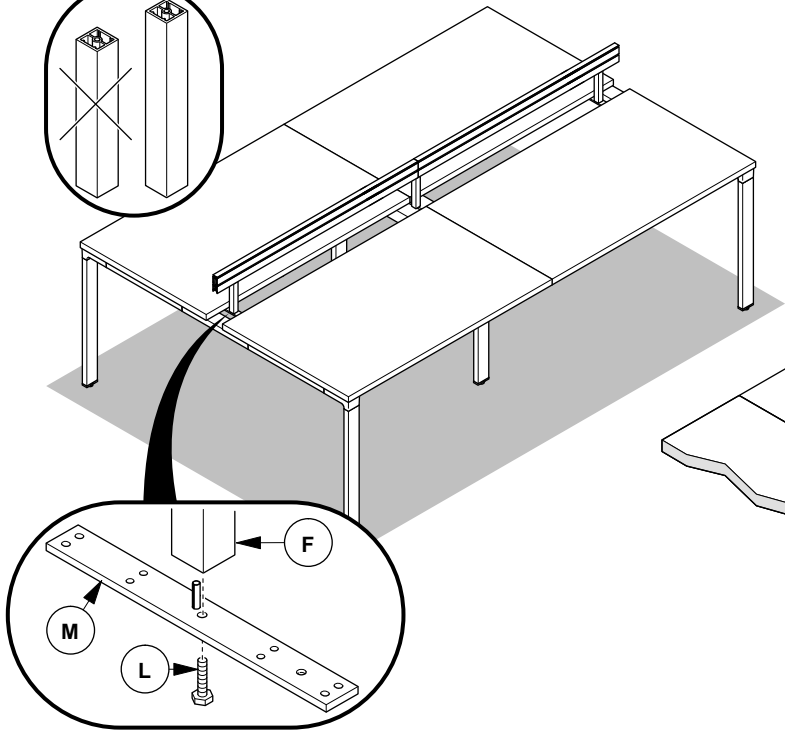
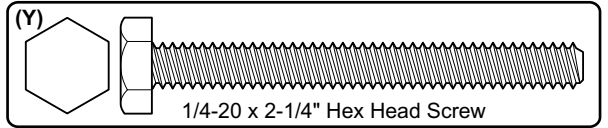
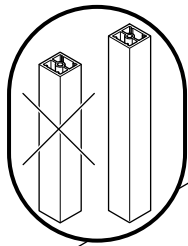
NOTE: Washer (W) is used as a clamp by set screw (V).

THRU WORKSURFACE

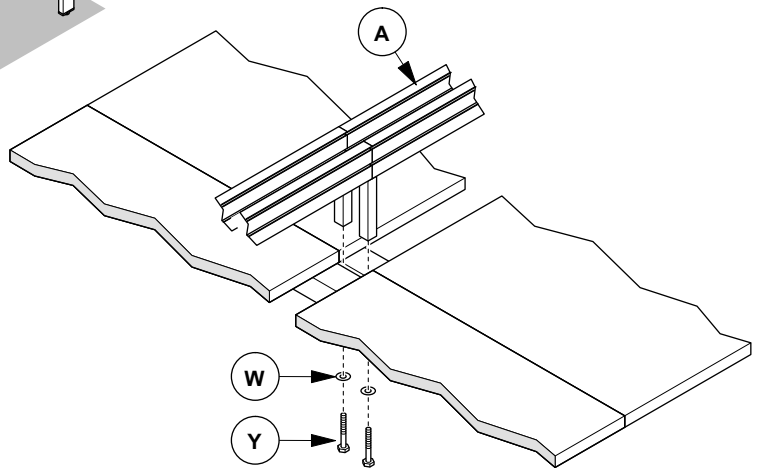
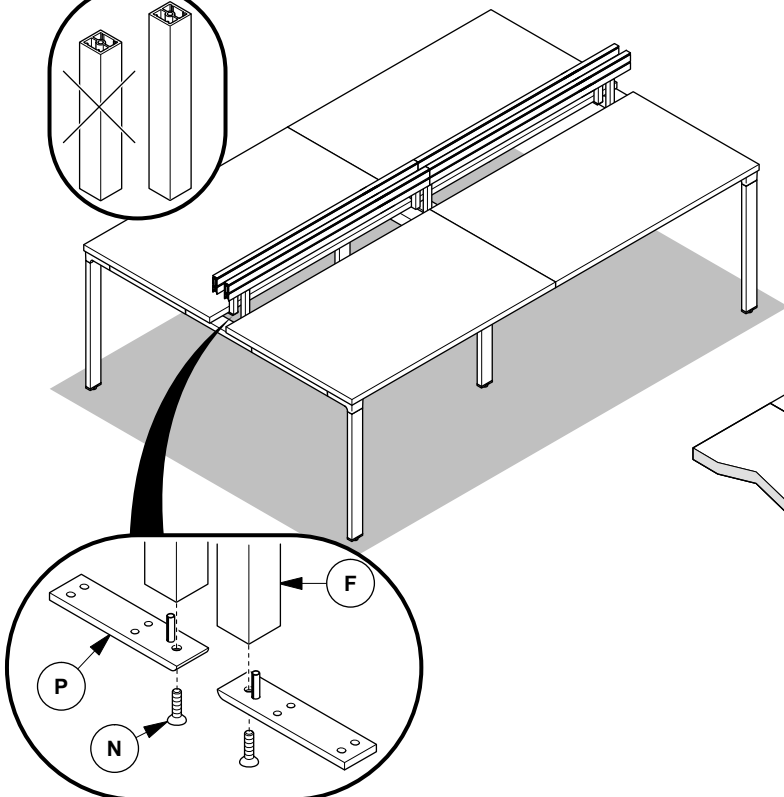
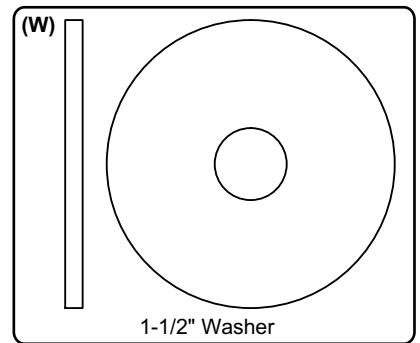
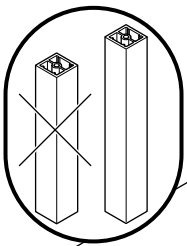


CUSTOMER SERVICE PHONE: 1-800-426-8562

TOOL RAIL MOUNTING - BENCHING



OR



CUSTOMER SERVICE PHONE: 1-800-426-8562

HAWORTH®

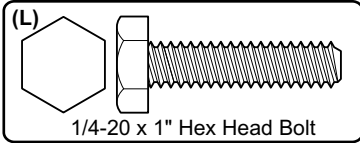
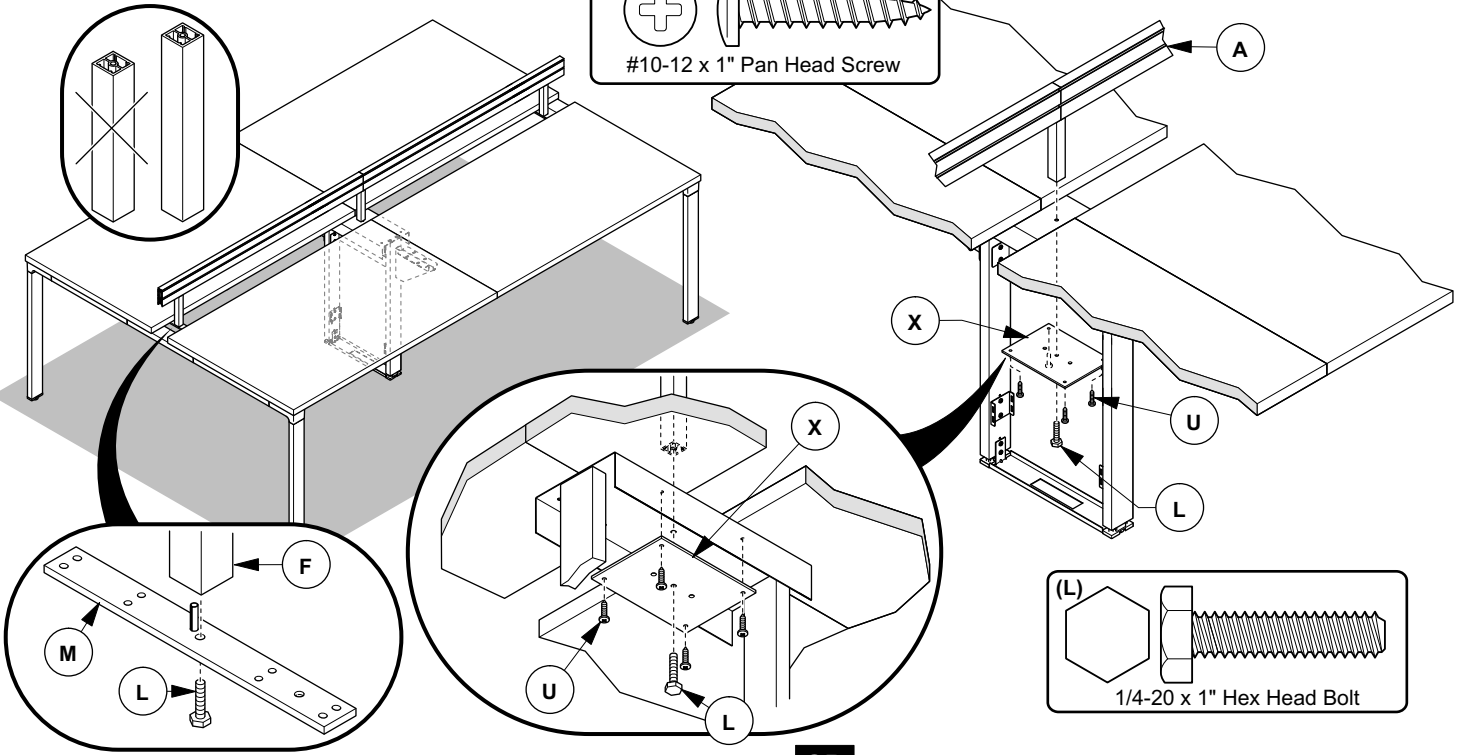
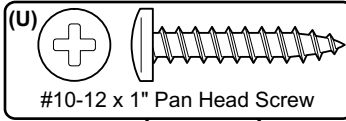
E.C.O. No: 420-030

Page: 5 of 6

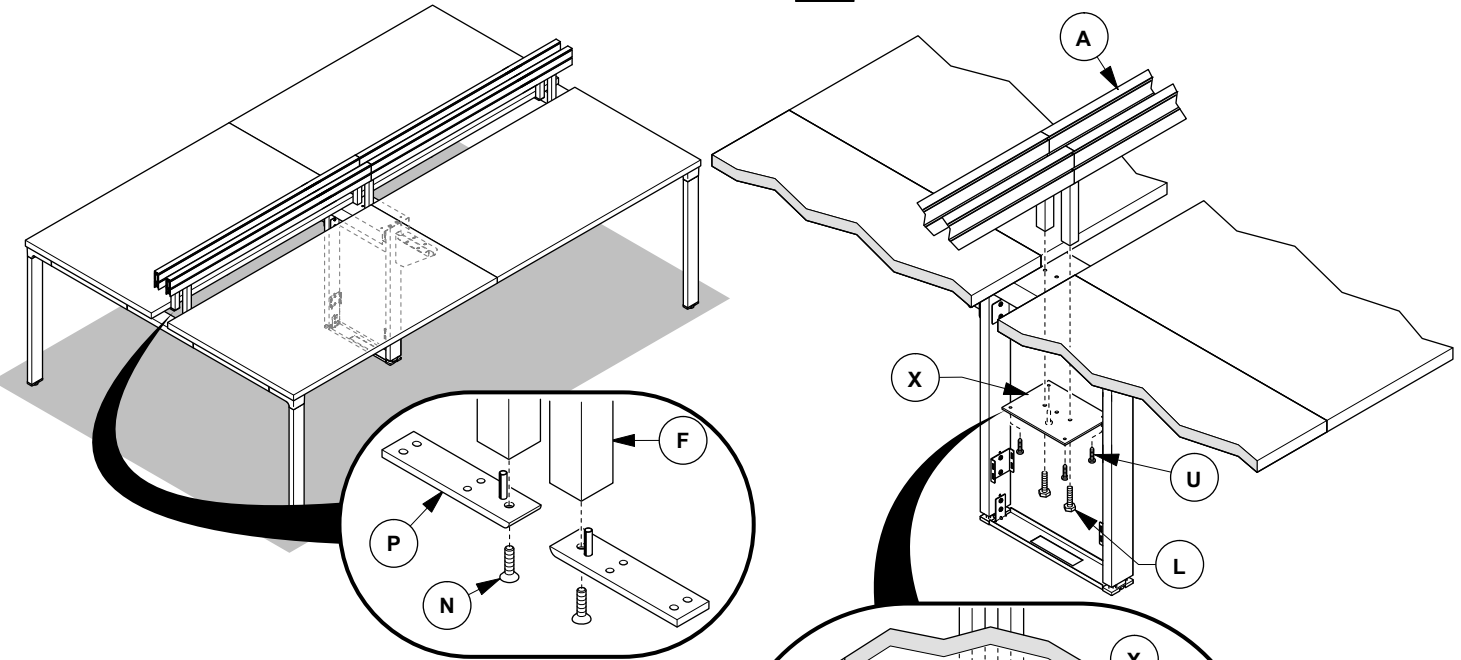
Part No: 7029-9722

Rev: B

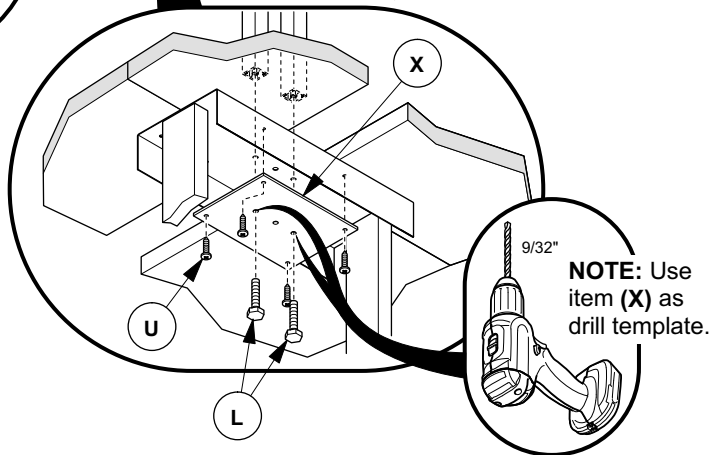
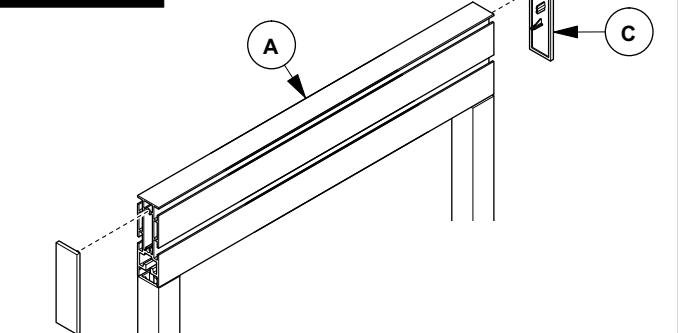
TOOL RAIL MOUNTING - COLUMN



OR



END CAPS



CUSTOMER SERVICE PHONE: 1-800-426-8562