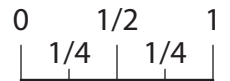


**BELONG®**  
**Multi Material Territory Screen**  
 Installation Instructions

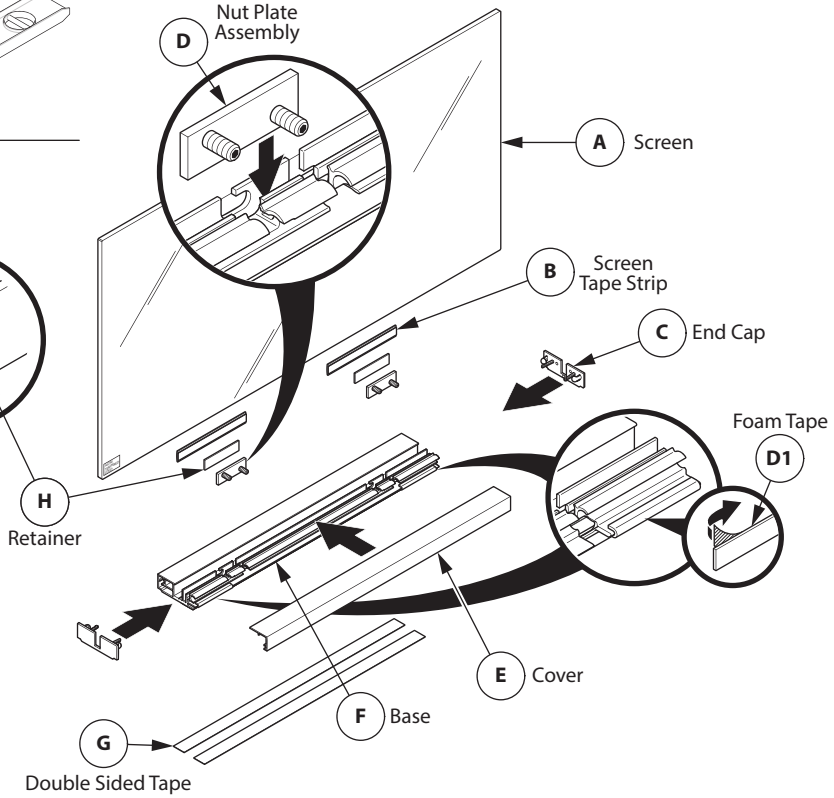
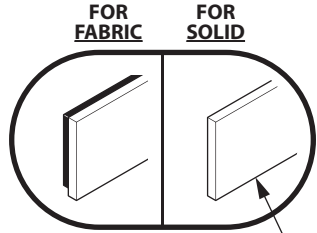
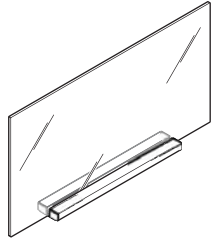
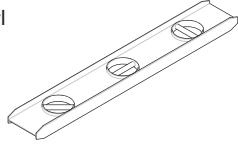


**Scale 1 : 1**

**Tools Required**



Isopropyl Alcohol

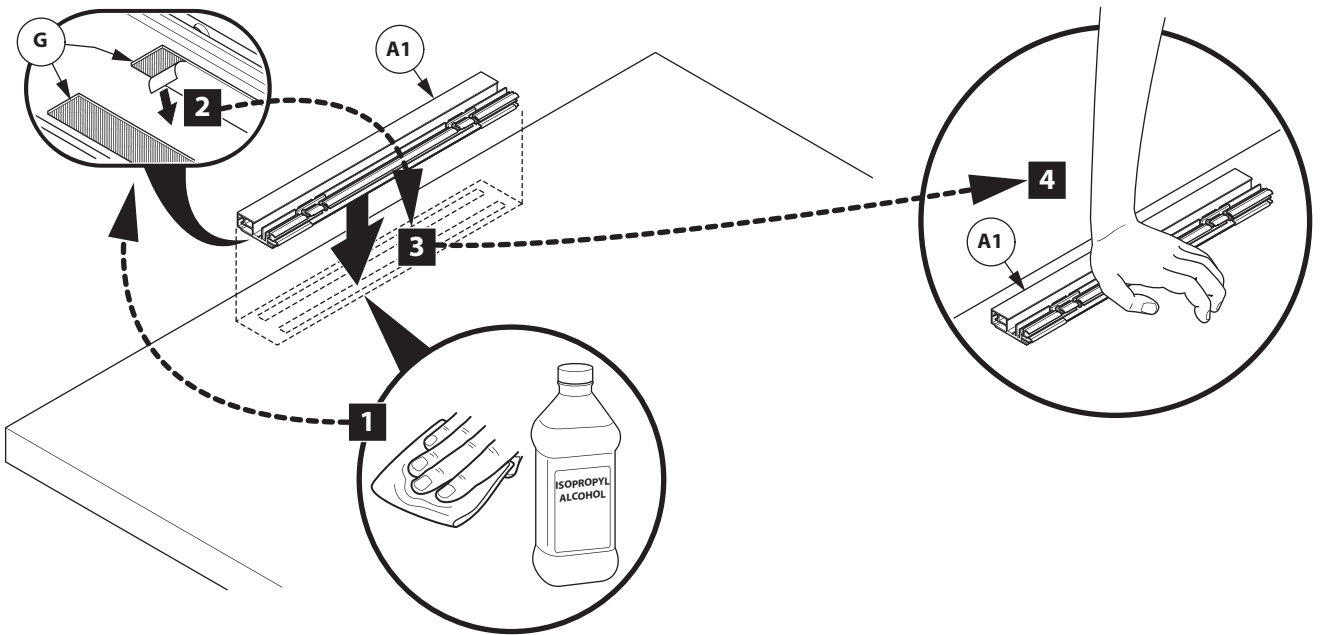


**⚠ CAUTION**

IF REUSING RETAINER (H) MAKE SURE THE MARKED SIDE IS FACING AWAY FROM THE GLASS. CAN CAUSE FAILURE OF GLASS SCREENS

**1** **NOTE:** Wipe mounting surface area with Isopropyl Alcohol to ensure area cleaned and achieve full bond.

**⚠ CAUTION: TAPE (G) IS VERY AGGRESSIVE. DETERMINE FINAL POSITION OF SCREEN BEFORE ADHERING TO WORKSURFACE. ALLOW 72 HOURS TO FULLY CURE.**

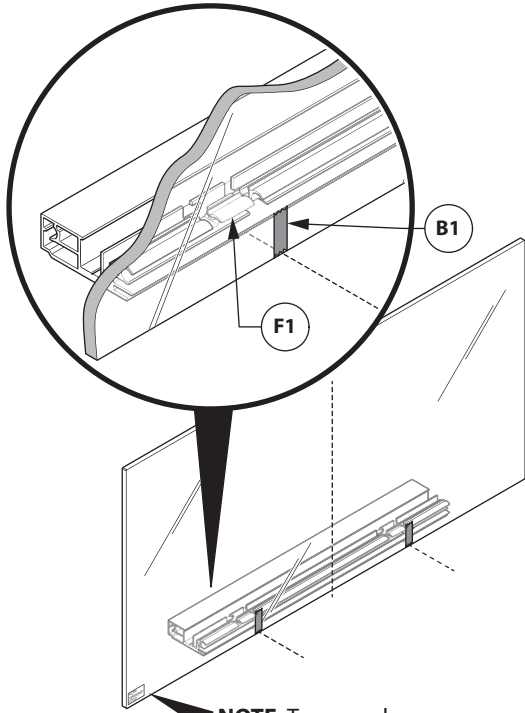


CUSTOMER SERVICE PHONE: 1-800-426-8562

2

**Use tape (B1) to mark location**

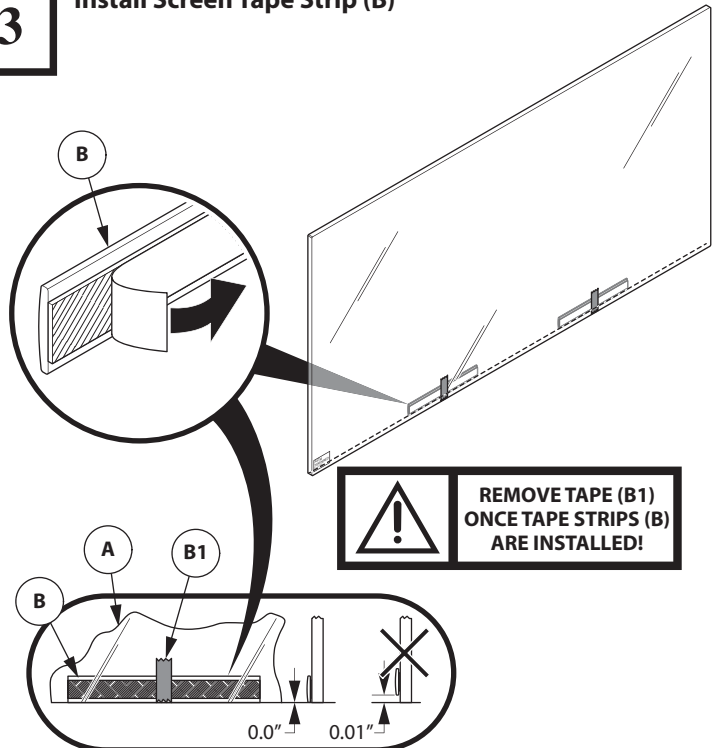
**NOTE:** Locate tape (B1) centering with each tab shown on base (F1).



**NOTE:** Tempered Glass Logo is always on the bottom.

3

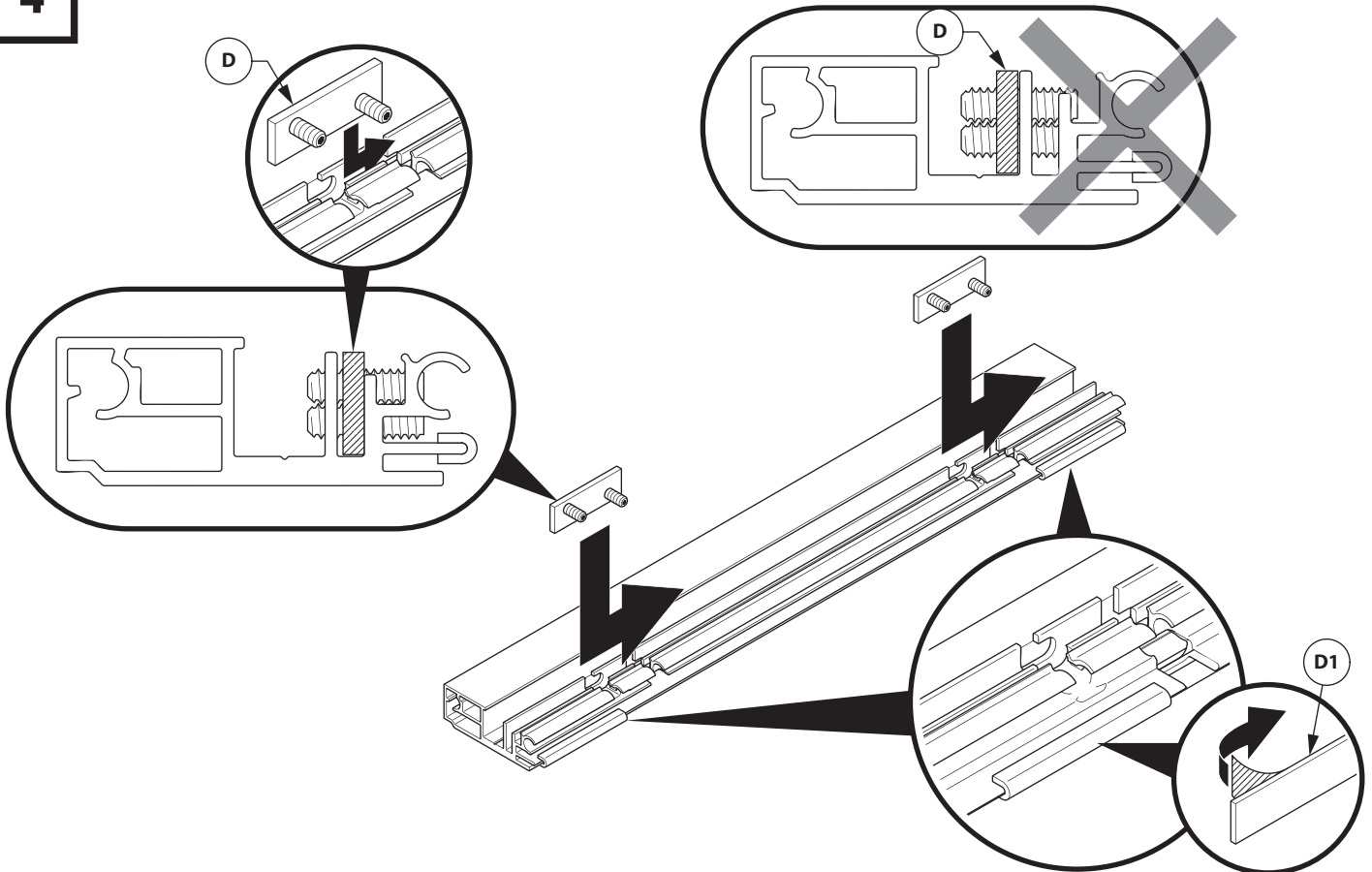
**Install Screen Tape Strip (B)**



**NOTE:** Center screen tape strips (B) with center of tape (B1) and apply flush with bottom of screen (A).

4

**Install Nut Plate Assembly (D) and Foam Tape (D1)**



CUSTOMER SERVICE PHONE: 1-800-426-8562

**HAWORTH**

E.C.O. No: 420-126

Page: 2 of 4

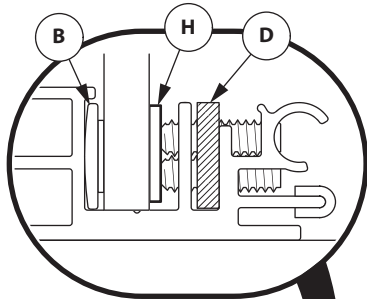
Part No: 7029-9923

Rev: 2

5

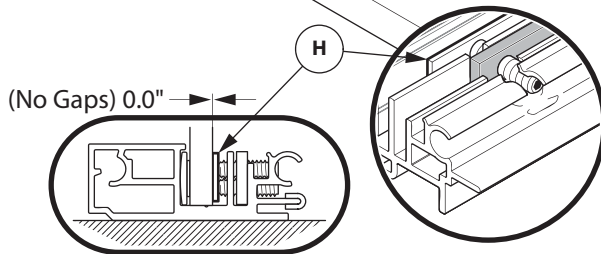
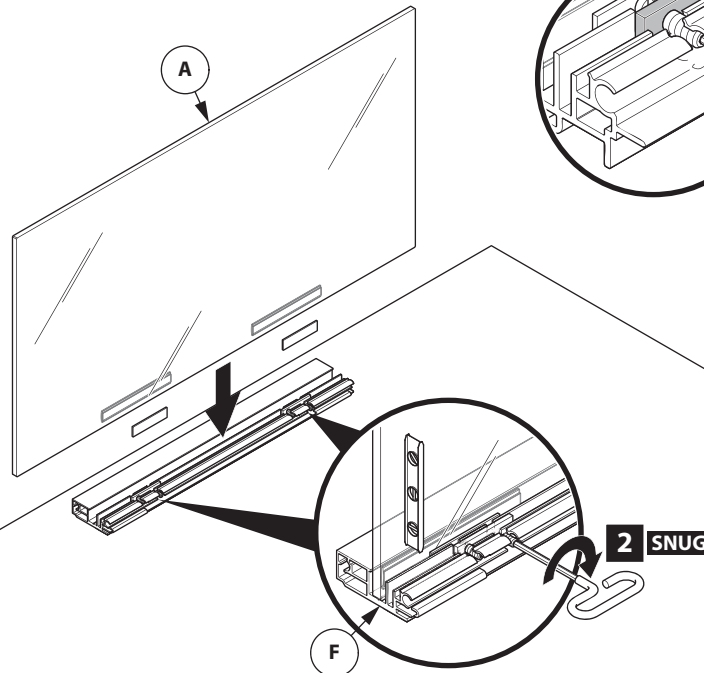
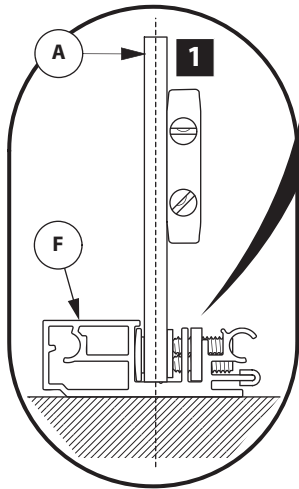
**Install screen (A)**

**NOTE:** Make sure retainer (H) is in between screen and set screws of nut plate (D).



	<b>WARNING! WARNING!</b>
	TIGHTEN FIRMLY OR UNTIL ALLEN WRENCH FLEWS. (NOT TO EXCEED 15in lbs)

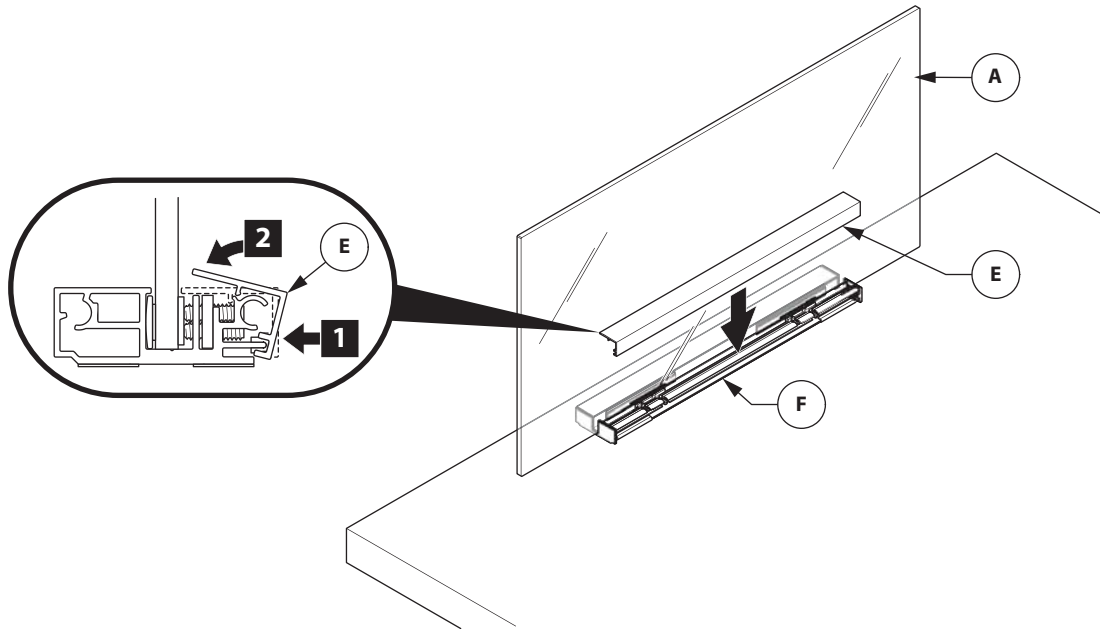
**PLUMB SCREEN (A)**



<b>⚠ CAUTION</b>	
	IF REUSING RETAINER (H) MAKE SURE THE MARKED SIDE IS FACING AWAY FROM THE GLASS. CAN CAUSE FAILURE OF GLASS SCREENS

6

**HINT:** Make sure the screen (A) is aligned, plumb, and centered **BEFORE** installing covers (E).



7

