

PLACES™ GRID AND ACCESSORIES
Installation Instructions

GRID INSTALLATION

NOTE: Grid must be installed on panel prior to installing accessories.

1. Position task light cord (if needed) in vertical grid channel.
2. Attach grid to panel by inserting grid brackets into panel side rail slots and sliding downward (Fig.1). Make certain that the mounting height is the same at both ends and grid brackets are seated firmly in panel side rails.

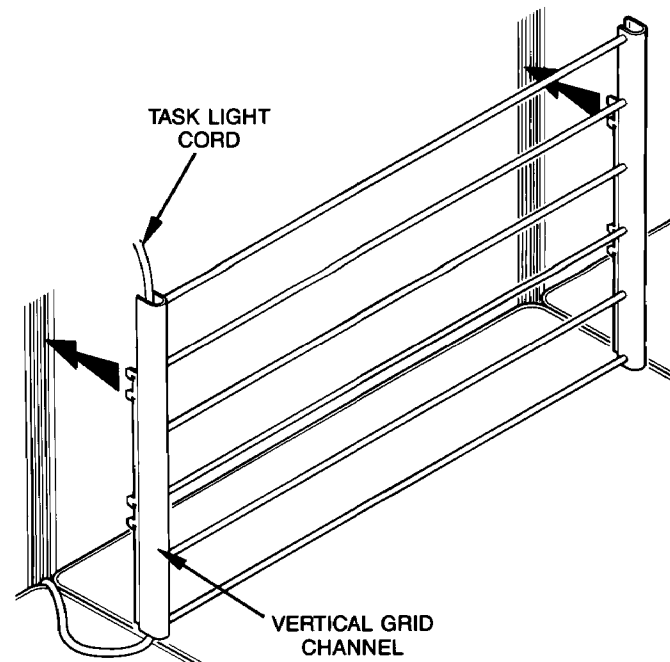


FIG. 1

MAILBOX TRAY, GRID MOUNT

1. Attach wire support to bottom side of mailbox tray. Place one end of the wire support into the clip located on underside of tray, then compress support wire allowing it to engage in opposite clip (Fig.2).
2. Install mailbox assembly on panel mounted grid, by placing the back rolled under edge around horizontal grid bar. Make certain tray is securely attached to grid and support wire is placed against horizontal grid bar. If stacking two or more mailbox trays together, engage lower portion of wire supports through slots in lower tray and against horizontal grid bar (Fig.3).

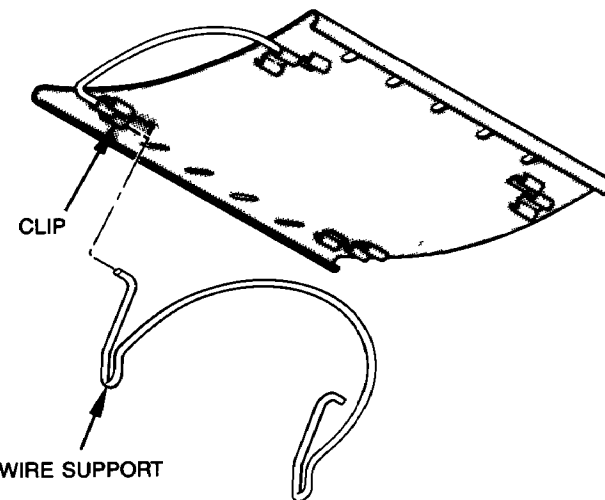


FIG. 2

LOOKING UP AT BOTTOM OF MAILBOX TRAY

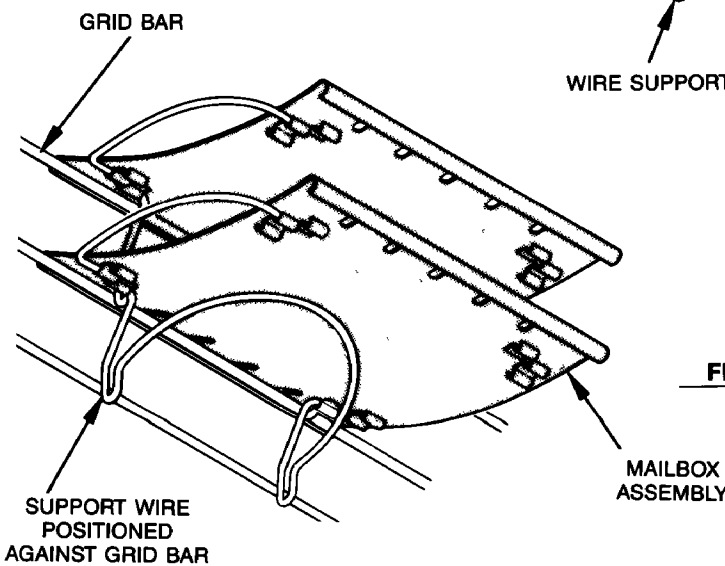


FIG. 3

SUPPORT WIRE POSITIONED AGAINST GRID BAR

MAILBOX ASSEMBLY

PHONESTAND

1. Attach grid mount to tray assembly using shoulder screw and washer (Fig.4). Tighten shoulder screw with 5/32" hex wrench.
2. Install phonestand assembly on panel mounted grid. The grid mount bracket will "straddle" both an upper and lower horizontal grid bar when installed (Fig.5).

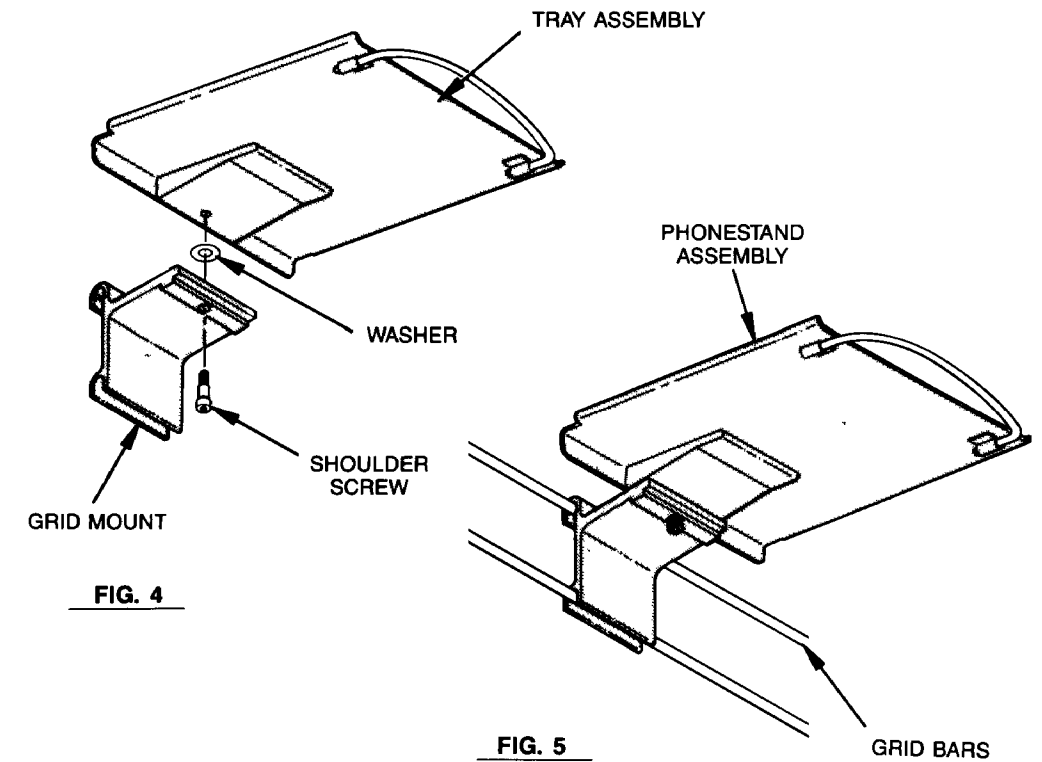


FIG. 4

FIG. 5

REFERENCE TRAY

1. Attach wire support to bottom side of reference tray. Place one end of the wire support into the clip located on underside of tray, then compress support wire allowing it to engage in opposite clip (Fig.6).
2. Install reference tray assembly on panel mounted grid, by placing the back rolled under edge around the horizontal grid bar. Make sure tray is securely attached to grid and support wire is positioned against horizontal grid bar. If stacking two or more reference trays together, engage lower portion of wire supports through slots in lower tray and against horizontal grid bar (Fig.7).

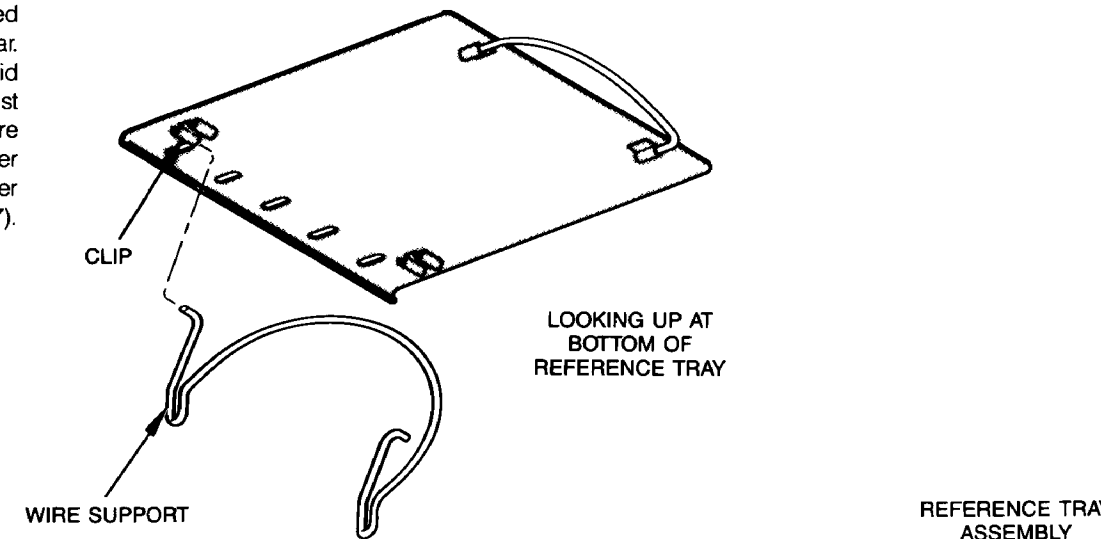


FIG. 6

LOOKING UP AT BOTTOM OF REFERENCE TRAY

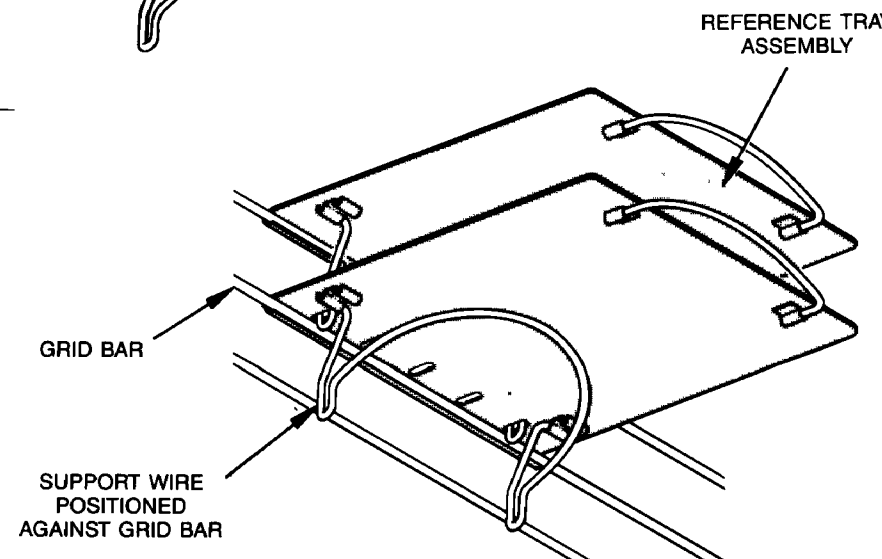


FIG. 7

SUPPORT WIRE POSITIONED AGAINST GRID BAR

REFERENCE TRAY ASSEMBLY

CUSTOMER SERVICE PHONE: 1-800-426-8562