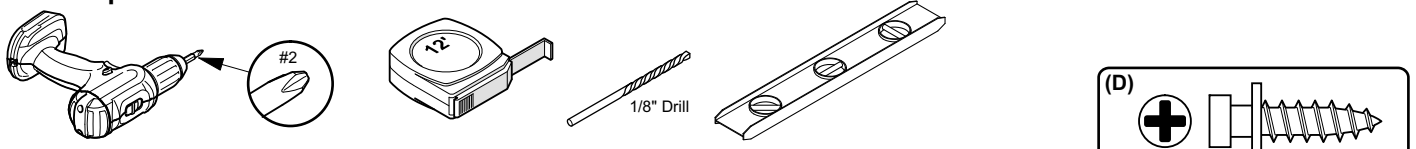


ADAPTABLE

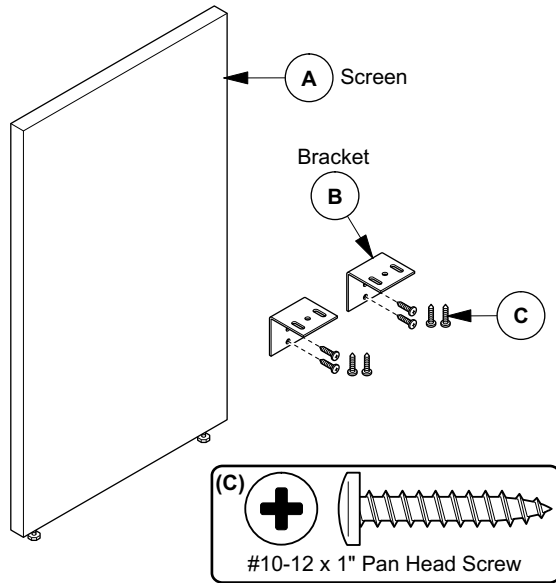
Structural Screens

Installation Instructions

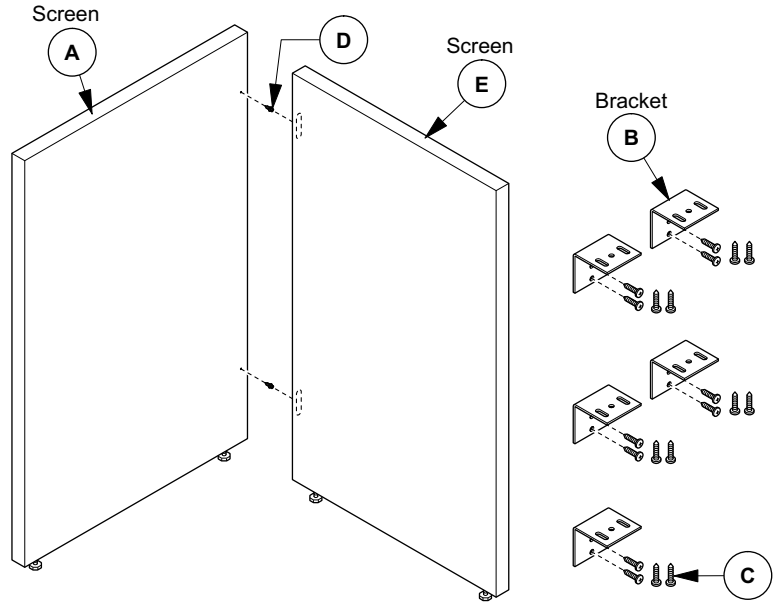
Tools Required



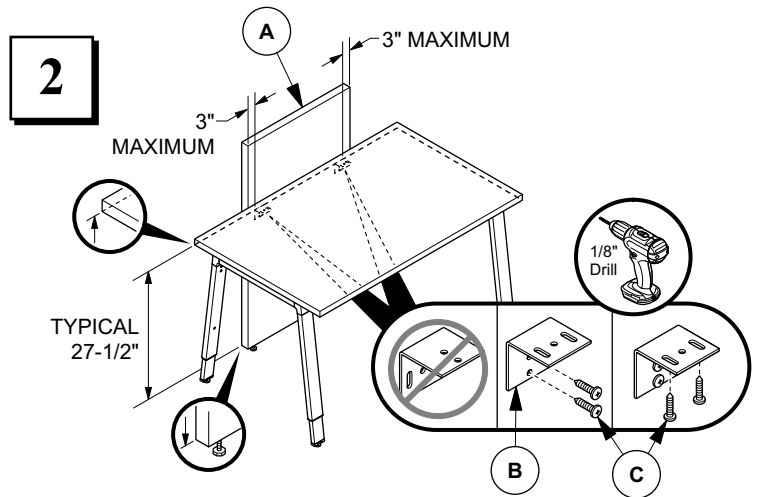
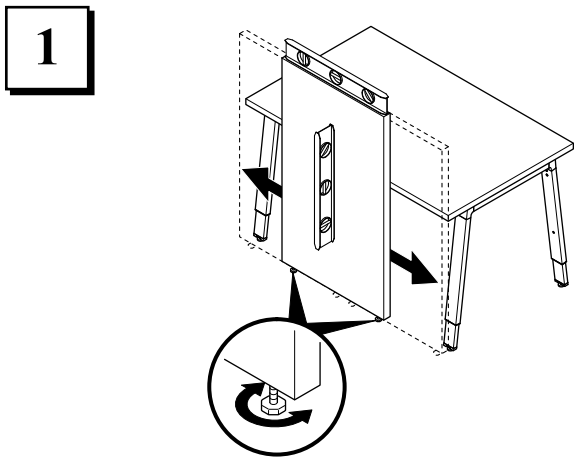
STRAIGHT SCREEN



L - SCREEN



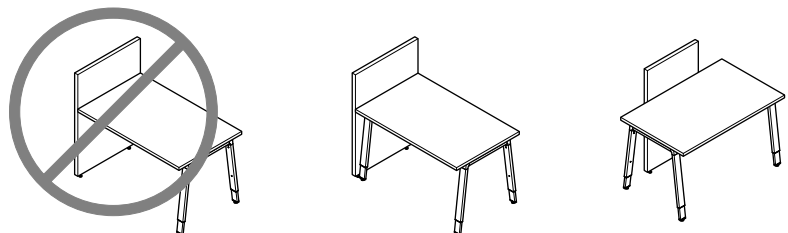
STRAIGHT SCREEN APPLICATION



⚠ CAUTION



**STRAIGHT SCREENS
ARE NOT USED
TO SUPPORT
WORKSURFACES!**



CUSTOMER SERVICE PHONE: 1-800-426-8562

HAWORTH®

E.C.O. No: 420-033

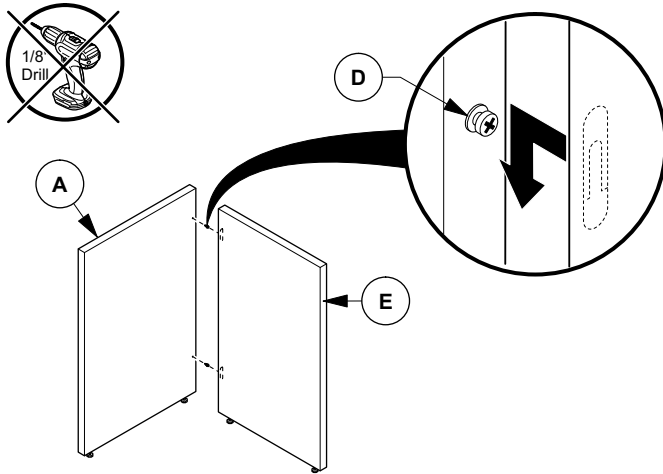
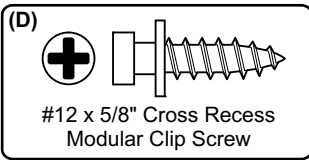
Page: 1 of 2

Part No: 7029-9733

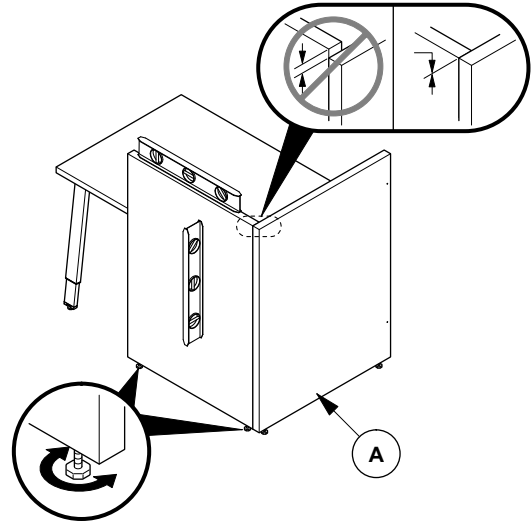
Rev: A

L-SCREEN APPLICATION

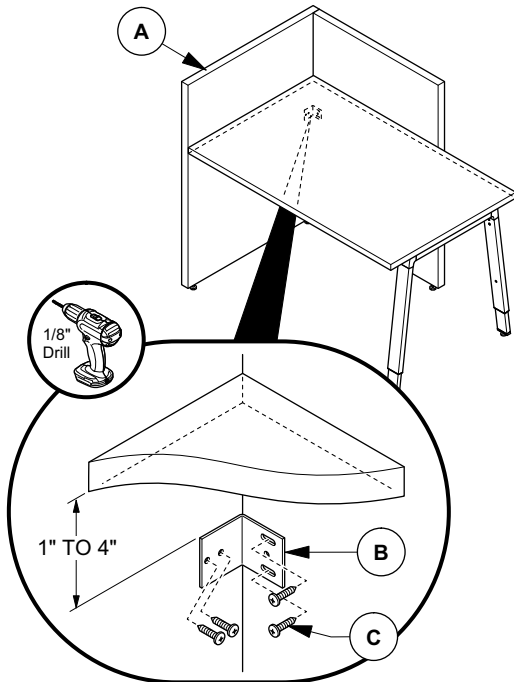
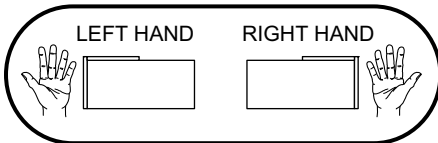
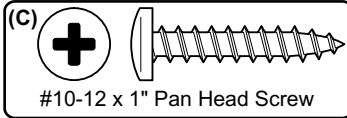
1



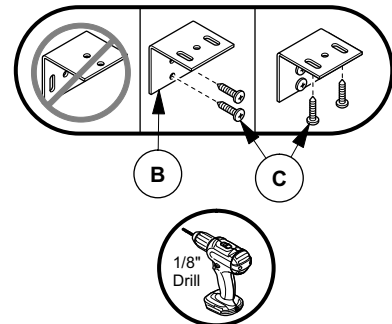
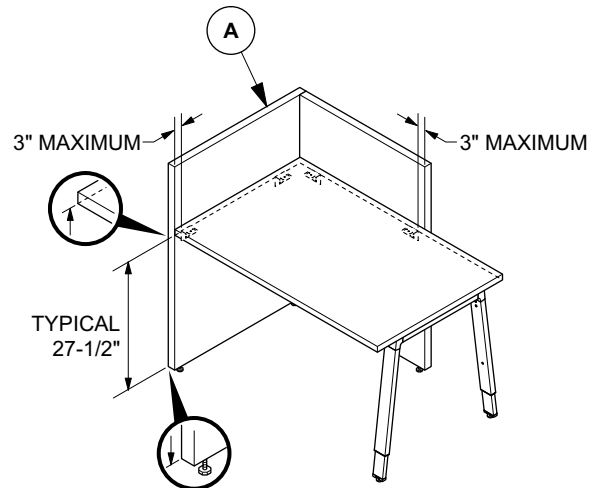
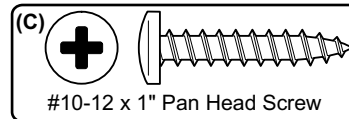
2



3



4



CUSTOMER SERVICE PHONE: 1-800-426-8562