

**ACCOLADE® COMMON ARM REPLACEMENT
(T-FIXED ARM, C-ARM (CANTILEVER), FLIPPER ARM)
Installation Instruction**

Tools Required

- Power driver
- T-40 bit
(removes existing screws)
(installs replacement screws)

Installation

The following instructions cover replacement of: T-fixed arm, C-arm (cantilever), or Flipper arm on mid-back and high-back Accolade chair.

Read instructions completely before installation of product.

1. Remove existing arms and discard arms and screws.

NOTE: Always use the additional bracket provided when installing the C-arm and the Flipper arm (Figs. 2, 3).

IMPORTANT: Washers used as needed to maintain balance and symmetry of arm assembly.

2. Refer to illustrations for position of bracket and correct hole use location for various arm and chair combinations (Figs. 4, 5, 6, 7).

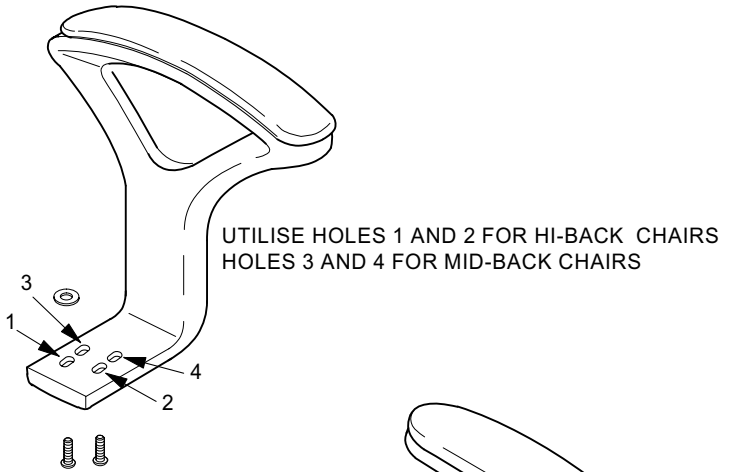


FIG. 1 T-FIXED ARM

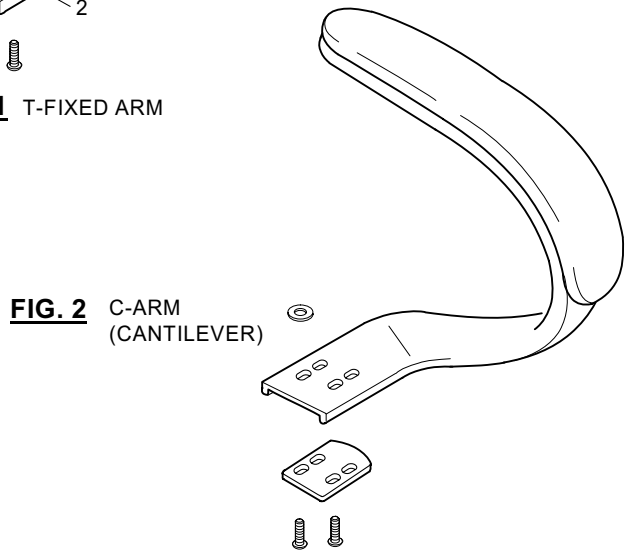


FIG. 2 C-ARM (CANTILEVER)

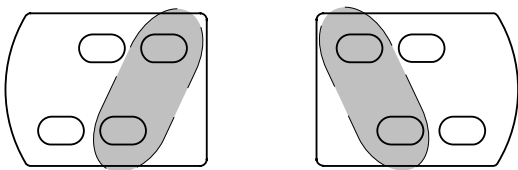


FIG. 4 UTILIZE HOLES IN SHADED AREA WHEN ATTACHING ARMS TO HI-BACK CHAIR

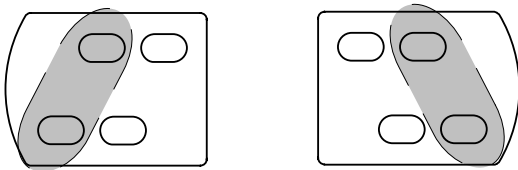


FIG. 5 UTILIZE HOLES IN SHADED AREA WHEN ATTACHING ARMS TO MID-BACK CHAIR - OR- IMPROVE XL

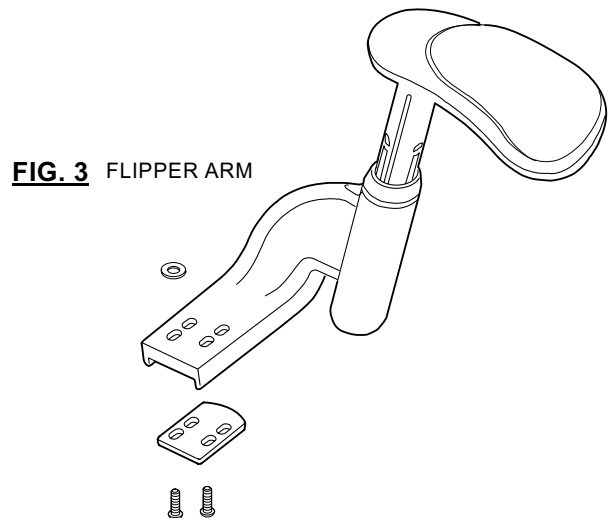


FIG. 3 FLIPPER ARM

CUSTOMER SERVICE PHONE: 1-800-426-8562

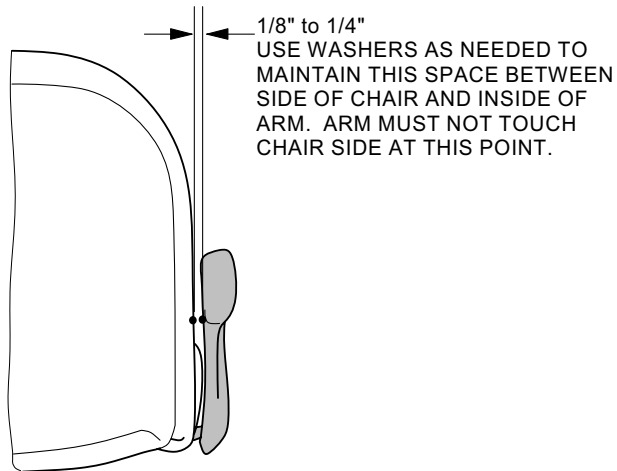


FIG. 6

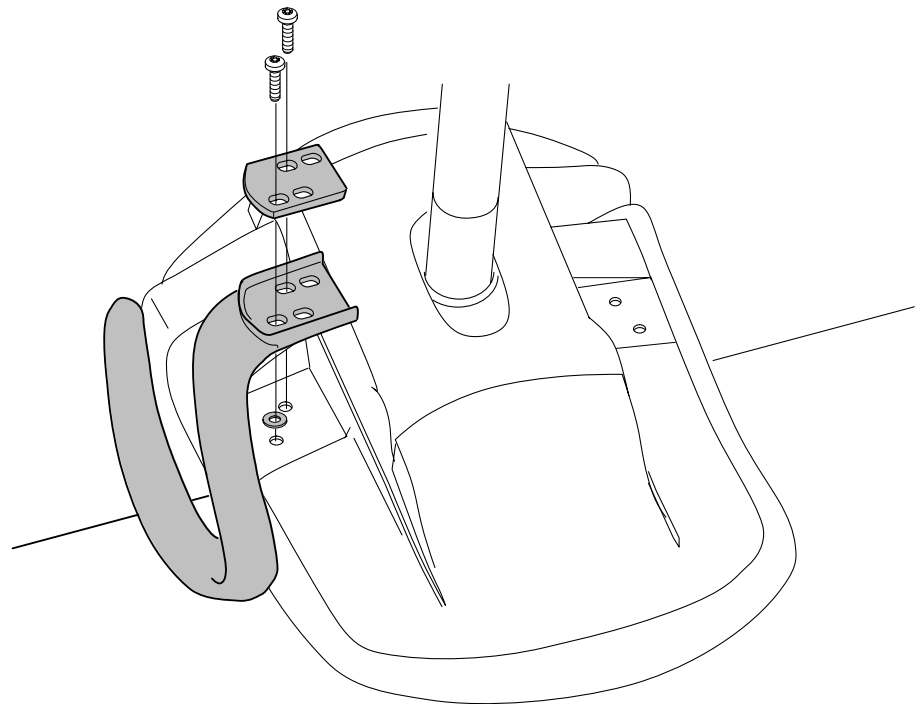


FIG. 7 TYPICAL ARM ATTACHMENT: C-ARM (CANTILEVER) TO BE ATTACHED TO MID-BACK CHAIR.
NOTE BRACKET PLACEMENT AND USE OF WASHERS
NOTE ARM AND BRACKET HOLES USED FOR MID-BACK CHAIR.