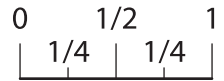
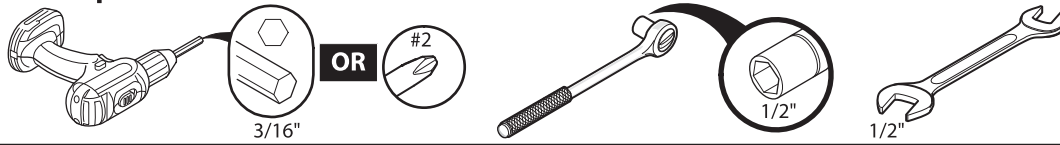


Arm Frame Replacement - Side Chair
Installation Instructions

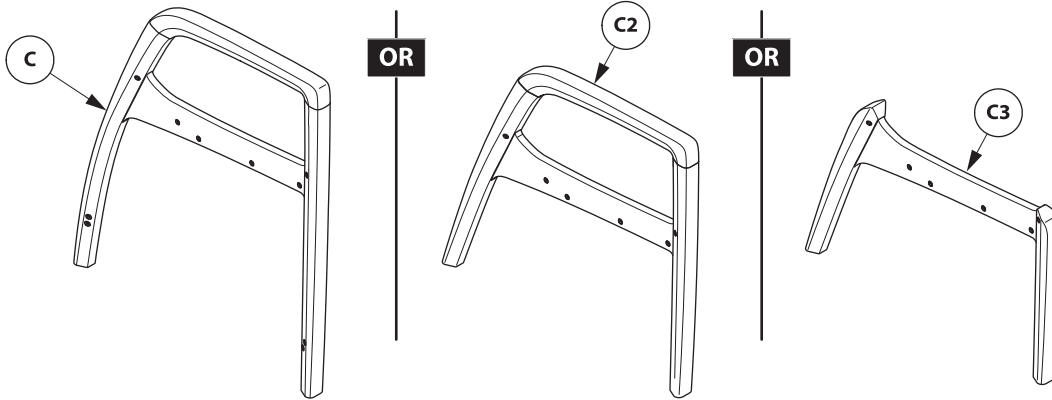


Scale 1 : 1

Tools Required

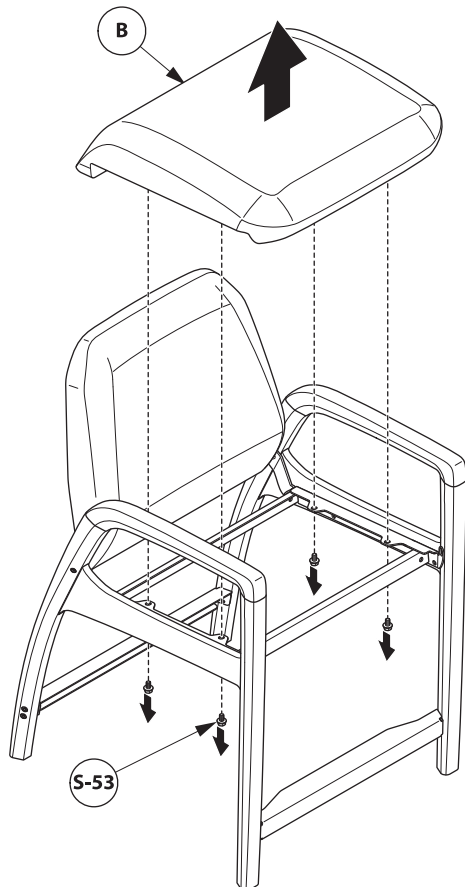
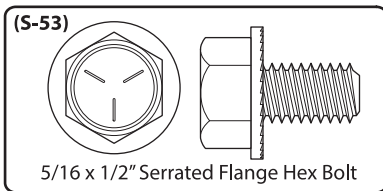


Parts



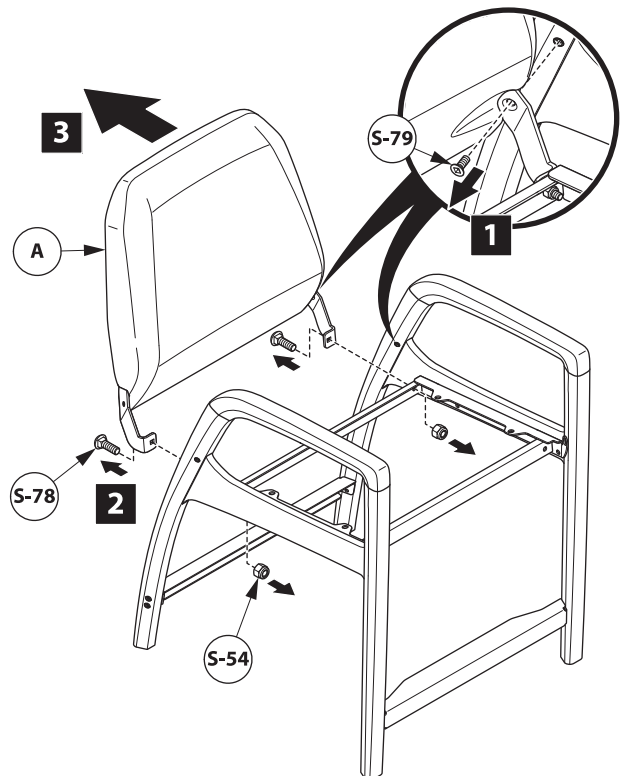
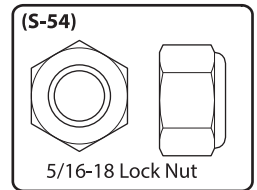
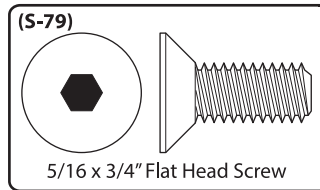
Seat Removal

1



Back Removal

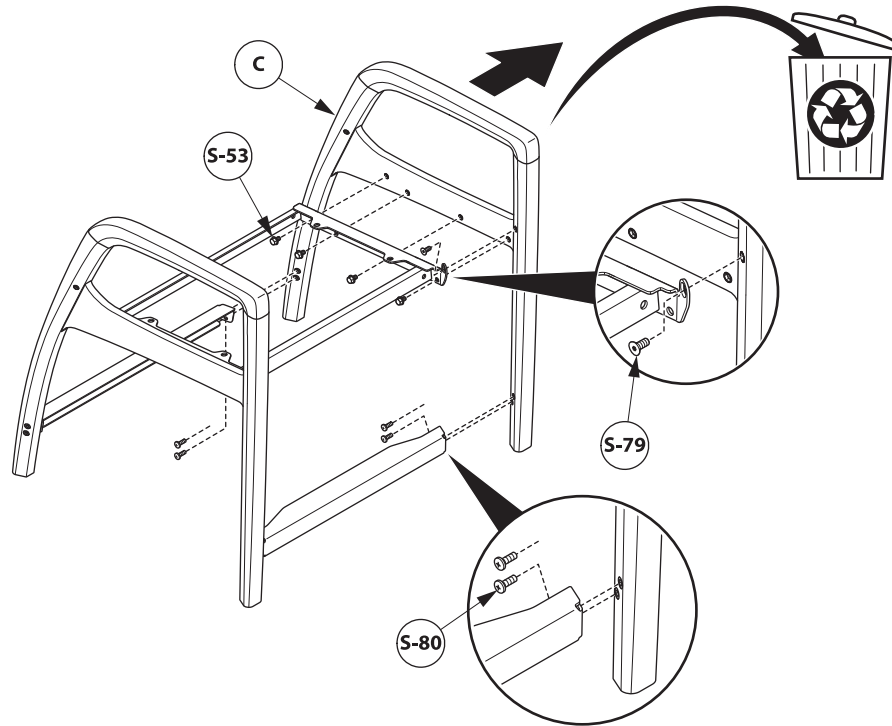
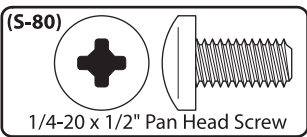
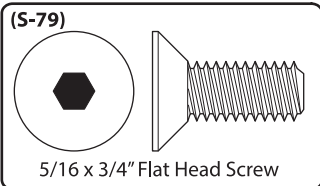
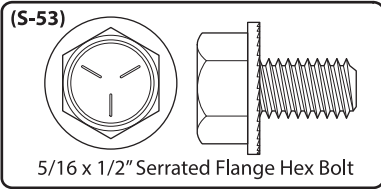
2



CUSTOMER SERVICE PHONE: 1-800-426-8562

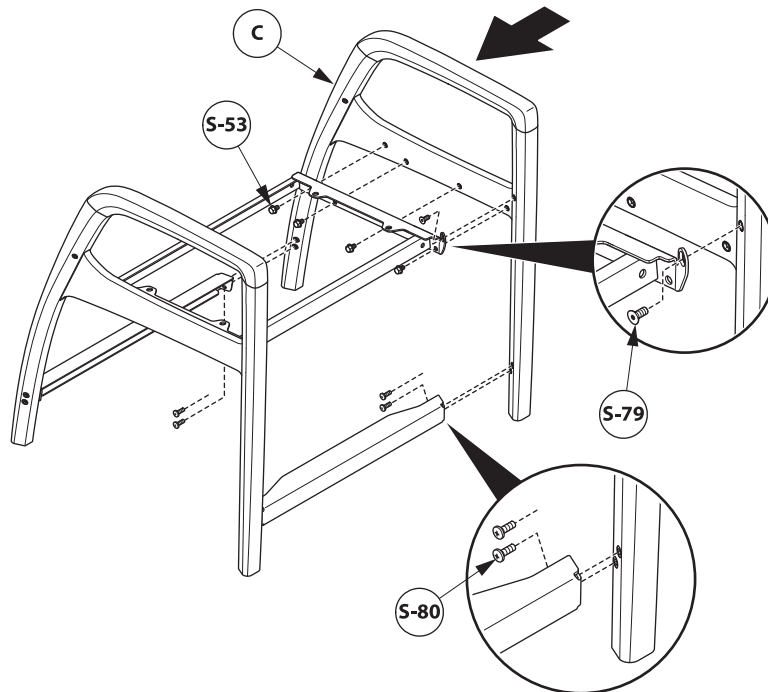
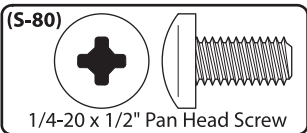
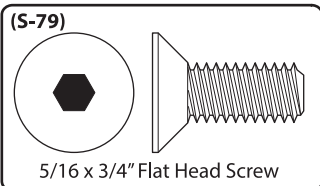
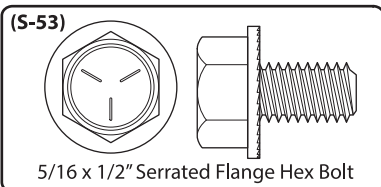
Leg Removal

3a



Leg Installation

4a



CUSTOMER SERVICE PHONE: 1-800-426-8562

HAWORTH[®]

E.C.O. No: 525-001

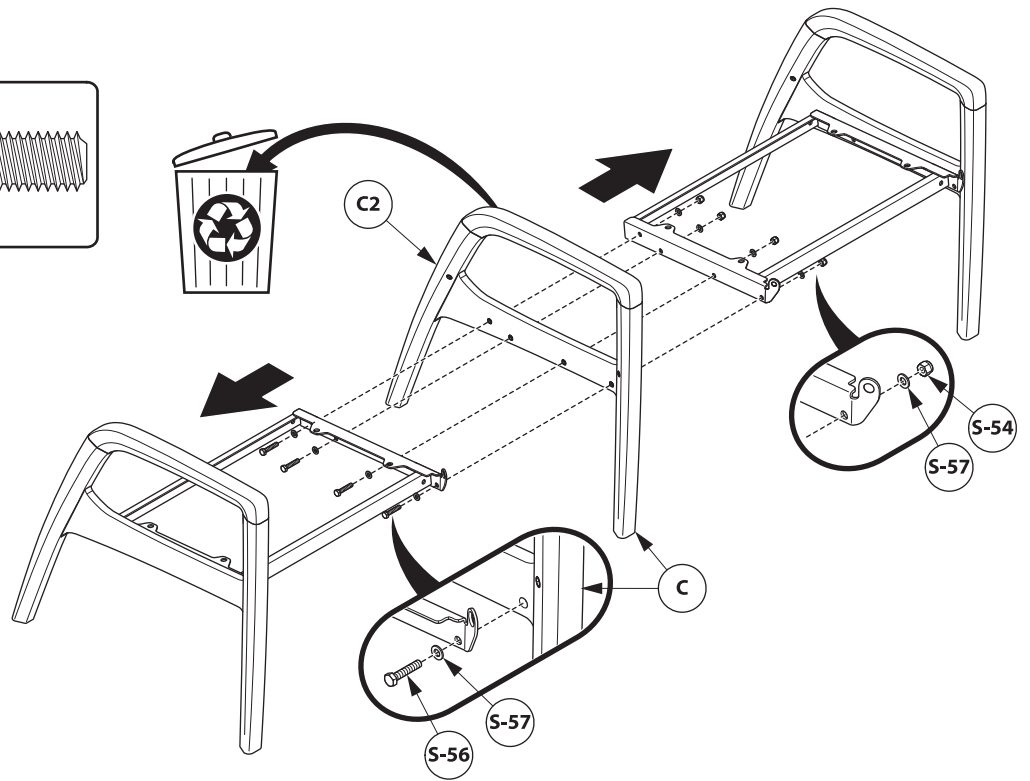
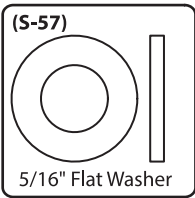
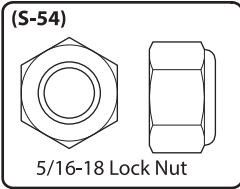
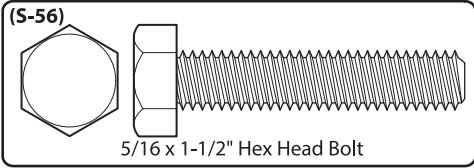
Page: 2 of 4

Part No: 6100-0041

Rev: 1

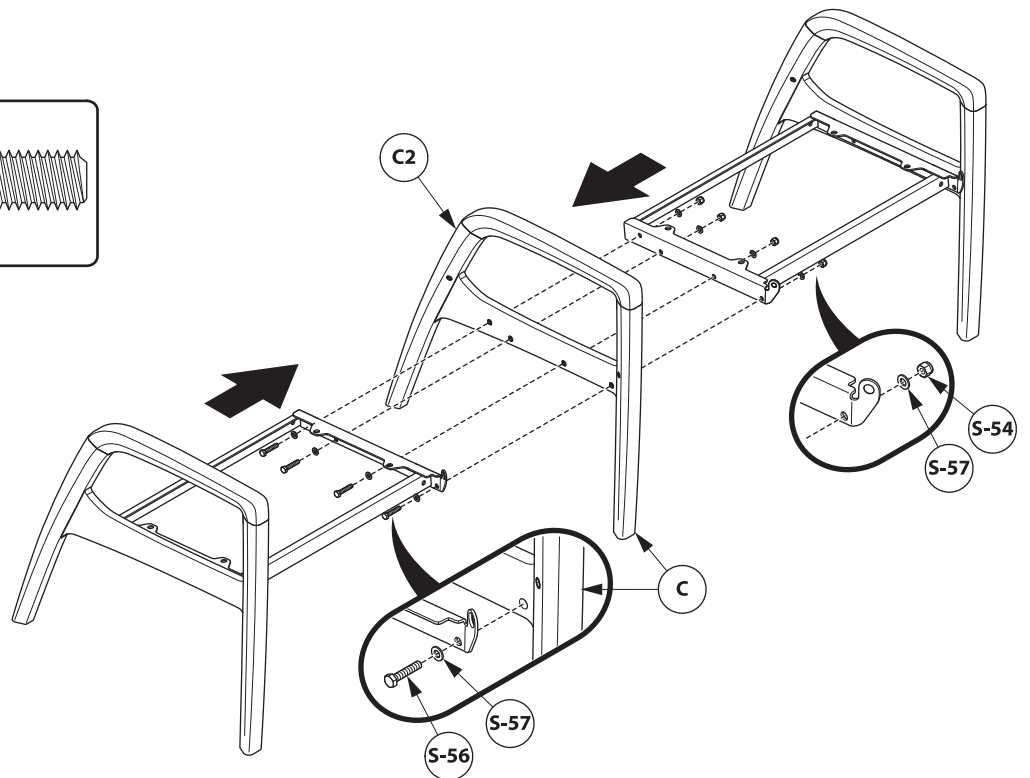
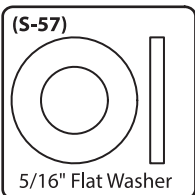
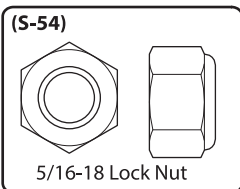
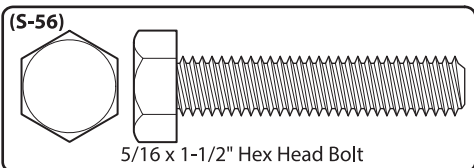
Tandem Leg Removal

3b



Tandem Leg Installation

4b



CUSTOMER SERVICE PHONE: 1-800-426-8562

HAWORTH[®]

E.C.O. No: 525-001

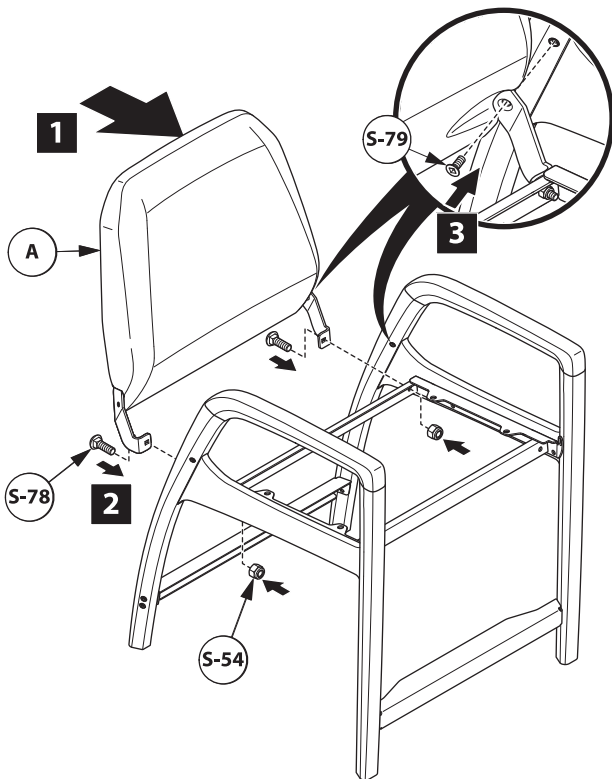
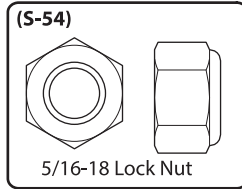
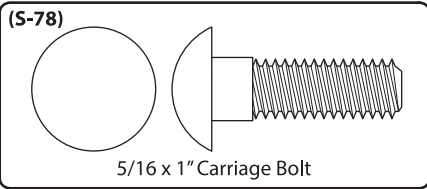
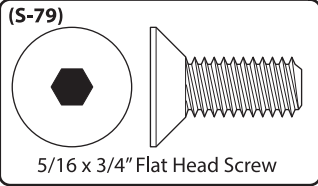
Page: 3 of 4

Part No: 6100-0041

Rev: 1

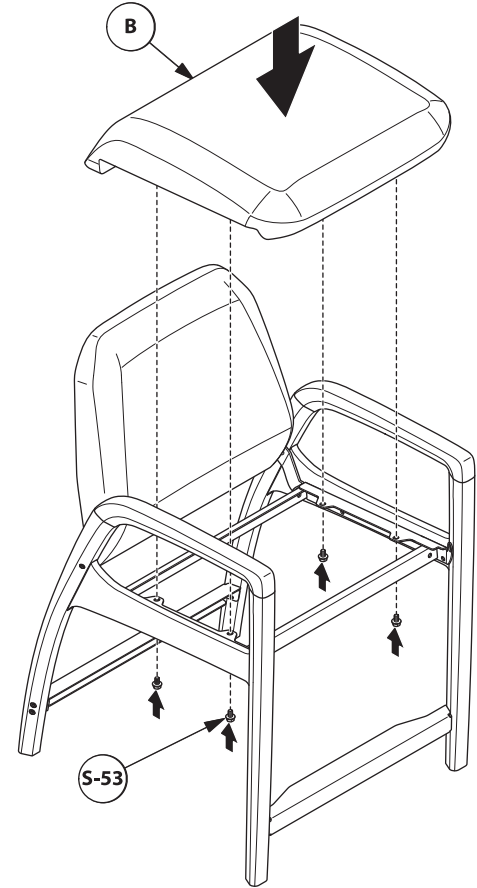
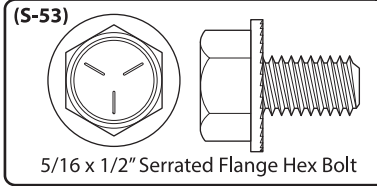
Back Installation

5



Seat Installation

6



CUSTOMER SERVICE PHONE: 1-800-426-8562

HAWORTH[®]

E.C.O. No: 525-001

Page: 4 of 4

Part No: 6100-0041

Rev: 1