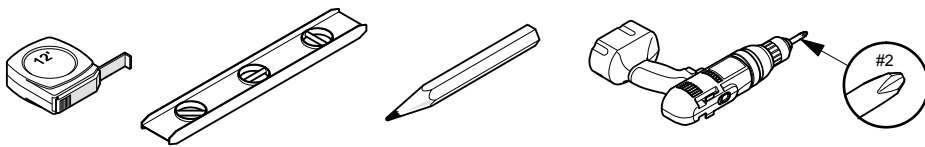
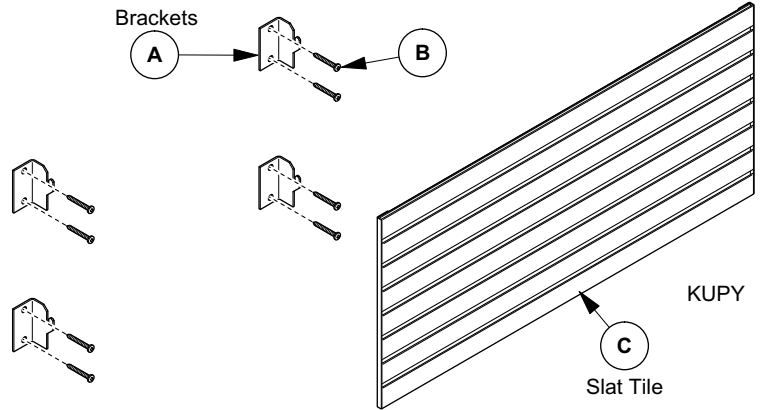
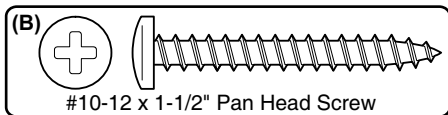


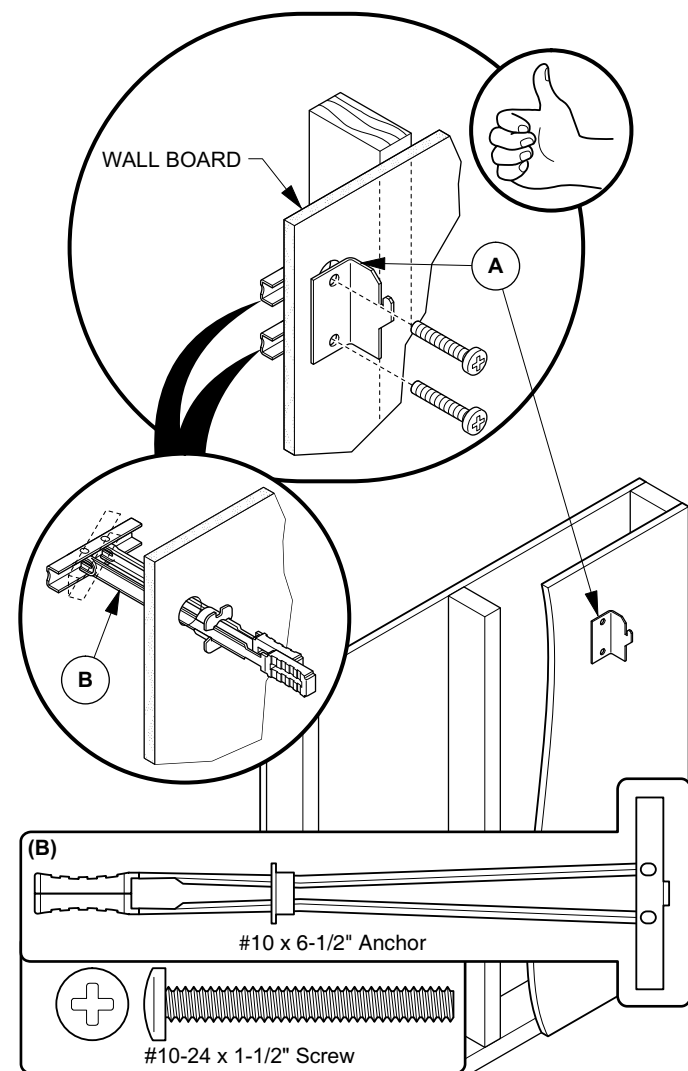
ADAPTABLE
Wall Mount Slat Tile
Installation Instructions



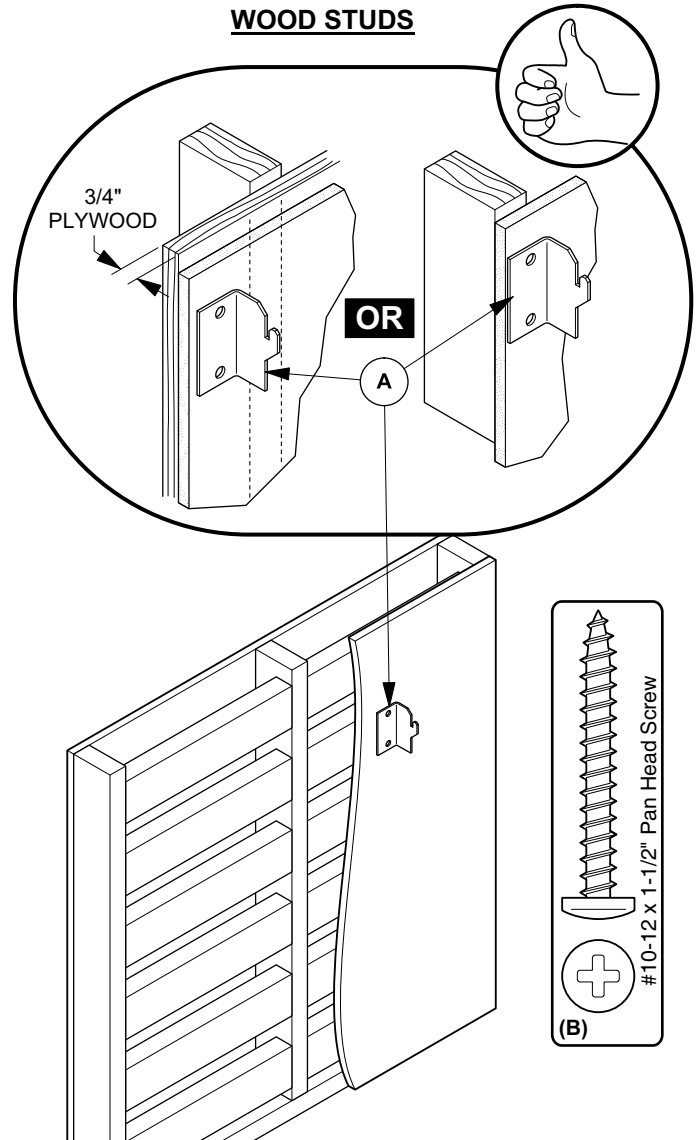
WARNING! Appropriate screws/bolts must be used to attach slat tile brackets to wall. Due to various wall constructions, fasteners are not provided. See "Specific Instructions for Wall Frame Construction" to determine the appropriate attachment method.



WALL MOUNT SLAT TILE ATTACHMENT OPTIONS

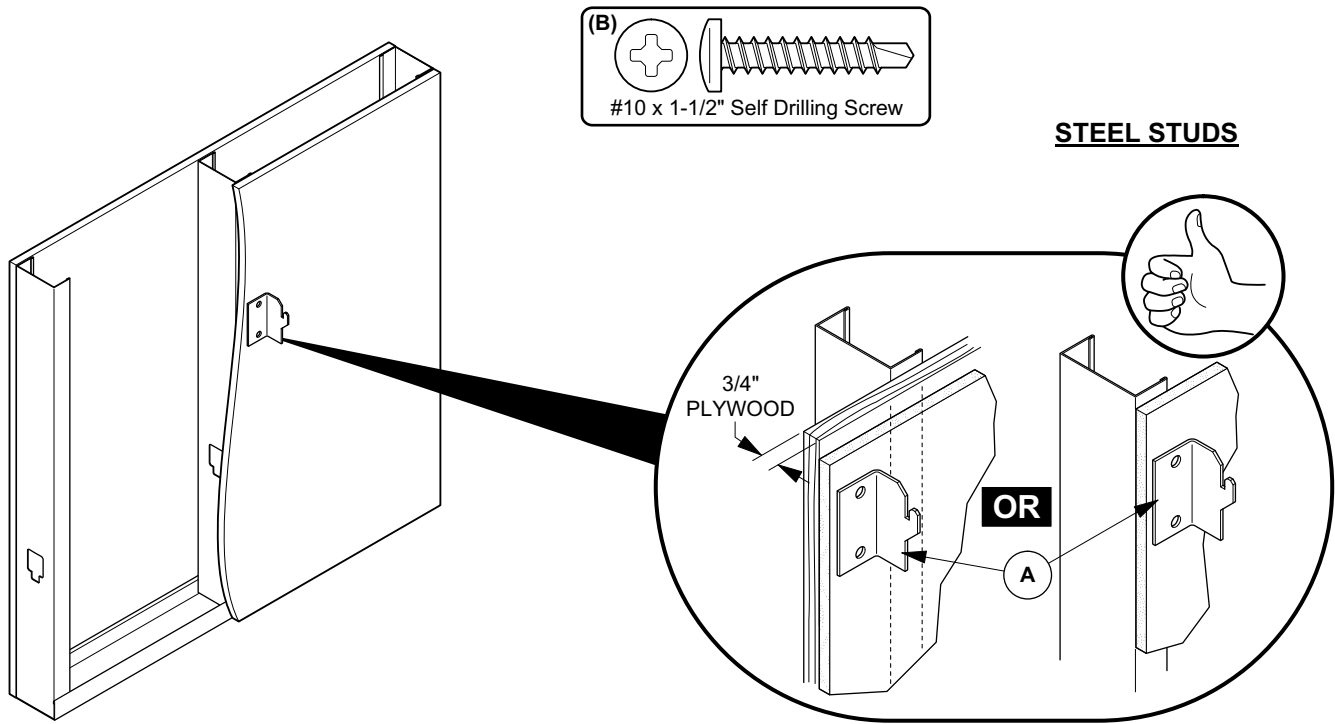


WOOD STUDS



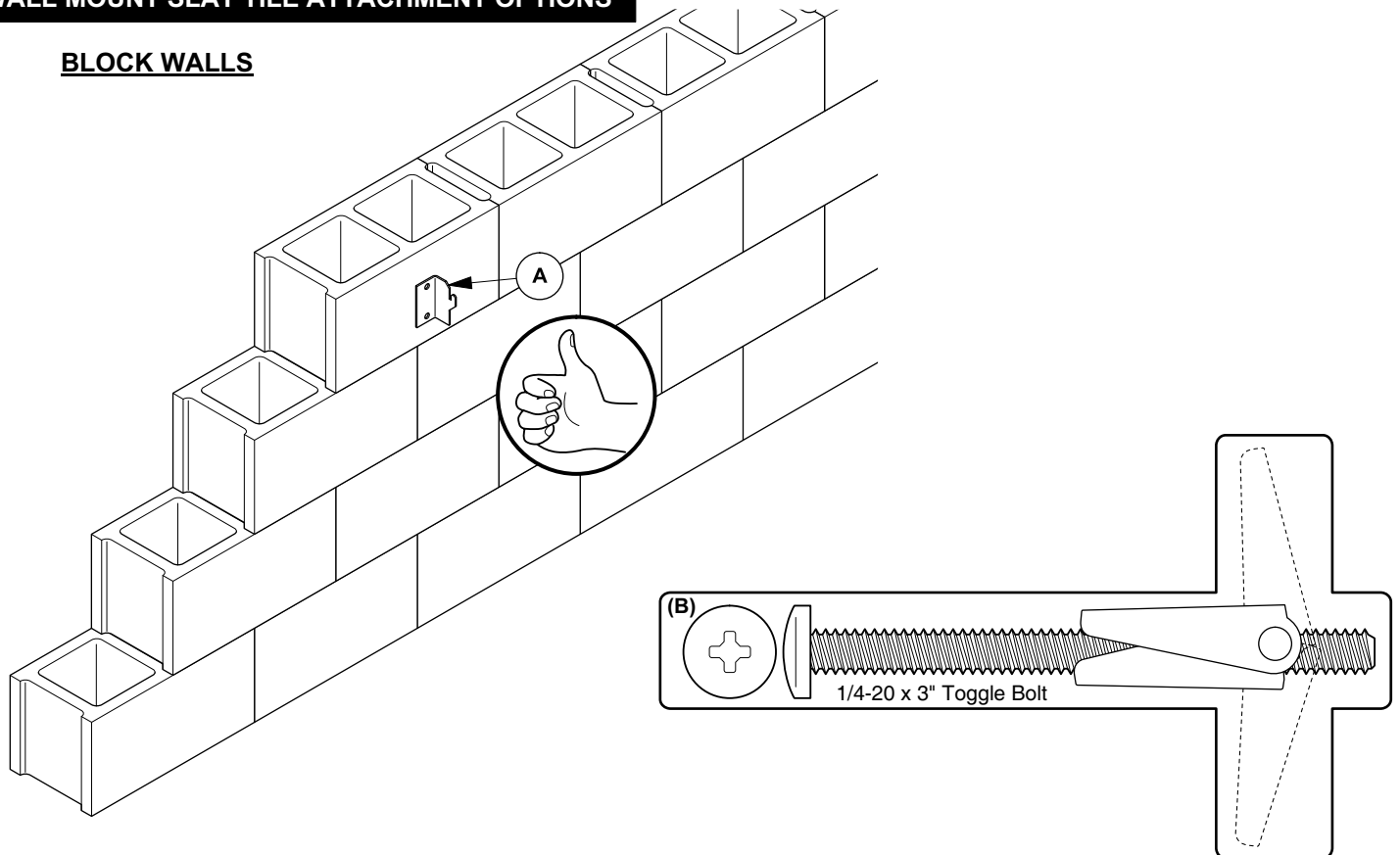
CUSTOMER SERVICE PHONE: 1-800-426-8562

WALL MOUNT SLAT TILE ATTACHMENT OPTIONS



WALL MOUNT SLAT TILE ATTACHMENT OPTIONS

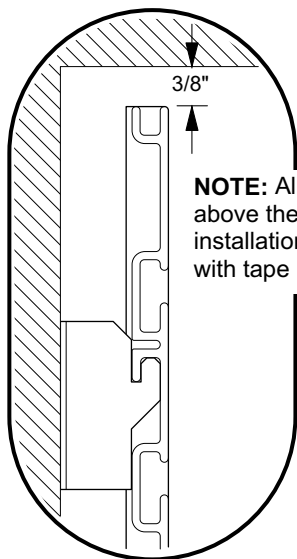
BLOCK WALLS



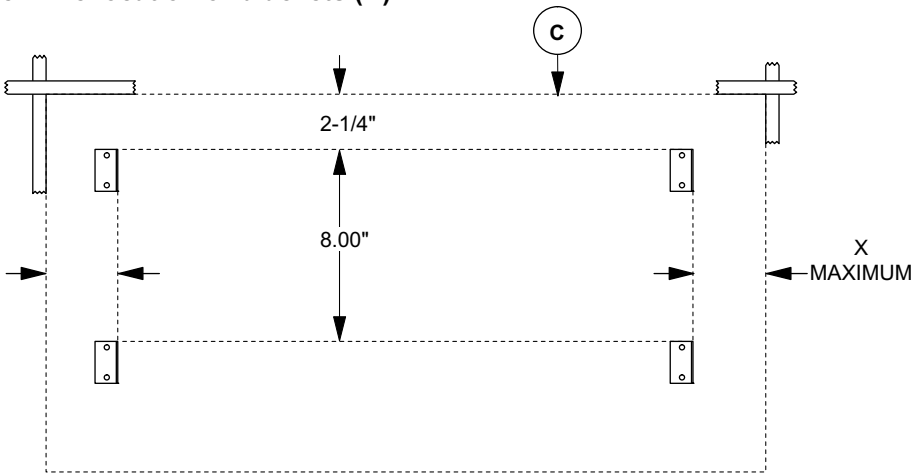
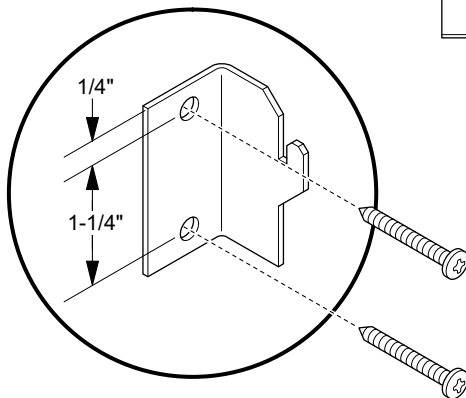
CUSTOMER SERVICE PHONE: 1-800-426-8562

1 Locate slat tile (C) on wall to determine location of brackets (A)

2 Install brackets (A) on wall



NOTE: Allow 3/8" clearance above the board (A) for installation then mark corners with tape (B).



TILE WIDTH	X
18"	3"
24"	4"
30"	5"
36"	6"
42"	7"
48"	8"
60"	10"

3 Install slat tile (C)

NOTE: If necessary adjust screws (D) so that brackets (A) are between the screws (D).

