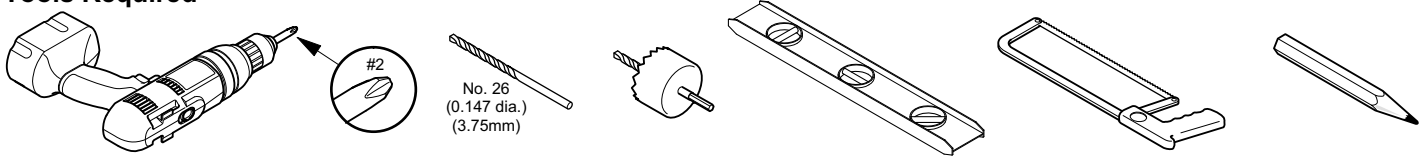


PATTERNS®

Studio Table Top Feeds  
Installation Instructions

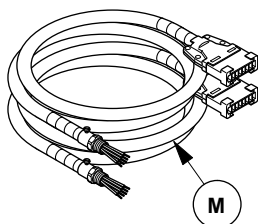
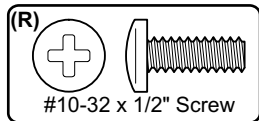
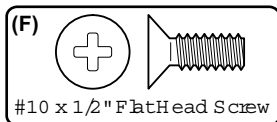
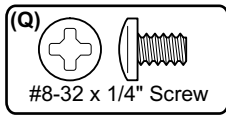
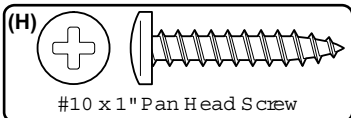
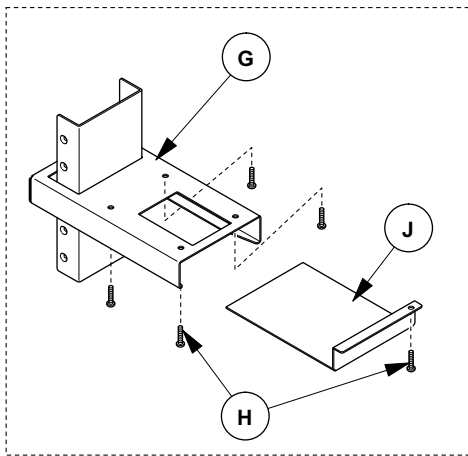
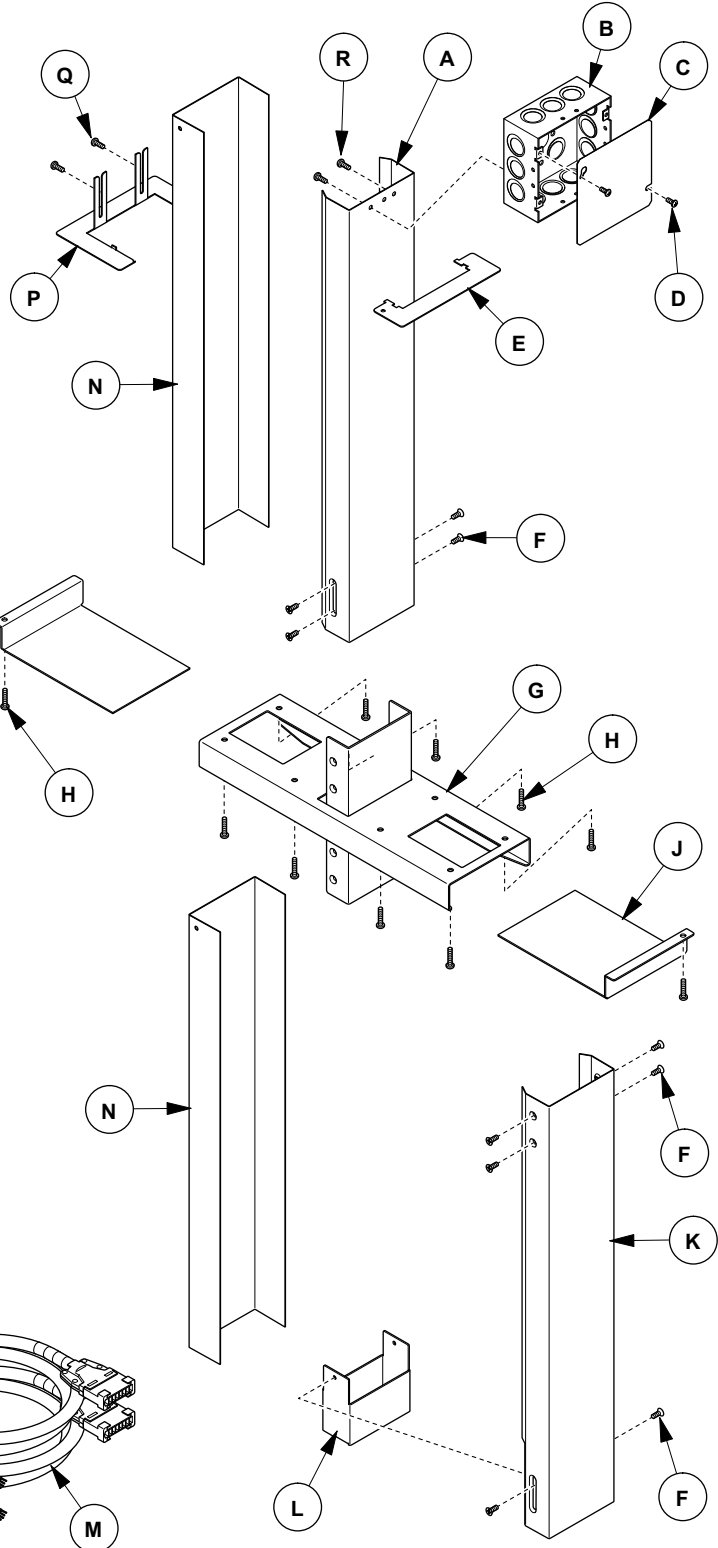
Tools Required



**WARNING:** Do not electrically interconnect modular power distribution systems powered from two different power feed units. This poses a **SHOCK HAZARD** to service personnel and will cause **RISK OF FIRE** due to excessive circulating currents.

**WARNING:** Power to all branch circuits **MUST REMAIN DISCONNECTED** during installation or removal of electrical components and raceway covers to avoid **SHOCK HAZARDS**.

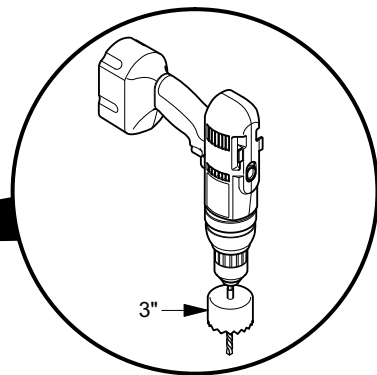
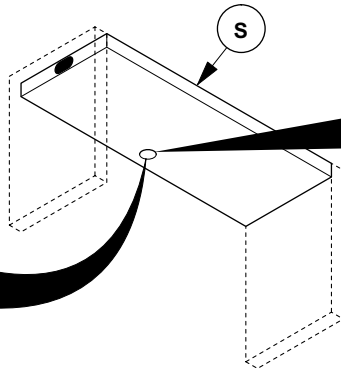
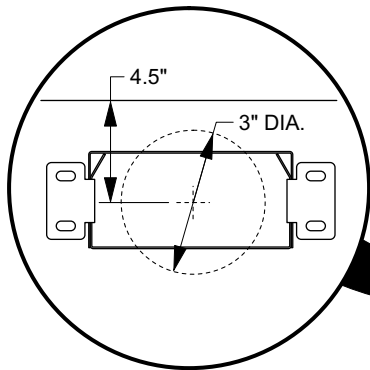
**NOTE:** Connections of this modular power distribution component **MUST** be done by a licensed electrician, who must control the size and loading of each branch circuit. The person or group installing Haworth products is responsible for complying with all applicable building and electrical code requirements.



CUSTOMER SERVICE PHONE: 1-800-426-8562

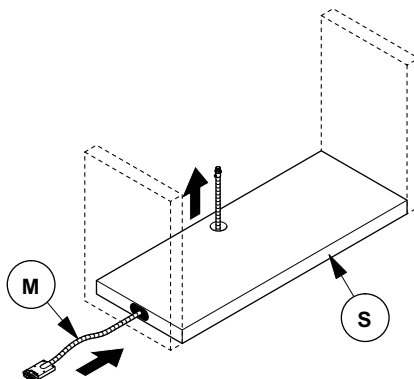
1

Locate and drill 3" hole in top (S)



2

Route harness (M)

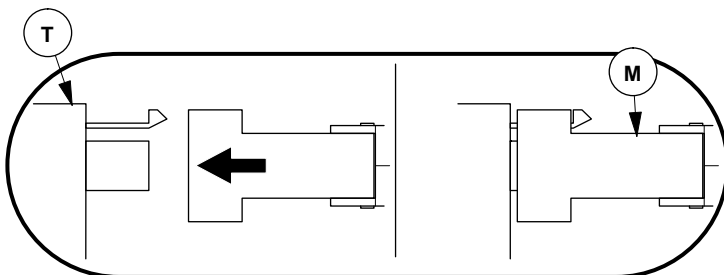
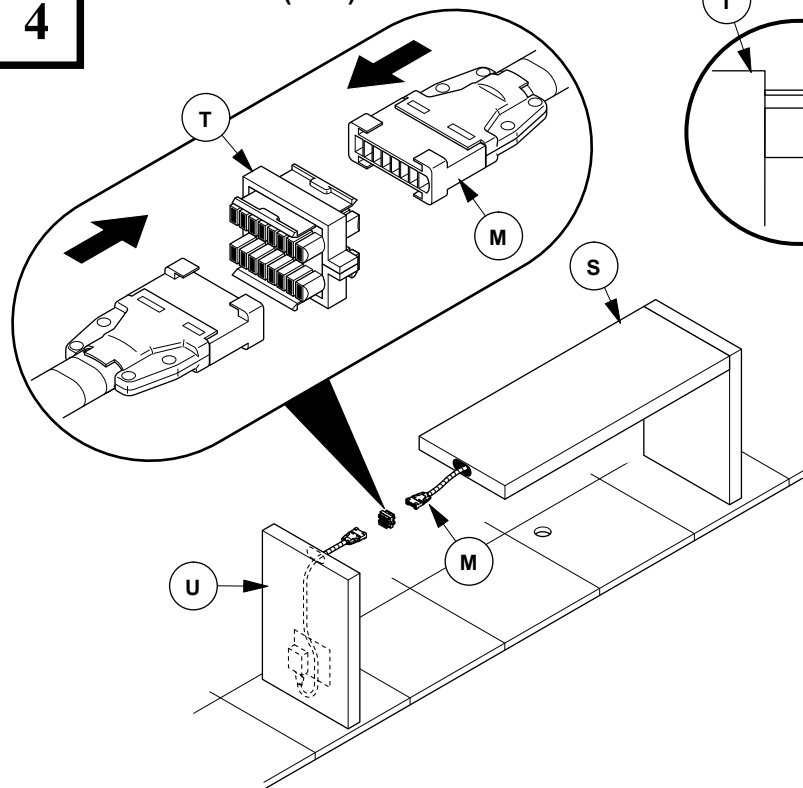


3

Snap together harness (M)

4

Connect slabs (S&U)



CUSTOMER SERVICE PHONE: 1-800-426-8562

HAWORTH®

E.C.O. No: 298-451

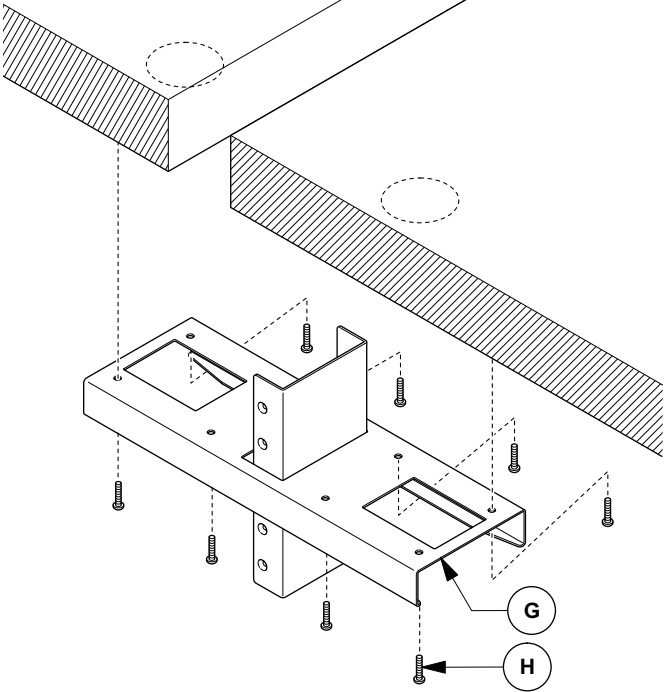
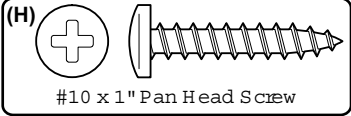
Page: 2 OF 7

Part No: 7029-9797

Rev: A

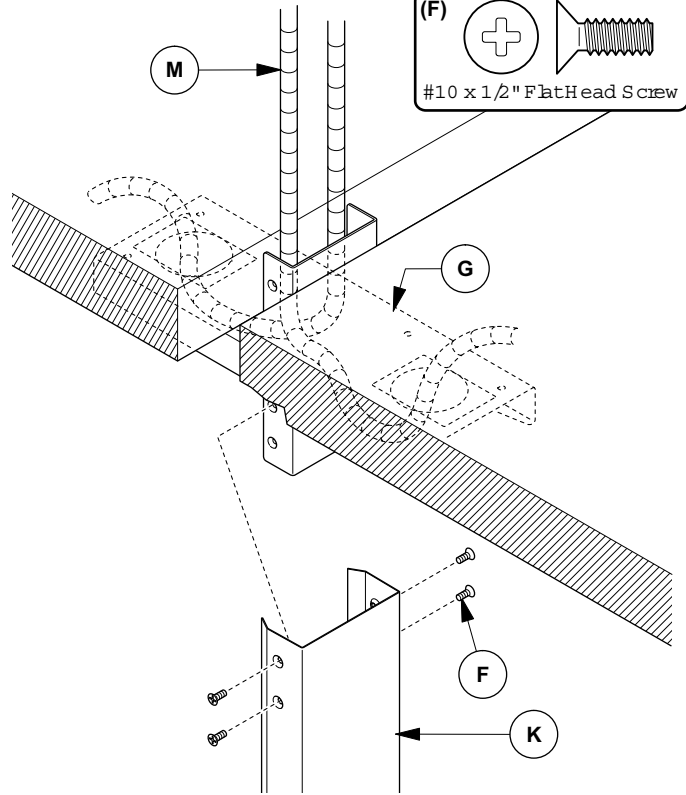
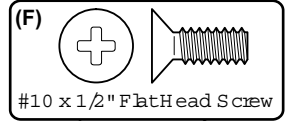
5

Install bracket (G)



6

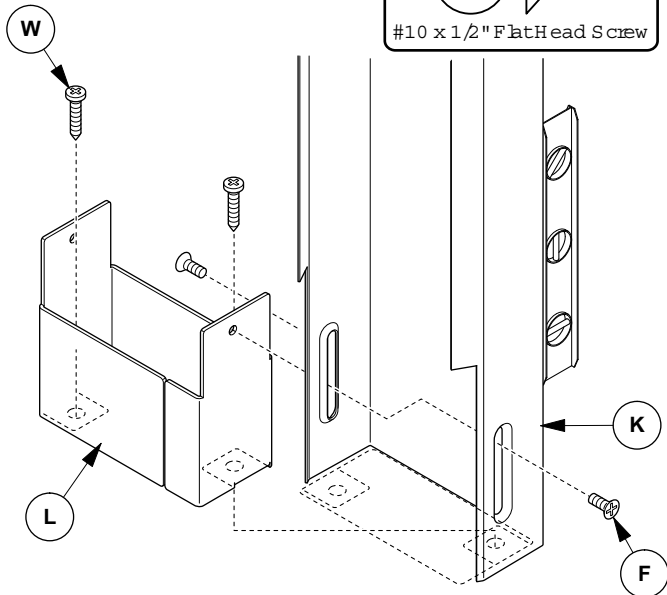
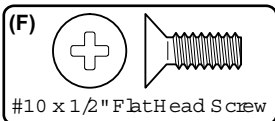
Install inner cover (K)



7

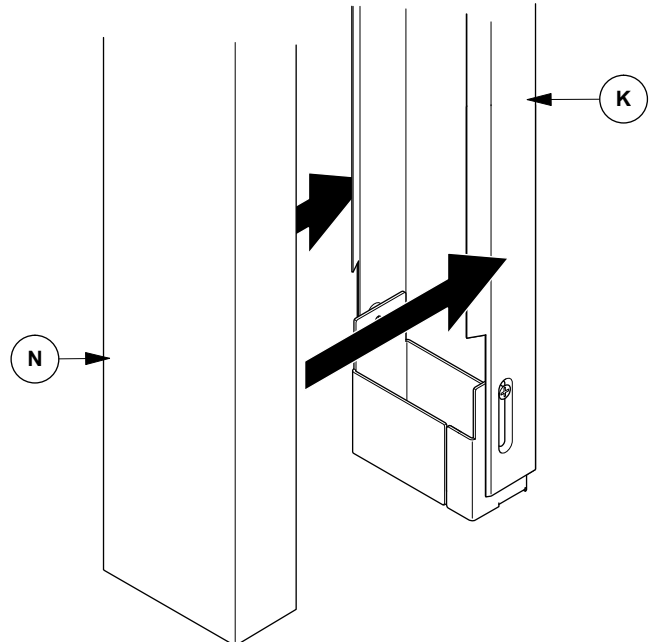
Install bracket (L)

**WARNING!** Appropriate screws/bolts (W) must be used to attach bracket to floor. Due to various floor constructions, fasteners are not provided.



8

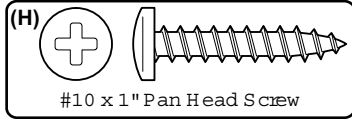
Install cover (N)



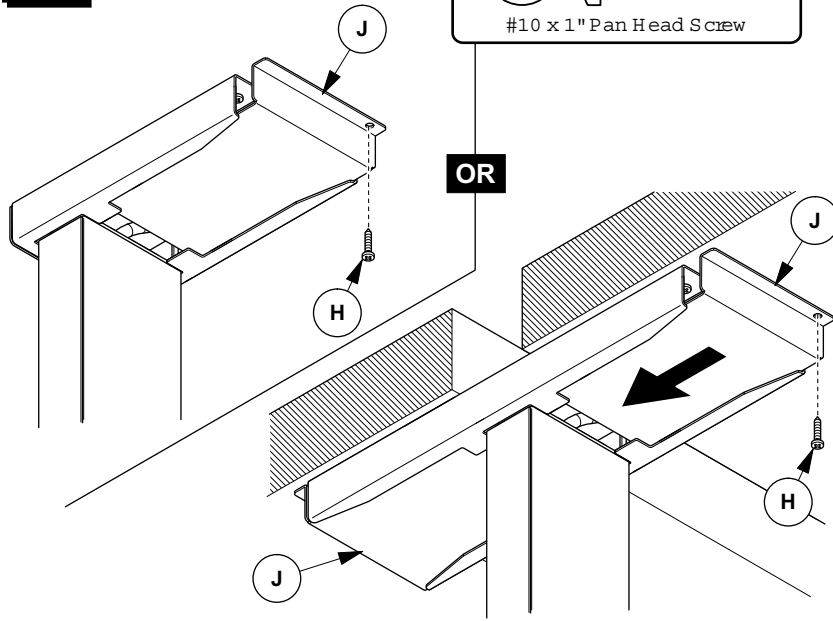
CUSTOMER SERVICE PHONE: 1-800-426-8562

9

Install cover (J)

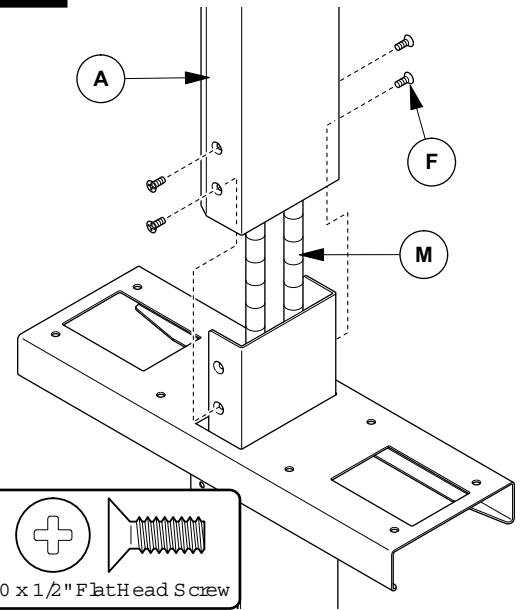
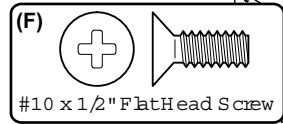


OR



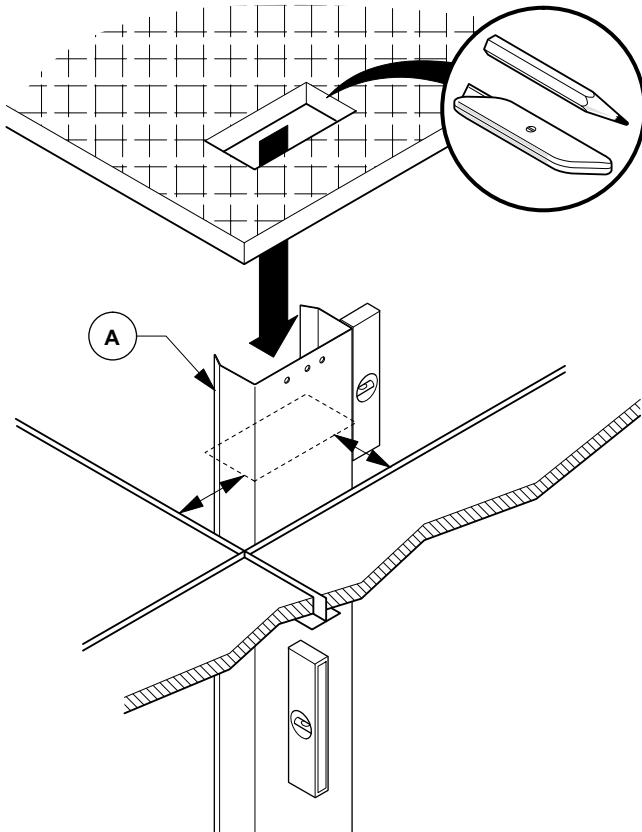
10

Install inner cover (A)



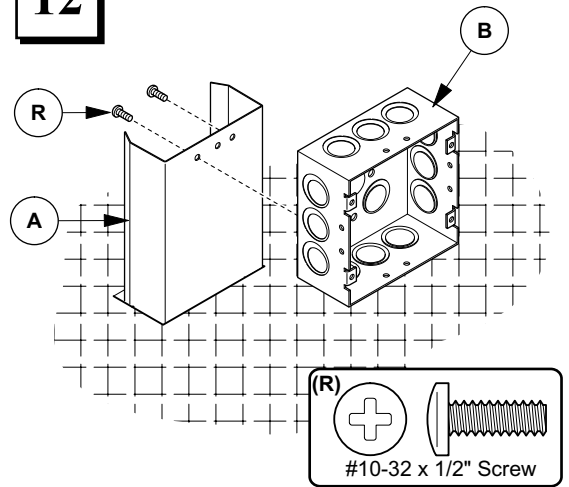
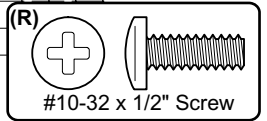
11

Plumb cover (A) and locate and cut a hole in ceiling tile



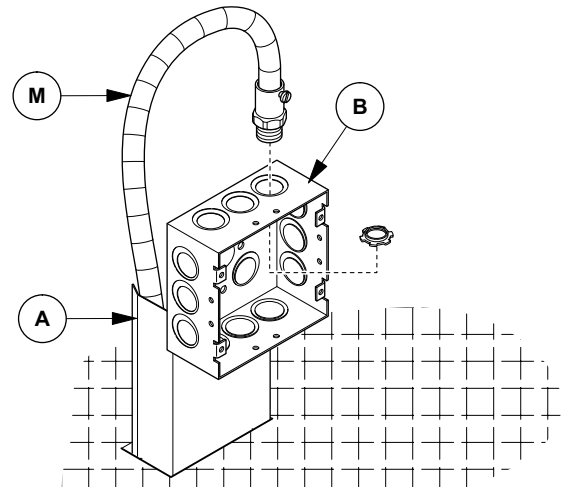
12

Install electrical box (B)



13

Route power harness (M)



CUSTOMER SERVICE PHONE: 1-800-426-8562

HAWORTH®

E.C.O. No: 298-451

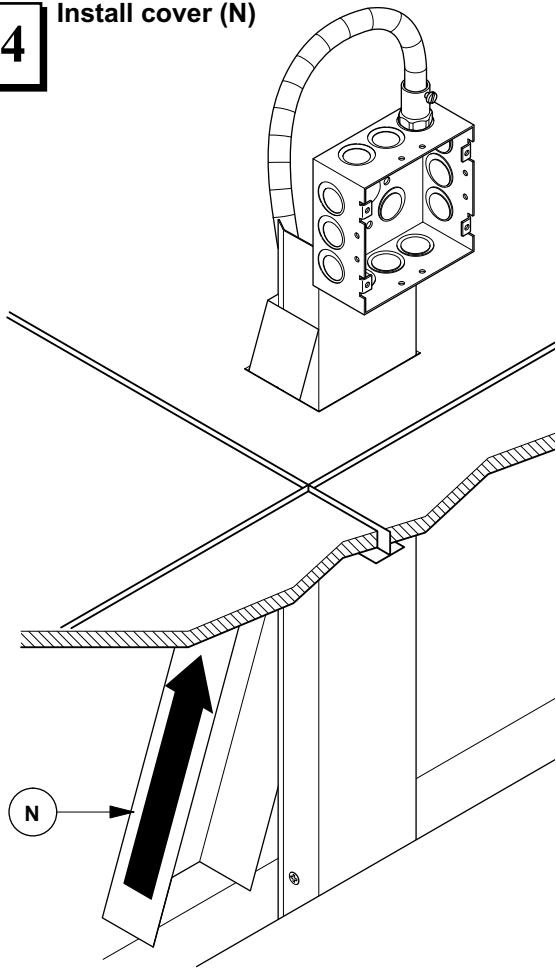
Page: 4 OF 7

Part No: 7029-9797

Rev: A

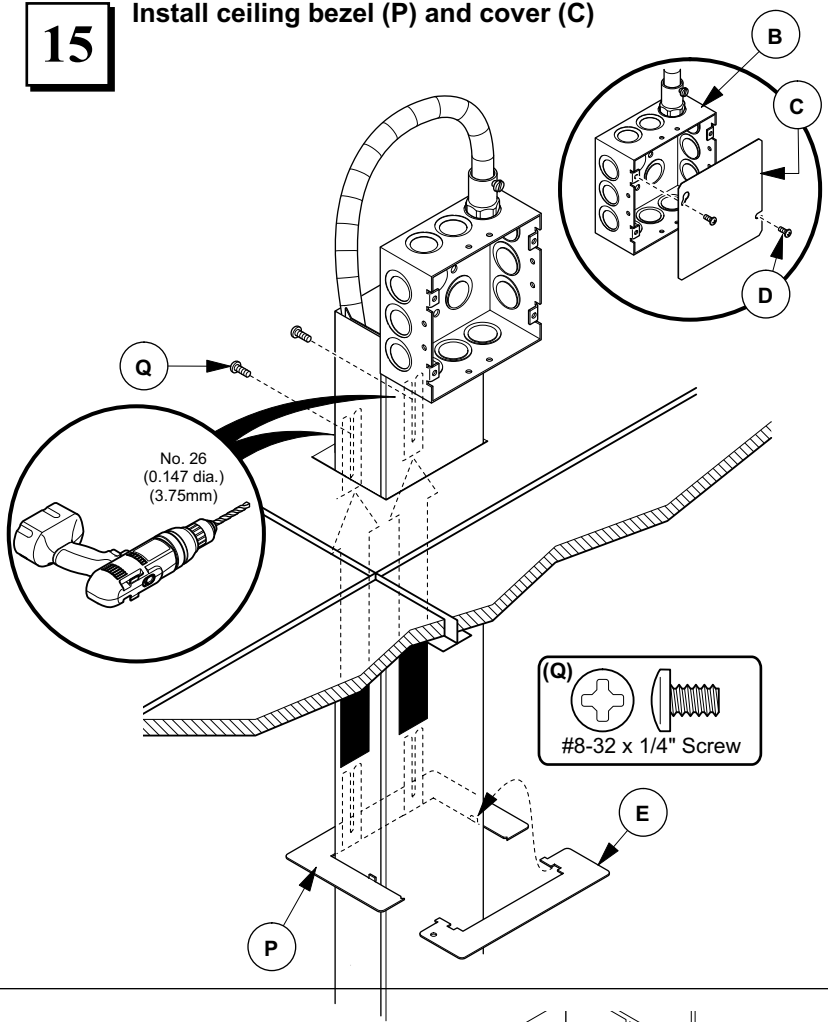
14

Install cover (N)



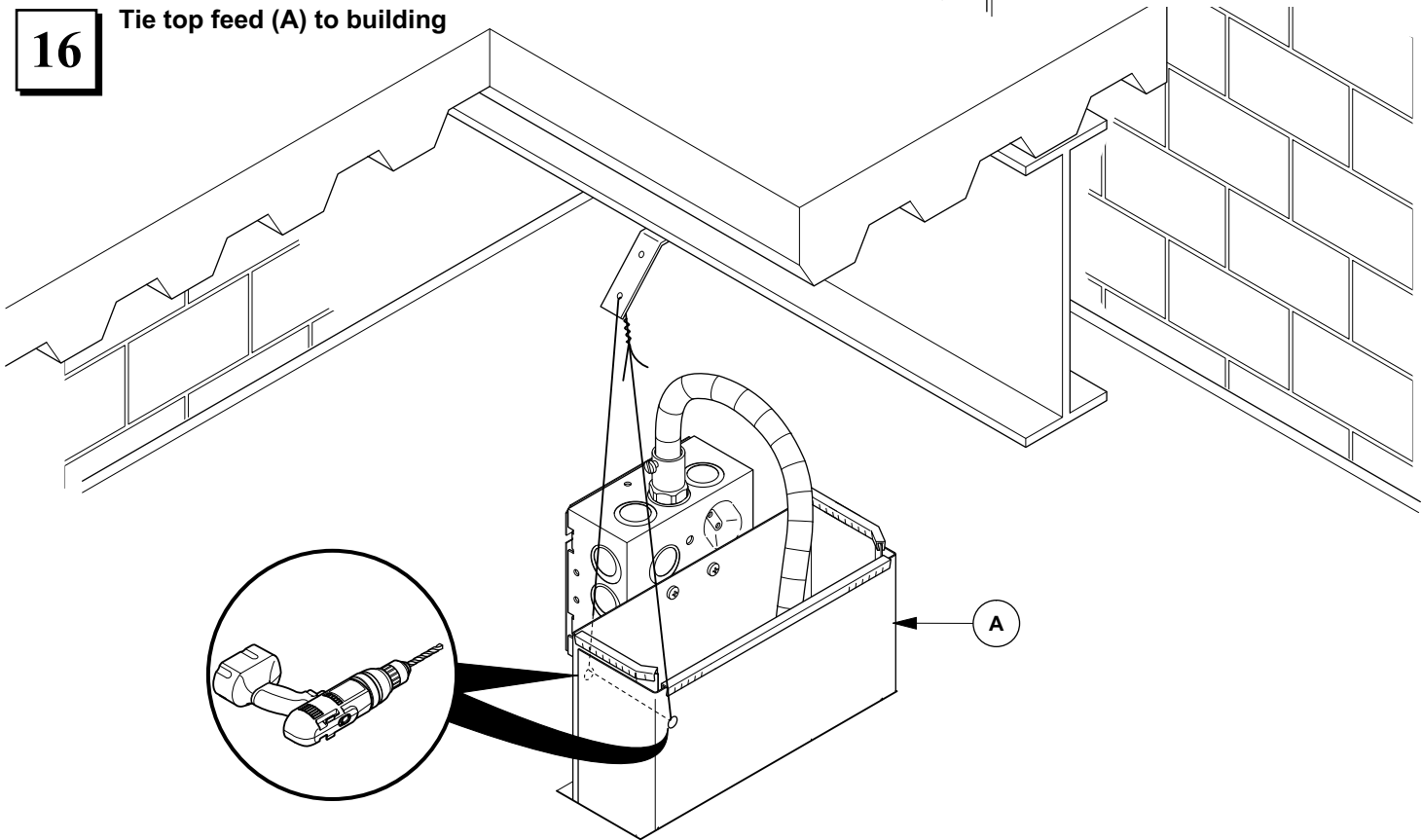
15

Install ceiling bezel (P) and cover (C)



16

Tie top feed (A) to building



CUSTOMER SERVICE PHONE: 1-800-426-8562

HAWORTH®

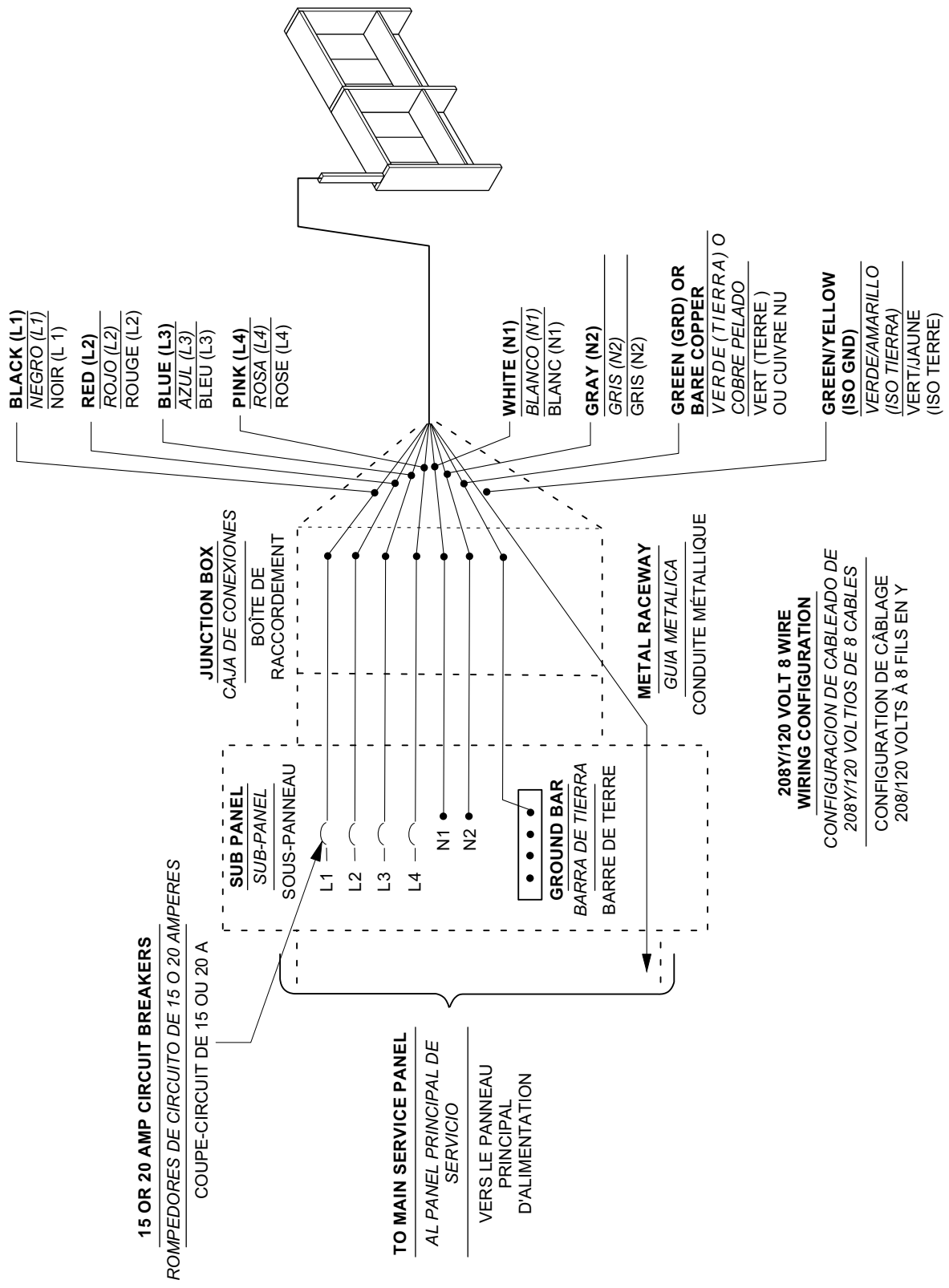
E.C.O. No: 298-451

Page: 5 OF 7

Part No: 7029-9797

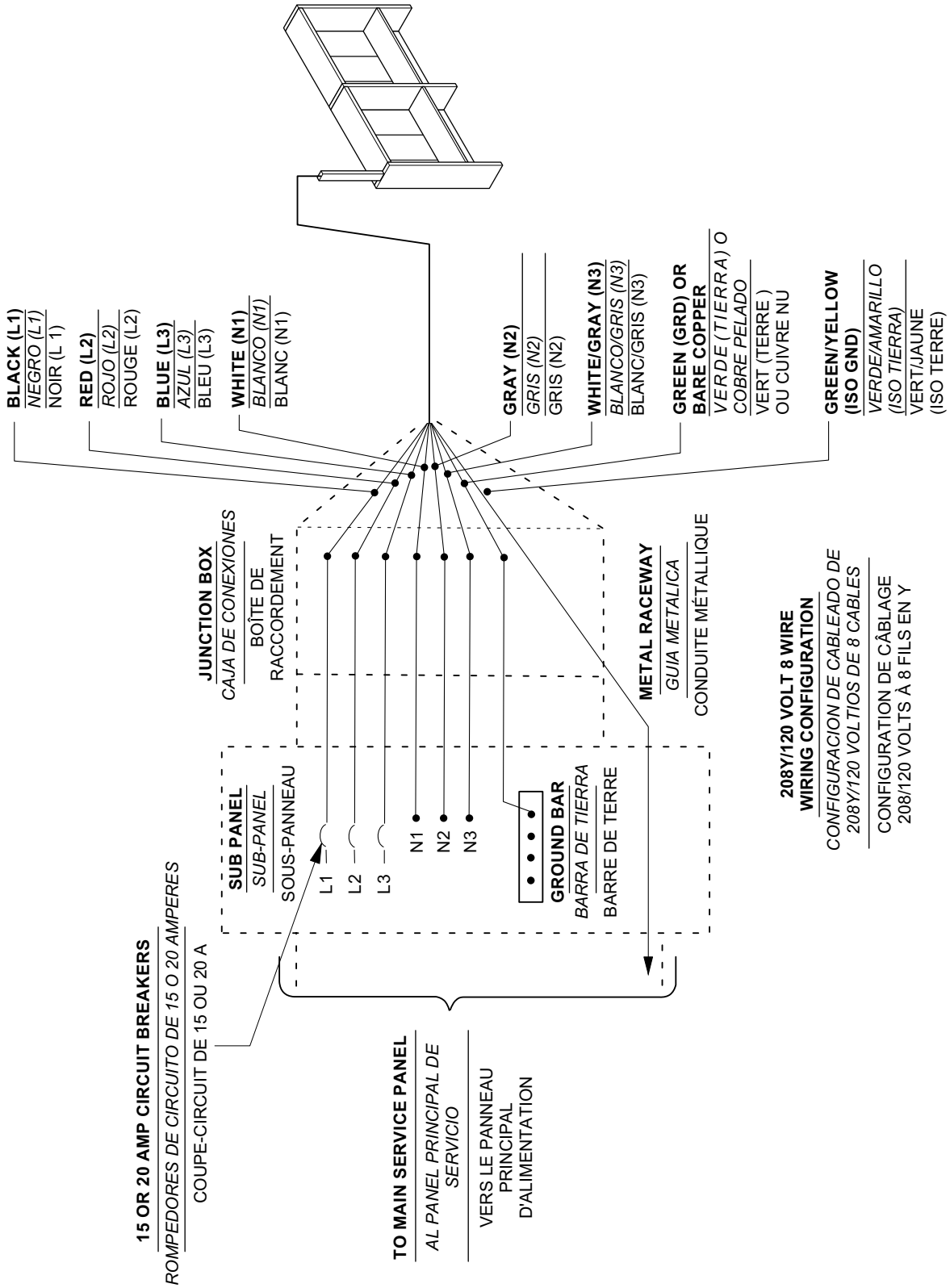
Rev: A

**ELECTRICAL WIRING CONFIGURATIONS / CONFIGURACIONES DEL ALAMBRAO ELECTRICO / SCHEMAS ÉLECTRIQUES**



CUSTOMER SERVICE PHONE: 1-800-426-8562

**ELECTRICAL WIRING CONFIGURATIONS / CONFIGURACIONES DEL ALAMBRAO ELECTRICO / SCHEMAS ÉLECTRIQUES**



CUSTOMER SERVICE PHONE: 1-800-426-8562