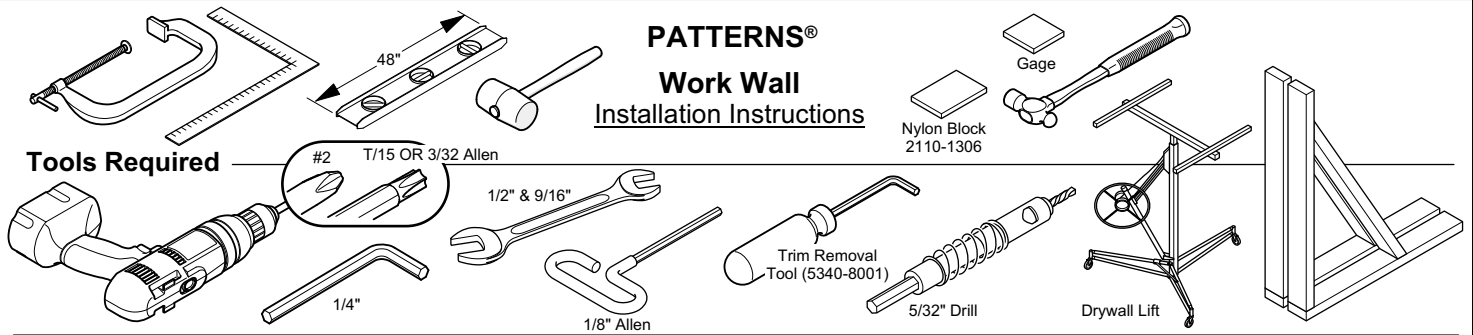
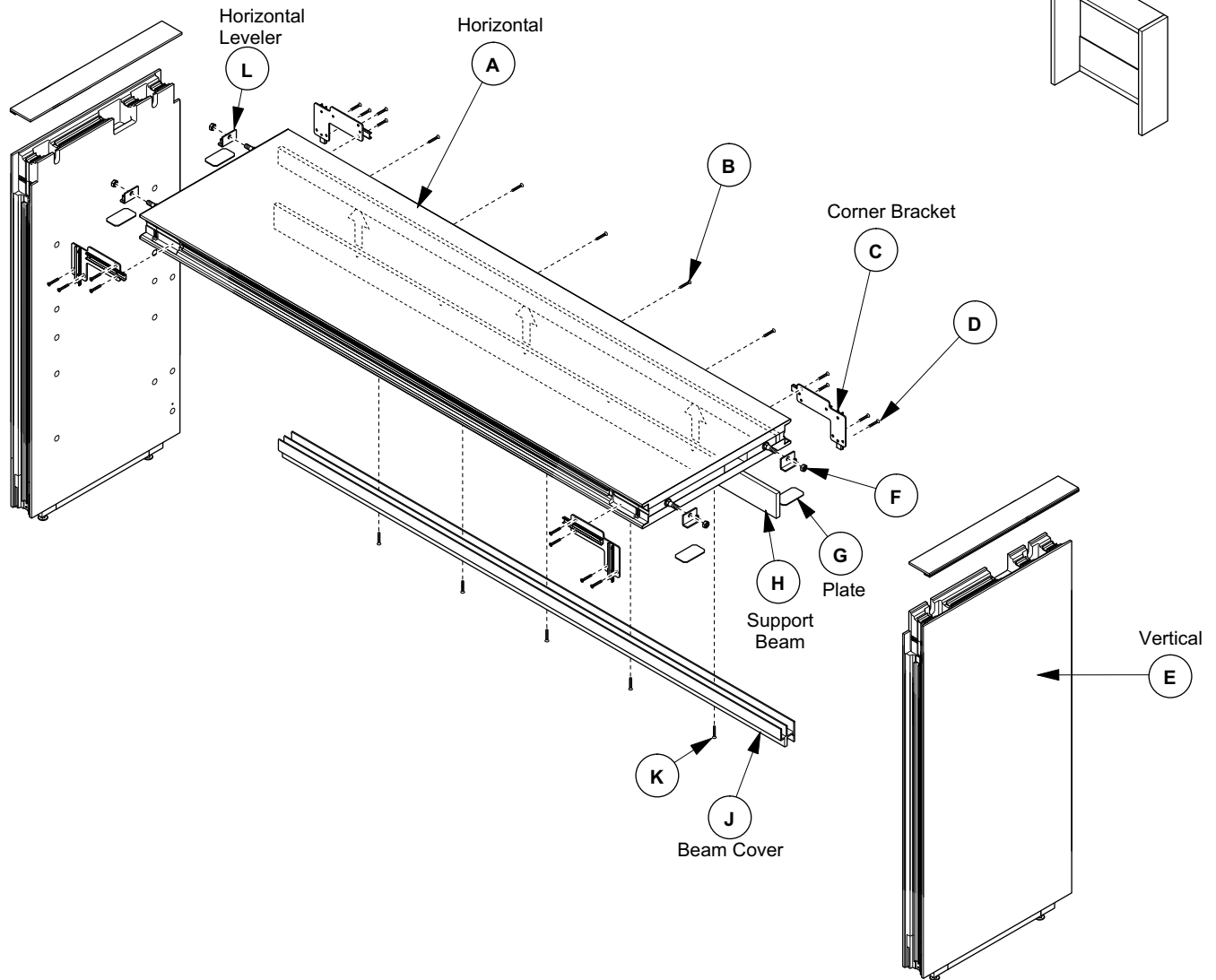


# PATTERNS® Work Wall Installation Instructions

## Tools Required



## 22" WORKWALL



## ELECTRICAL ASSEMBLY

Connection of panels to permanent wiring of building **MUST** be done by a licensed electrician who must control the size and loading of each branch circuit. Receptacles are factory wired to circuit one. Receptacles may need to be rewired to other circuits to control loading of circuit one. The person or group installing HAWORTH products is responsible for complying with all NEC and local code requirements. In some localities it is also required that the electrician perform all electrical work including installation of receptacles and flexible connectors of the pre-wired electrical system. Check with your local jurisdiction for any restrictions in your area. See "PATTERNS Power Installation Instructions" which accompany electrical products.

CUSTOMER SERVICE PHONE: 1-800-426-8562

**HAWORTH®**

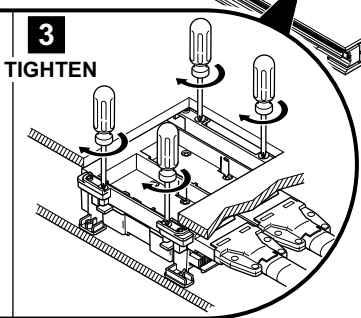
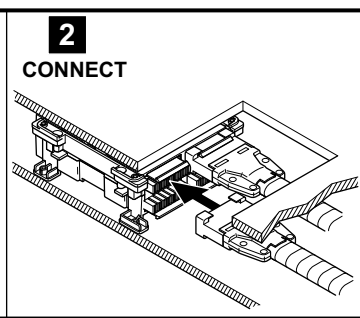
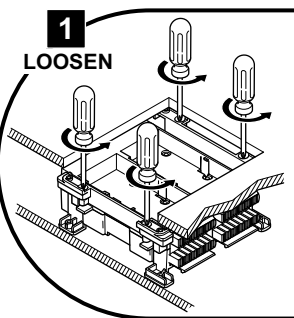
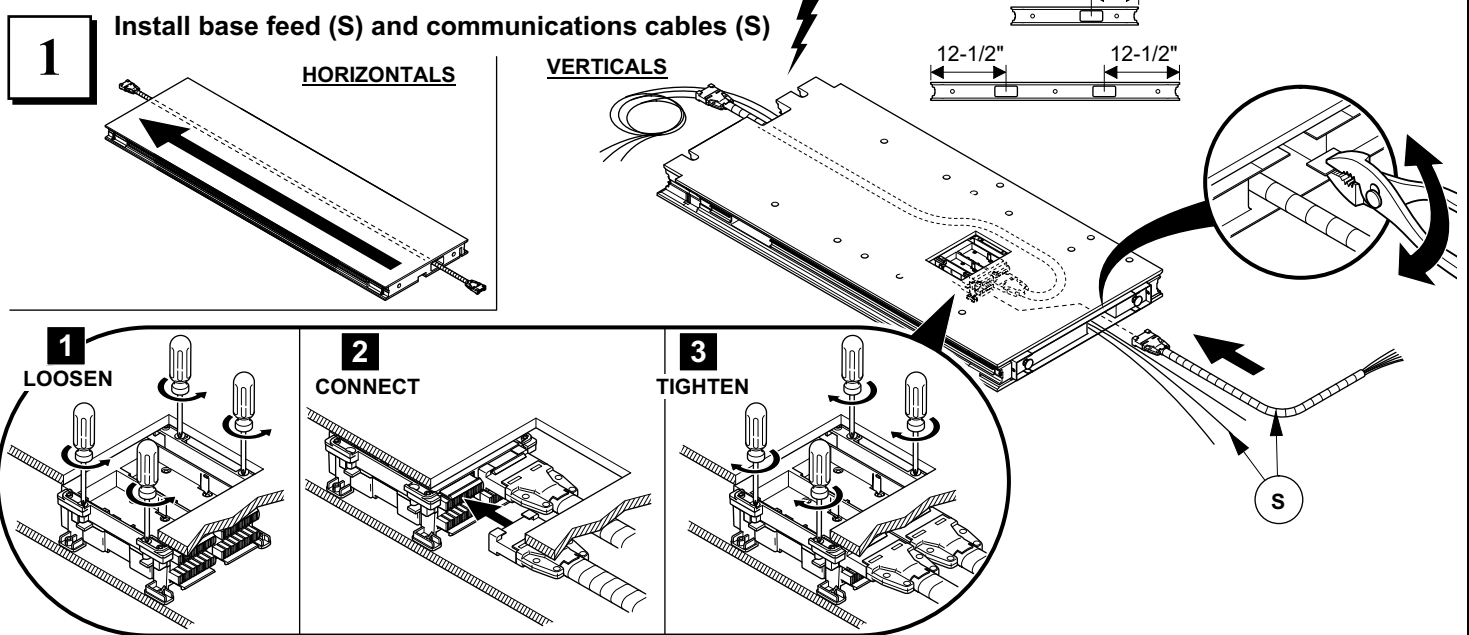
E.C.O. No: 370-053

Page: 1 of 12

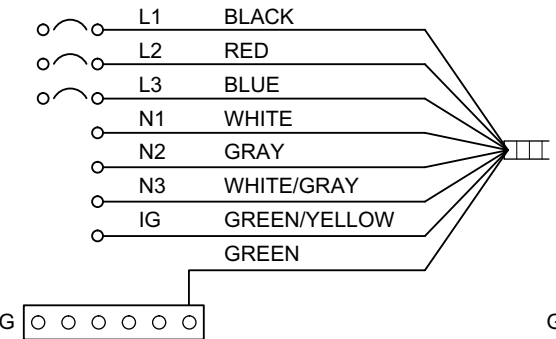
Part No: 7029-9799

Rev: A

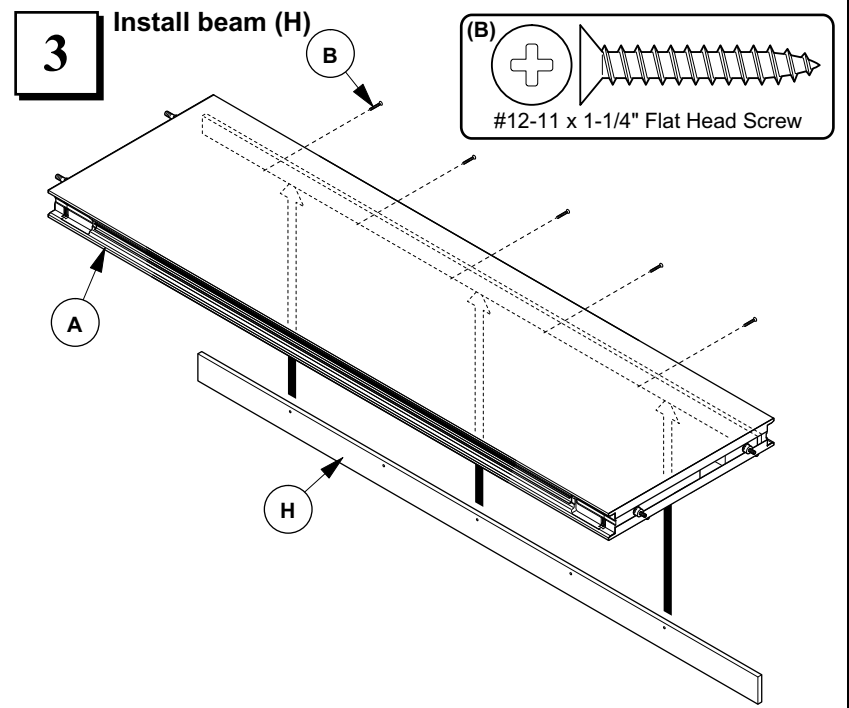
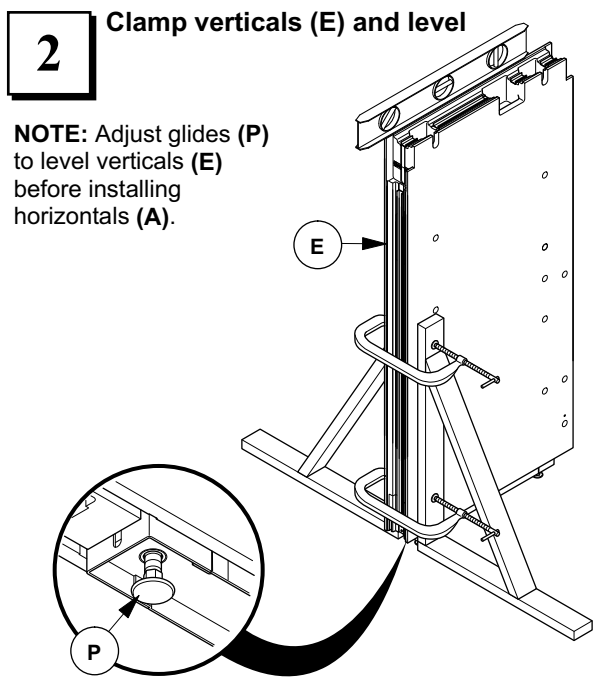
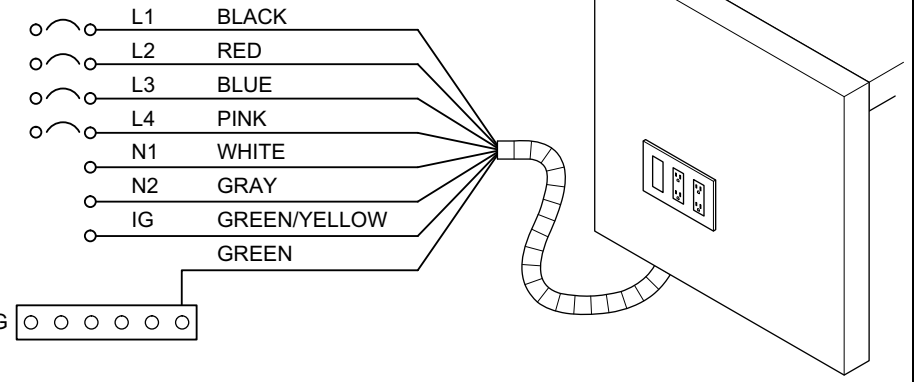
**FOR POWER APPLICATIONS**



**3 CIRCUIT WIRE DIAGRAM**



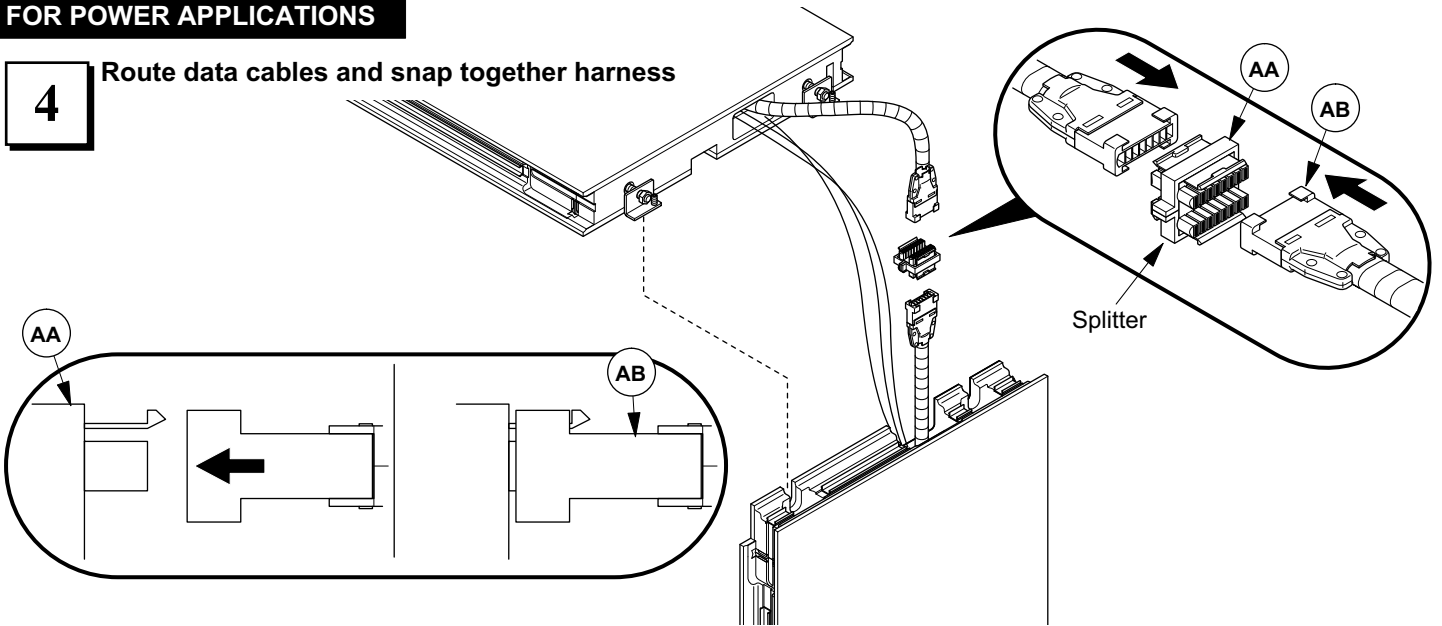
**4 CIRCUIT WIRE DIAGRAM**



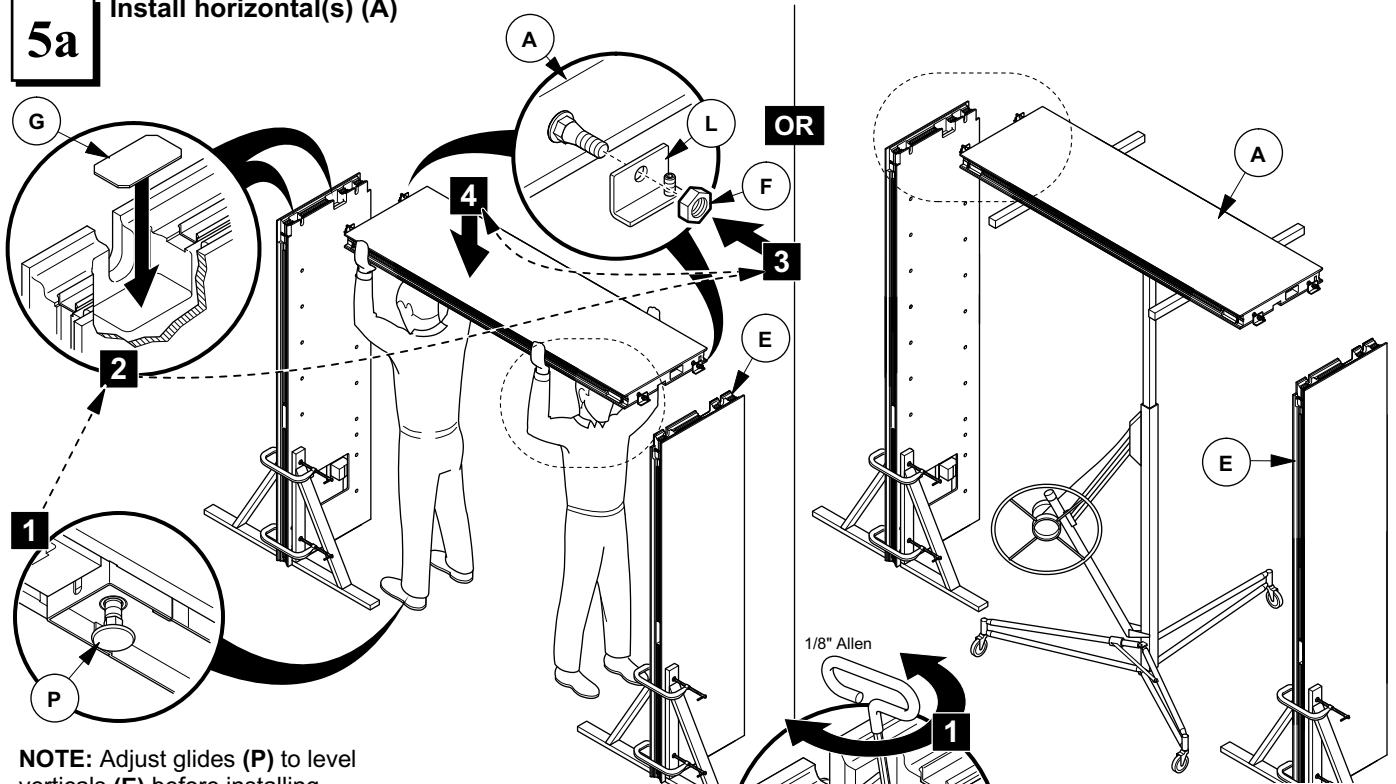
CUSTOMER SERVICE PHONE: 1-800-426-8562

**FOR POWER APPLICATIONS**

**4** Route data cables and snap together harness



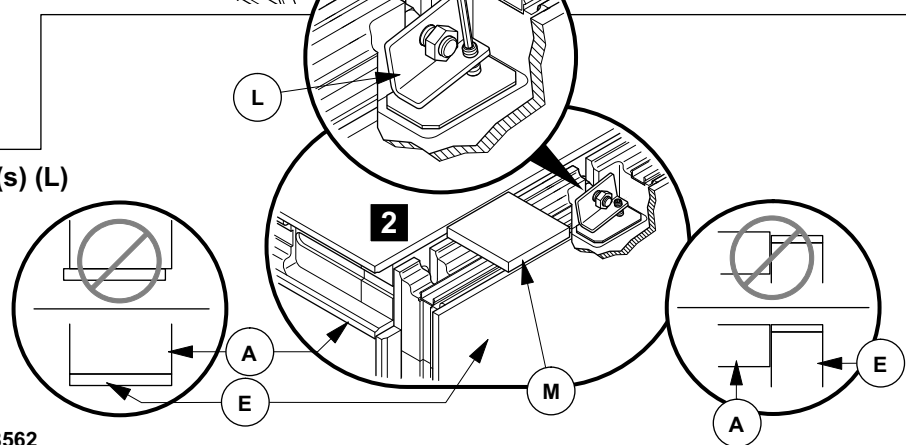
**5a** Install horizontal(s) (A)



**NOTE:** Adjust glides (P) to level verticals (E) before installing horizontals (A).

**5b** Adjust horizontal leveler(s) (L)

**NOTE:** Adjust horizontal levelers (L) until gage (M) is flush with horizontal (A).

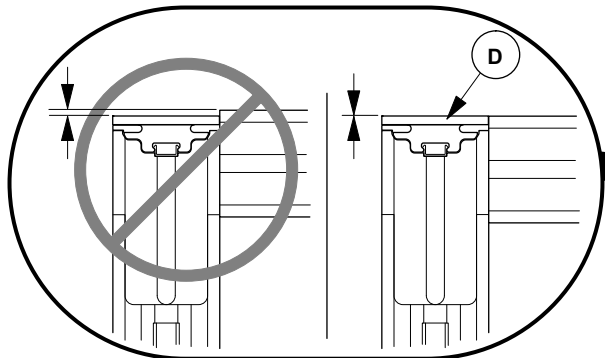


CUSTOMER SERVICE PHONE: 1-800-426-8562

6a

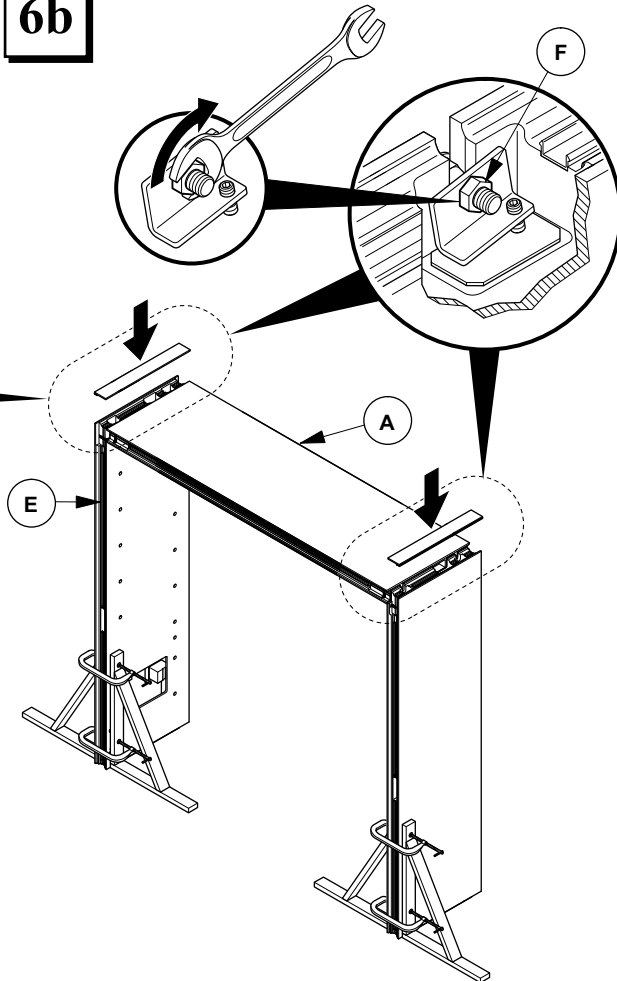
Install top trim (D) to check height

NOTE: Use Top Trim (M) to verify proper horizontal height, if not adjust horizontal leveler (L).



6b

Tighten all hex nuts (F)

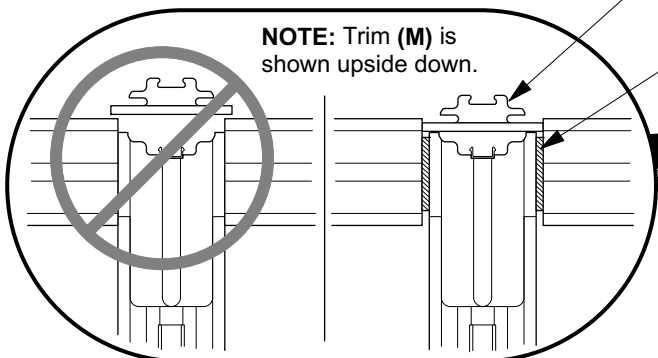


FOR CENTER VERTICALS ONLY

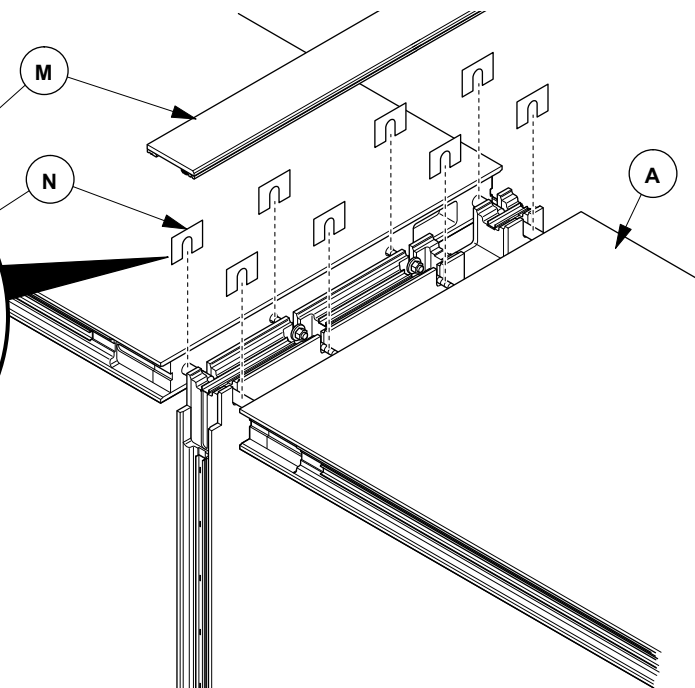
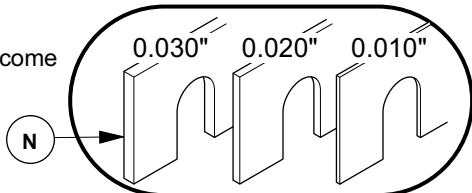
7

Shim (N) so trim (M) fits

NOTE: Trim (M) is shown upside down.



NOTE: Shims (N) come in 3 thicknesses.



CUSTOMER SERVICE PHONE: 1-800-426-8562

HAWORTH®

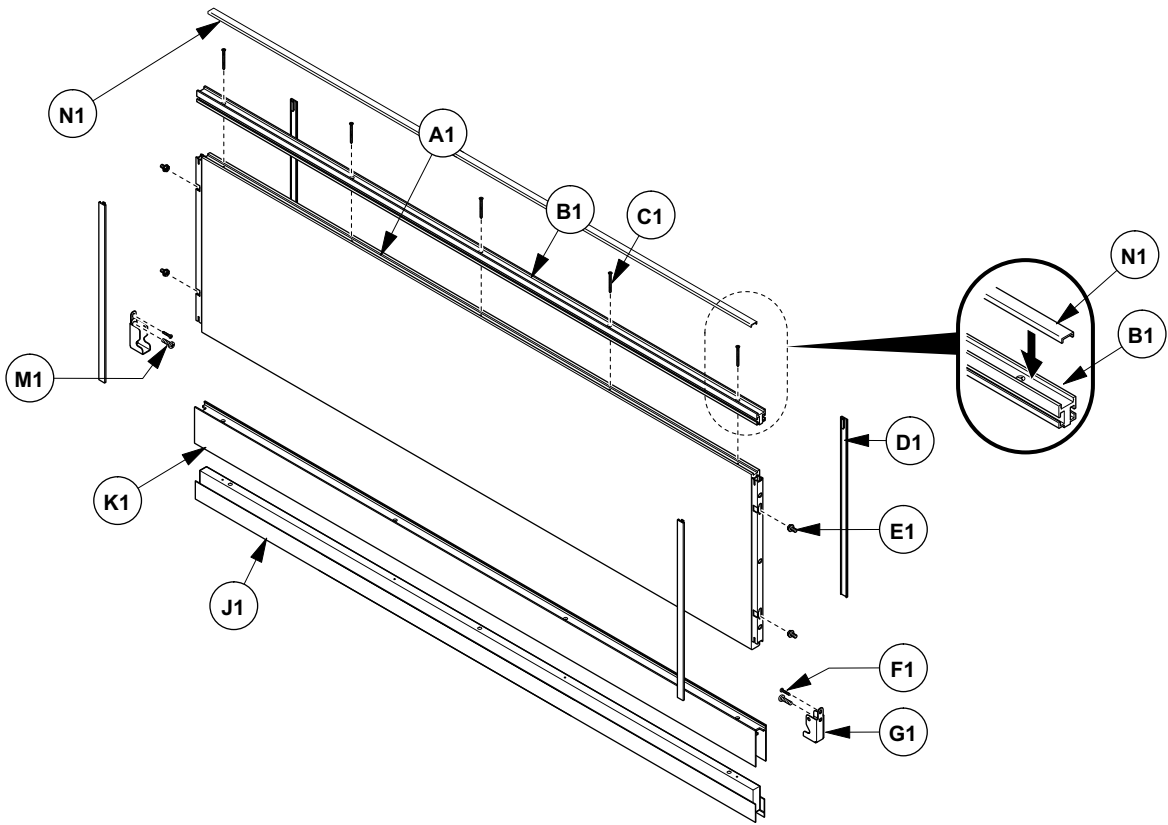
E.C.O. No: 370-053

Page: 4 of 12

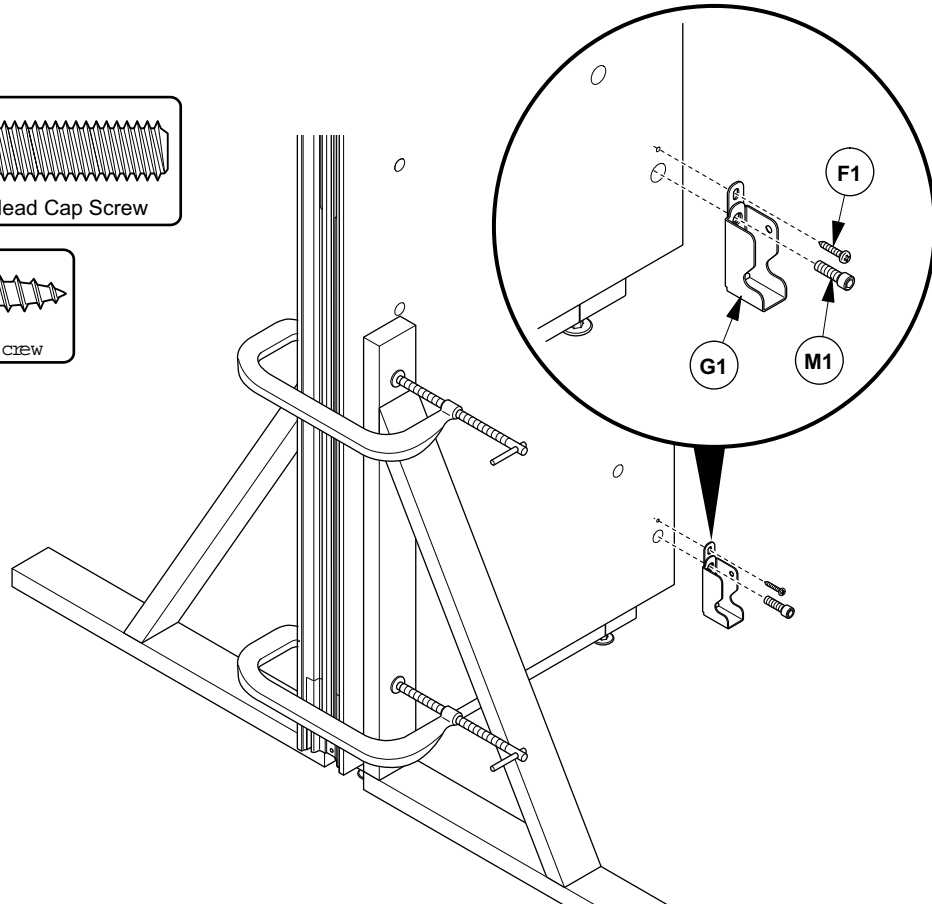
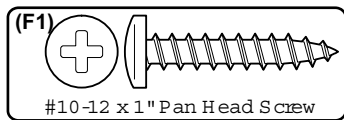
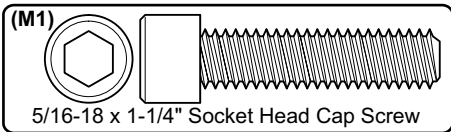
Part No: 7029-9799

Rev: A

**STABILIZER ASSEMBLY**



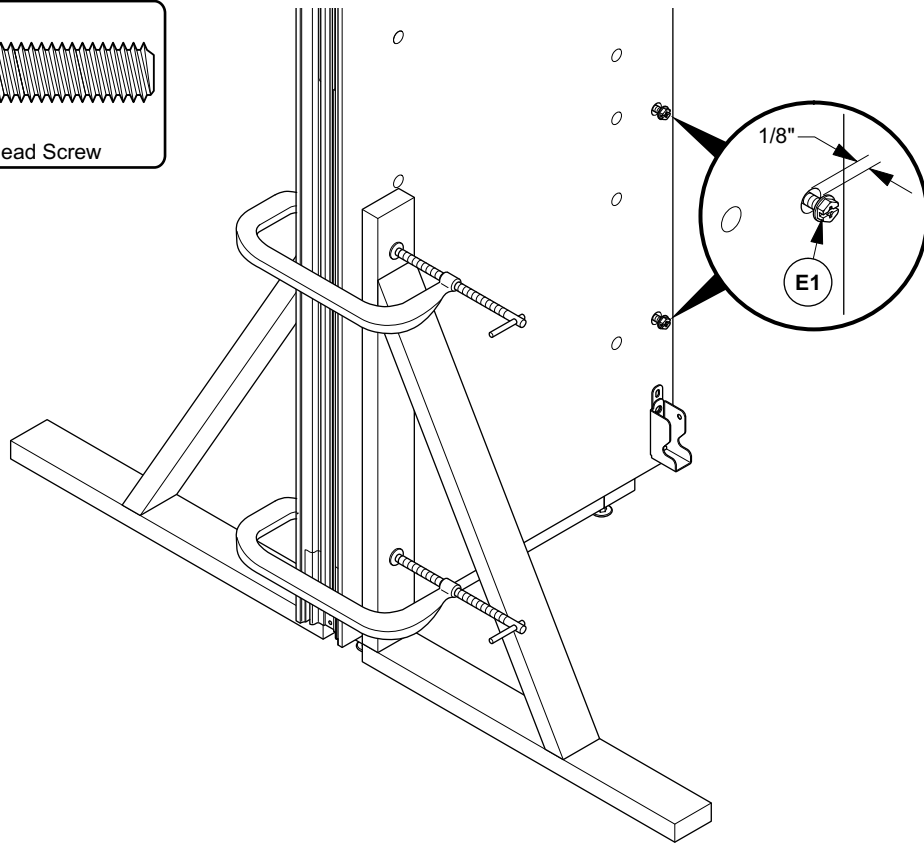
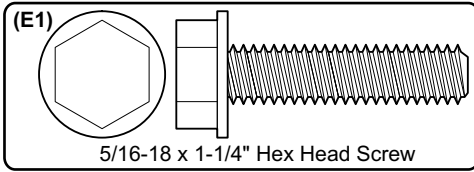
**8** Install bracket (G1) as shown (each side)



CUSTOMER SERVICE PHONE: 1-800-426-8562

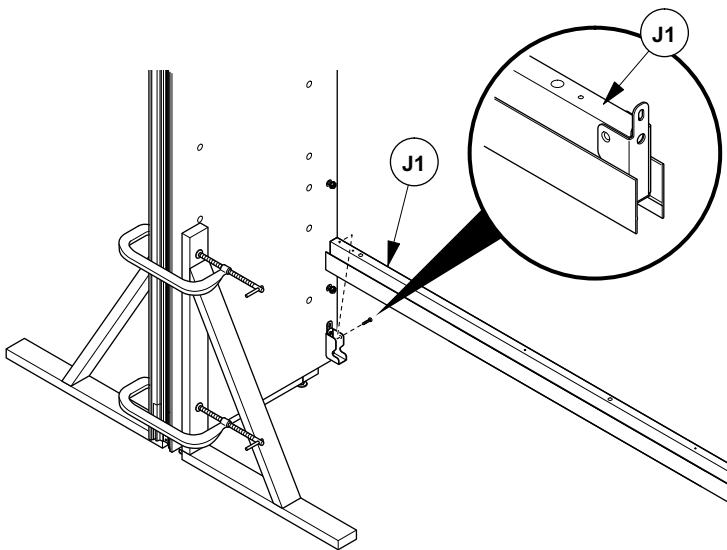
9

Install screws (E1) as shown (each side)



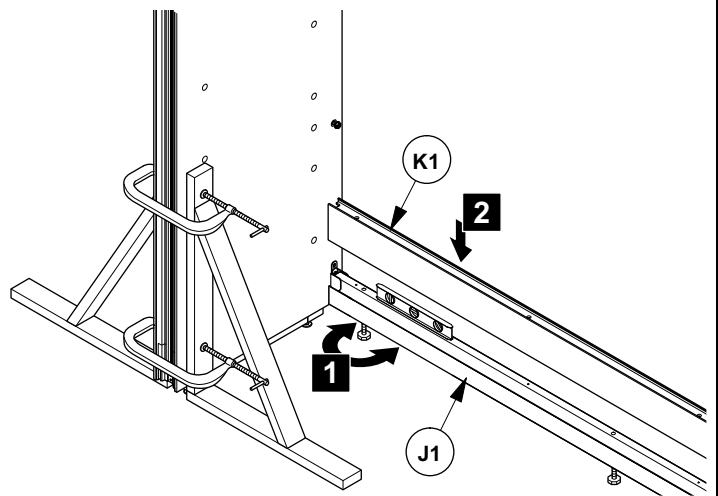
10

Install glide assembly (J1)



11

Install glide cover (K1)



CUSTOMER SERVICE PHONE: 1-800-426-8562

**HAWORTH**<sup>®</sup>

E.C.O. No: 370-053

Page: 6 of 12

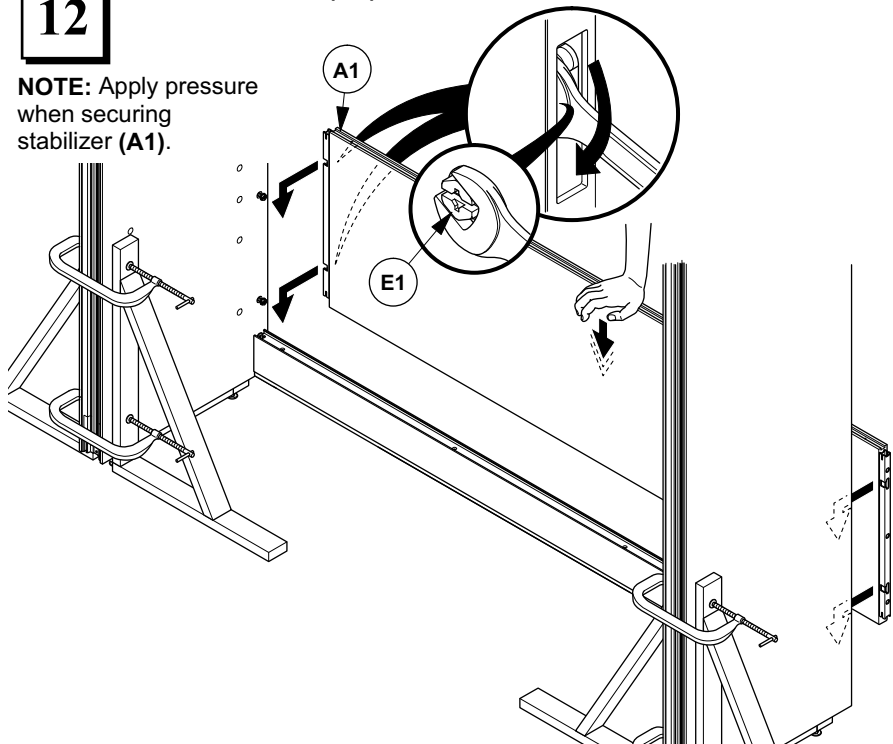
Part No: 7029-9799

Rev: A

12

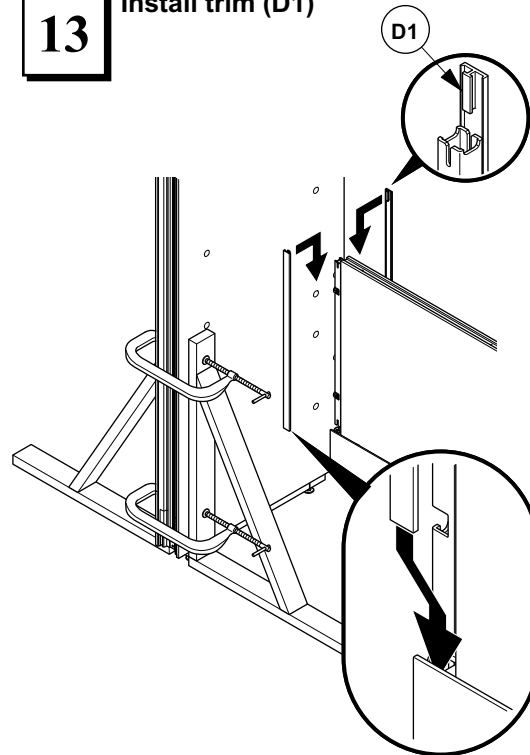
Install stabilizer (A1) and secure

NOTE: Apply pressure when securing stabilizer (A1).



13

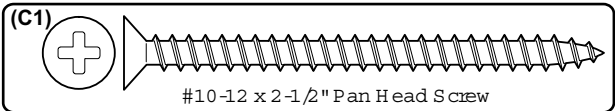
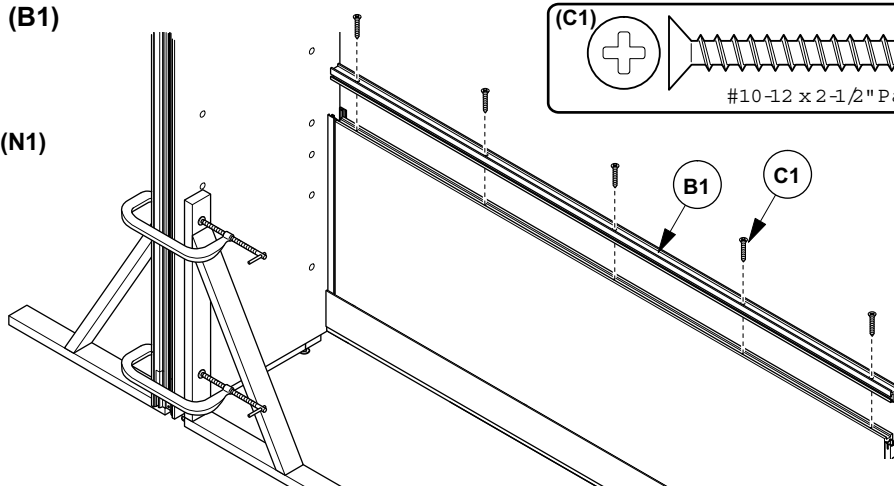
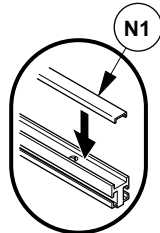
Install trim (D1)



14

Install top rail (B1)

NOTE: Only install cover (N1) if backers **are not** installed.



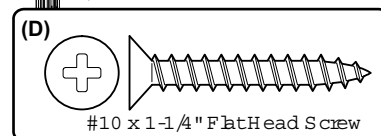
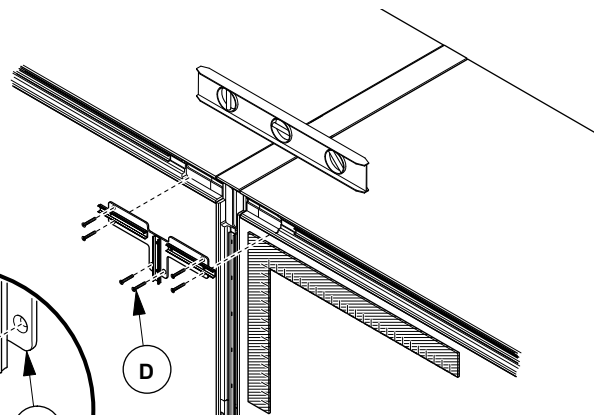
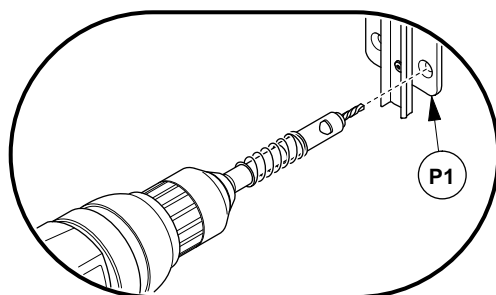
FOR CENTER VERTICALS ONLY

15

Install center bracket (P1)

16

Refer to "Stabilizer" (pages 4, 5 & 6)

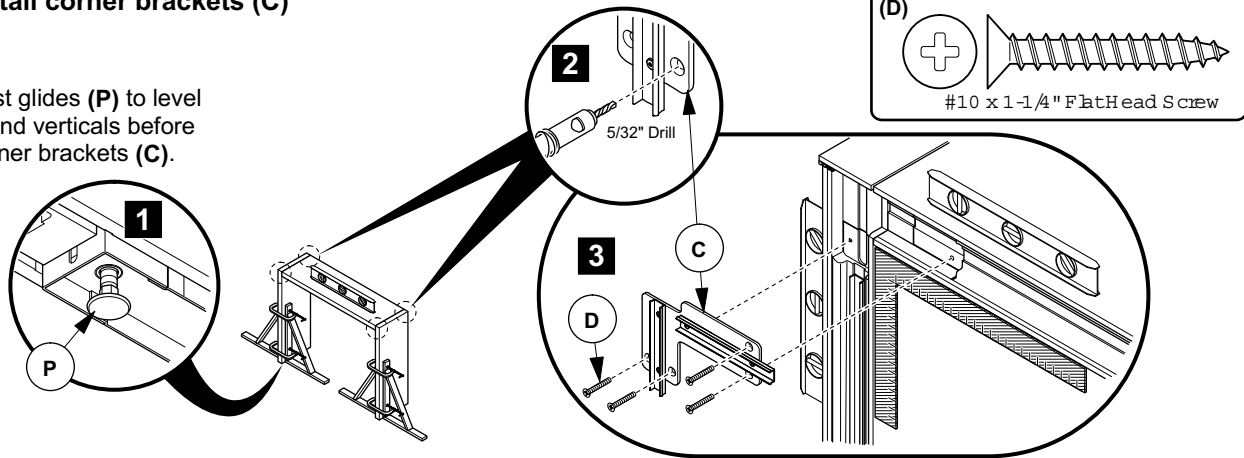


CUSTOMER SERVICE PHONE: 1-800-426-8562

17

Install corner brackets (C)

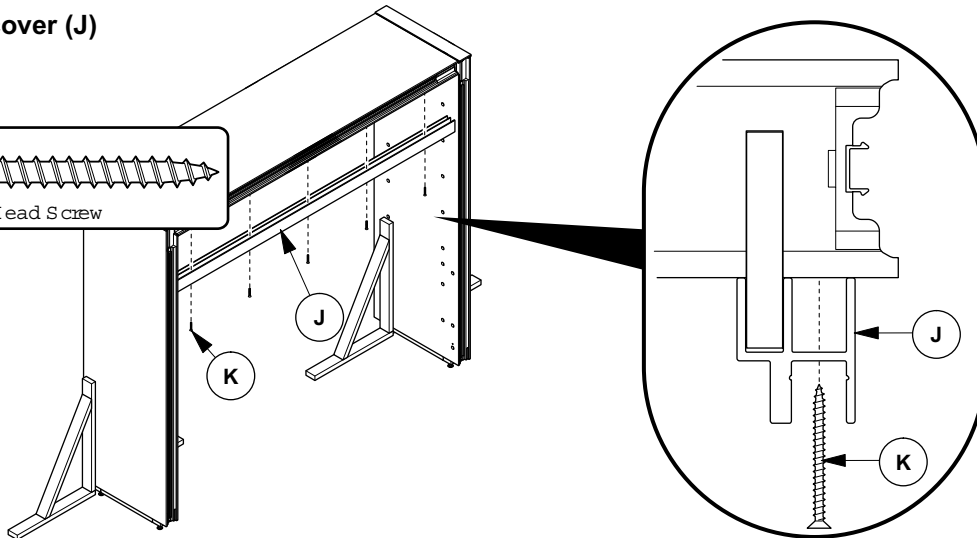
NOTE: Adjust glides (P) to level horizontals and verticals before installing corner brackets (C).



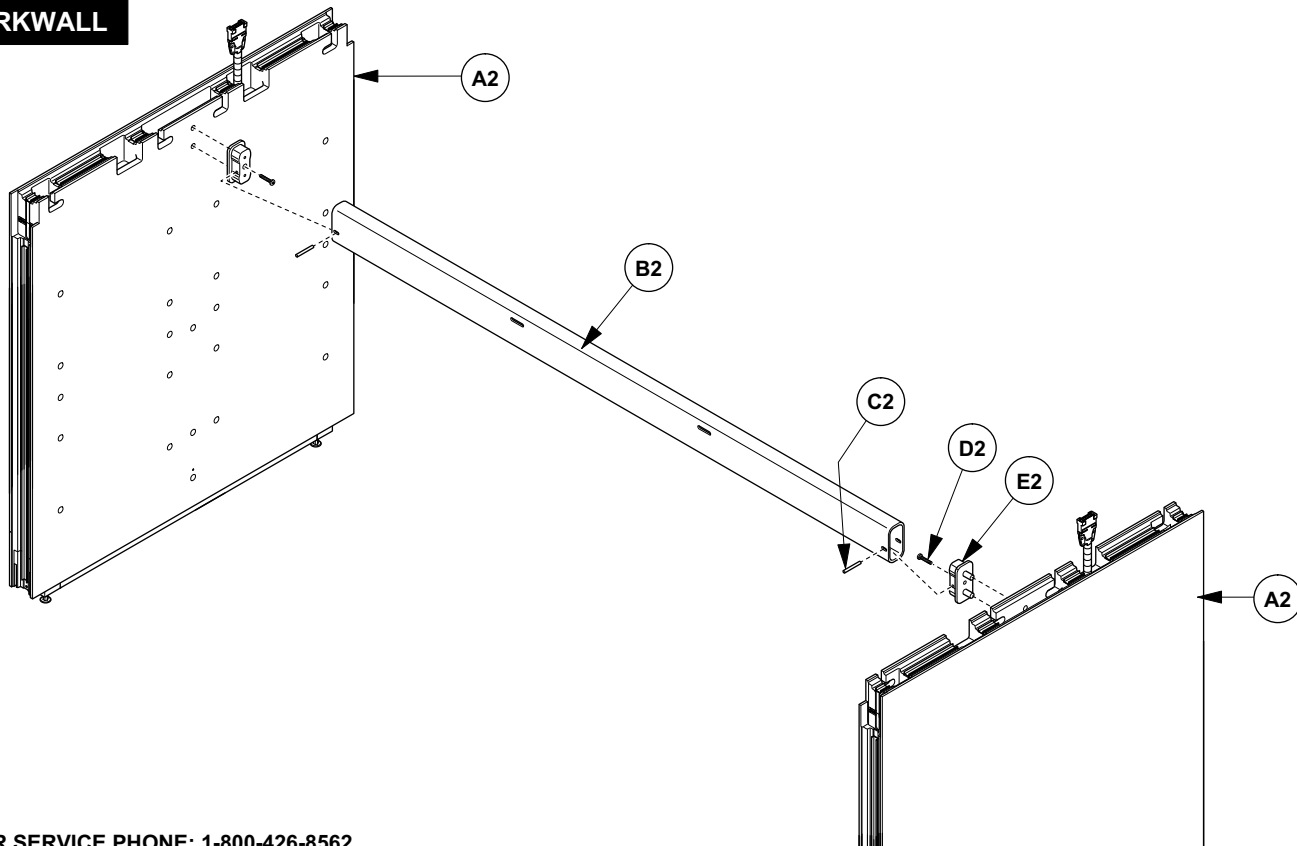
18

Install beam cover (J)

(K) #8-15 x 2" Flat Head Screw



42" WORKWALL



CUSTOMER SERVICE PHONE: 1-800-426-8562



19

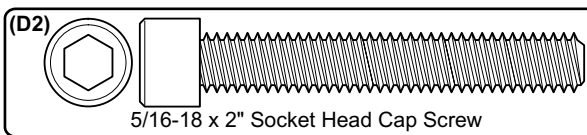
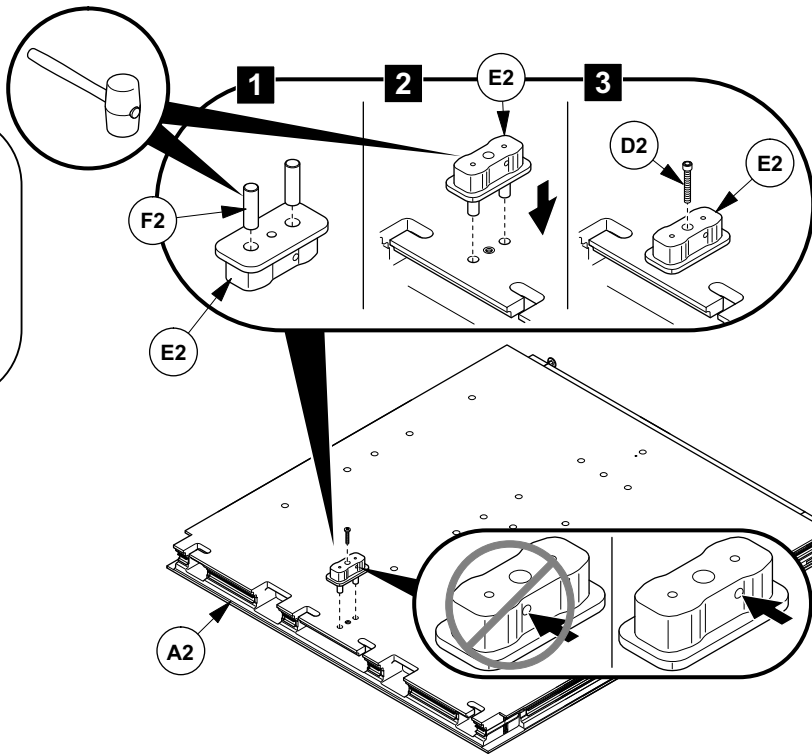
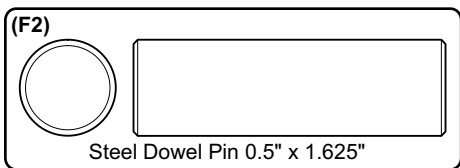
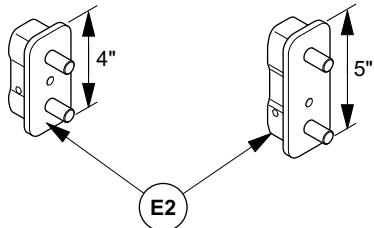
Install beam brackets (E2)

WARNING TO AVOID SERIOUS INJURY:

- 1. TWO STEEL DOWELS MUST BE INSTALLED - OPPOSITE FACE PRIOR TO ATTACHING THIS PART.
- 2. FASTNER HEAD MUST BE VISIBLE IN CENTER HOLE PRIOR TO INSTALLING THE RECTANGULAR STEEL BEAM. SECURE STEEL BEAM TO THIS PART WITH ROLL/SPLIT PIN PROVIDED.

FOR 76.5" HEIGHTS AND LOWER

FOR 92.5" HEIGHT ONLY



20

Repeat steps 1 & 2

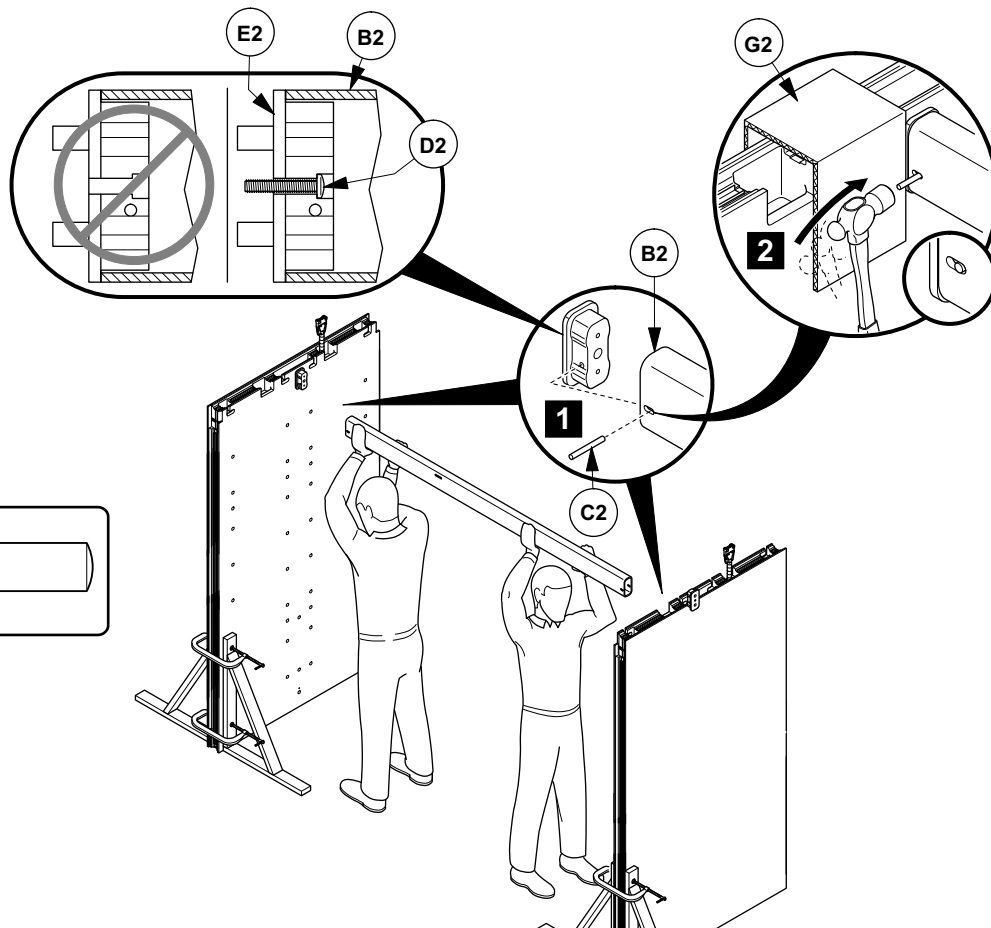
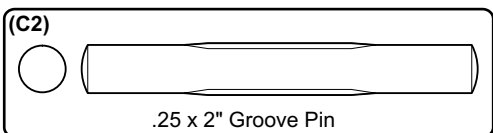
21

Install beam (B2)

22

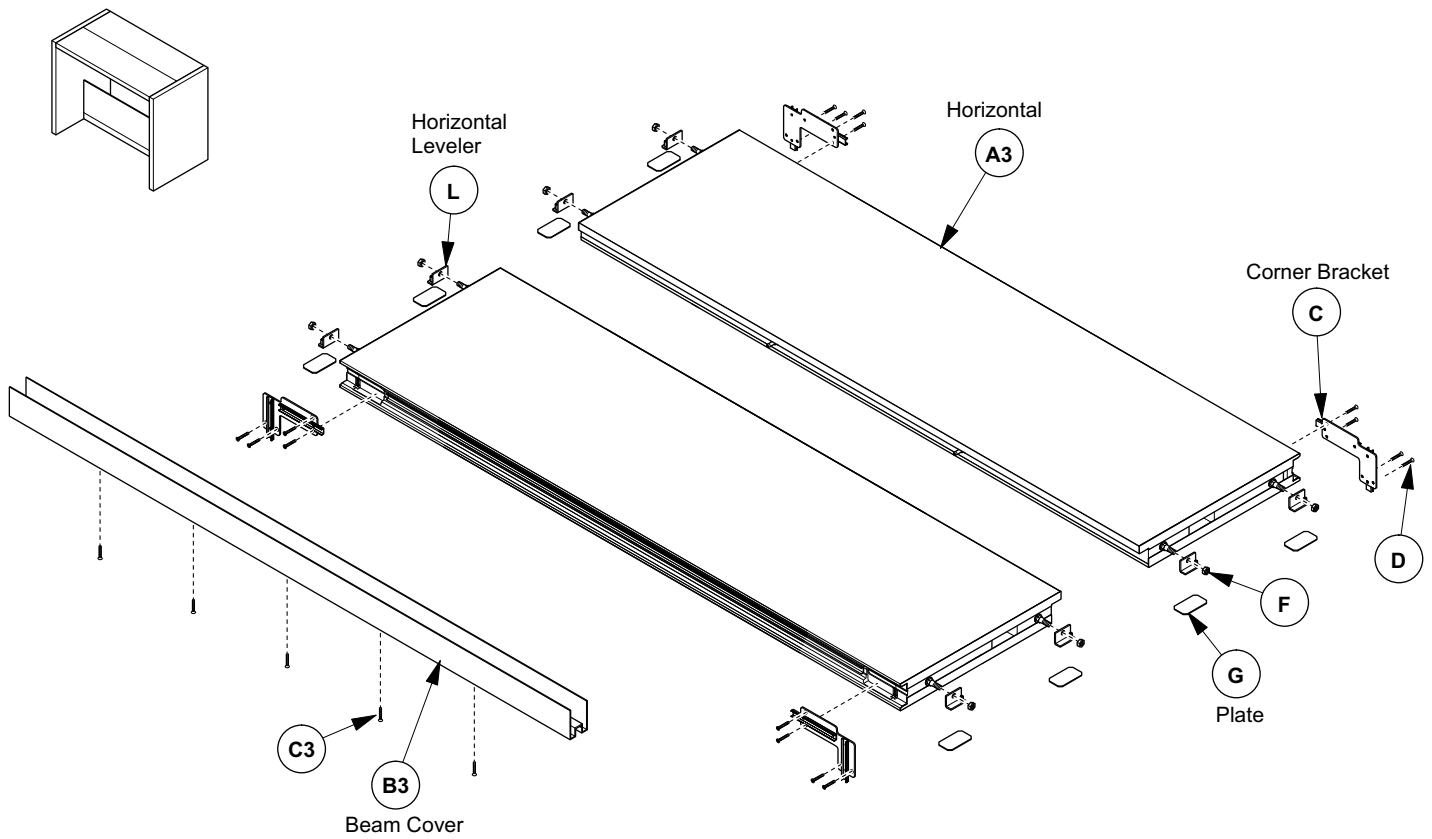
Install groove pins (C2)

NOTE: Protect verticals with cardboard (G2).

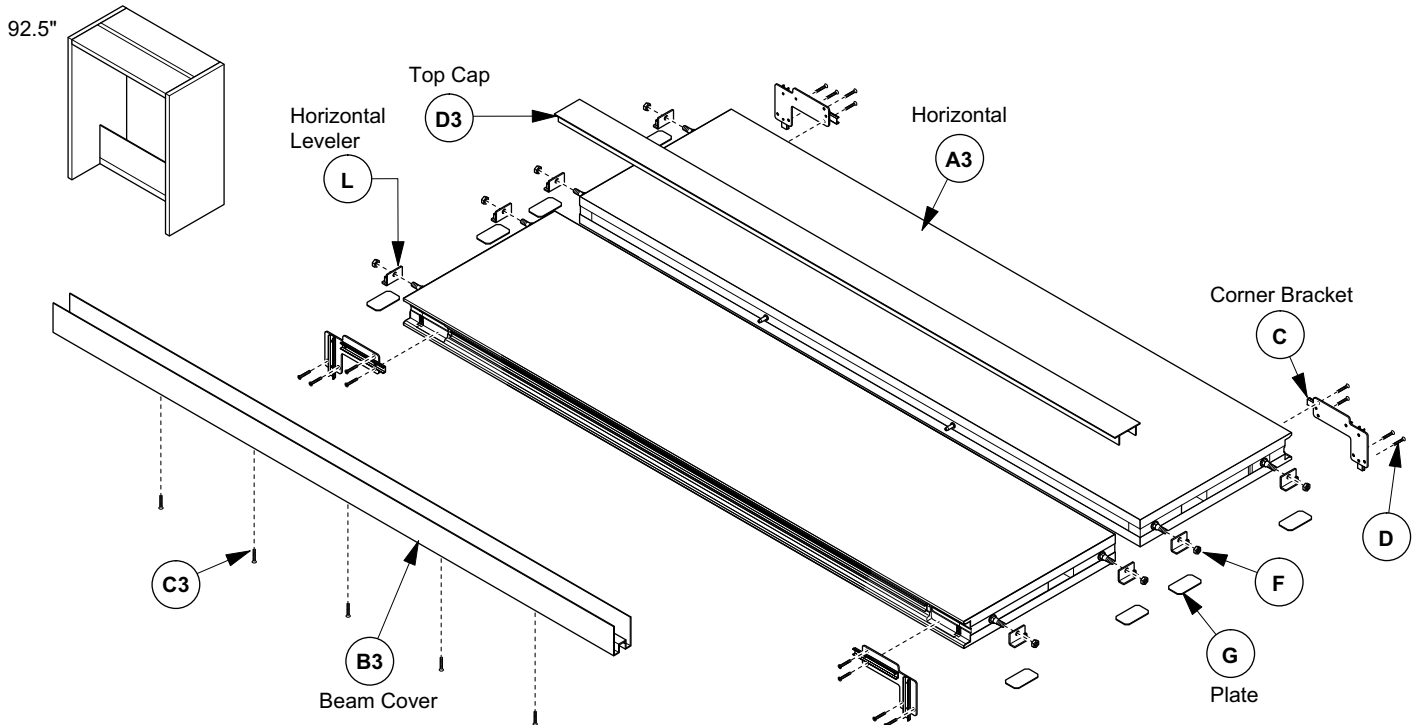


CUSTOMER SERVICE PHONE: 1-800-426-8562

# 42" HORIZONTAL ASSEMBLY - 76.5 HEIGHTS AND LOWER



# 42" HORIZONTAL ASSEMBLY - 92.5 HEIGHT ONLY



CUSTOMER SERVICE PHONE: 1-800-426-8562

**HAWORTH**

E.C.O. No: 370-053

Page: 10 of 12

Part No: 7029-9799

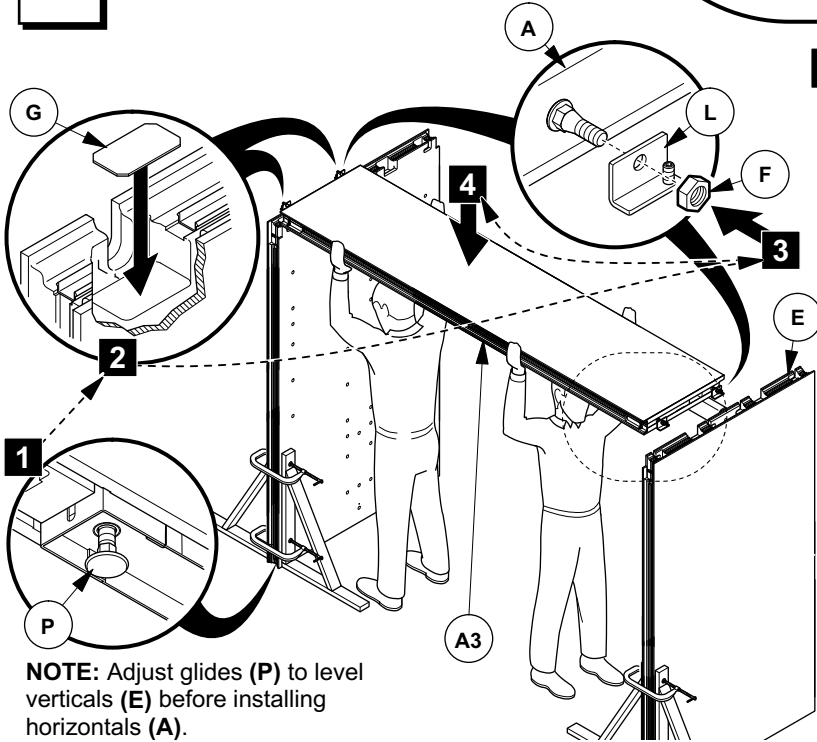
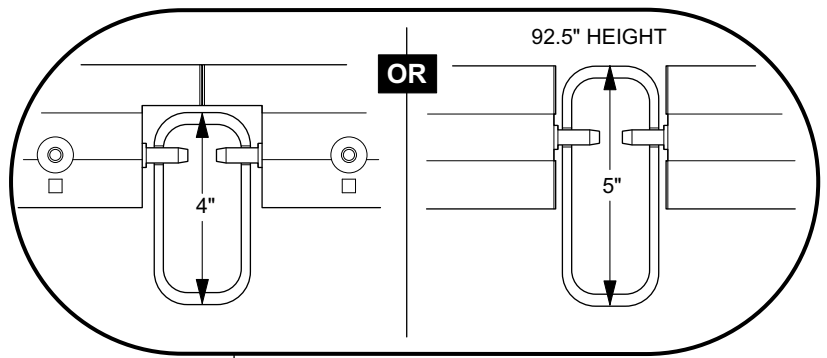
Rev: A

## 42" HORIZONTAL ASSEMBLY

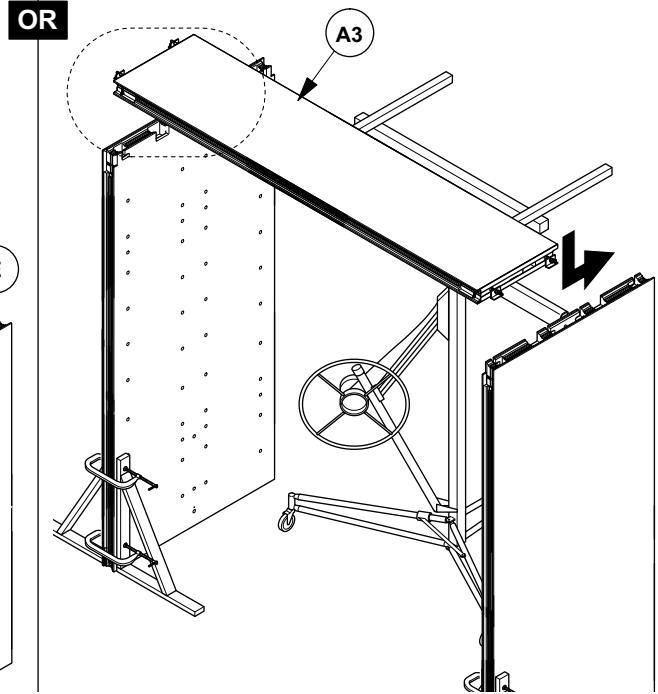
### 23 Install horizontal (A) and adjust horizontal leveler (L)

**NOTE:** Refer to page 3 when adjusting horizontal leveler (L).

### 24 Install washer (G) and nut (F)



**NOTE:** Adjust glides (P) to level verticals (E) before installing horizontals (A).

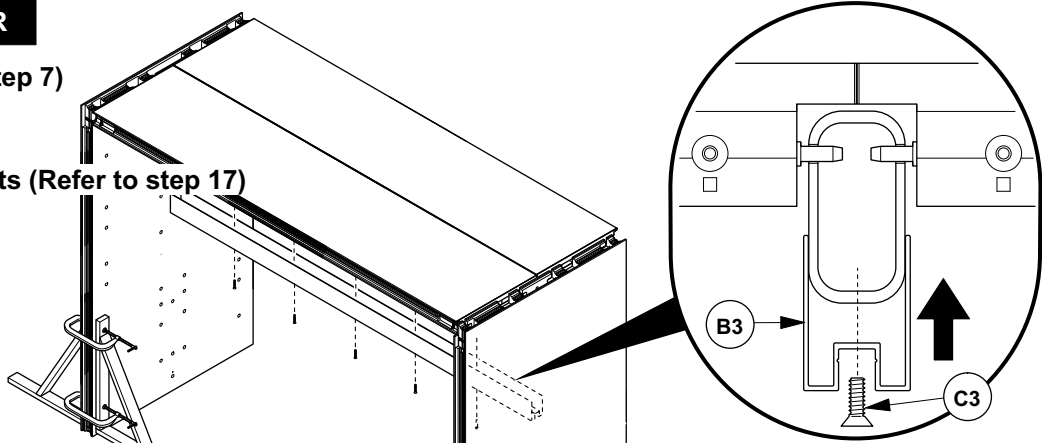
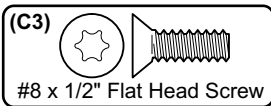


## FOR 76.5 HEIGHTS AND LOWER

### 25 Install shims (Refer to step 7)

### 26 Installing corner brackets (Refer to step 17)

### 27 Install beam cover (B3)

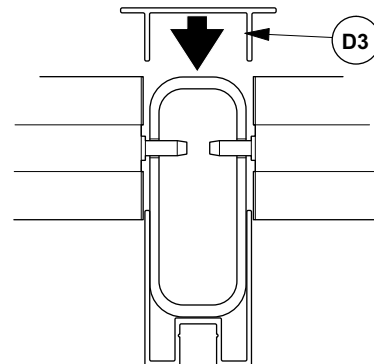


## 42" HORIZONTAL ASSEMBLY - 92.5 HEIGHT ONLY

### 28 Install top cap (D3)

### 29 Install center bracket (Refer to step 16)

### 30 Refer to "Stabilizer" (pages 4, 5 & 6)



CUSTOMER SERVICE PHONE: 1-800-426-8562

**HAWORTH**

E.C.O. No: 370-053

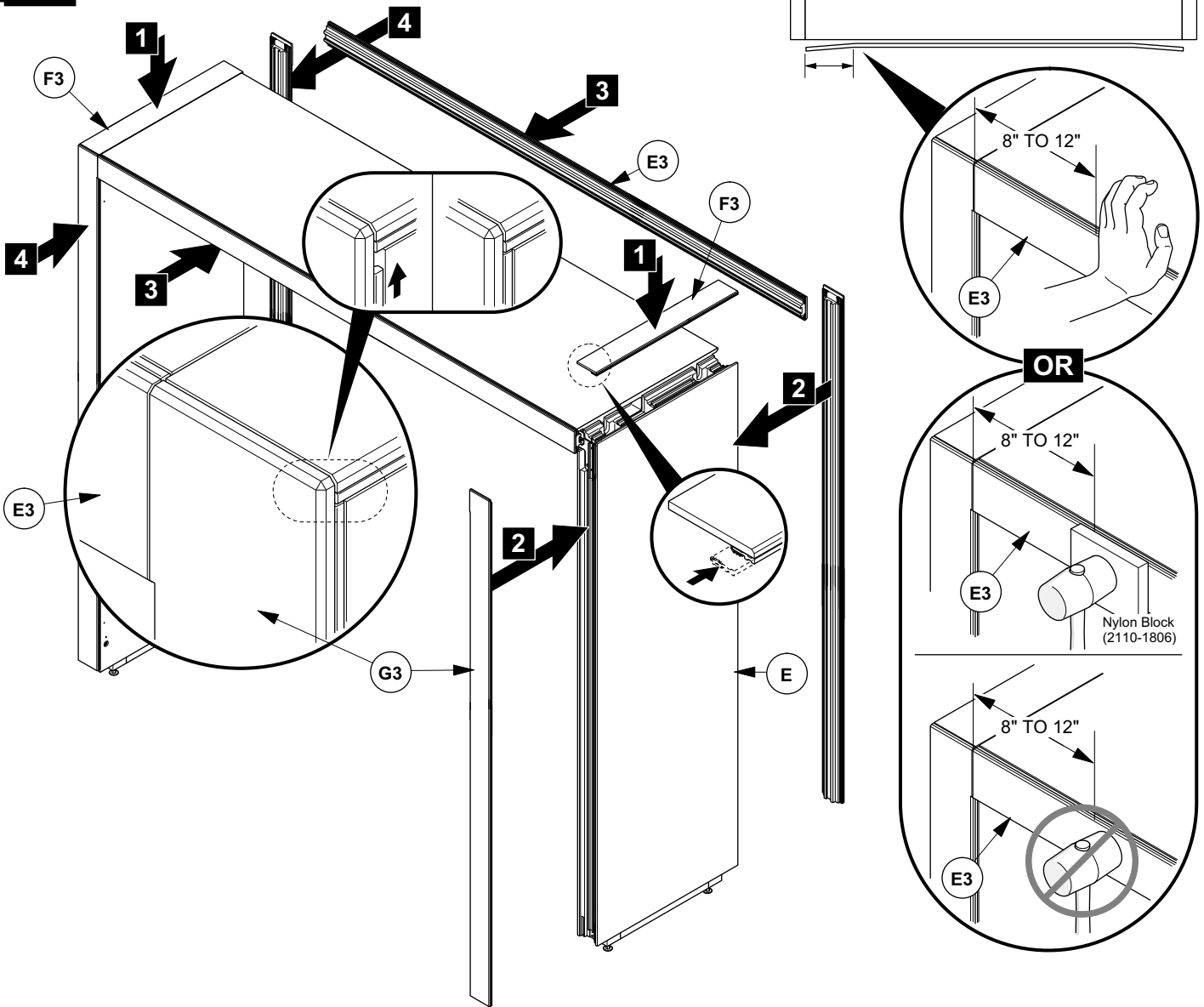
Page: 11 of 12

Part No: 7029-9799

Rev: A

31

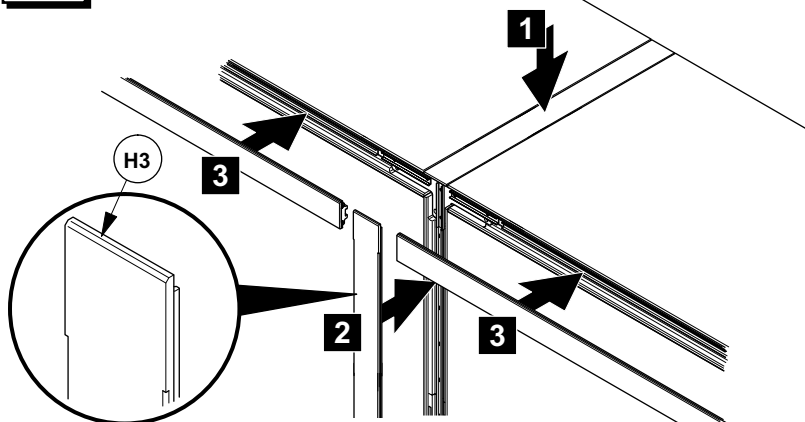
Install trim



FOR CENTER VERTICALS ONLY

32

Install center trim (H3)



CUSTOMER SERVICE PHONE: 1-800-426-8562

TRIM REMOVAL

33

