

**ACCESS CONTROL COVER KIT
ACCK-0002**

PART NO: 7020-6501	REV: A
DATE: MARCH 7, 1986	
PAGE: 1 OF 3	

**IN-LINE INSTALLATION (1) AND (2) PIECE
COVER SYSTEM**

NOTE: Access Control Covers are pre-assembled on door assembly when shipped. For installation of a new set of covers, refer to installation type and procedures.

1. Remove and discard existing cover assembly and hanger bracket. Open or remove adjacent raceway covers to provide clearance for new cover assembly installation.
2. Install new hanger bracket on glide housing starting from either side of glide housing. With the open part of hanger bracket facing glide housing (Fig. 1), go around glide and up until both tabs of hanger bracket engage both glide housing slots. Hanger bracket must be all the way forward in slots.
3. Remove one side cover from cover assembly and install remaining cover and end cap assembly so that end cap tab cutout is around glide stem (Fig. 2). Align side cover around glide housing tab and secure cover by pressing outer surface to engage plastic locking tape on cover and hanger bracket.

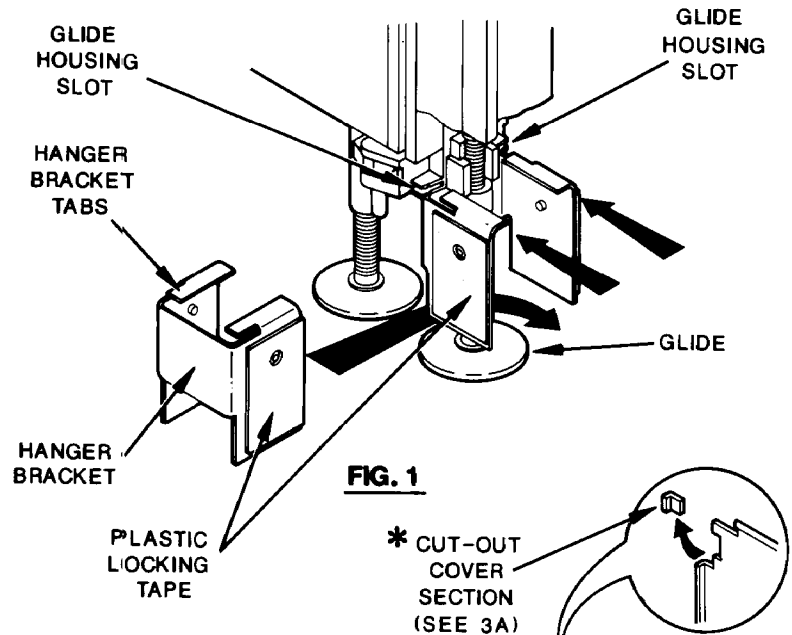


FIG. 1

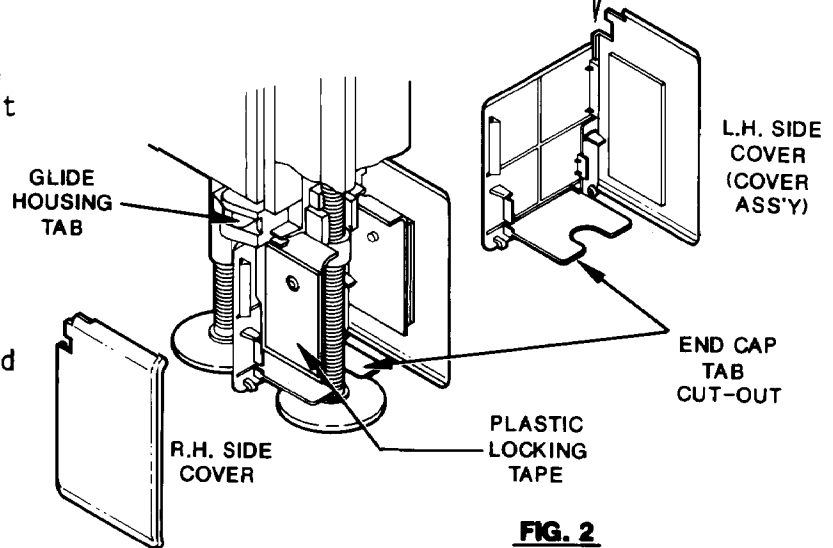


FIG. 2

*
3A. NOTE: For panels with plastic glide housings, it will be necessary to cut out cover section on L.H. cover only (Fig. 2).

4. Install remaining side cover to end cap (Fig. 3) and align side cover with glide housing tab. Secure to plastic locking tape and reinstall raceway cover on panel.

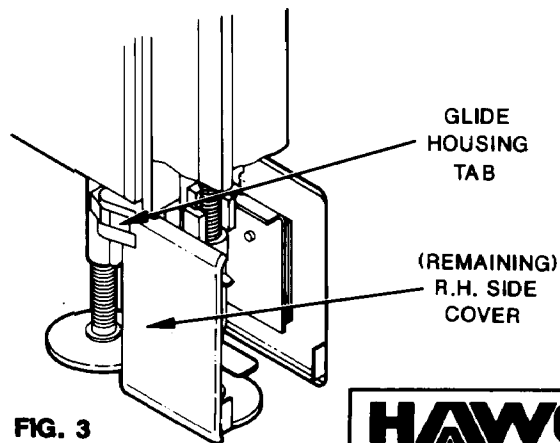


FIG. 3

HAWORTH

Haworth, Inc./One Haworth Center
Holland, Michigan 49423/(616) 392-5961

**ACCESS CONTROL COVER KIT
ACCK-0002**

PART NO: 7020-6501	REV: A
DATE: MARCH 7, 1986	
PAGE: 2 OF 3	

**ADJACENT 90° OR 180° FINISH POST COVER
INSTALLATION (1) PIECE COVER SYSTEM ONLY**

REPEAT STEPS 1 AND 2, PAGE 1.

3. Install bracket and cover assembly not used with finish post to door section using in-line installation instructions.
4. For finish post side of door section, mount hanger bracket and remove both side covers from end cap (Fig. 1). Save end cap for future reconfigurations. Mount side cover not used with finish post to opposite side of door section (Fig. 2).
5. Reinstall raceway cover to panel and insert finish post cover into raceway cover flange and latch. Snap finish post cover on finish post. Latch side cover to finish post cover, align side cover with glide tabs and secure to plastic locking tape on bracket (Fig. 3).

(SEE 3A, PAGE 1)

* CUT-OUT COVER SECTION

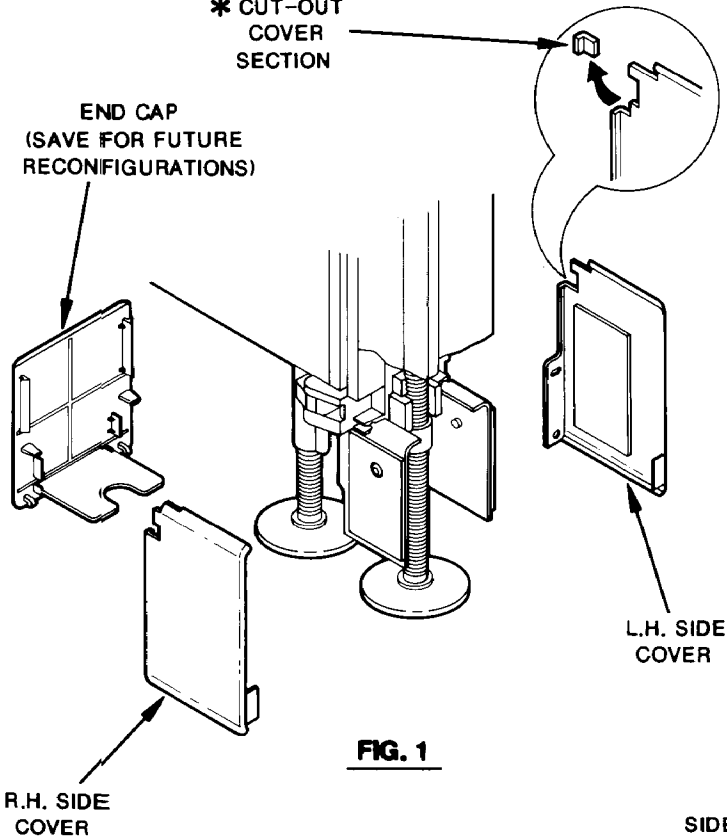


FIG. 1

SIDE COVER NOT USED

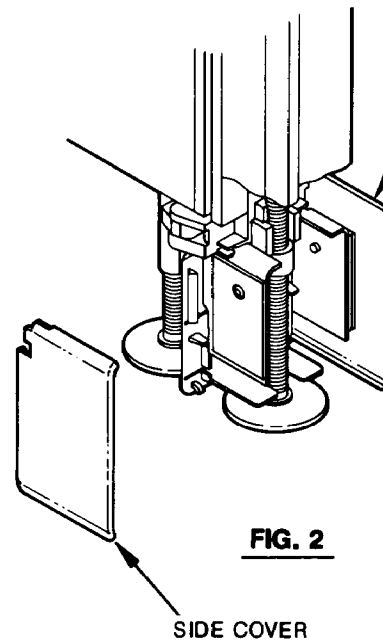


FIG. 2

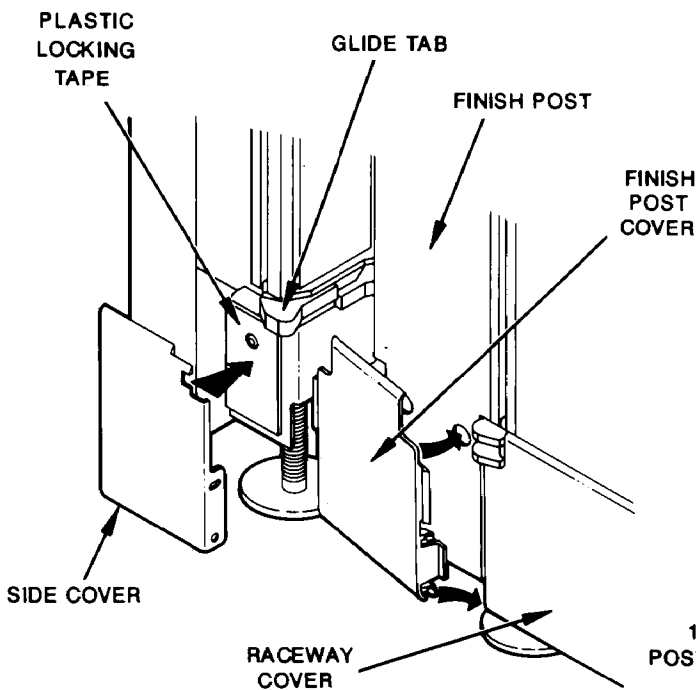


FIG. 3
180° FINISH
POST COVER SHOWN



Haworth, Inc./One Haworth Center
Holland, Michigan 49423/(616) 392-5961

**ACCESS CONTROL COVER KIT
ACCK-0002**

PART NO: 7020-6501	REV: A
DATE: MARCH 7, 1986	
PAGE: 3 OF 3	

**ADJACENT 90° OR 180° FINISH POST COVER
INSTALLATION (2) PIECE COVER SYSTEM ONLY**

REPEAT STEPS 1 AND 2, PAGE 1.

REPEAT STEPS 3 AND 4, PAGE 2.

- Reinstall raceway cover on panel and cut tab from finish post cover to clear flange on side cover (Fig. 2). Place finish post cover tab behind raceway cover and snap to finish post. Align side cover with glide tabs and secure to plastic locking tape on bracket.

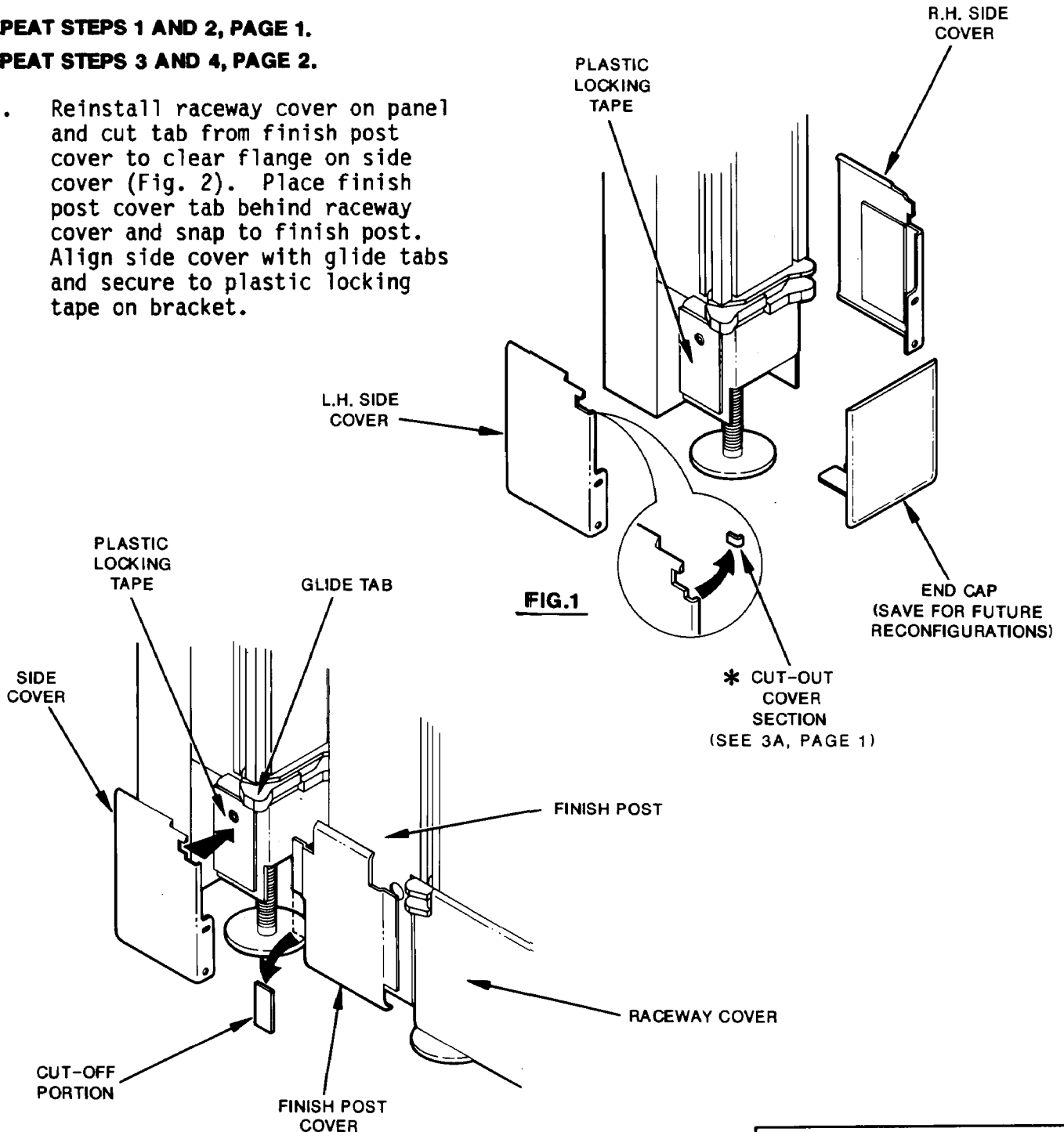


FIG. 2

HAWORTH
Haworth, Inc./One Haworth Center
Holland, Michigan 49423/(616) 392-5961