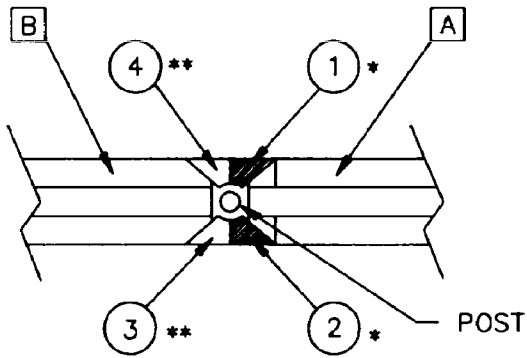
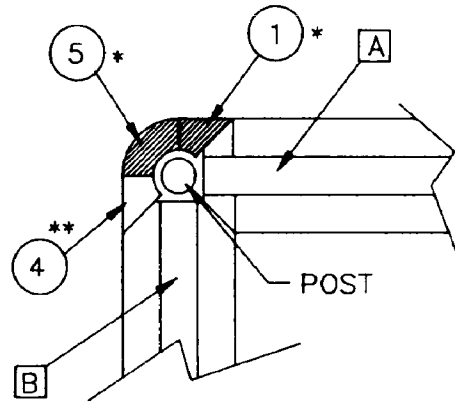


RC45R AND RC135 CONVERSION KIT

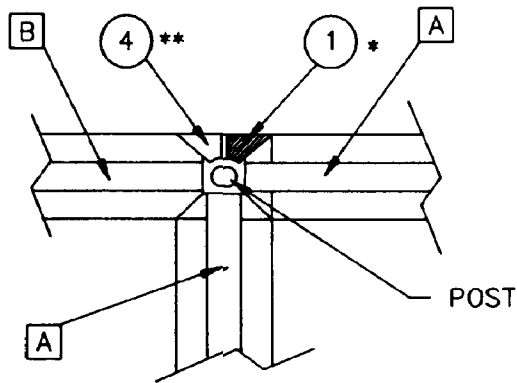
RC45R APPLICATIONS



IN-LINE, FIG.1



90°, FIG.2



3-WAY, FIG.3

**A** ALUMINUM RACEWAY

**B** STEEL RACEWAY

\* SUPPLIED WITH RC45R

\*\* SUPPLIED WITH STEEL RACEWAY BEAM

RC45R AND RC135 CONVERSION KIT

RC135 APPLICATIONS

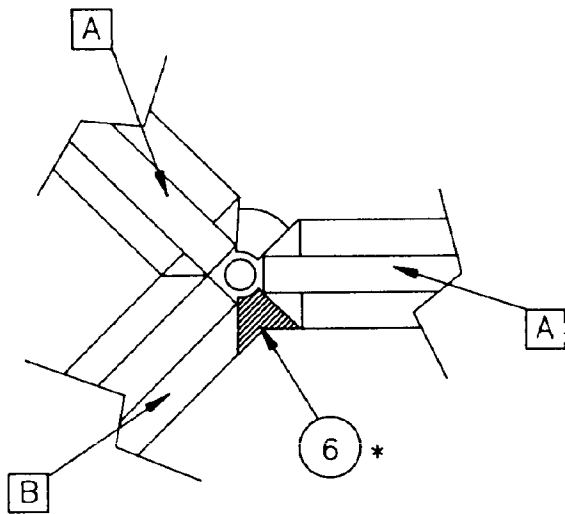


FIG. 5

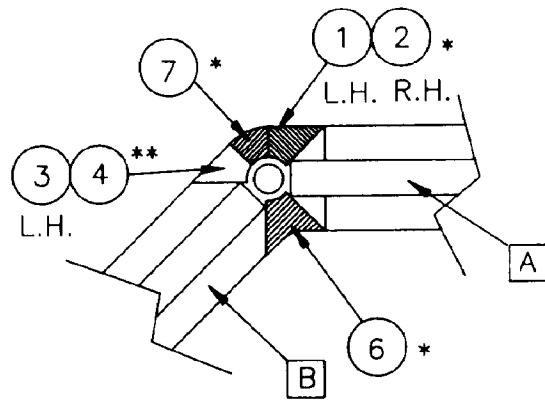


FIG. 4

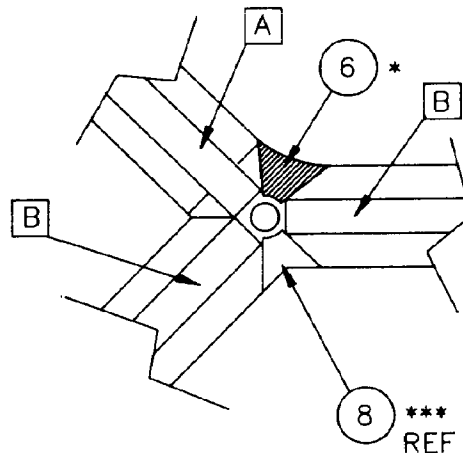


FIG. 6

**A** ALUMINUM RACEWAY

**B** STEEL RACEWAY

\* SUPPLIED WITH RC135

\*\* SUPPLIED WITH STEEL RACEWAY BEAM

\*\*\* SUPPLIED WITH RK135

(SEE INSTALLATION INSTRUCTIONS 10153601)

10166601 RACE INSTALLATION INSTRUCTIONS SH 3 OF 4

RC45R AND RC135 CONVERSION KIT

-NOTE- CONVERSION KIT CASTINGS ARE DESIGNED TO MOUNT ON BOTH STEEL R-POSTS, IDENTIFIED BY HAVING HEIGHT ADJUSTMENT AT ITS BASE AND ALUMINUM R-POSTS IDENTIFIED BY HAVING HEIGHT ADJUSTMENT FROM ABOVE. ALUMINUM R-POSTS MUST BE MODIFIED PRIOR TO INSTALLATION OF CONVERSION CASTINGS. REFER TO SHEET 4 AND FIGURE 7.

REFER TO INSTALLATION INSTRUCTIONS 10165701 (SUPPLIED WITH BEAM) TO MOUNT BEAM TO R-POST AND TO INSTALL POST TRIM CASTINGS.

RC45R:

POST TRIM CASTINGS SUPPLIED WITH RC45R KIT ARE TO BE POSITIONED ADJACENT TO THE ALUMINUM RACEWAY BEAMS. FIGURES 1, 2, AND 3 SHOW THE LOCATION OF THESE CASTINGS REQUIRED FOR VARIOUS CONFIGURATIONS.

RC135

POST TRIM CASTINGS SUPPLIED WITH THE RC135 KIT ARE TO BE POSITIONED ADJACENT TO THE ALUMINUM RACEWAY BEAMS. FIGURES 4, 5, AND 6 SHOW THE LOCATION OF THESE CASTINGS FOR POSSIBLE 135° CONFIGURATIONS.

# 10166601 RACE INSTALLATION INSTRUCTIONS SH 4 OF 4

## RC45R AND RC135 CONVERSION KIT

-NOTE- ALUMINUM R-POST APPLICATIONS (AN ALUMINUM R-POST CAN BE IDENTIFIED BY HAVING HEIGHT ADJUSTMENT FROM TOP OF POST.)

BEFORE CONVERSION KIT CASTINGS CAN BE INSTALLED, INDEX PLATE, ITEM 9, MUST BE REPLACED WITH SMOOTH DISC, ITEM 10, FURNISHED IN KIT. TO REPLACE INDEX PLATE, ITEM 9, REMOVE (4) CAPSCREWS, ITEM 11, AND (4) SPACERS, ITEM 12. DISCARD INDEX PLATE, ITEM 9, AND INSTALL DISC, ITEM 10, REUSING ITEMS 11 AND 12. NOTE THE RELATIONSHIP OF POST TO ALUMINUM RACEWAY BEAM. BEAM MUST BE IN LINE WITH CAPSCREWS AND SPACERS, ITEMS 11 AND 12. THIS MAY REQUIRE INDEXING POST 45° RELATIVE TO BEAM TO OBTAIN PROPER CLEARANCE BETWEEN CONVERSION CASTINGS AND CAPSCREWS, ITEM 11.

PROCEED WITH INSTALLATION.

