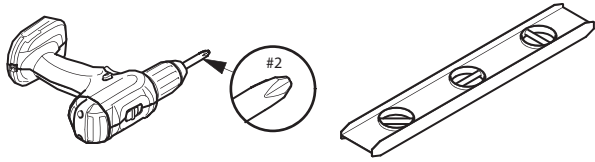
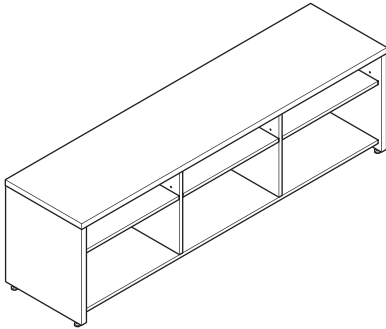


**A-SERIES®**  
**Common Components**  
Installation Instructions

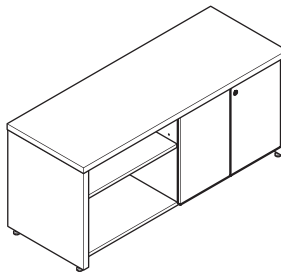
**Tools Required**



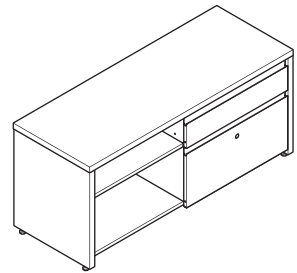
**Open Casegood**



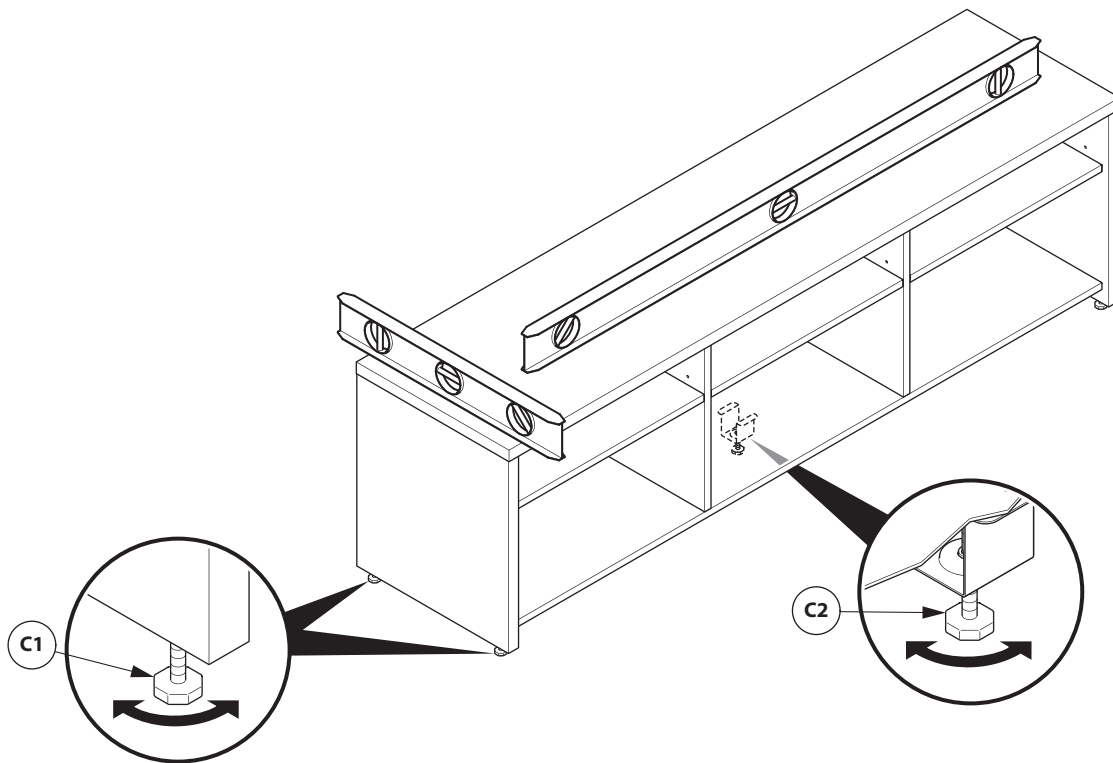
**Casegood with Doors**



**Casegood with Drawers**



**ADJUST GLIDES TO LEVEL UNIT**



CUSTOMER SERVICE PHONE: 1-800-426-8562

**HAWORTH®**

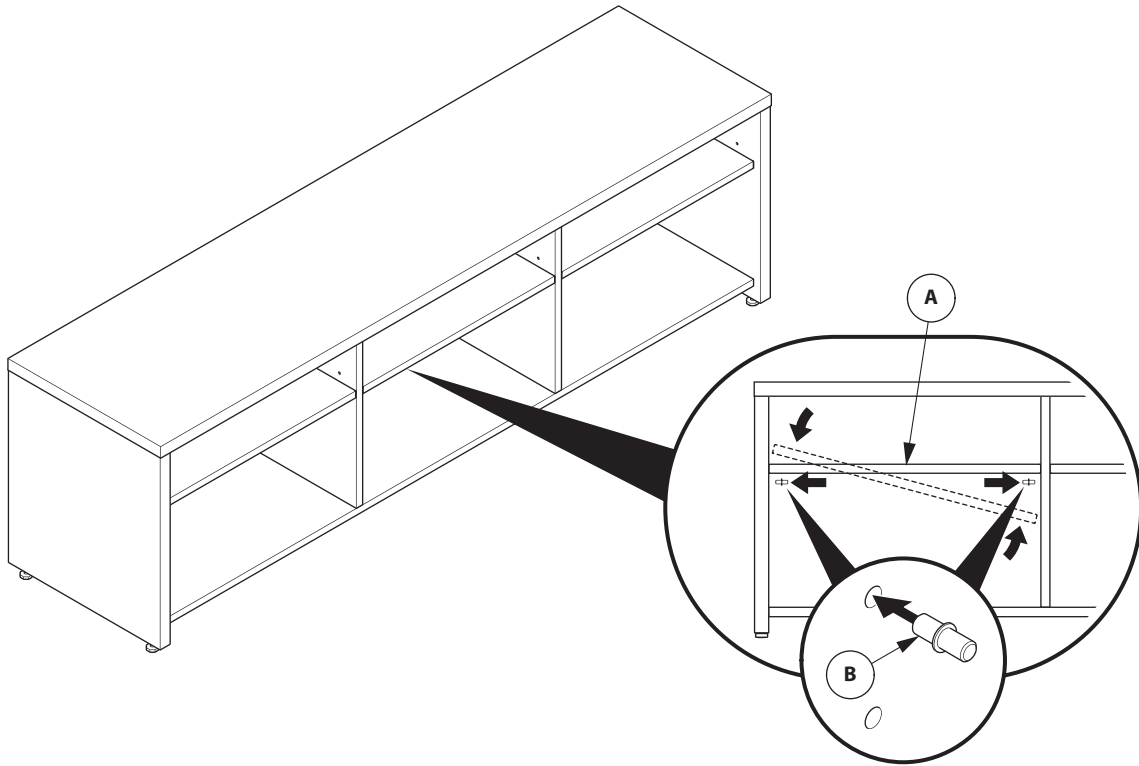
E.C.O. No: 350-922

Page: 1 of 2

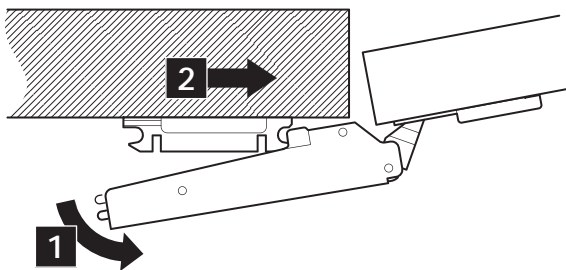
Part No: 7029-9877

Rev: A

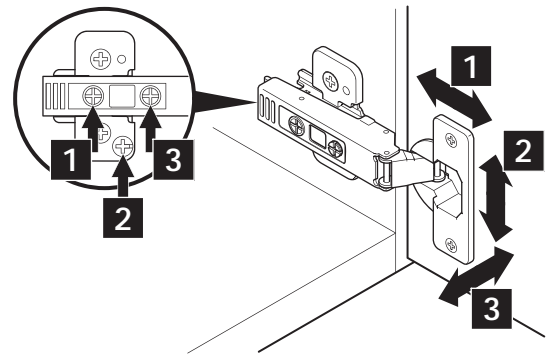
**SHELF PIN**



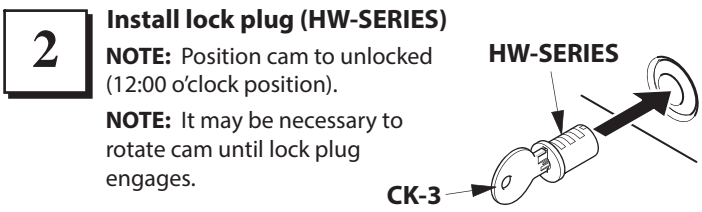
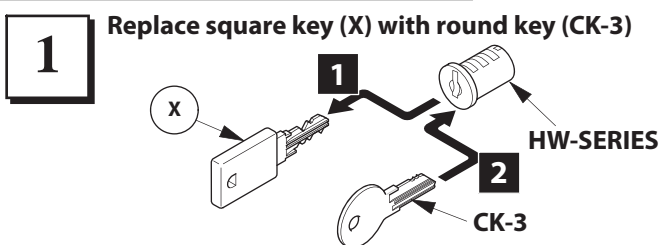
**DOOR INSTALLATION/REMOVAL**



**DOOR HINGE ADJUSTMENT**

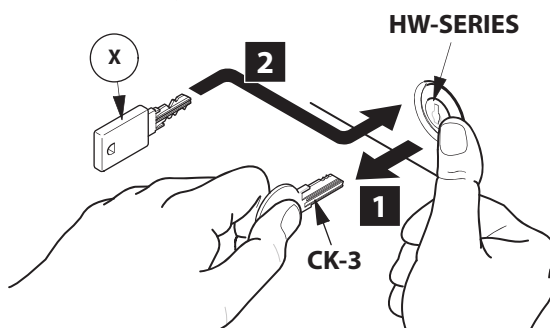


**OPTIONAL LOCK PLUG INSTALLATION**



**3** Remove round key (CK-3) and insert square key (X)

**NOTE:** Hold the lock plug (HW-SERIES) in place with thumb while removing the control key (CK-3).



CUSTOMER SERVICE PHONE: 1-800-426-8562