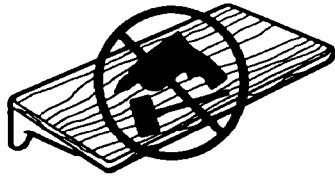


WOOD PLACES®
SUSPENDED DRAWER HOUSING
Installation Instructions

Use of tools

As with any wood furniture, extra care should be taken to prevent damage to the surface of the Wood PLACES® panels, components, and accessories while being handled and installed. Tools should not be placed directly on any wood product.



NOTE: Before installing suspended pedestal onto a work surface, drawer(s) must be removed from case to gain clearance for installing screws.

Only one drawer unit can be suspended from any work surface.

1. Remove drawer from case by extending drawer to full length and lifting up on lock levers located on each side of drawer (Fig. 1). Drawer will easily lift out.
2. Once work surface is installed, determine pre-drilled drawer location.
3. Place one spacer washer on each four (4) wood screws; start screws into work surface leaving a 3/16" gap between work surface and screw head (Fig. 2).
4. Place drawer housing over heads of screws. Slide housing back so screws seat in small portion of key slots (Fig. 2). Make sure housing front is properly aligned and perpendicular to the work surface. Tighten screws.

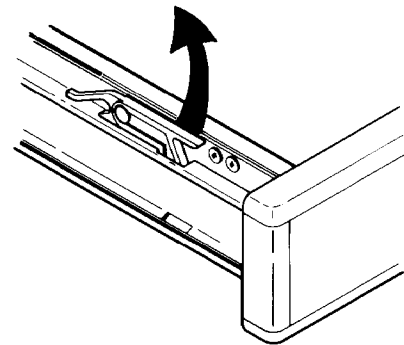


FIG. 1

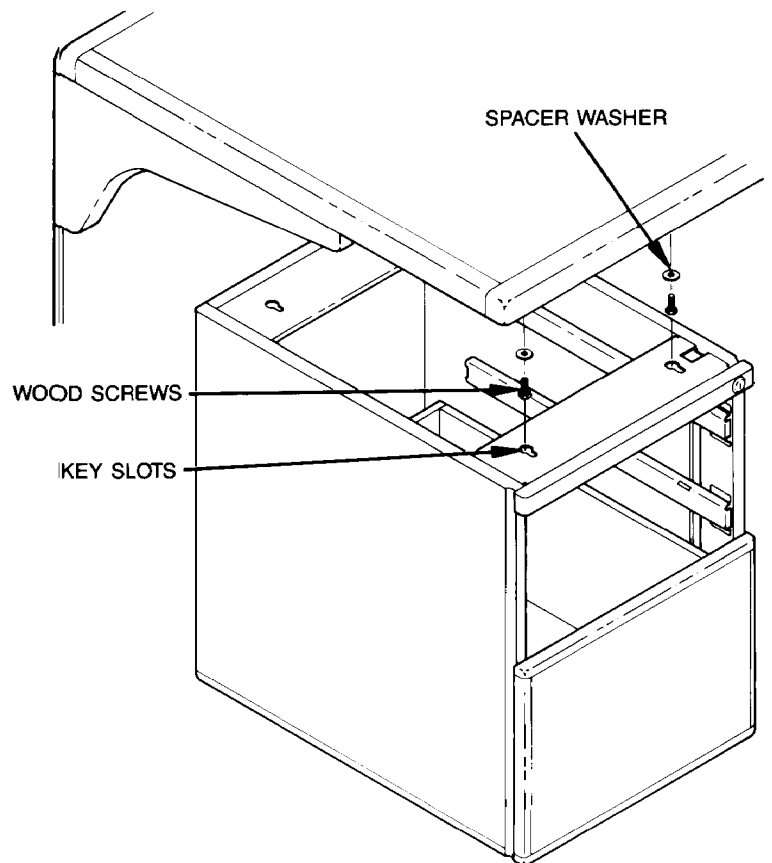


FIG. 2

5. Replace drawer(s) by placing drawer track on housing track. Slide drawer to rear of housing track until track rests against stop and lock levers snap into place (Fig. 3).

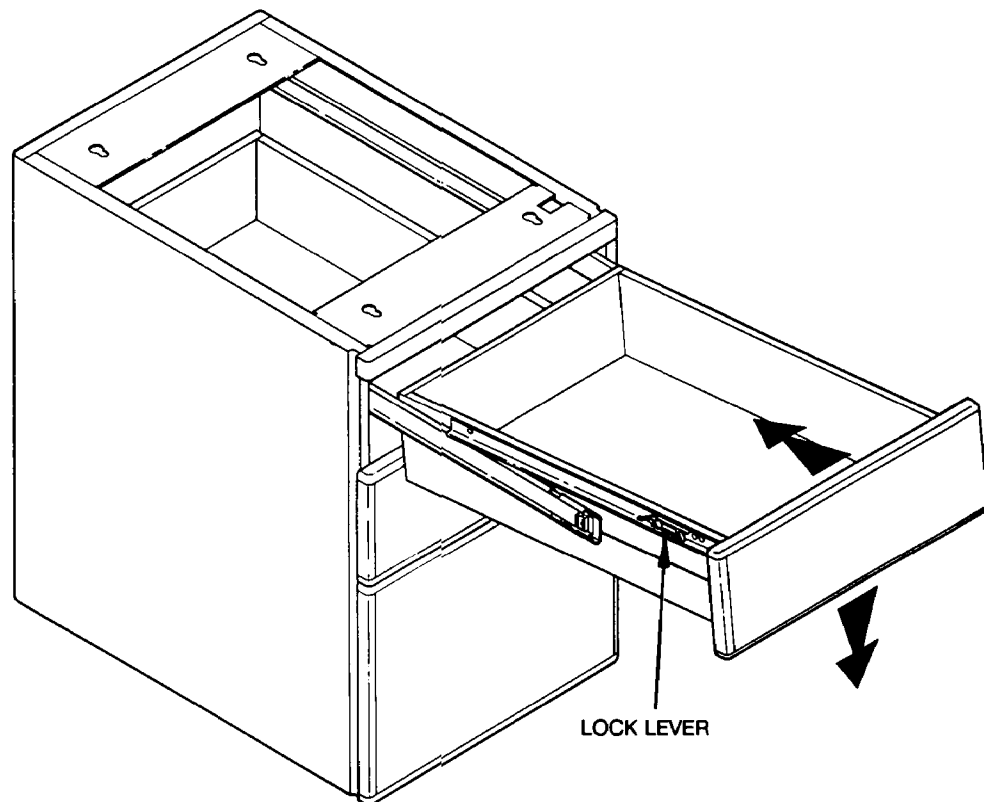


FIG. 3