

BELONG®
Structural Tiles
Installation Instructions

Tools Required

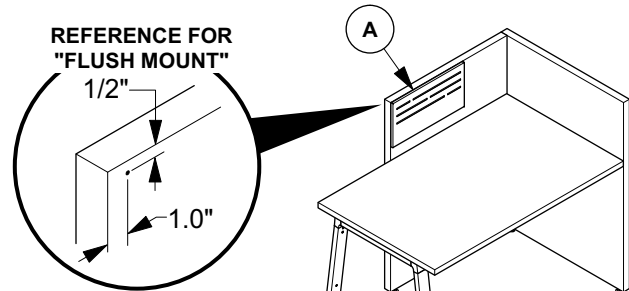
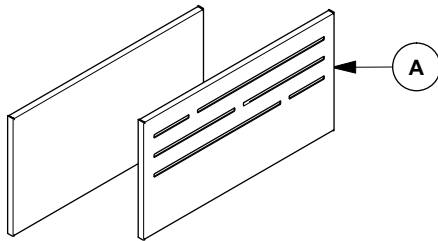
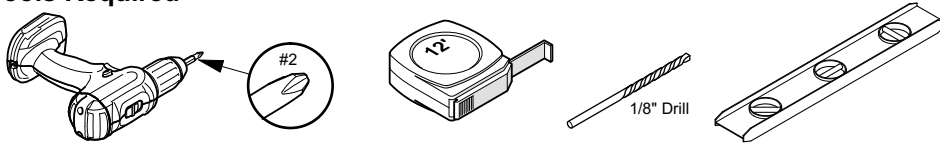
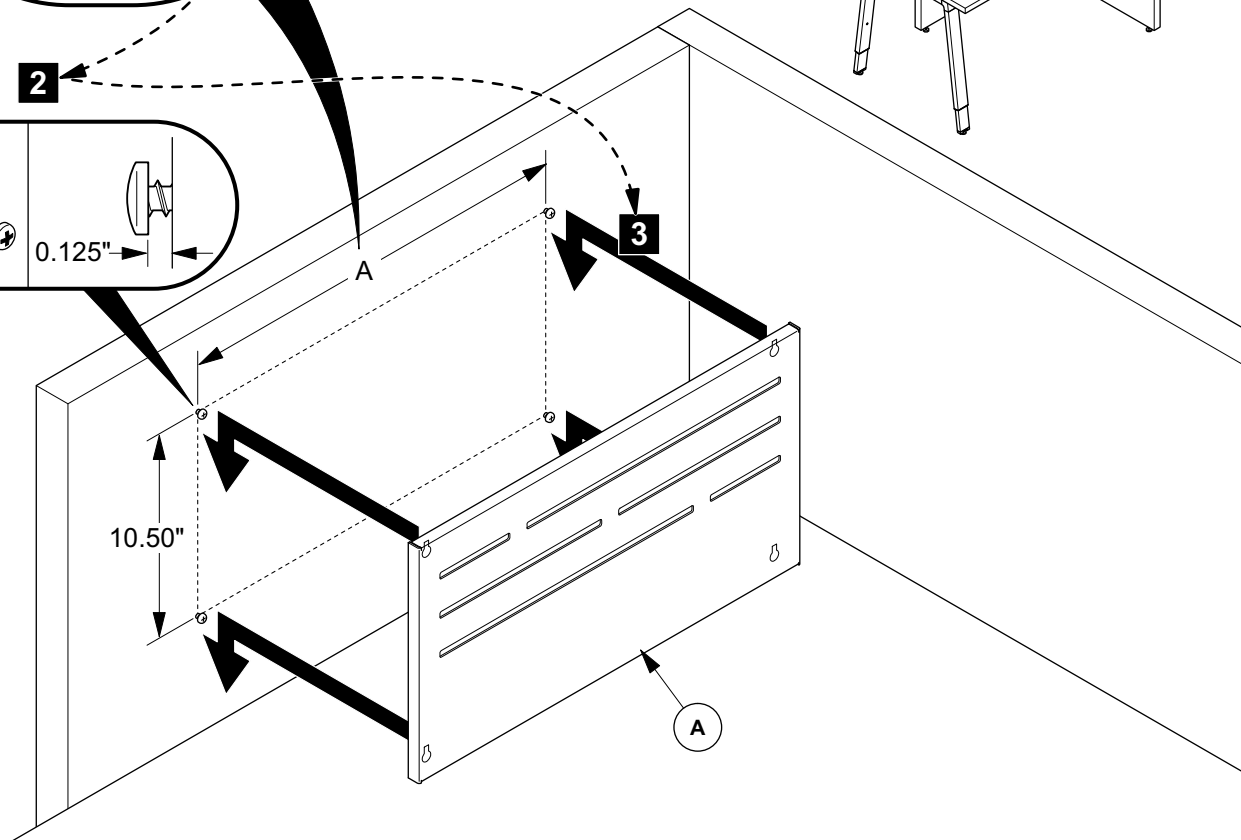
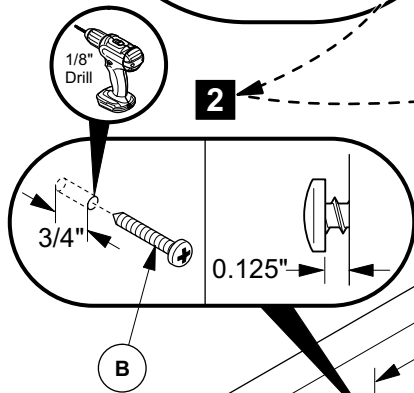
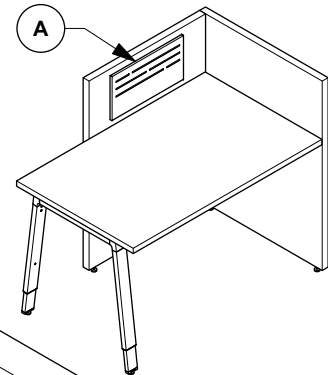


CHART FOR LOCATING SCREWS

Tile Width	A
18.00"	16.00"
22.50"	20.50"
27.00"	25.00"
31.50"	29.50"
36.00"	34.00"

OR



CUSTOMER SERVICE PHONE: 1-800-426-8562