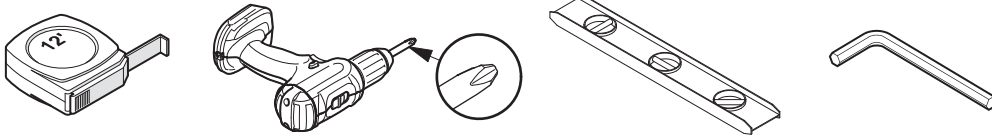


**BELONG®**  
**Three Sided Screen**  
**Installation Instructions**

No Scale

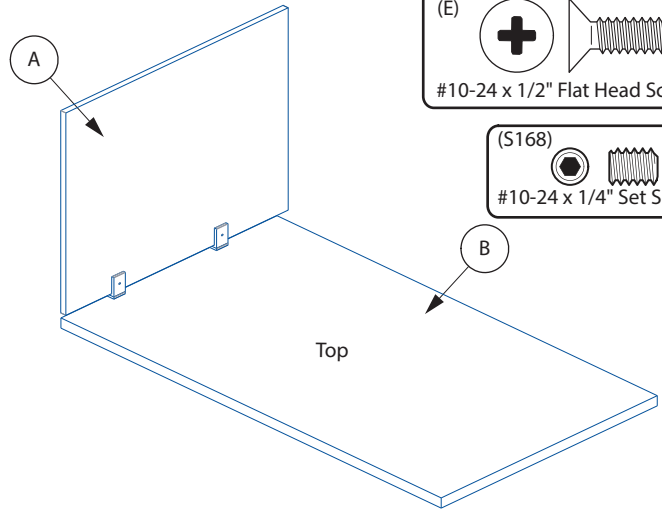
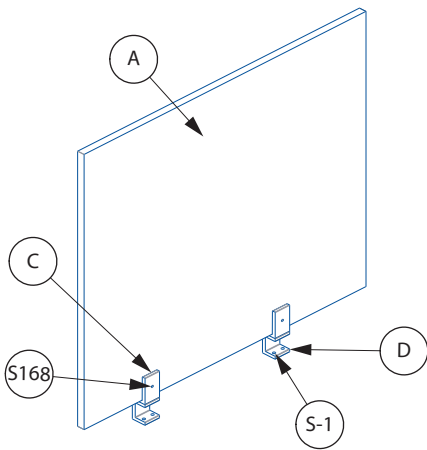
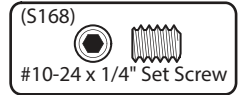
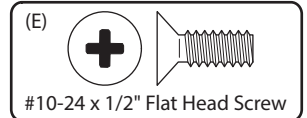
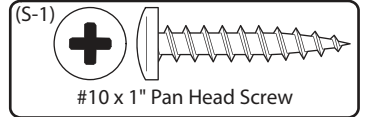
Tools Required



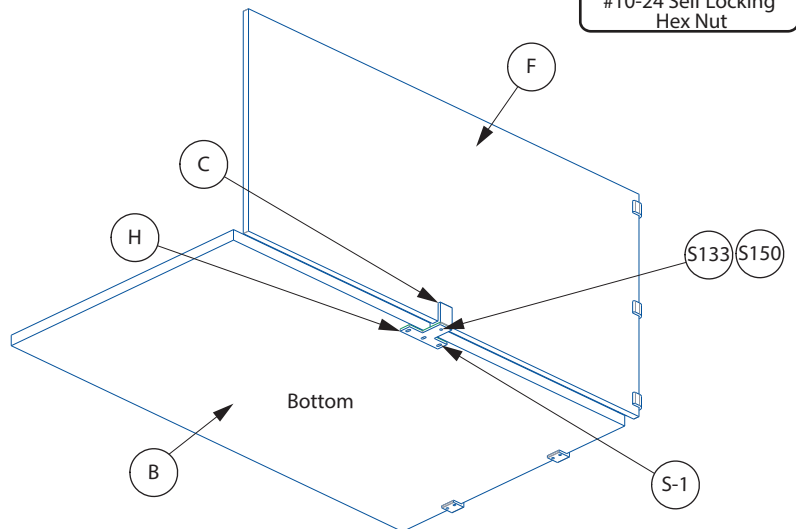
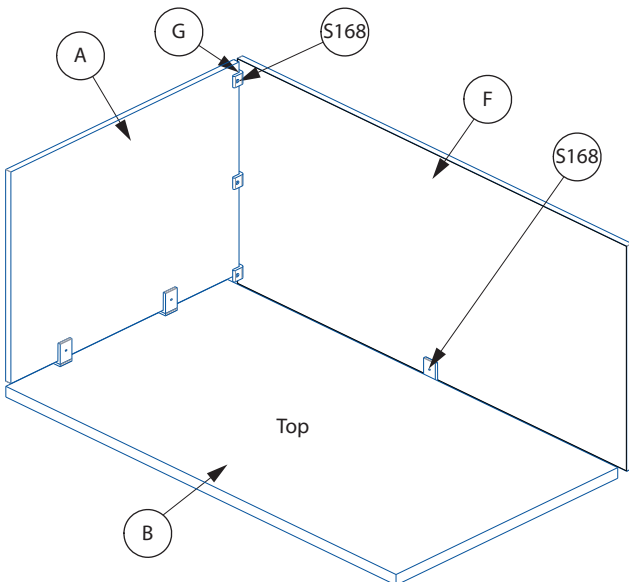
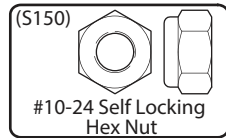
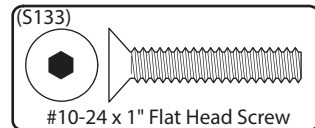
**FULL WRAP SCREEN**

Reference 7029-9712 for standard attachment and connection details.

- 1** Attach Side Screen (A) to Surface (B) using U-Bracket (C) and Clamp Bracket (D). Line up the front edge of Side Screen (A) with the front edge of Surface (B). Attach Clamp (D) to U-Bracket (C) using Flat Head Screw (E). Screw U-Bracket (C) to Screen (A) using Set Screw (S168).



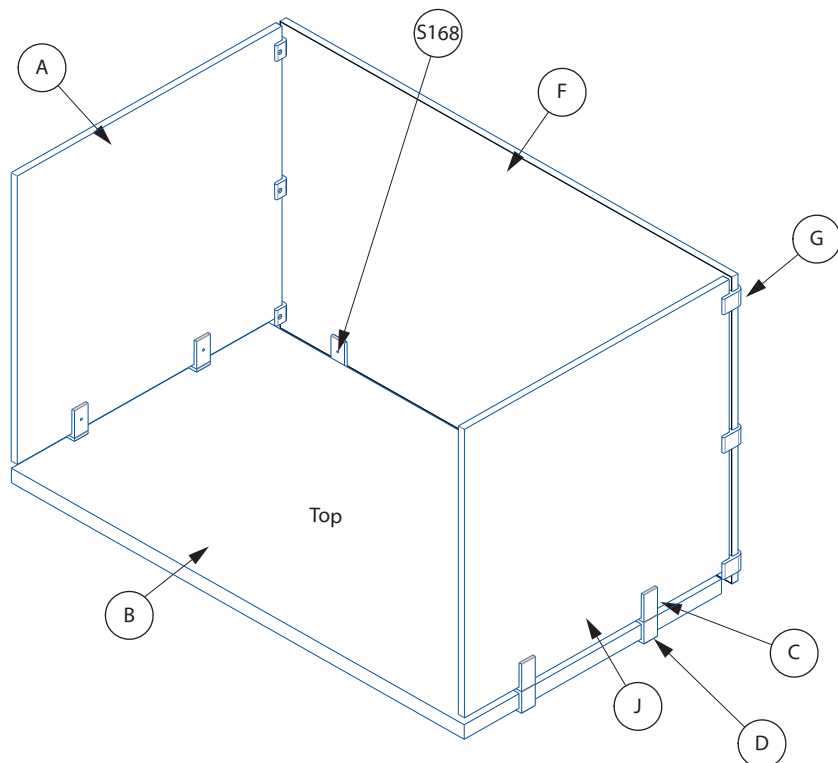
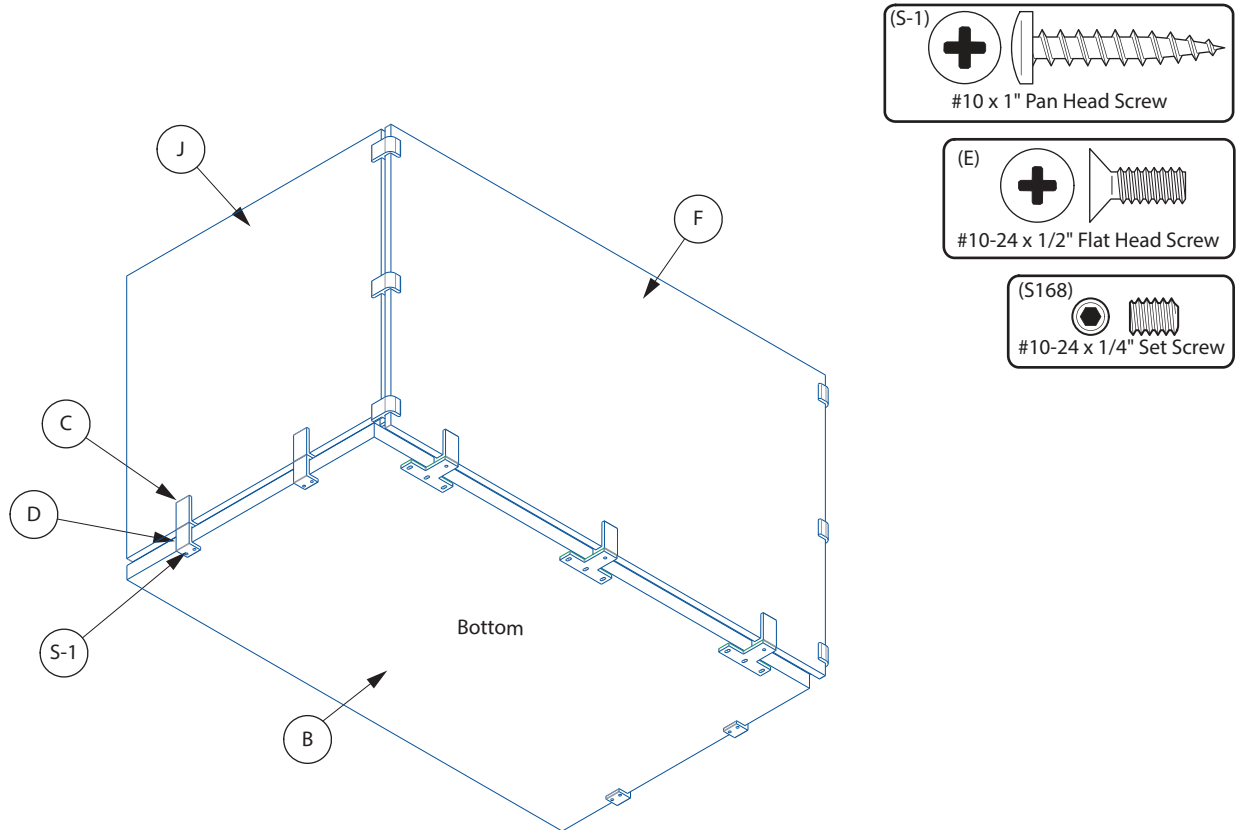
- 2** Attach Rear Screen (F) to Side Screen (A) using Corner Bracket (G) and attach to Surface (B) using U-Bracket (C) and T-Bracket (H). Center and screw T-Bracket to bottom of Surface (B).



CUSTOMER SERVICE PHONE: 1-800-426-8562

3

Attach Side Screen (J) to Surface (B) and to Rear Screen (F). Use Corner Brackets (G) with Set Screws (S168) to attach to Rear Screen (F). Use U-Bracket (C), Screw(E), Clamp (D), and Screw ((S-1) to attach to Surface (B).



CUSTOMER SERVICE PHONE: 1-800-426-8562

**HAWORTH**<sup>®</sup>

E.C.O. No: 819-192

Page: 2 of 2

Part No: 7428-2960

Rev: B