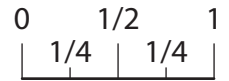


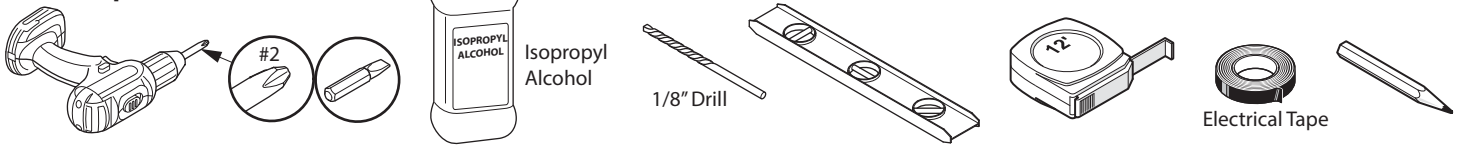
BE_HOLD™

Bookcases & Accessories Installation Instructions

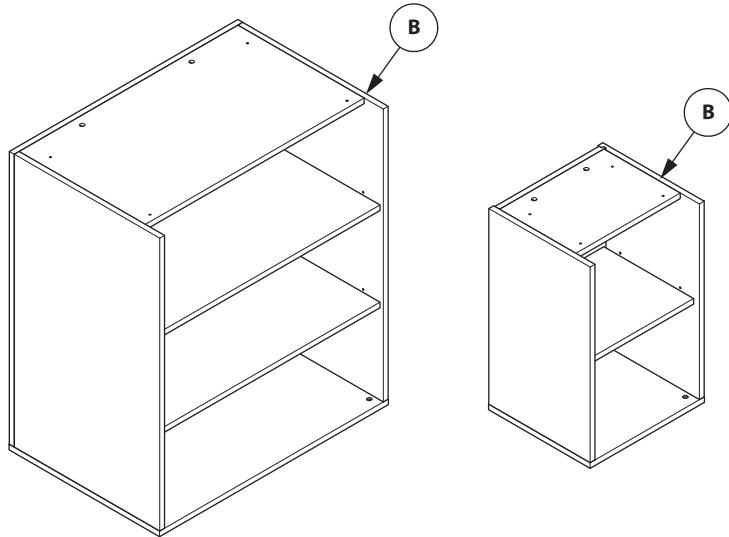


Scale 1 : 1

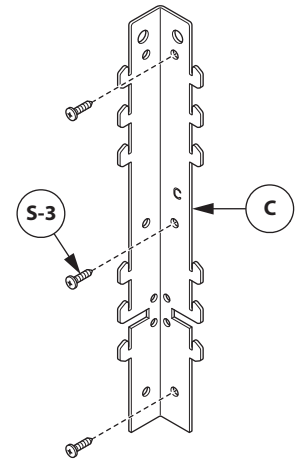
Tools Required



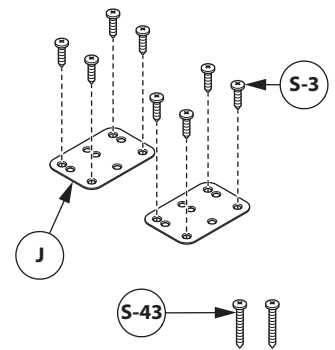
Bookcase



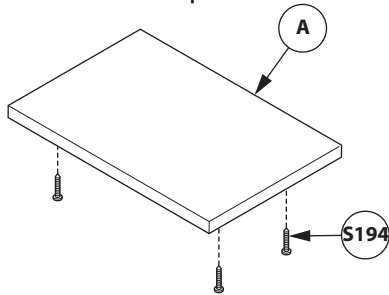
Panel Bracket



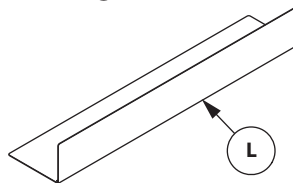
Ganging Kit



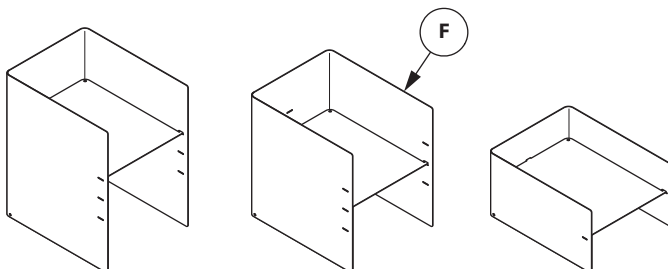
Top



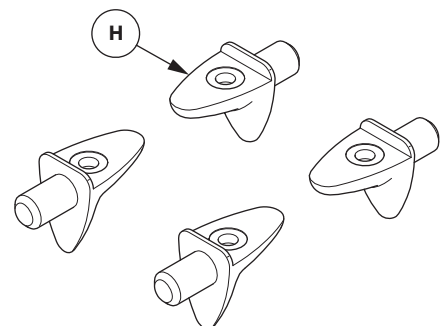
Bag Liner



Cubby Shelves



Shelf Pins



CUSTOMER SERVICE PHONE: 1-800-426-8562

HAWORTH

E.C.O. No: 781-431

Page: 1 of 5

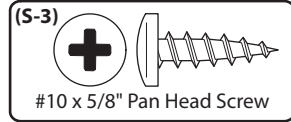
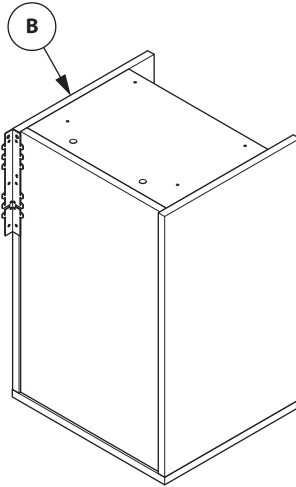
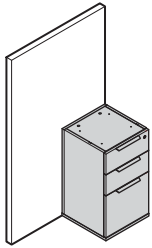
Part No: 6100-0129

Rev: 1

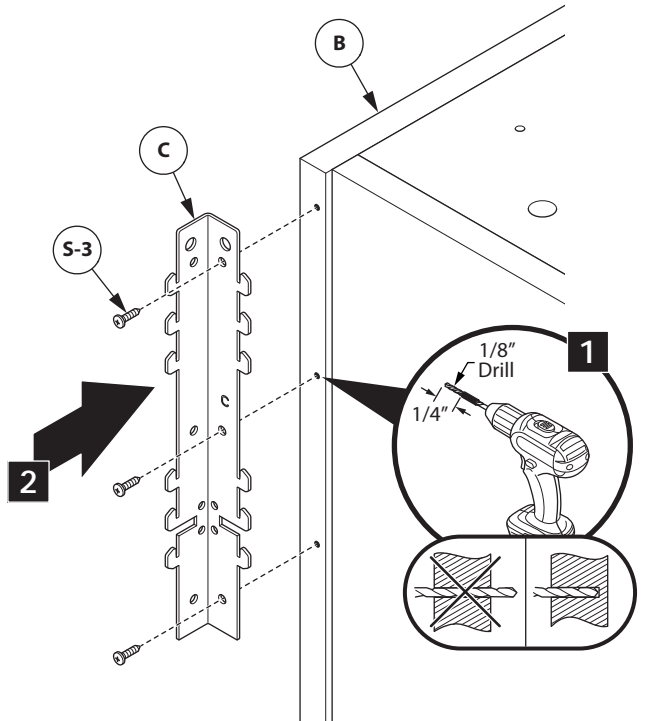
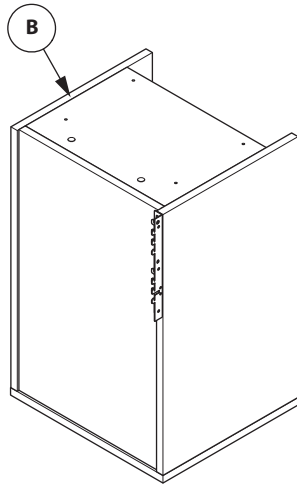
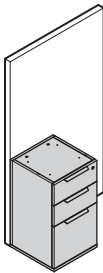
PANEL BRACKET INSTALLATION

1

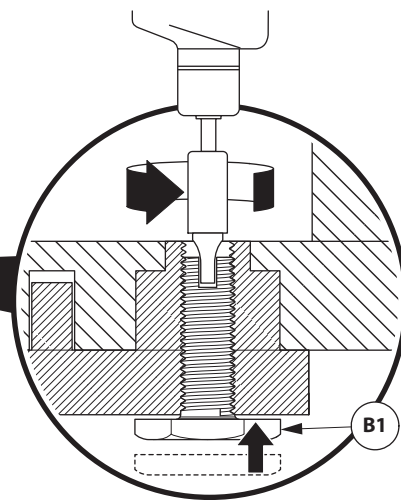
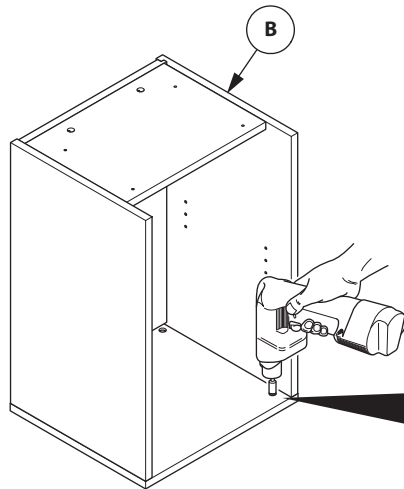
RIGHT HAND APPLICATION



LEFT HAND APPLICATION



2



CUSTOMER SERVICE PHONE: 1-800-426-8562

HAWORTH

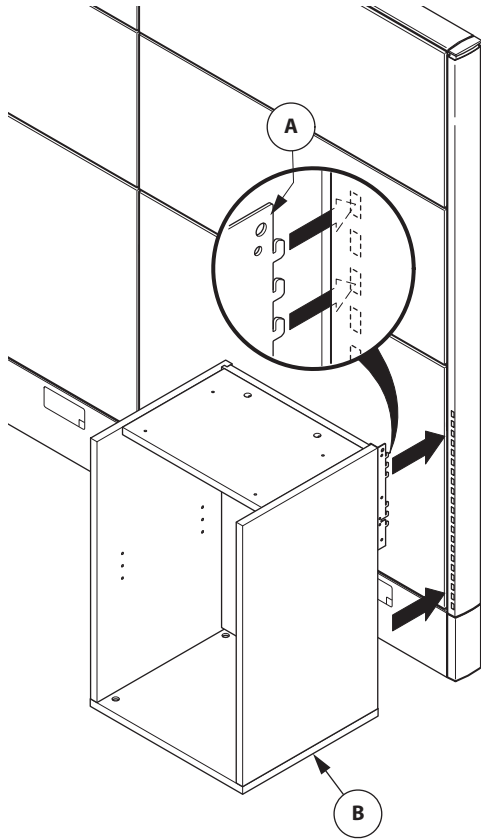
E.C.O. No: 781-431

Page: 2 of 5

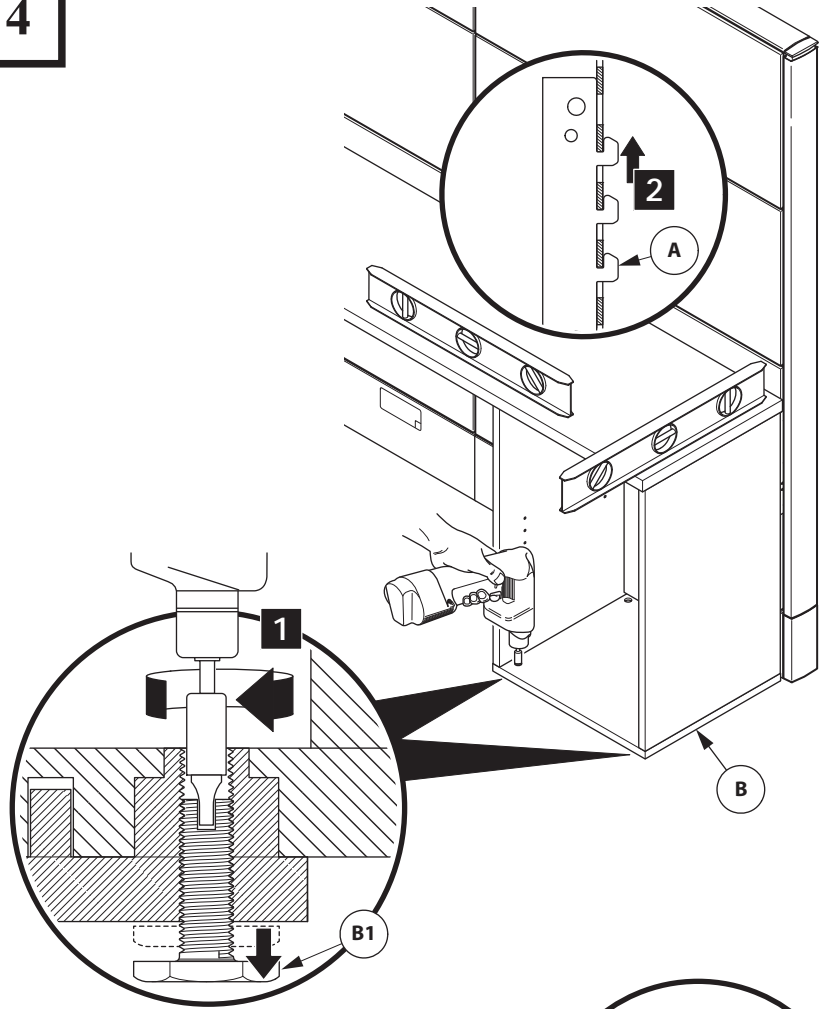
Part No: 6100-0129

Rev: 1

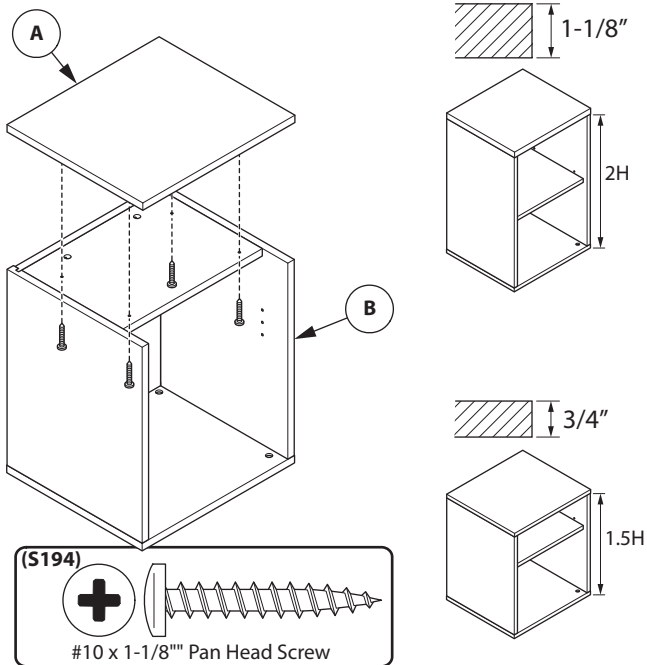
3



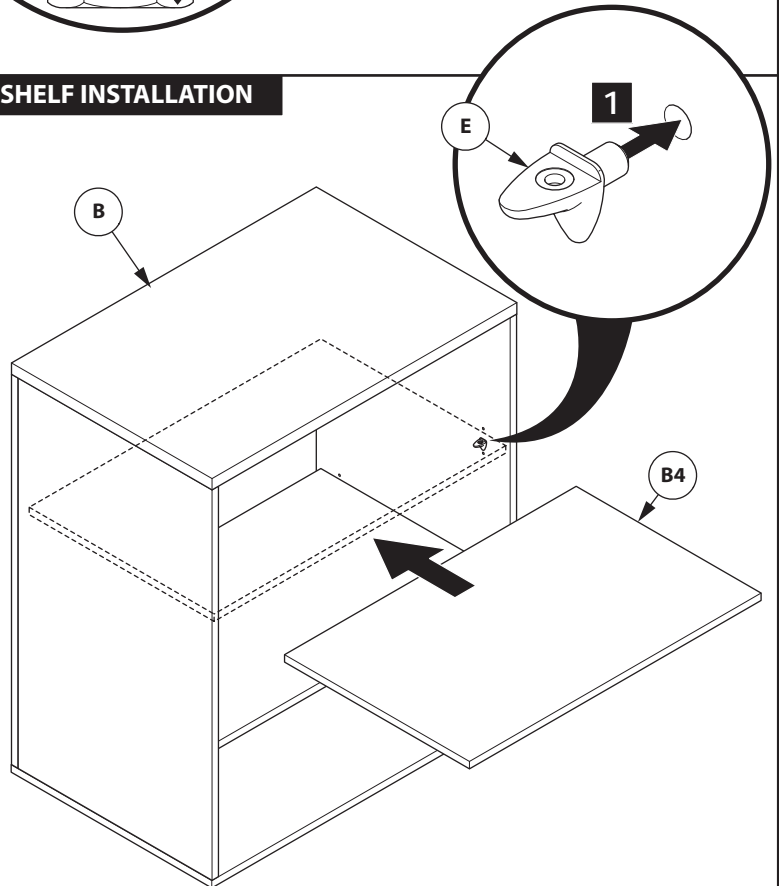
4



TOP INSTALLATION



SHELF INSTALLATION



CUSTOMER SERVICE PHONE: 1-800-426-8562

HAWORTH

E.C.O. No: 781-431

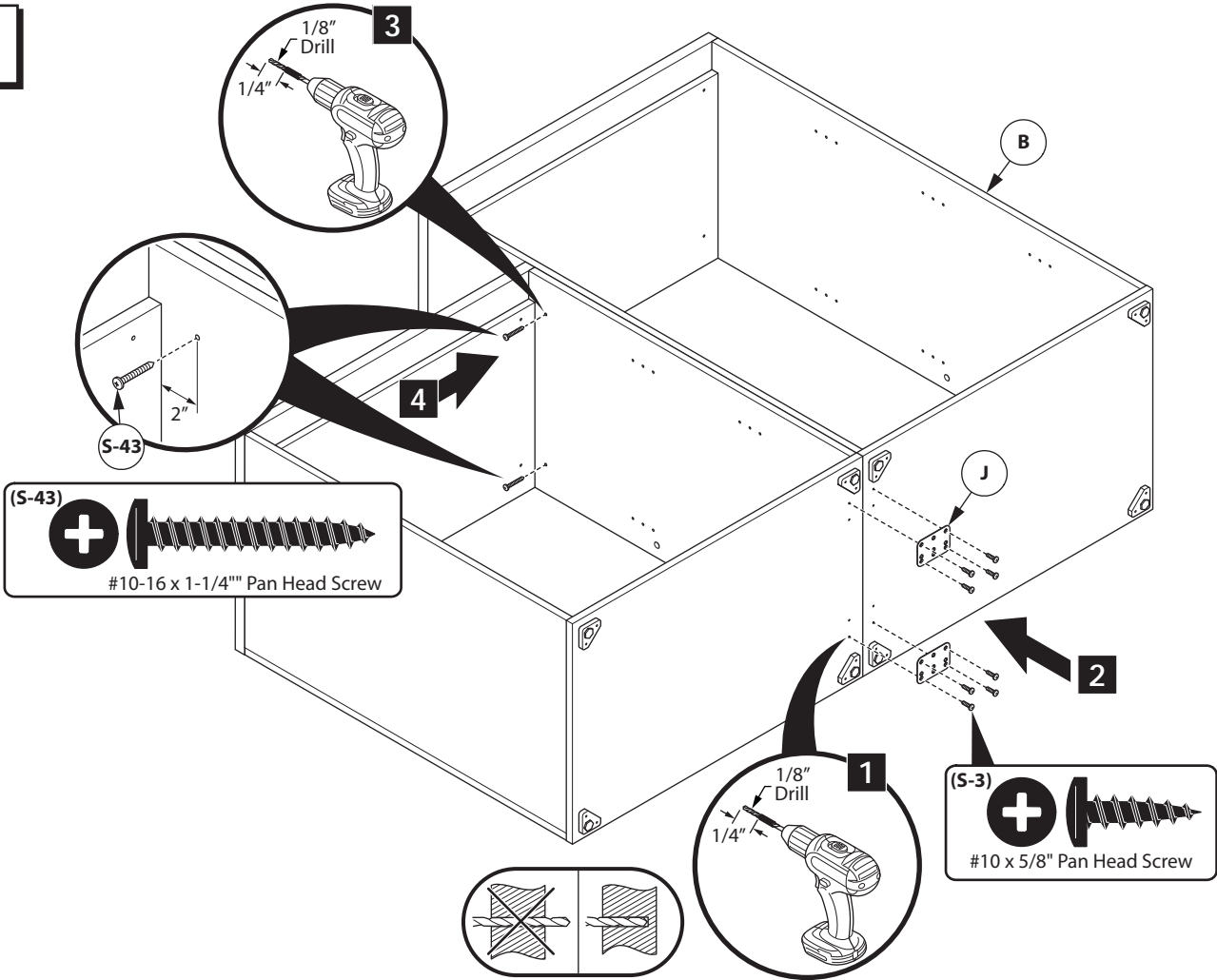
Page: 3 of 5

Part No: 6100-0129

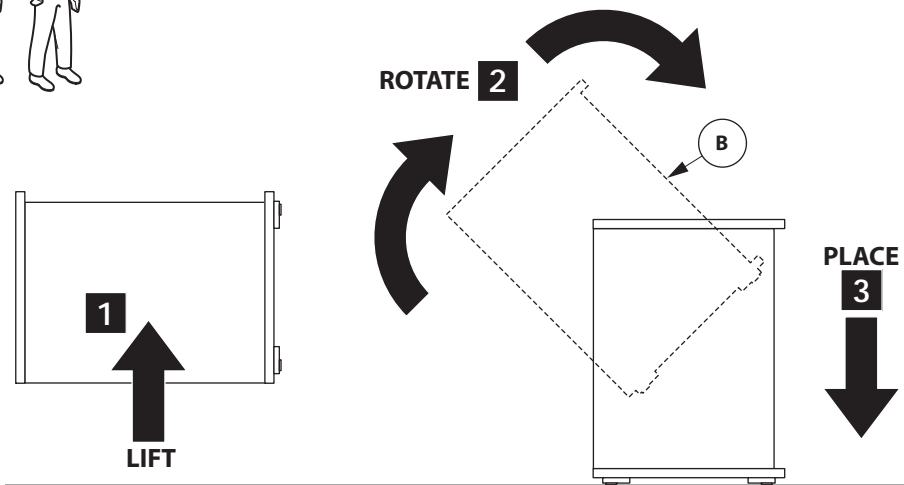
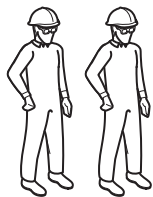
Rev: 1

GANGING INSTALLATION

1



2



CUSTOMER SERVICE PHONE: 1-800-426-8562

HAWORTH

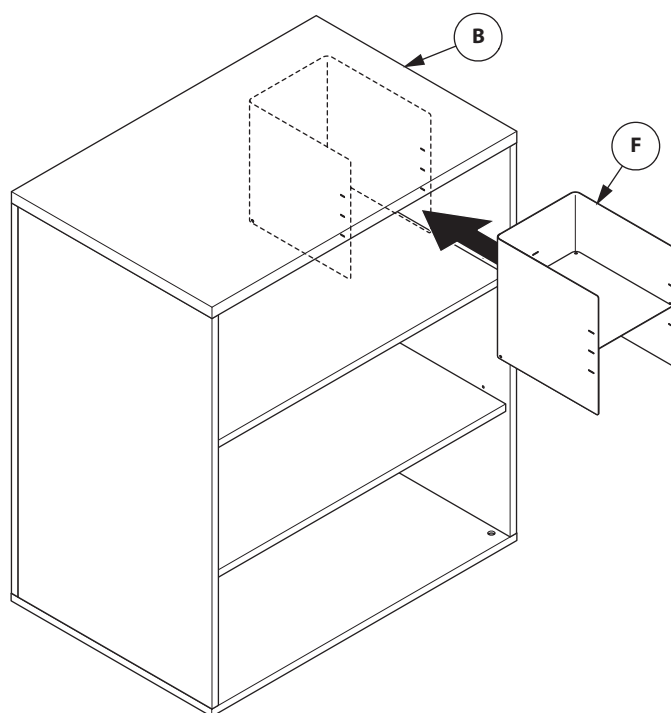
E.C.O. No: 781-431

Page: 4 of 5

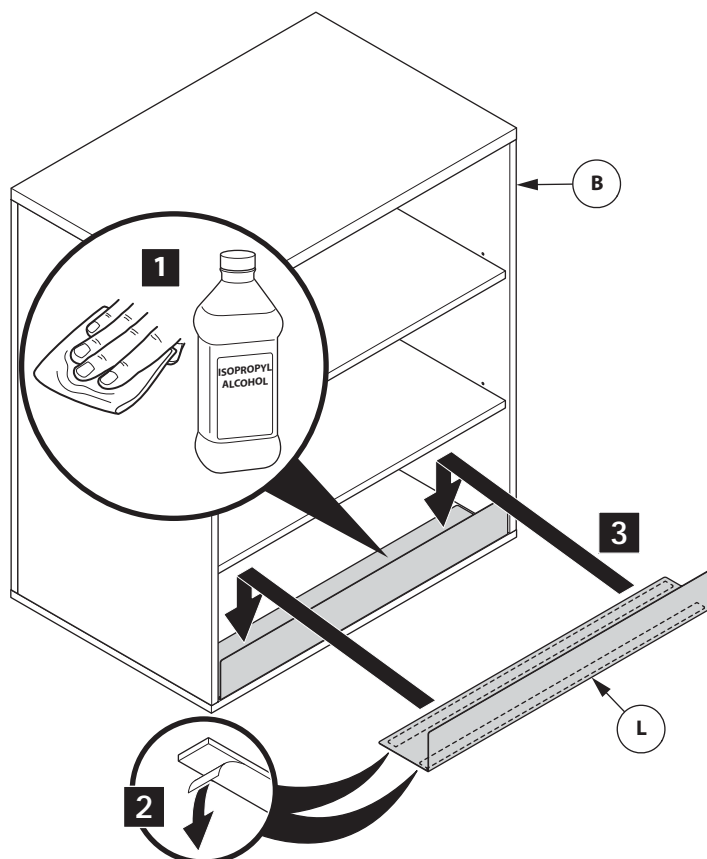
Part No: 6100-0129

Rev: 1

CUBBY SHELVES INSTALLATION



BAG LINER INSTALLATION



CUSTOMER SERVICE PHONE: 1-800-426-8562

HAWORTH

E.C.O. No: 781-431

Page: 5 of 5

Part No: 6100-0129

Rev: 1