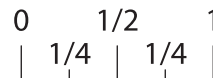


ATWELL®
Frame Weldment - Side Chair
 Installation Instructions

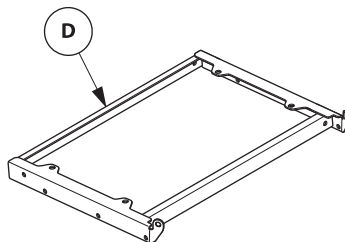


Scale 1 : 1

Tools Required

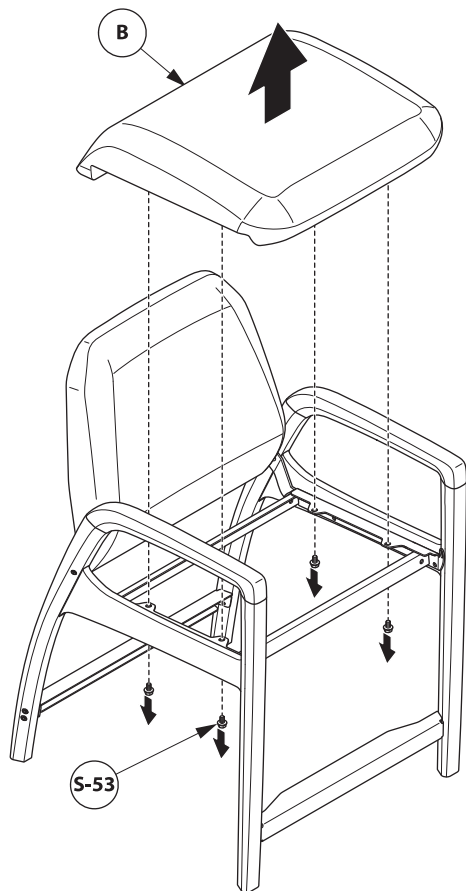
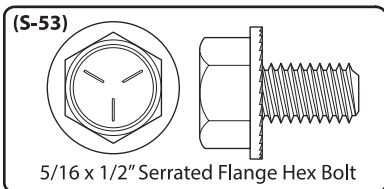


Parts



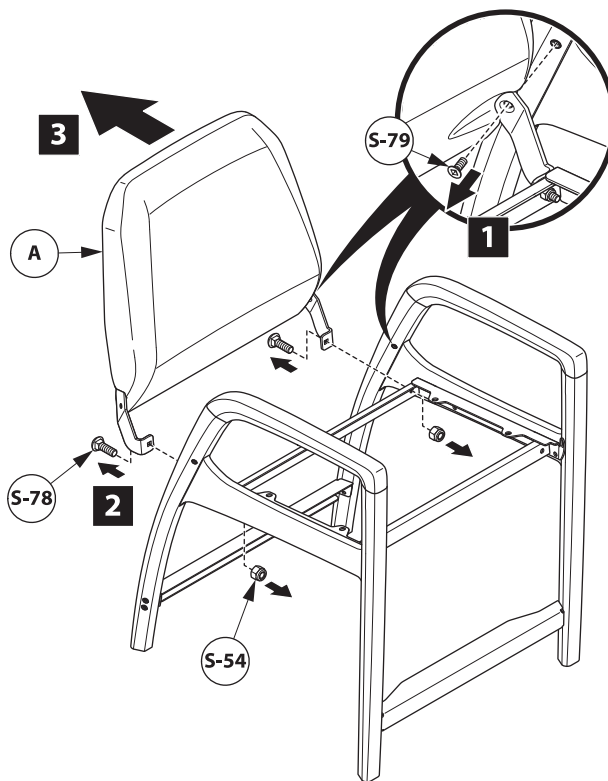
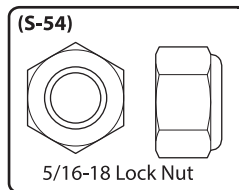
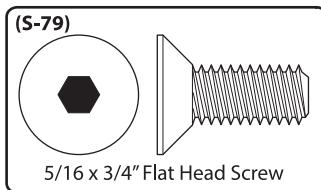
Seat Removal

1



Back Removal

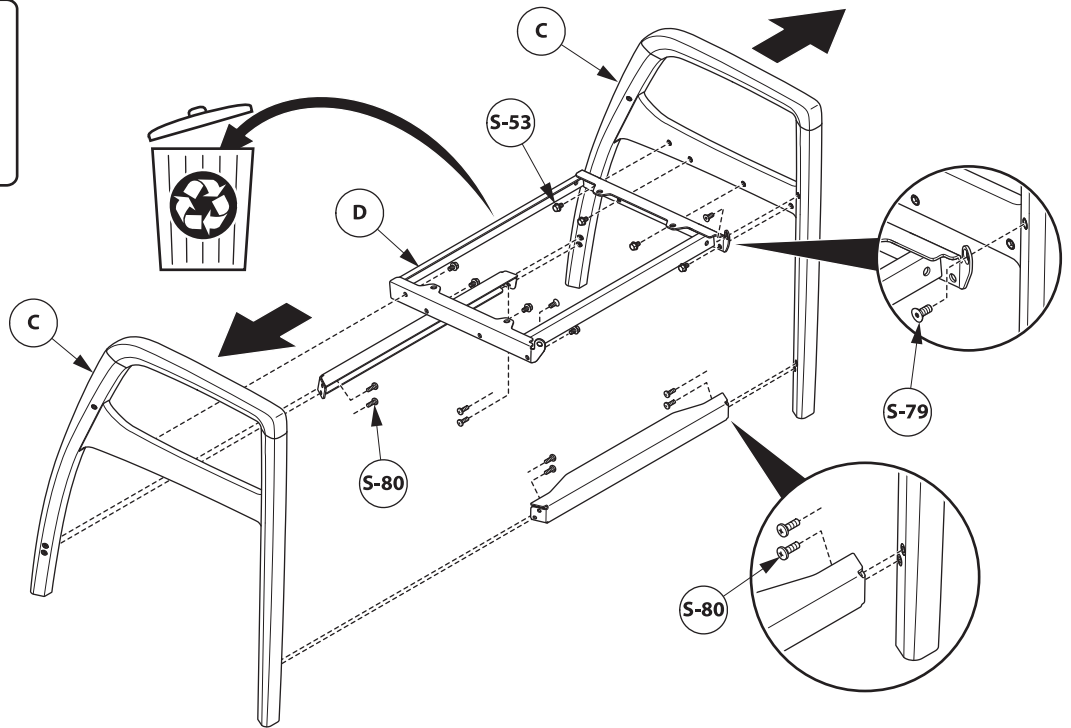
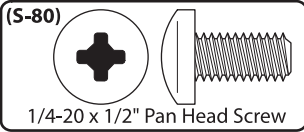
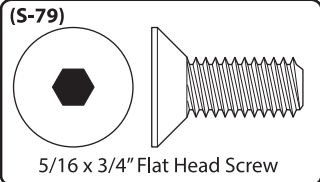
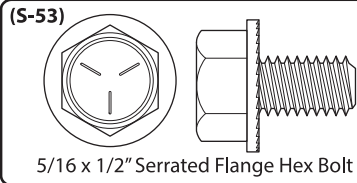
2



CUSTOMER SERVICE PHONE: 1-800-426-8562

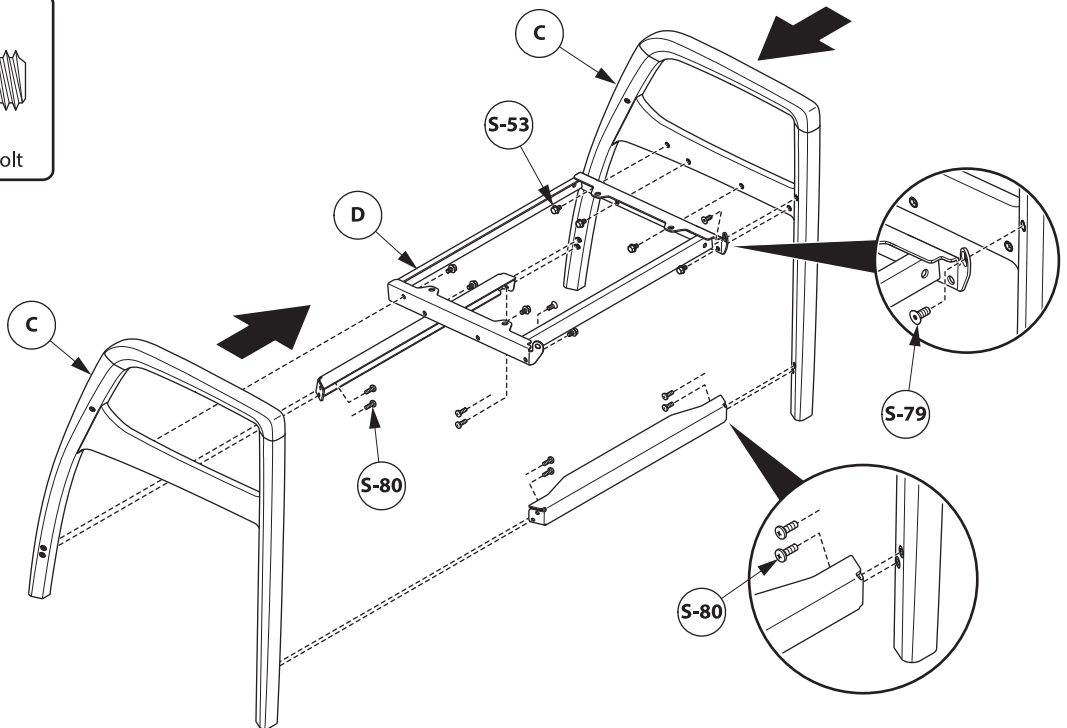
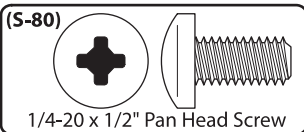
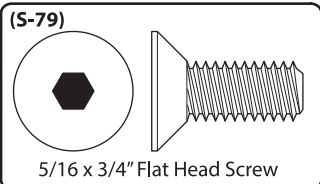
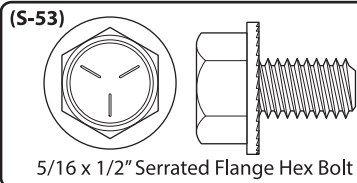
Leg Removal

3



Leg Installation

4



CUSTOMER SERVICE PHONE: 1-800-426-8562

HAWORTH

E.C.O. No: 525-001

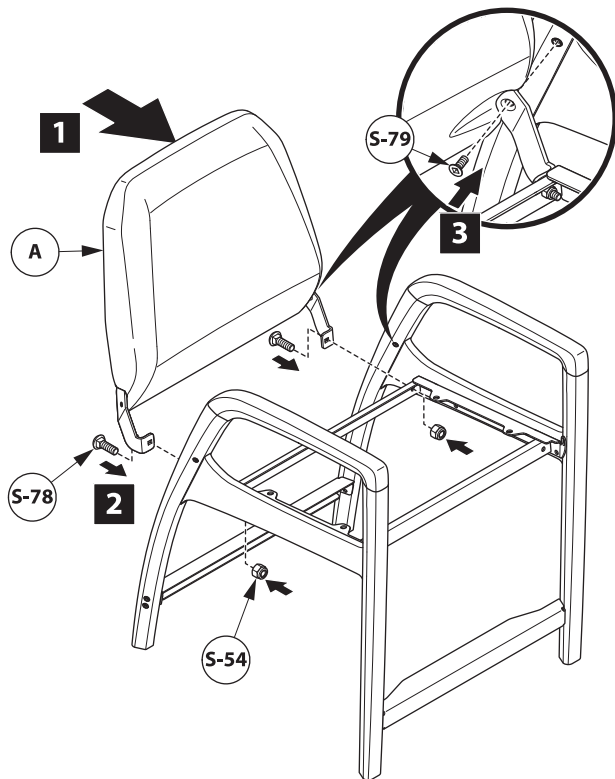
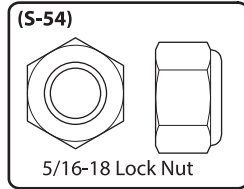
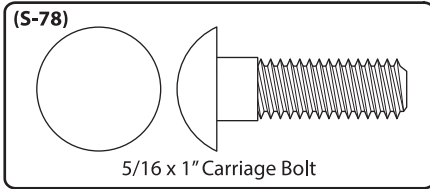
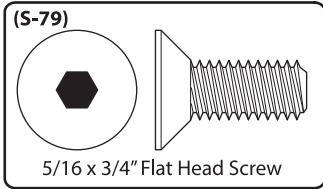
Page: 2 of 3

Part No: 6100-0042

Rev: 1

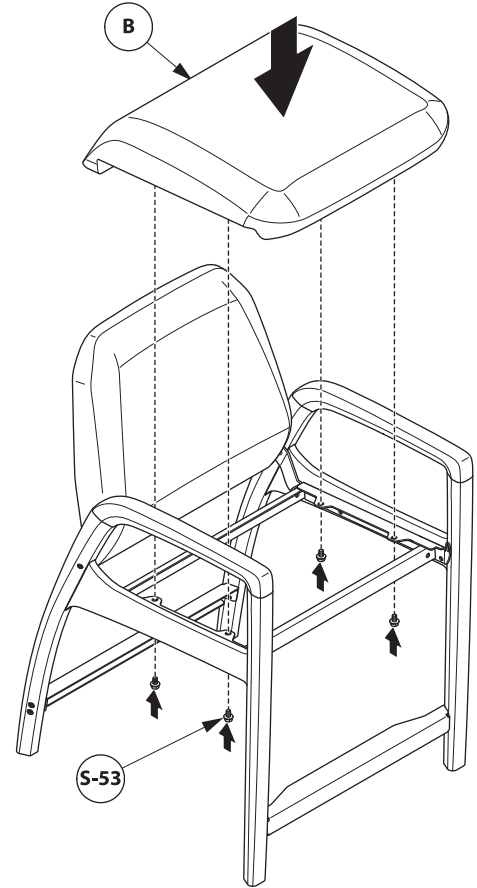
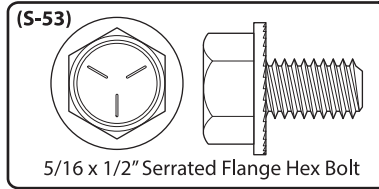
Back Installation

5



Seat Installation

6



CUSTOMER SERVICE PHONE: 1-800-426-8562

HAWORTH[®]

E.C.O. No: 525-001

Page: 3 of 3

Part No: 6100-0042

Rev: 1