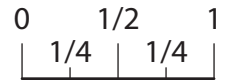


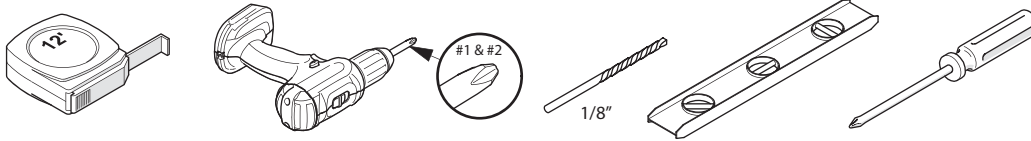
ACTIVE COMPONENTS®

Side Car
Installation Instructions



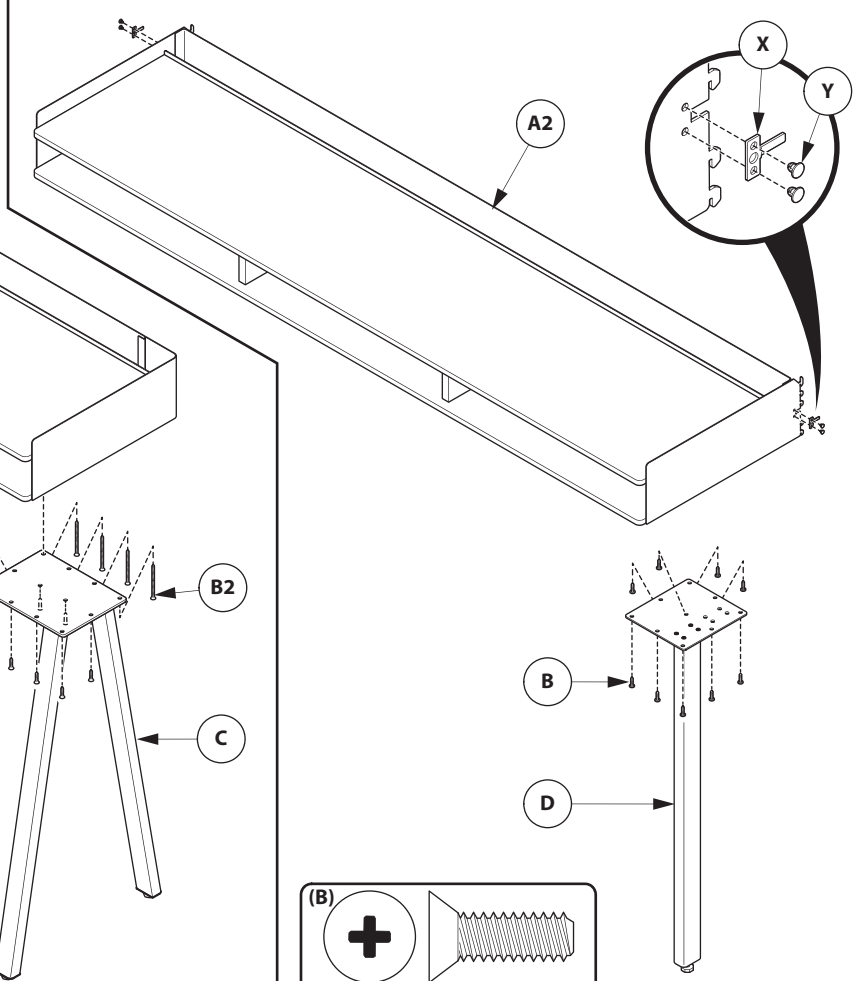
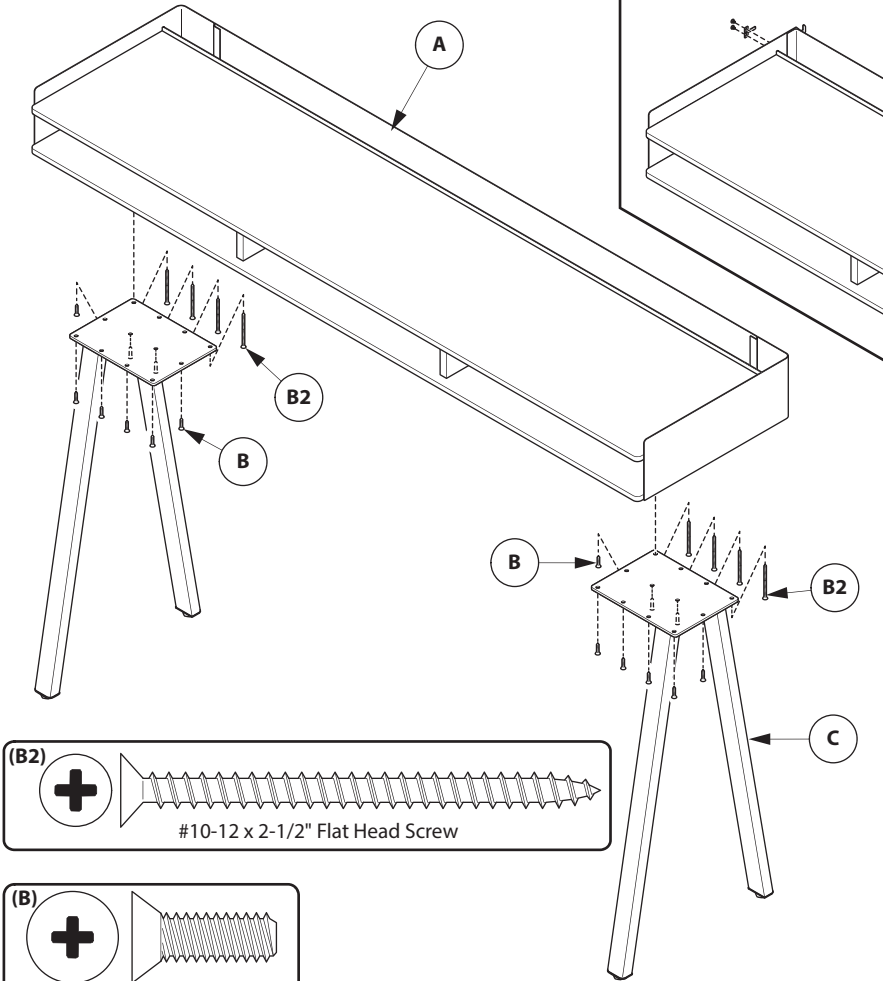
Scale 1 : 1

Tools Required

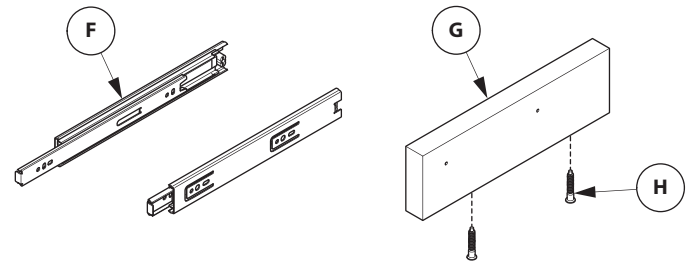
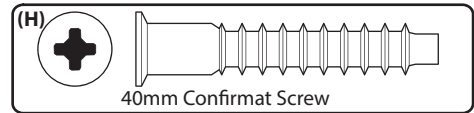
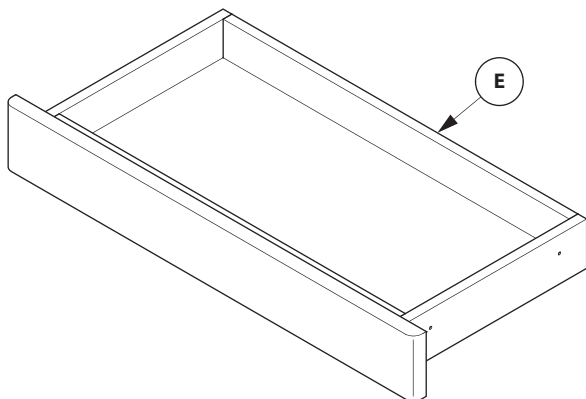


Standing Desk

Panel Mounted Desk



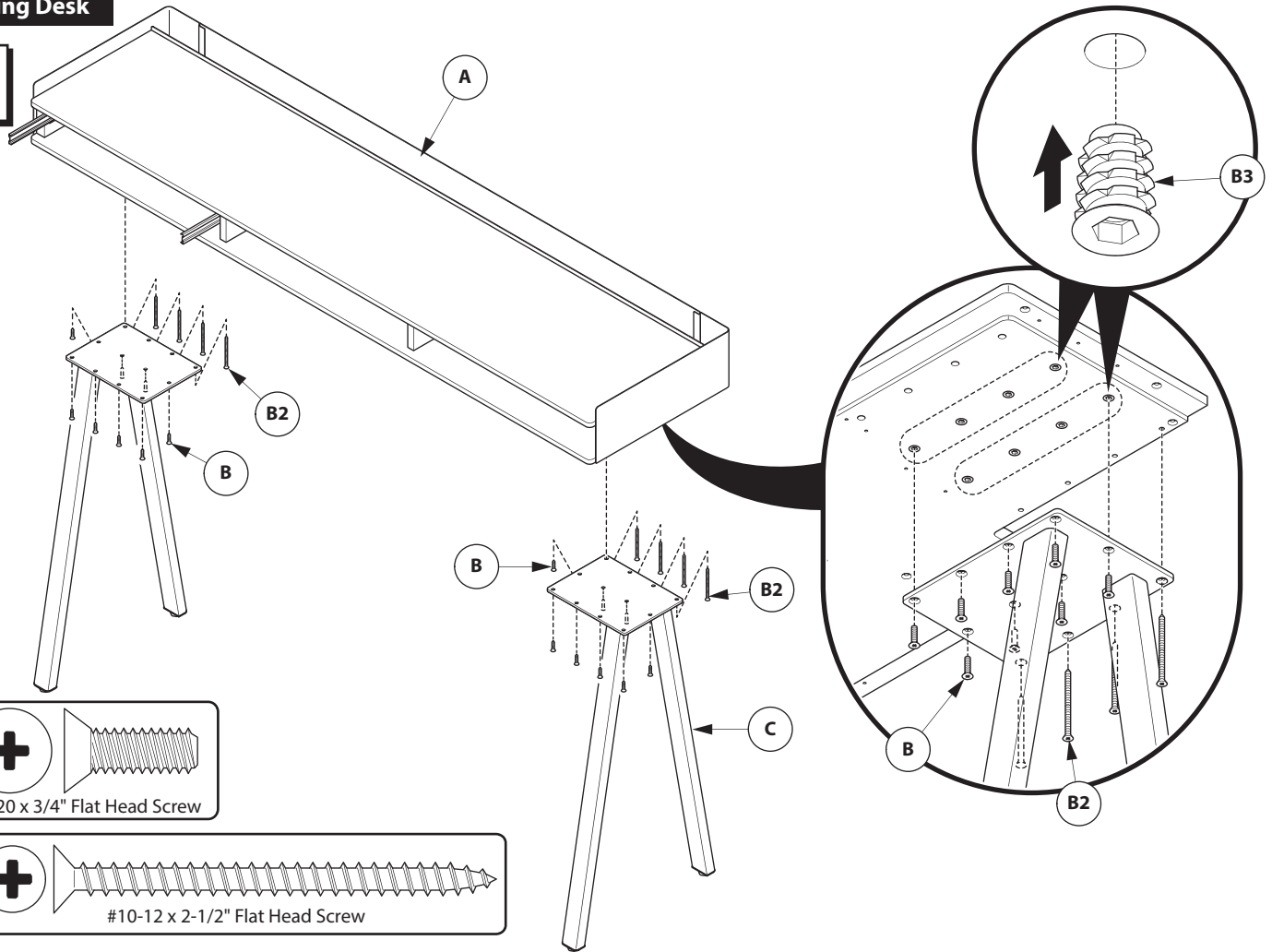
Drawer (Optional)



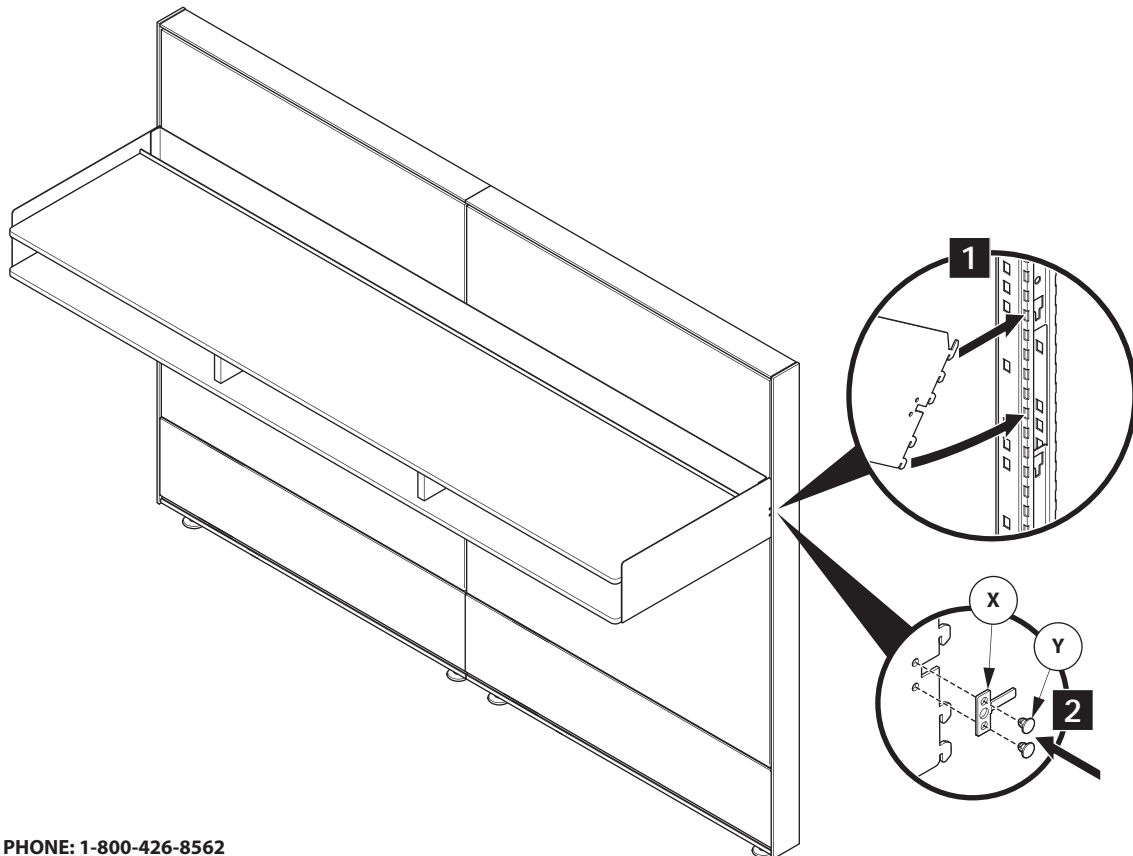
CUSTOMER SERVICE PHONE: 1-800-426-8562

Standing Desk

1

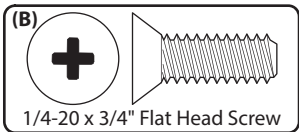
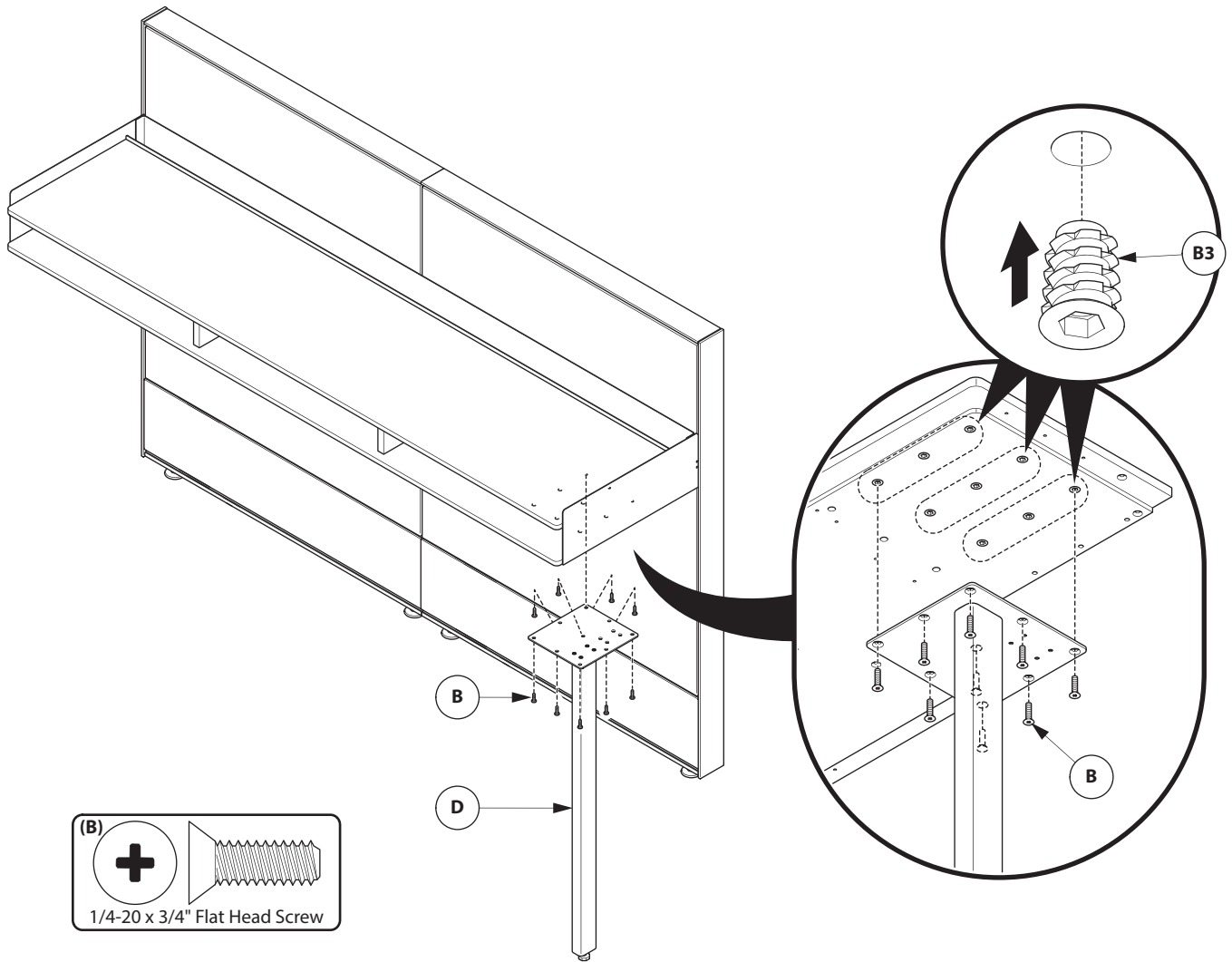


2



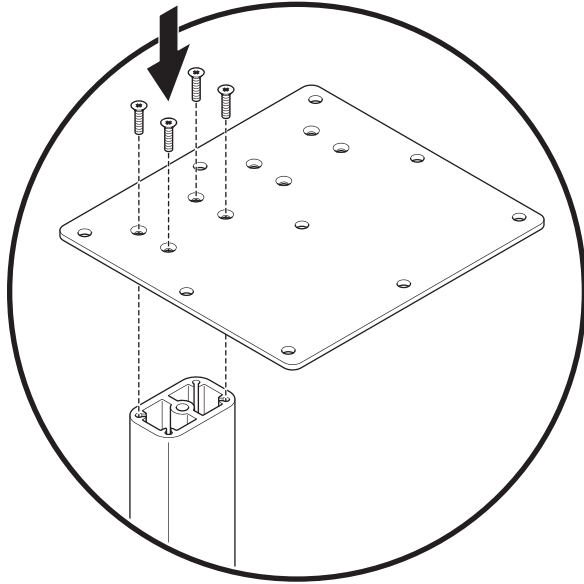
CUSTOMER SERVICE PHONE: 1-800-426-8562

3



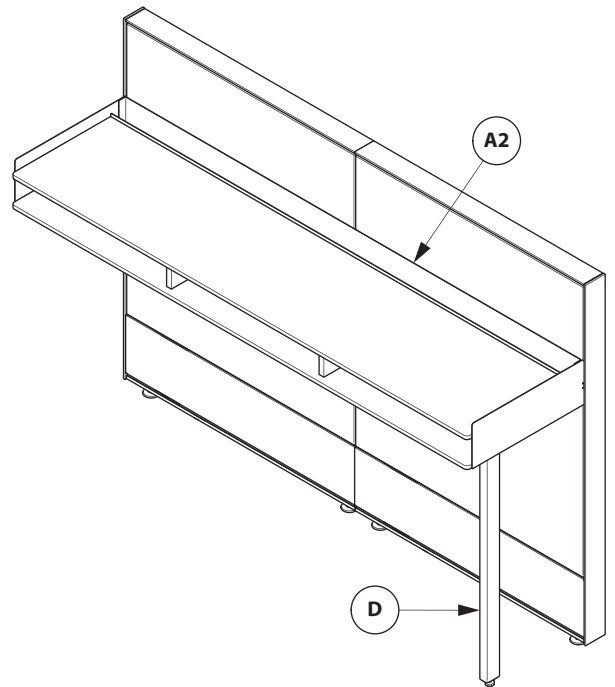
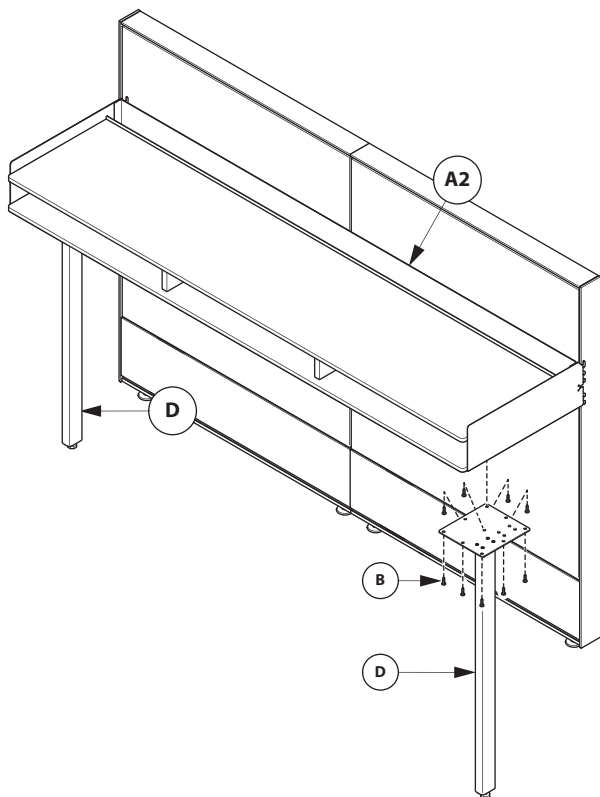
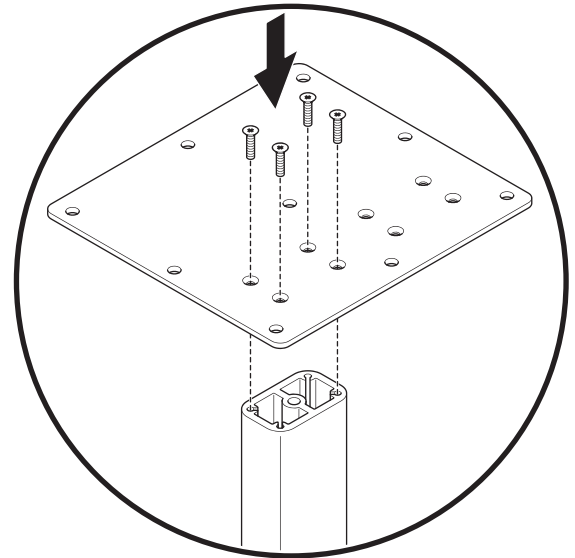
4

LEFT SIDE



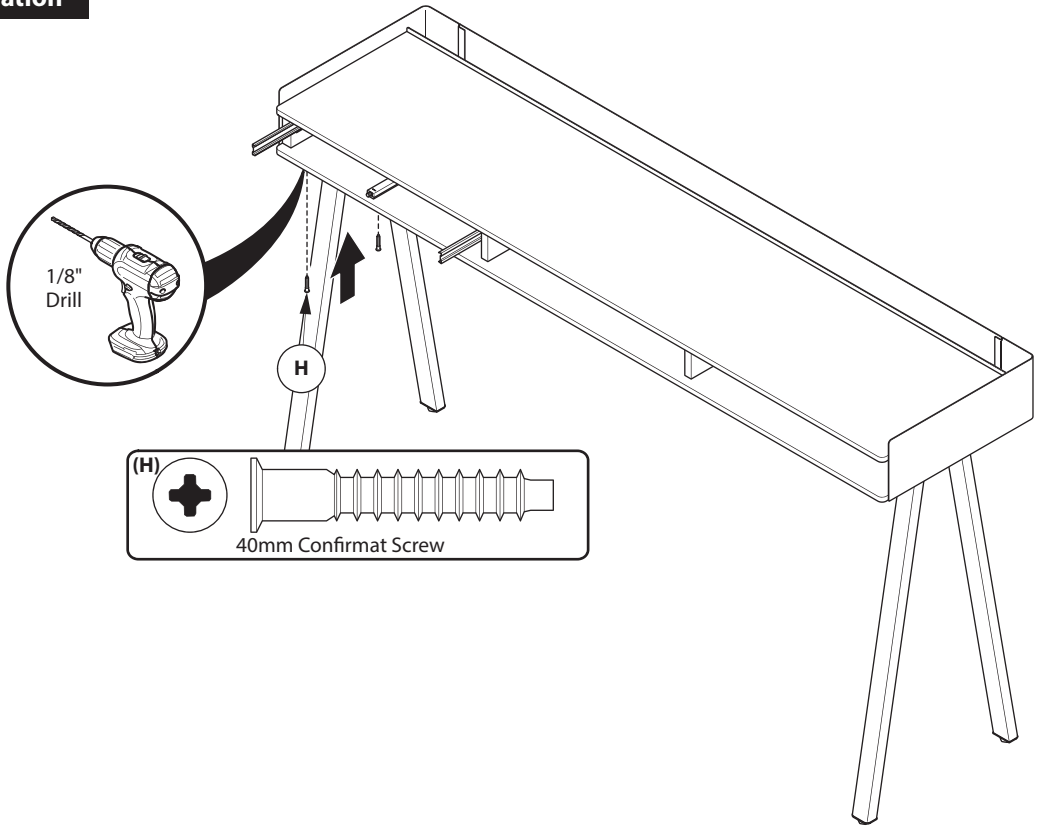
OR

RIGHT SIDE

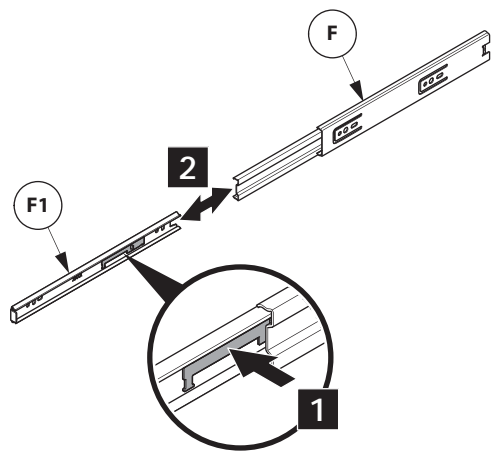


Drawer Installation

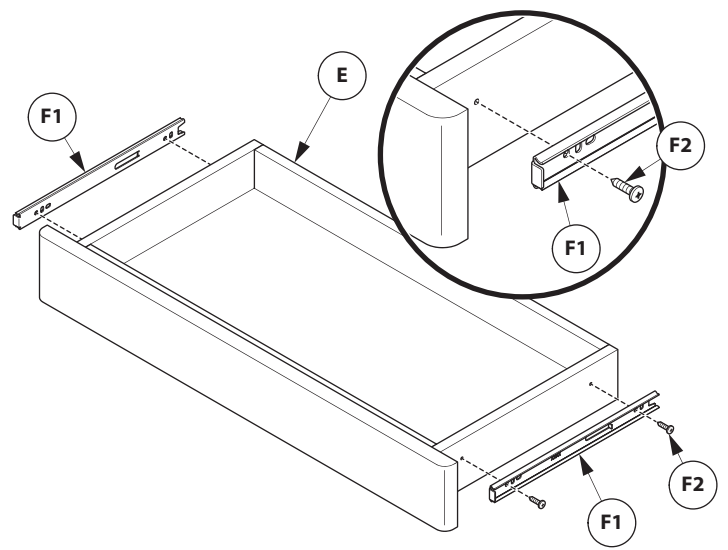
5



6



7



CUSTOMER SERVICE PHONE: 1-800-426-8562

HAWORTH

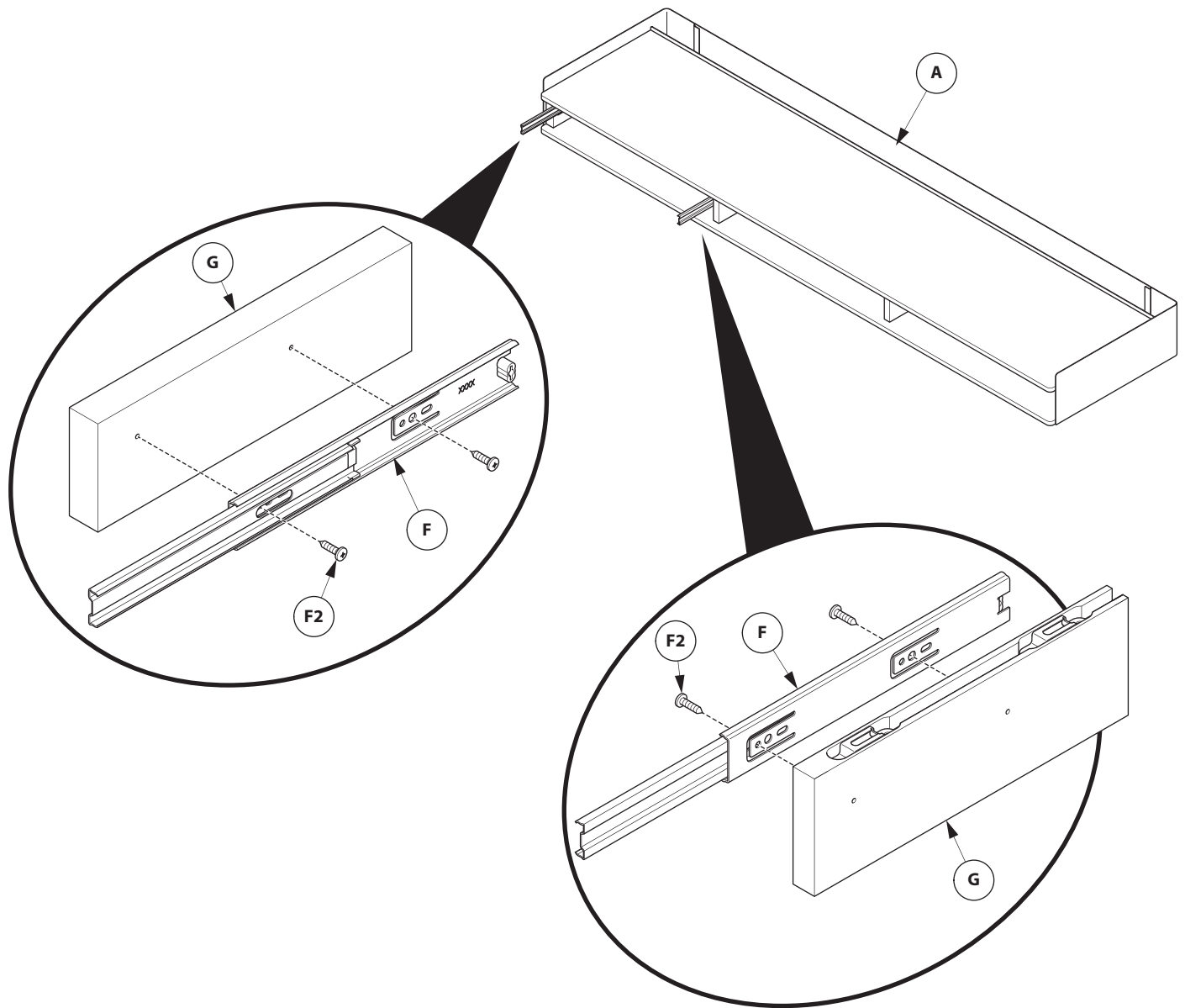
E.C.O. No: 420-150

Page: 5 of 9

Part No: 7029-9986

Rev: 2

8



CUSTOMER SERVICE PHONE: 1-800-426-8562

HAWORTH®

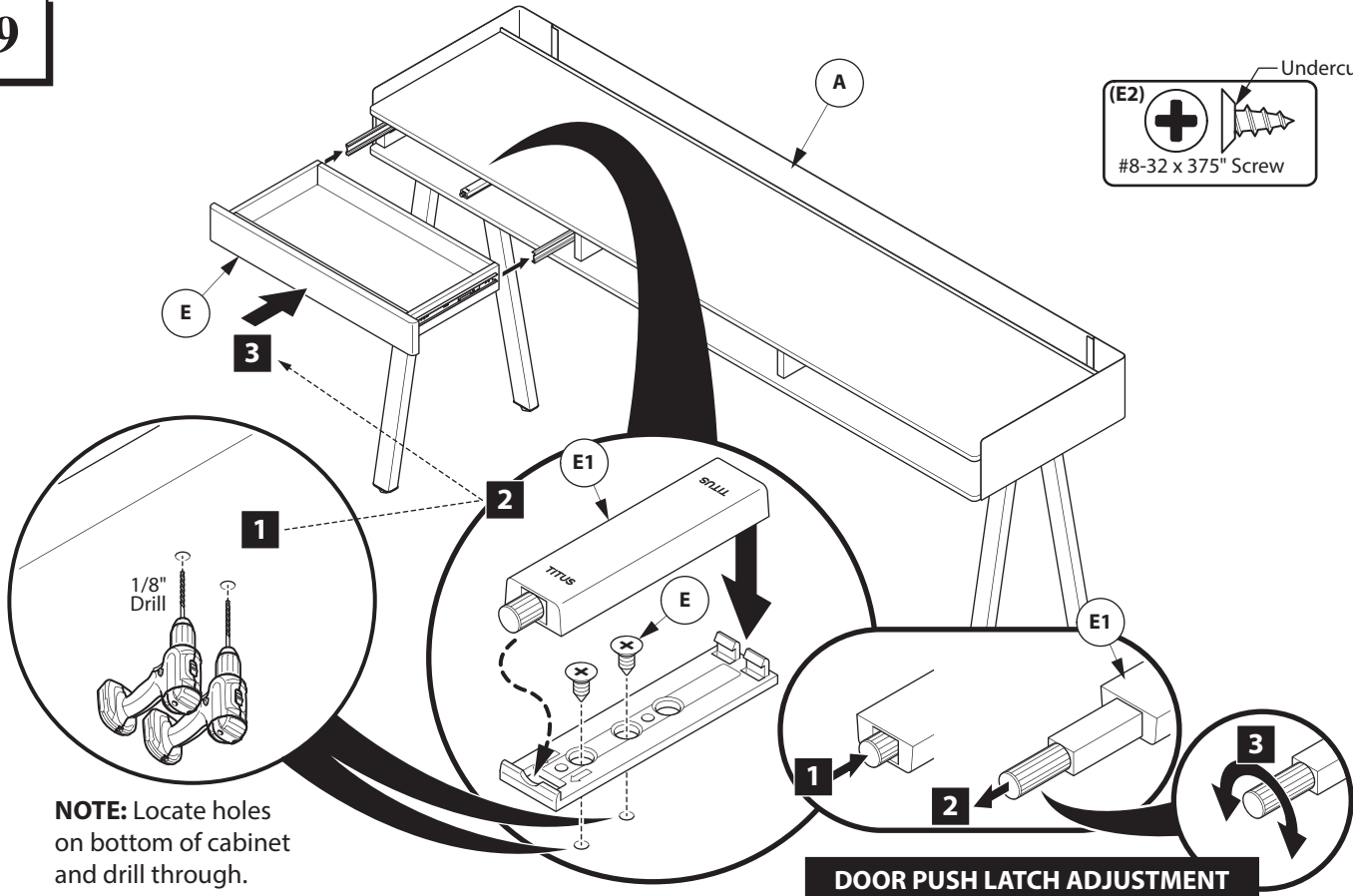
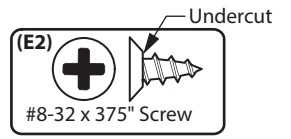
E.C.O. No: 420-150

Page: 6 of 9

Part No: 7029-9986

Rev: 2

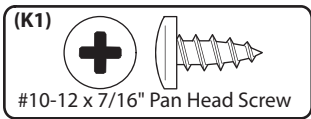
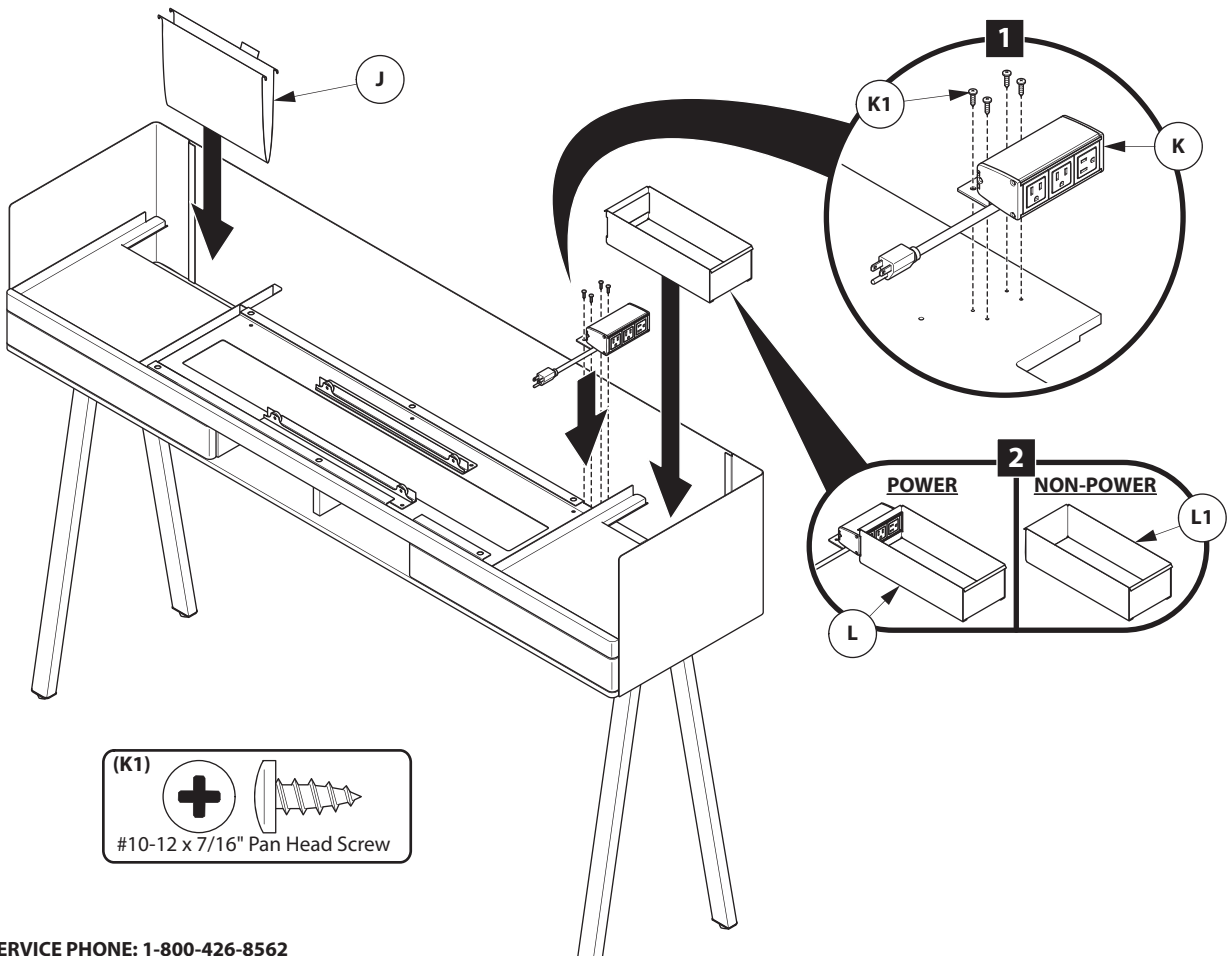
9



NOTE: Locate holes on bottom of cabinet and drill through.

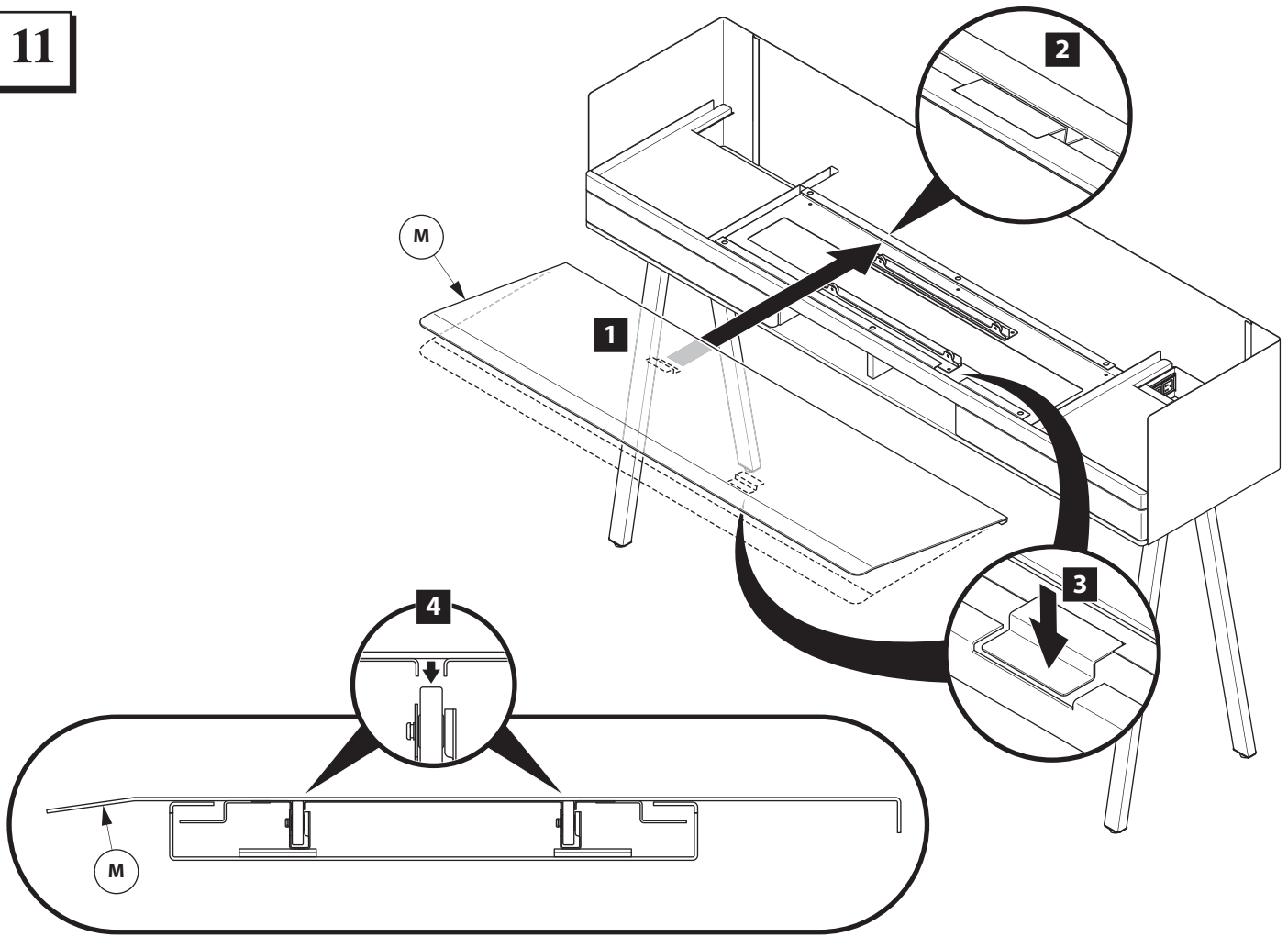
DOOR PUSH LATCH ADJUSTMENT

10

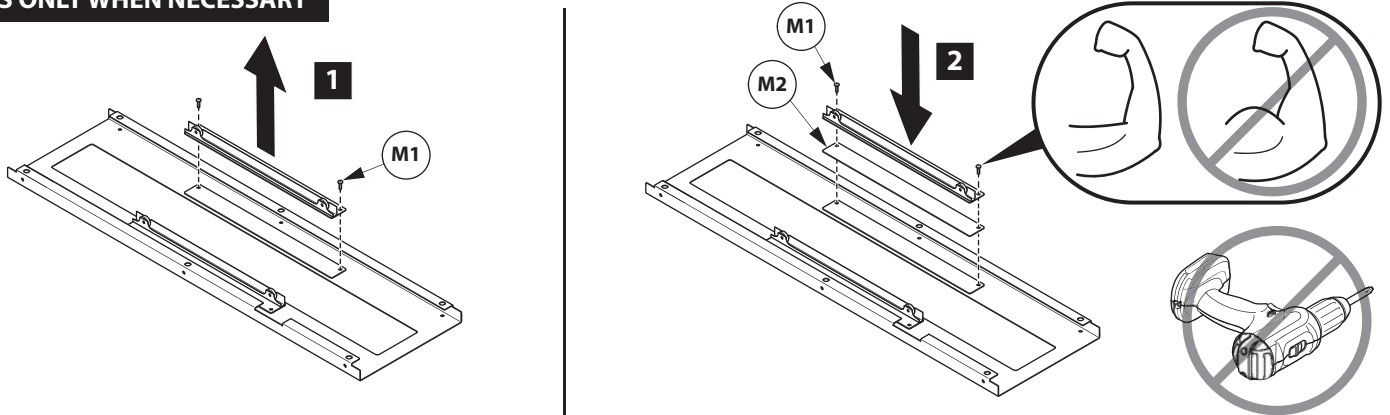


CUSTOMER SERVICE PHONE: 1-800-426-8562

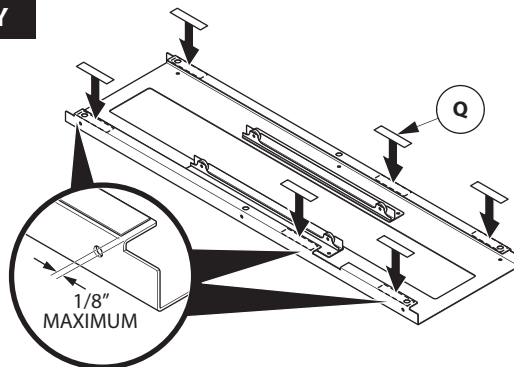
11



SHIMS ONLY WHEN NECESSARY

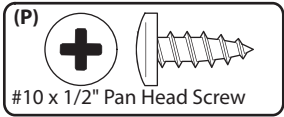
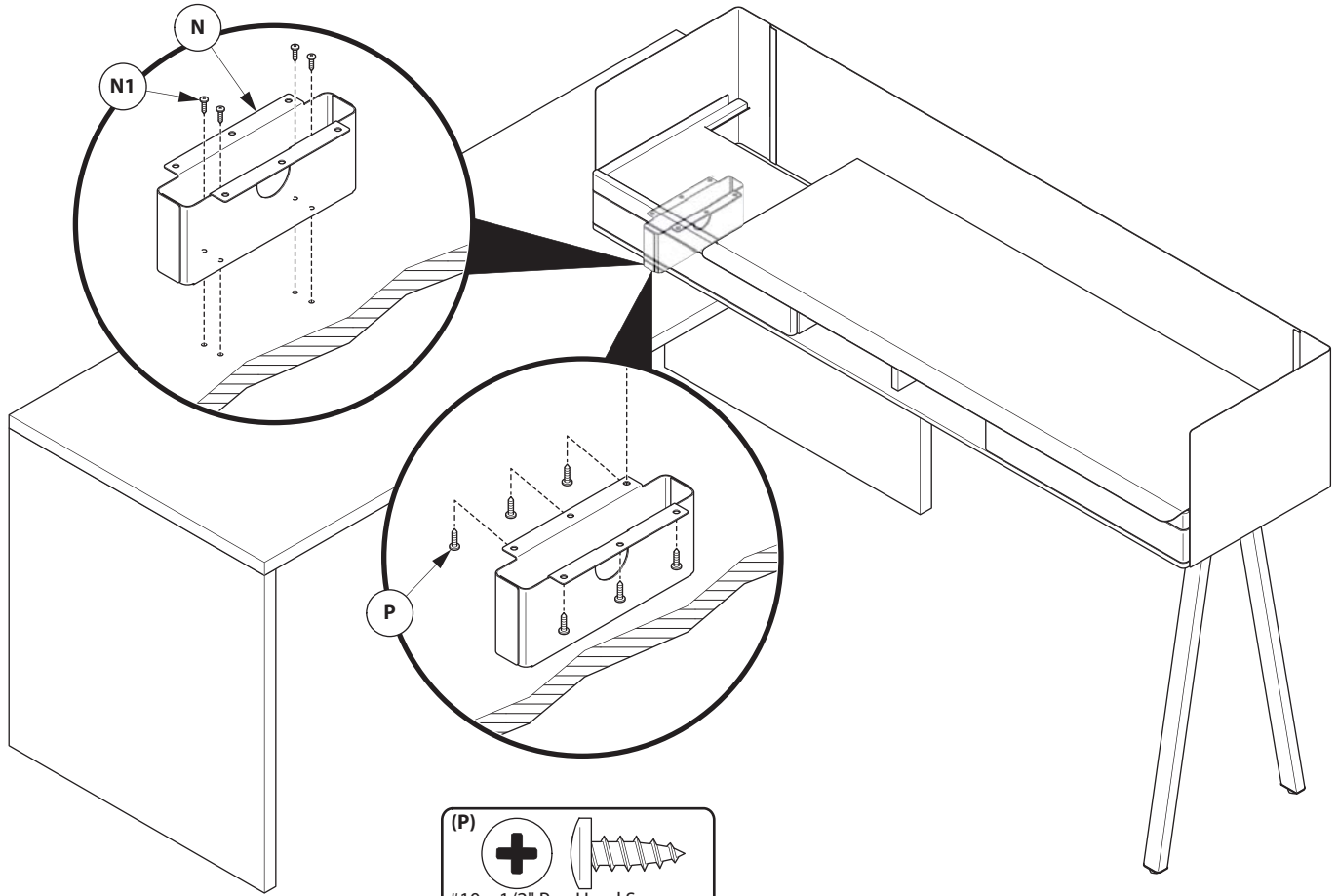
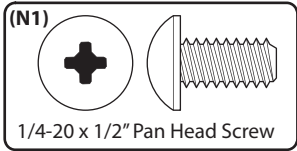


FRICTION TAPE ONLY WHEN NECESSARY



CUSTOMER SERVICE PHONE: 1-800-426-8562

12



CUSTOMER SERVICE PHONE: 1-800-426-8562

HAWORTH[®]

E.C.O. No: 420-150

Page: 9 of 9

Part No: 7029-9986

Rev: 2