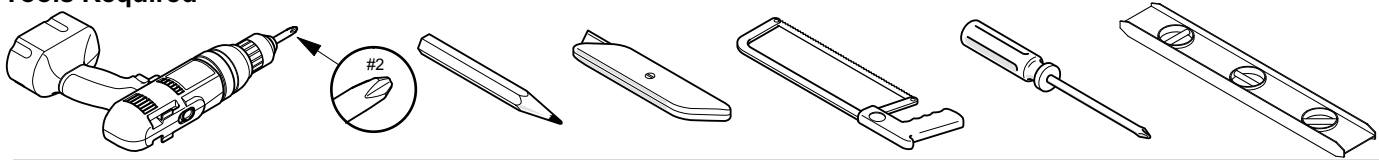


**BELONG®**  
**Top Feed Module**  
Installation Instructions

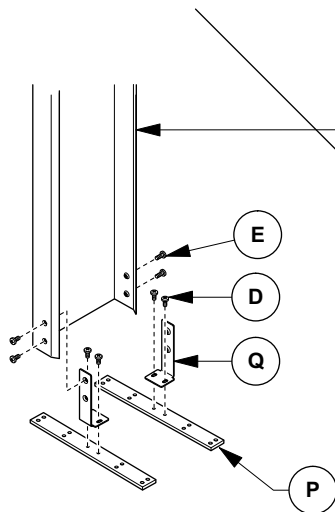
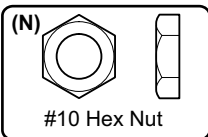
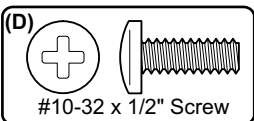
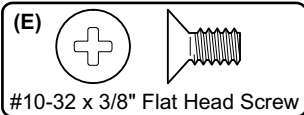
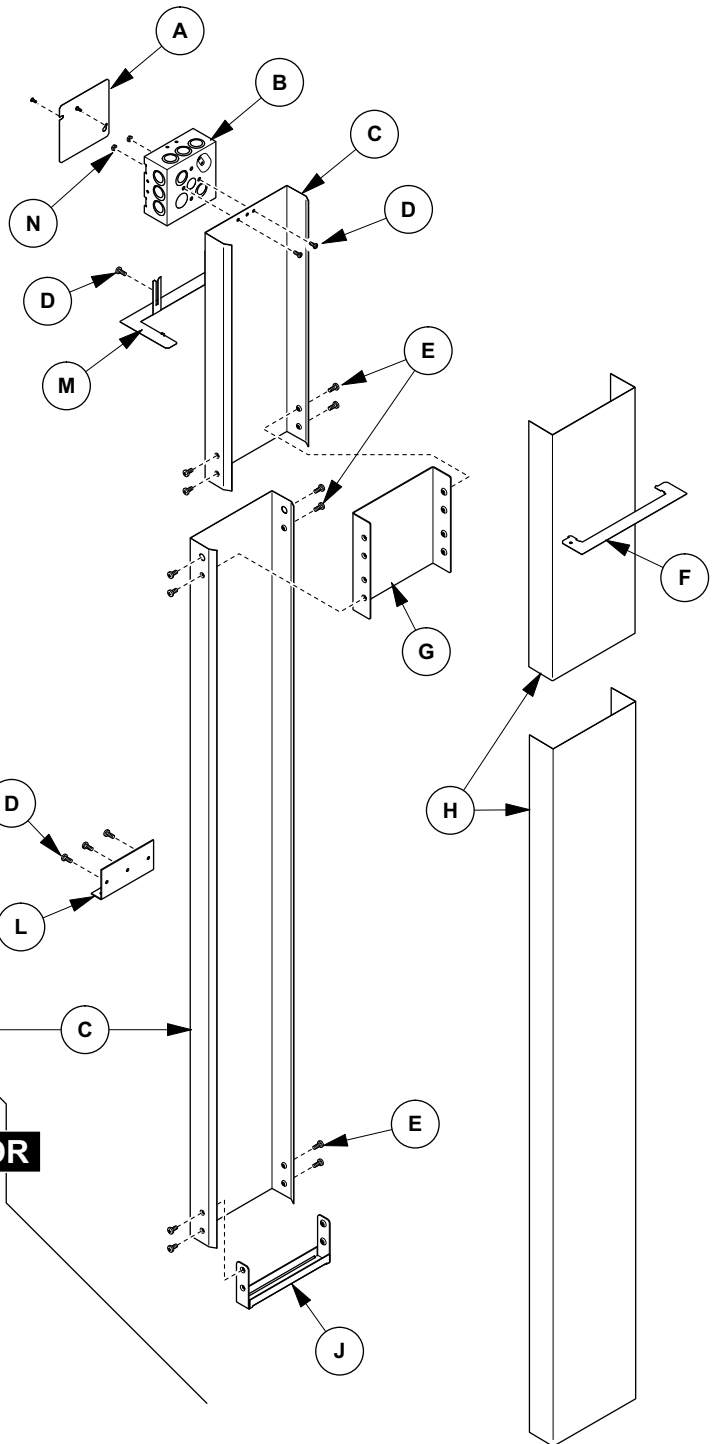
**Tools Required**



**WARNING:** Do not electrically interconnect modular power distribution systems powered from two different power feed units. This poses a **SHOCK HAZARD** to service personnel and will cause **RISK OF FIRE** due to excessive circulating currents.

**WARNING:** Power to all branch circuits **MUST REMAIN DISCONNECTED** during installation or removal of electrical components and raceway covers to avoid **SHOCK HAZARDS**.

**NOTE:** Connections of this modular power distribution component **MUST** be done by a licensed electrician, who must control the size and loading of each branch circuit. The person or group installing Haworth products is responsible for complying with all applicable building and electrical code requirements.

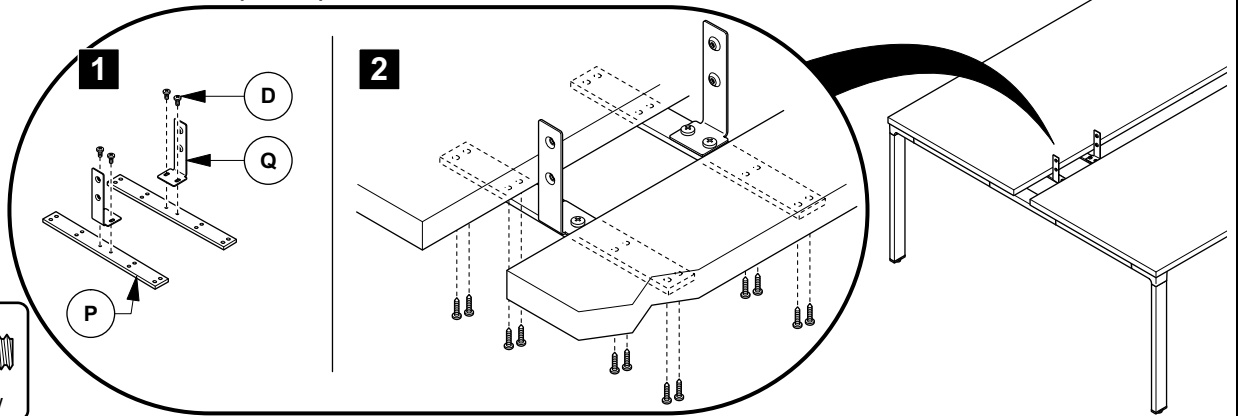
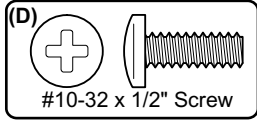


CUSTOMER SERVICE PHONE: 1-800-426-8562

## TABLE MOUNT BRACKET OPTION

1

Locate and install brackets (P or J)



## FLOOR MOUNT BRACKET OPTIONS

1

Locate and install brackets (P or J)

TABLE MOUNT BRACKET

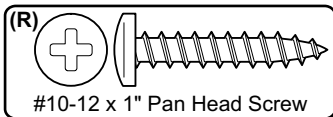
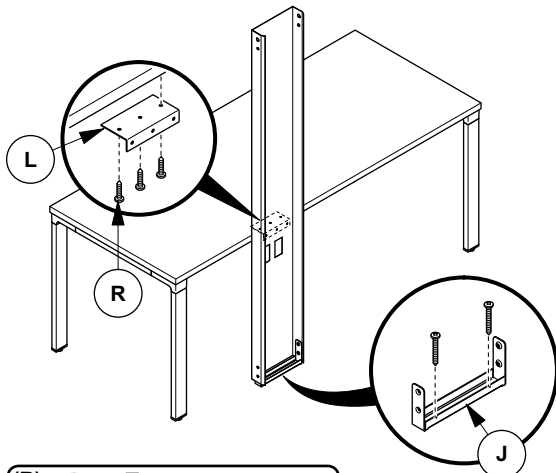
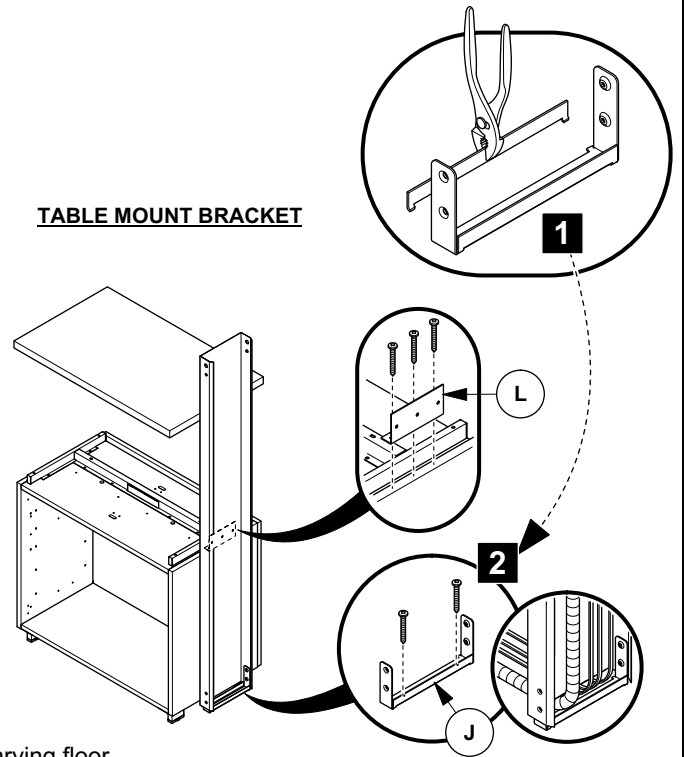
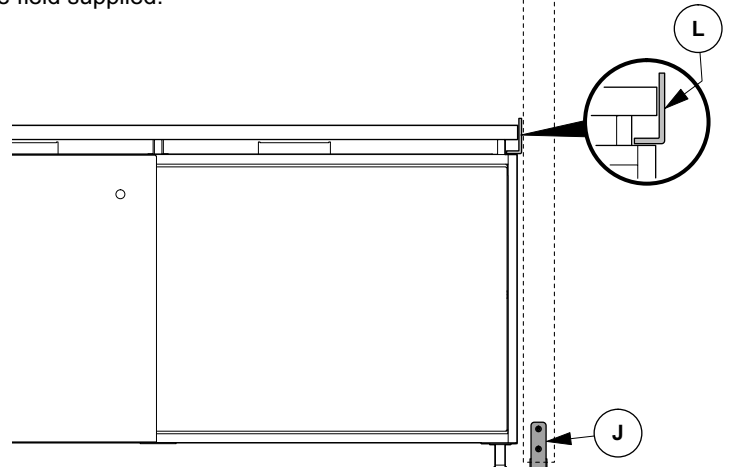
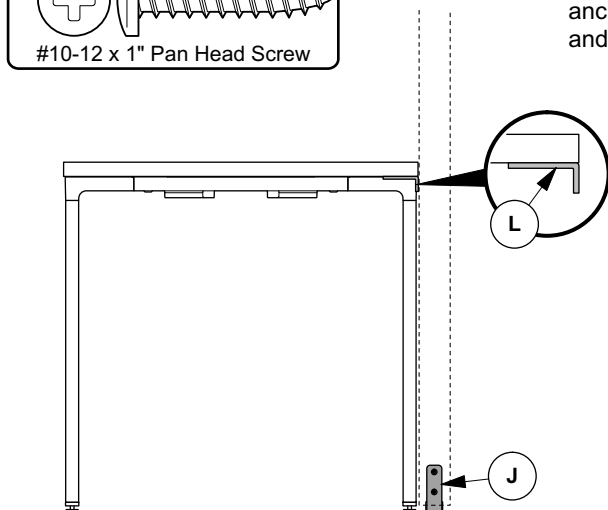


TABLE MOUNT BRACKET

OR



**NOTE:** Due to varying floor construction fastener anchors are not included and must be field supplied.



CUSTOMER SERVICE PHONE: 1-800-426-8562

**HAWORTH**

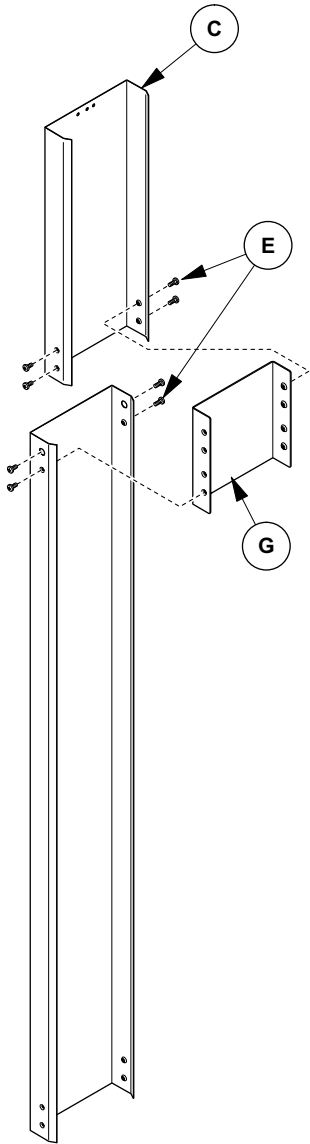
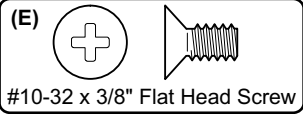
E.C.O. No: 298-597

Page: 2 OF 5

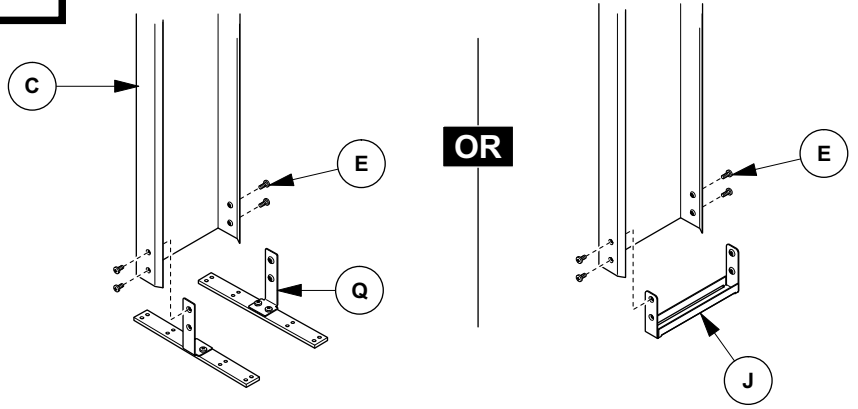
Part No: 7029-9724

Rev: C

2

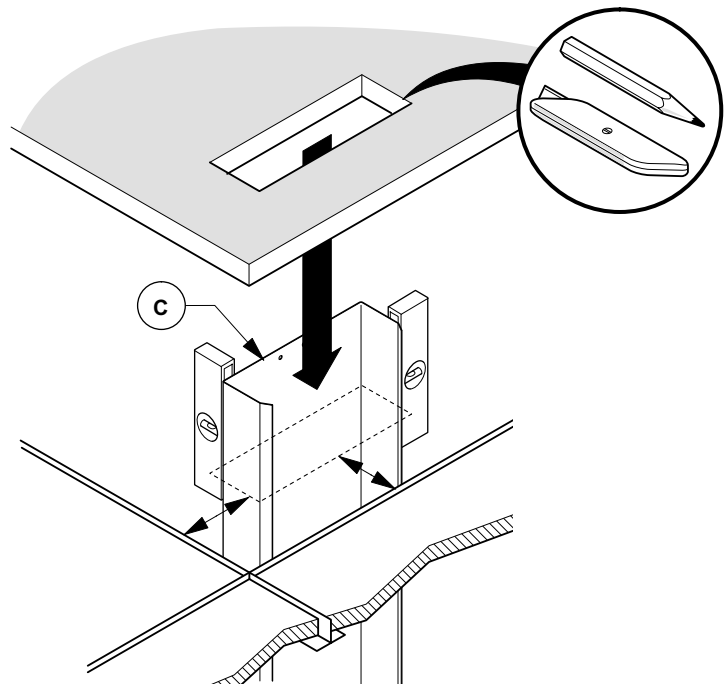


3

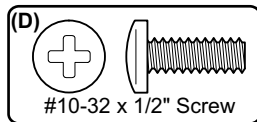
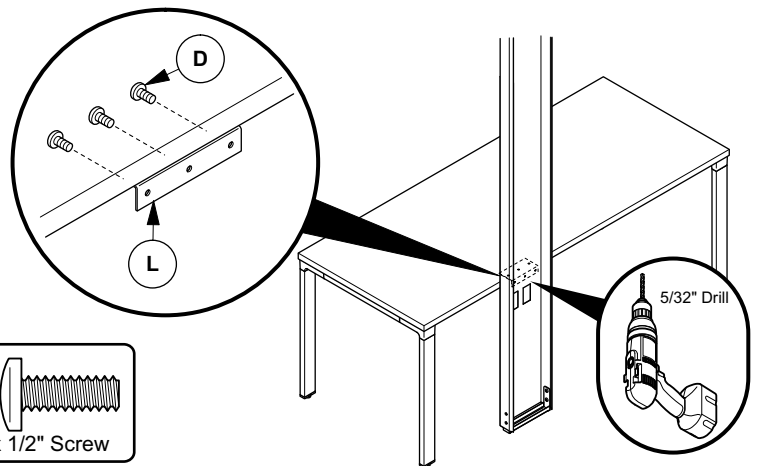


4

Plumb cover (C) and locate and cut a hole in ceiling tile



5



CUSTOMER SERVICE PHONE: 1-800-426-8562

HAWORTH®

E.C.O. No: 298-597

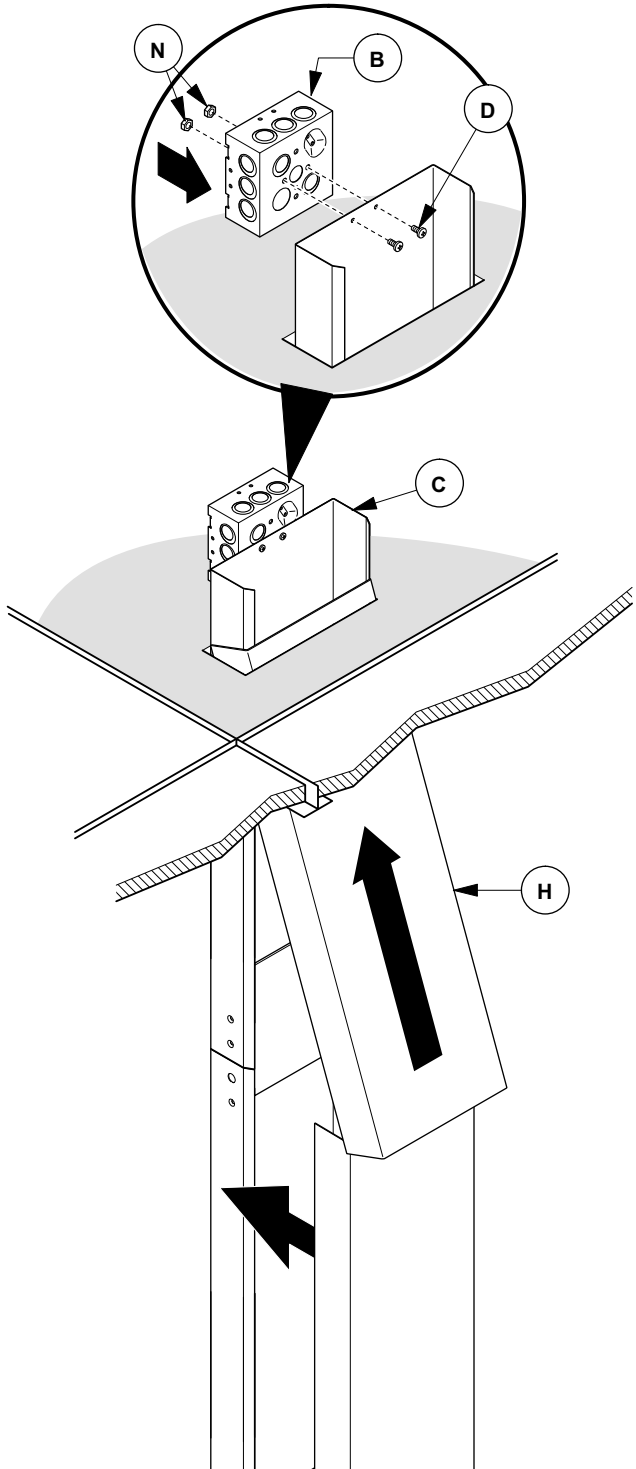
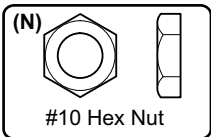
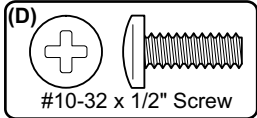
Page: 3 of 5

Part No: 7029-9724

Rev: C

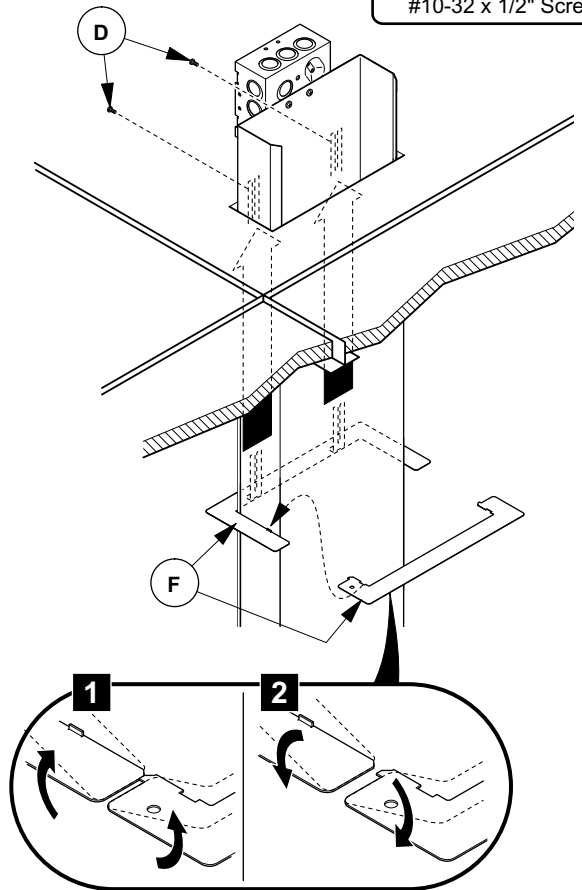
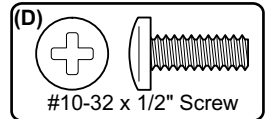
6

Install outer cover (H)



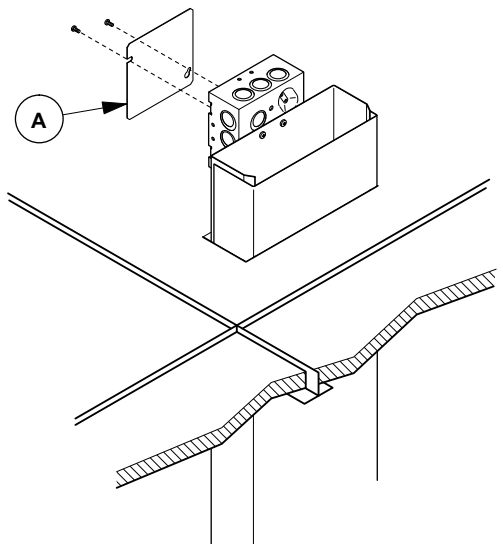
7

Install ceiling bezel (F)



8

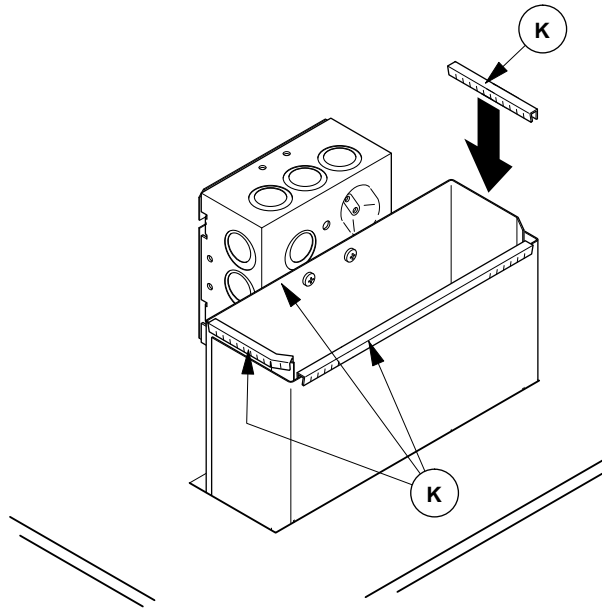
Install electrical box cover (A)



CUSTOMER SERVICE PHONE: 1-800-426-8562

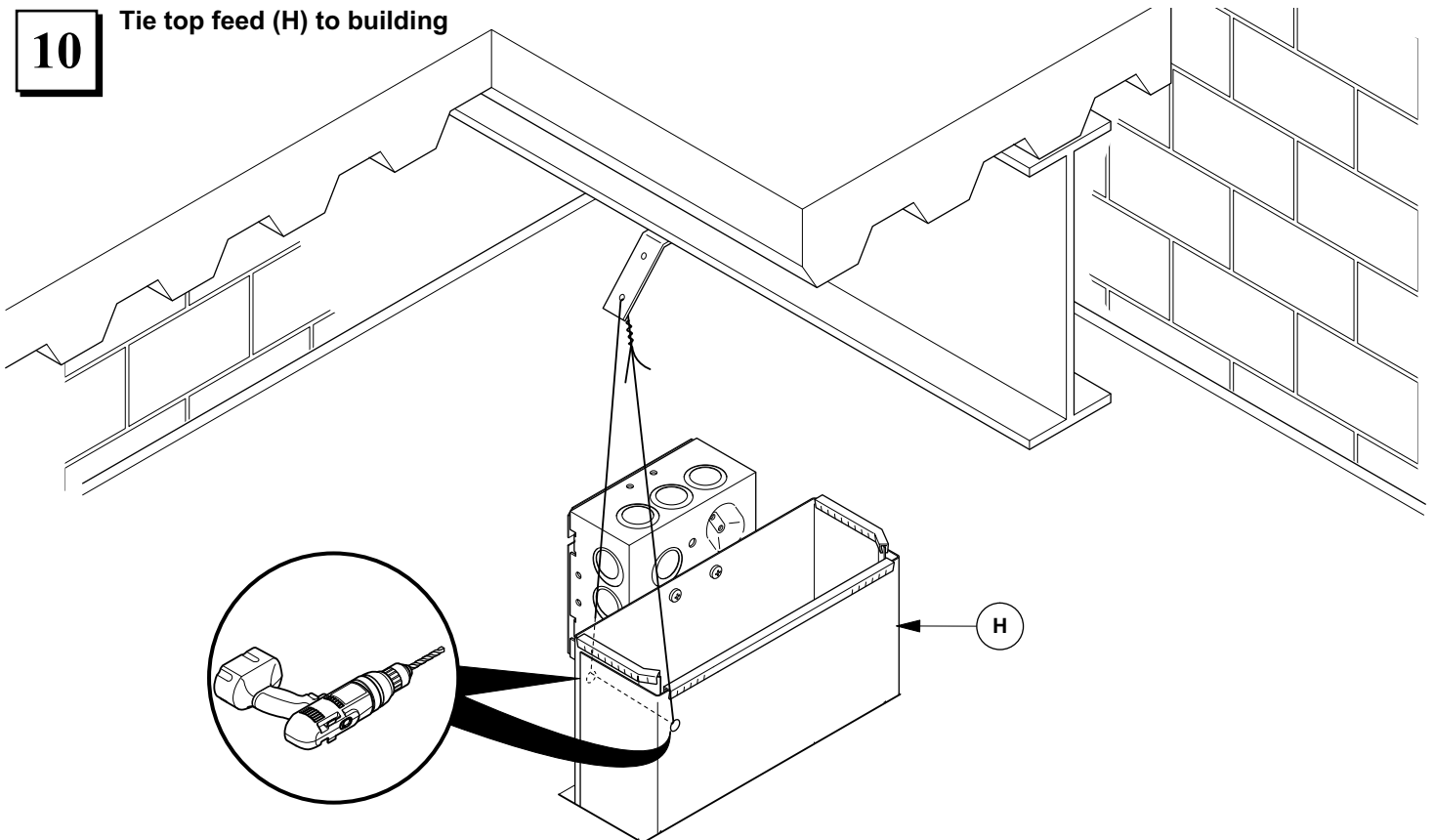
9

Cut & install grommet (K)



10

Tie top feed (H) to building



CUSTOMER SERVICE PHONE: 1-800-426-8562

**HAWORTH**<sup>®</sup>

E.C.O. No: 298-597

Page: 5 OF 5

Part No: 7029-9724

Rev: C