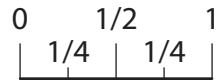


BELOG®

Power Cube Mounting Bracket Options

Installation Instructions

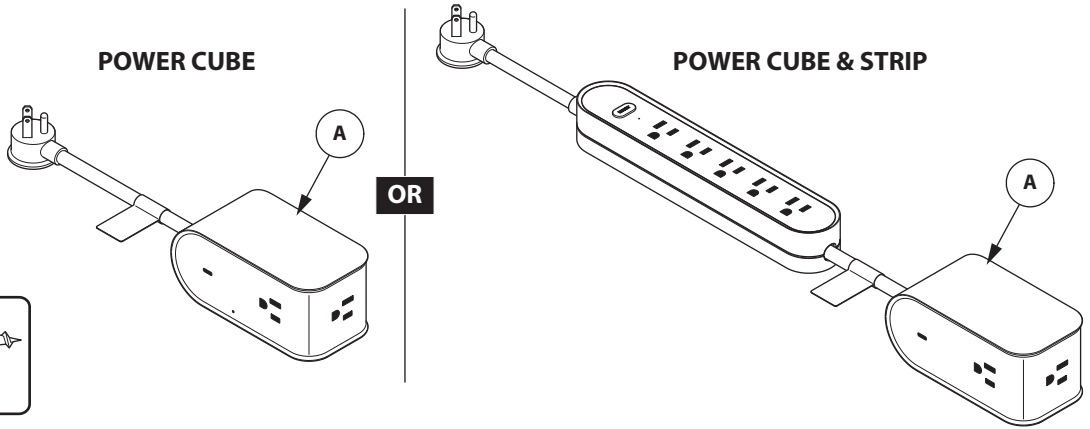
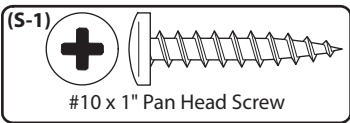
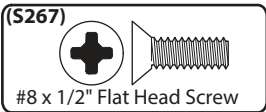


Scale 1 : 1

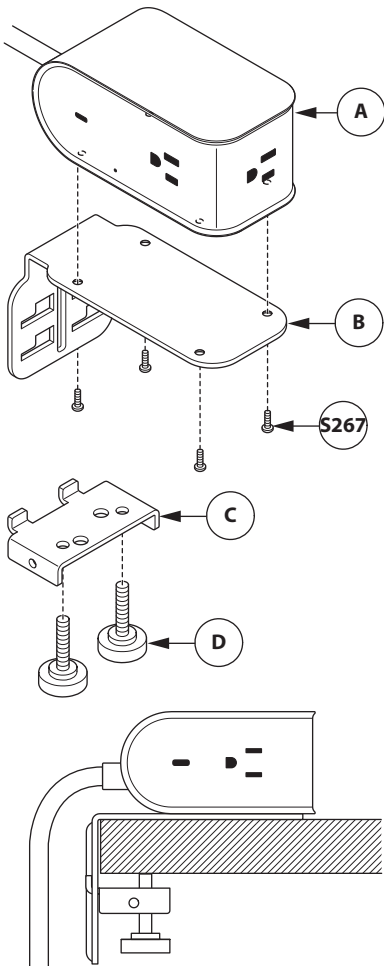
Tools Required



PARTS

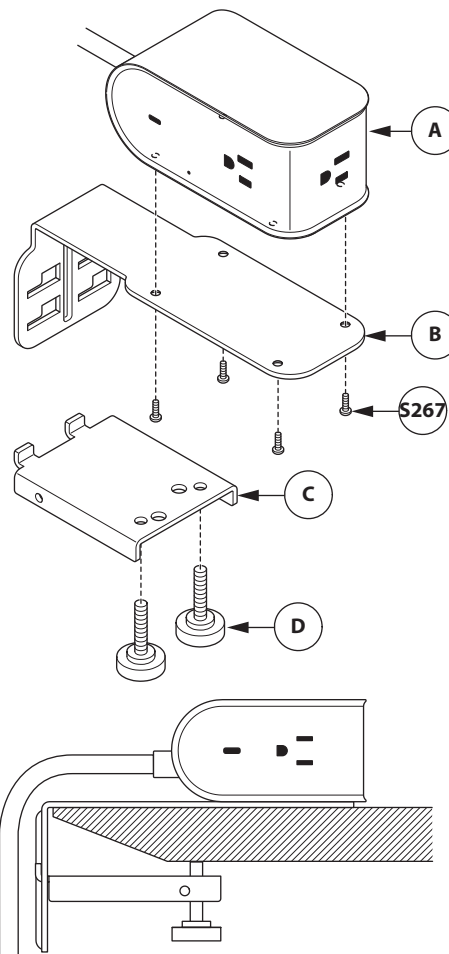


STANDARD EDGE



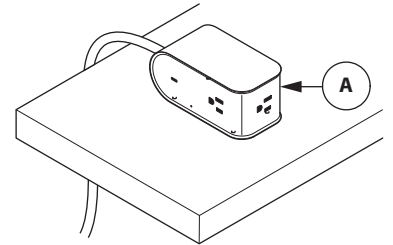
OR

KNIFE EDGE



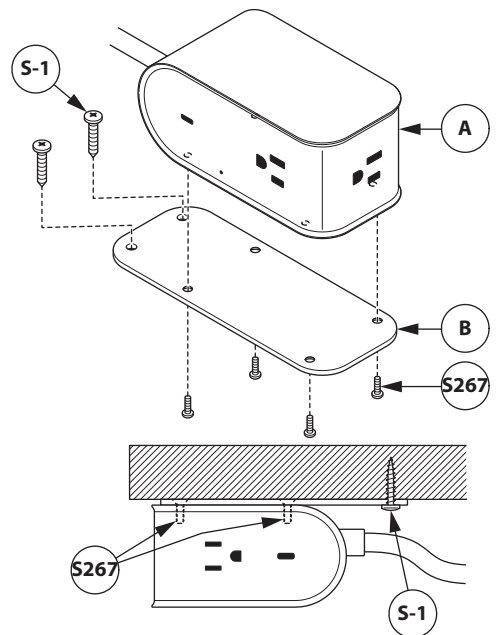
OR

FREESTANDING



OR

UNDER MOUNT



CUSTOMER SERVICE PHONE: 1-800-426-8562

HAWORTH

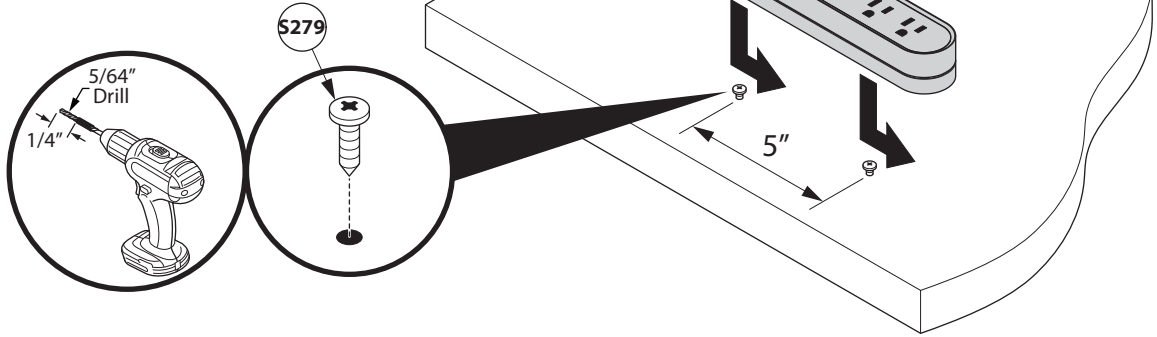
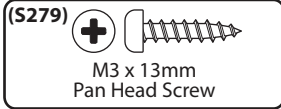
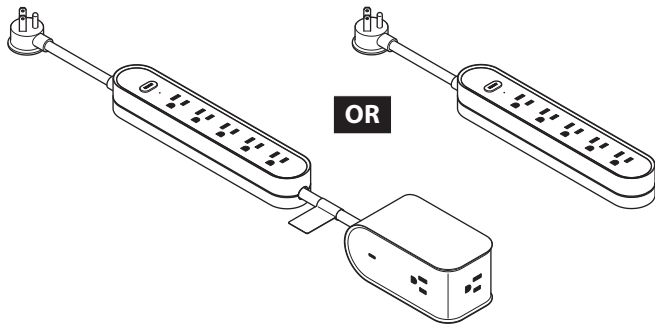
E.C.O. No: 298-797

Page: 1 of 3

Part No: 6100-0140

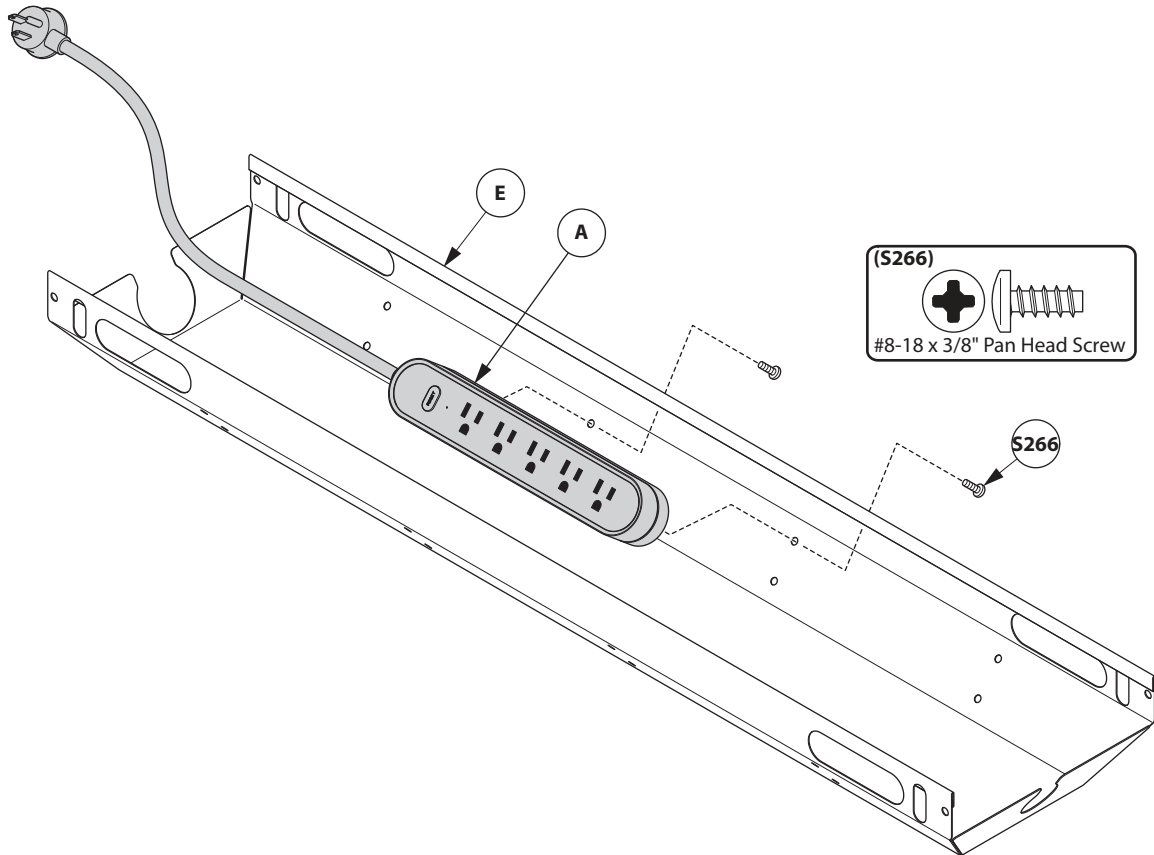
Rev: 3

POWER STRIP WORKSURFACE INSTALLATION



OR

POWER STRIP TROUGH INSTALLATION



CUSTOMER SERVICE PHONE: 1-800-426-8562

HAWORTH

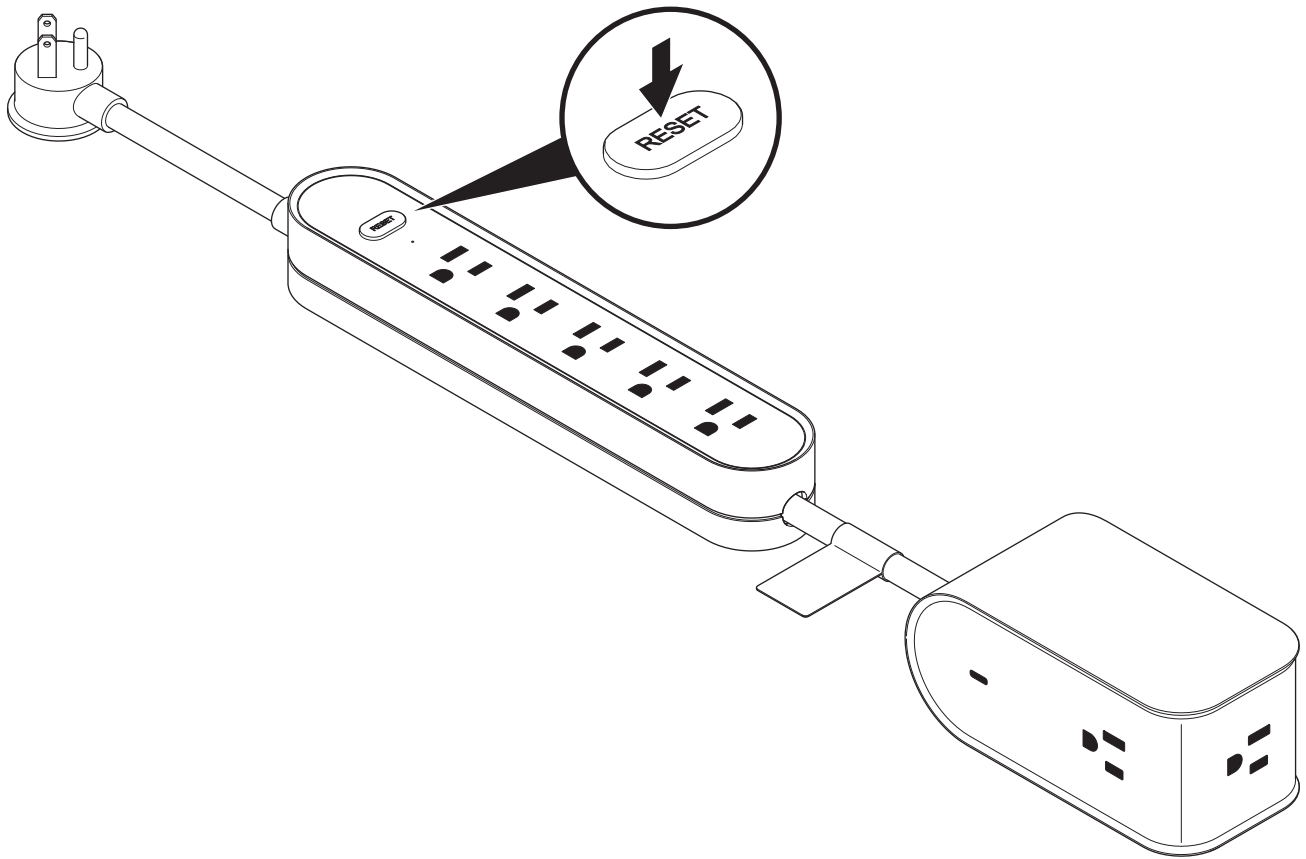
E.C.O. No: 298-797

Page: 2 of 3

Part No: 6100-0140

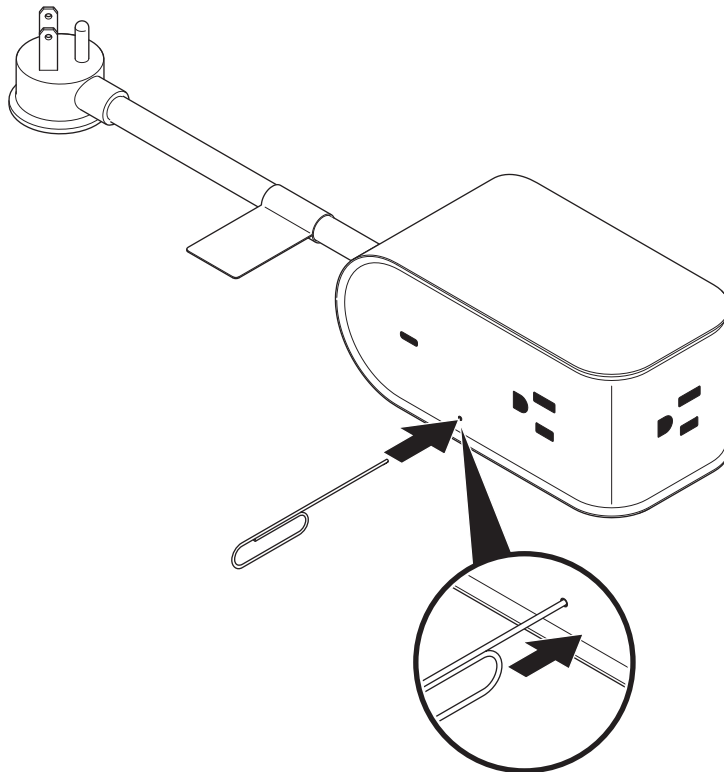
Rev: 3

RESET BUTTON FOR POWER STRIP



OR

RESET BUTTON FOR POWER CUBE



CUSTOMER SERVICE PHONE: 1-800-426-8562

HAWORTH

E.C.O. No: 298-797

Page: 3 of 3

Part No: 6100-0140

Rev: 3