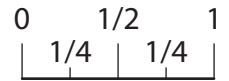
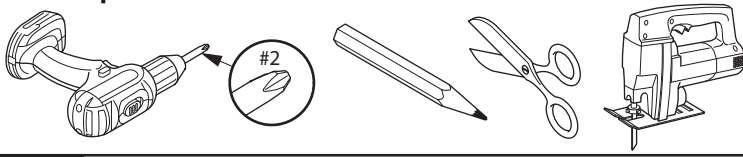


**BELOG®**  
**Electrical Components Hatch**  
Installation Instructions

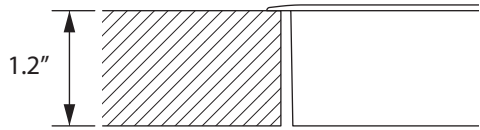


**Tools Required**

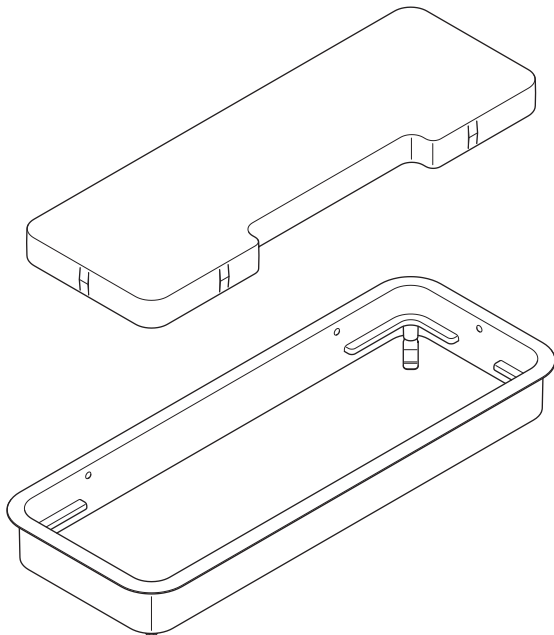
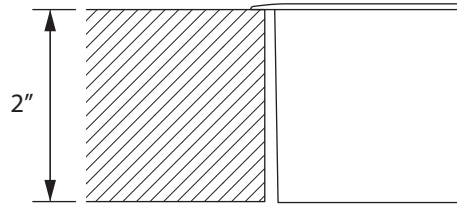


**Scale 1 : 1**

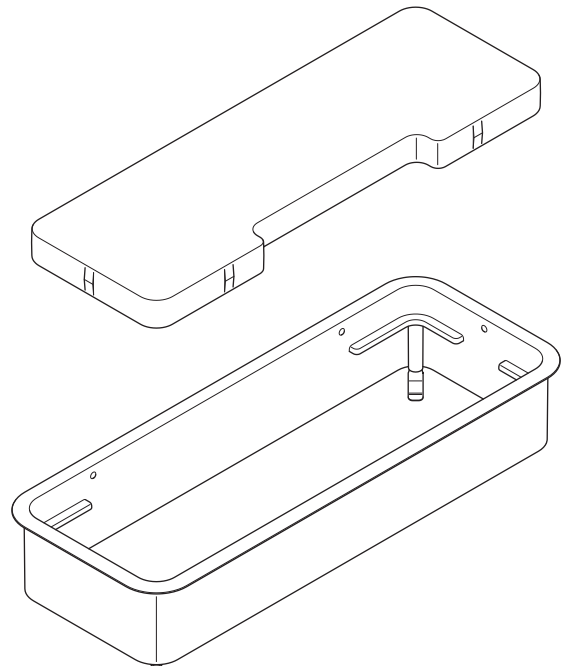
**PARTS**



**OR**



**OR**



CUSTOMER SERVICE PHONE: 1-800-426-8562

**HAWORTH**

E.C.O. No: 298-797

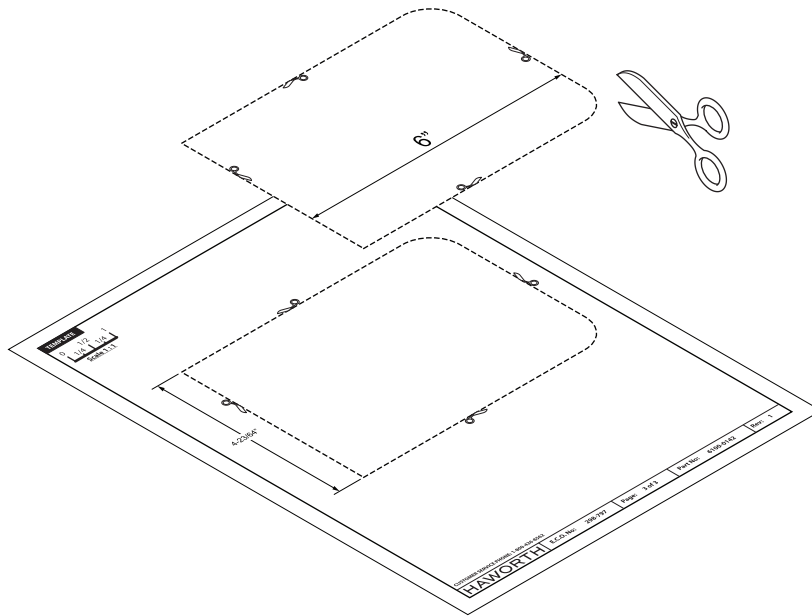
Page: 1 of 5

Part No: 6100-0142

Rev: 1

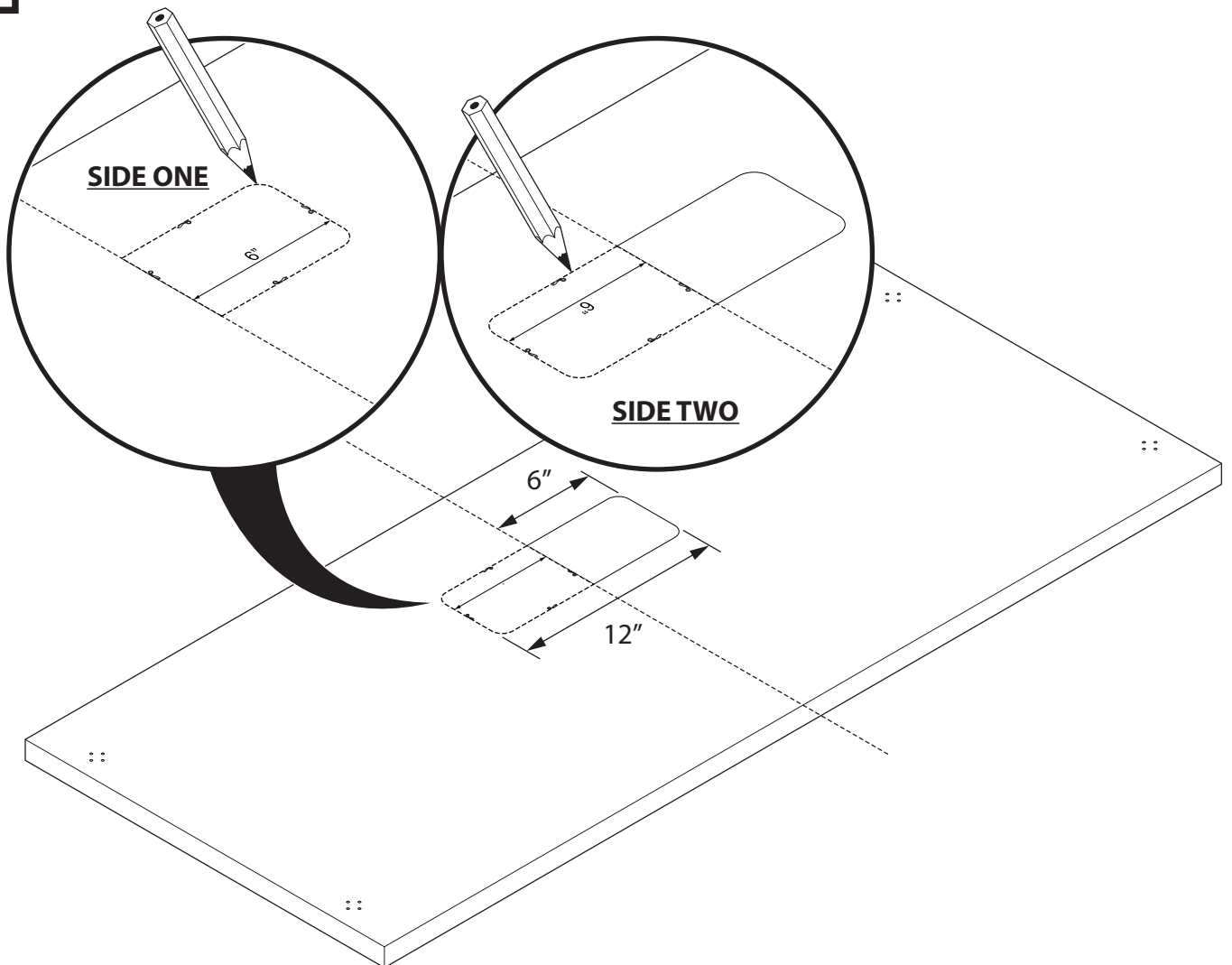
1

Cut template (C) as shown



2

Locate template (C) centering and tracing for each side as shown



CUSTOMER SERVICE PHONE: 1-800-426-8562

**HAWORTH**

E.C.O. No: 298-797

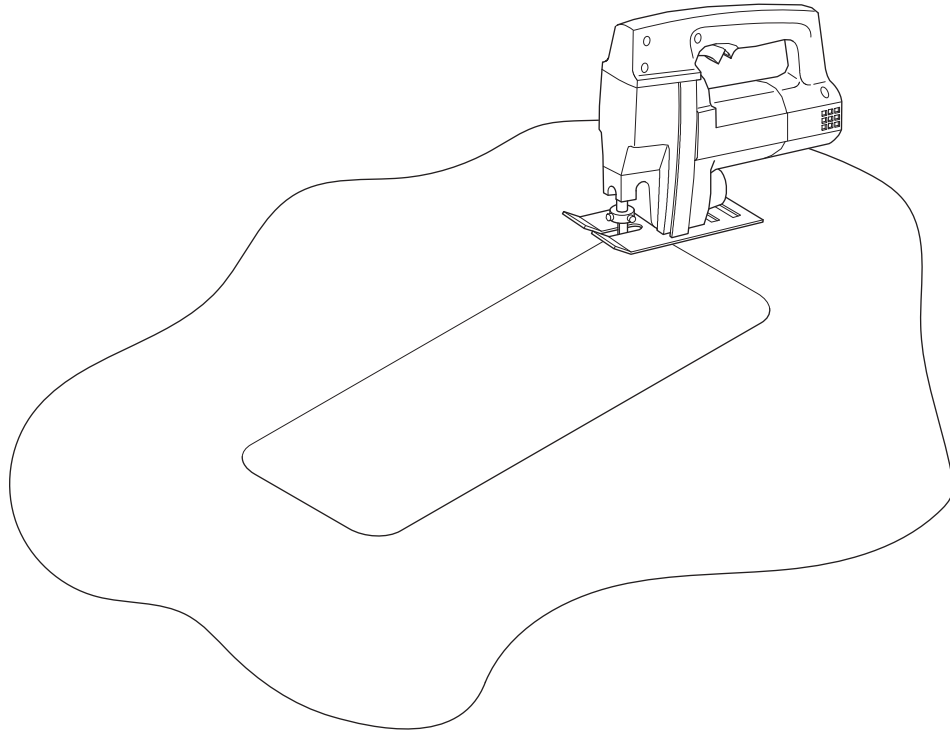
Page: 2 of 5

Part No: 6100-0142

Rev: 1

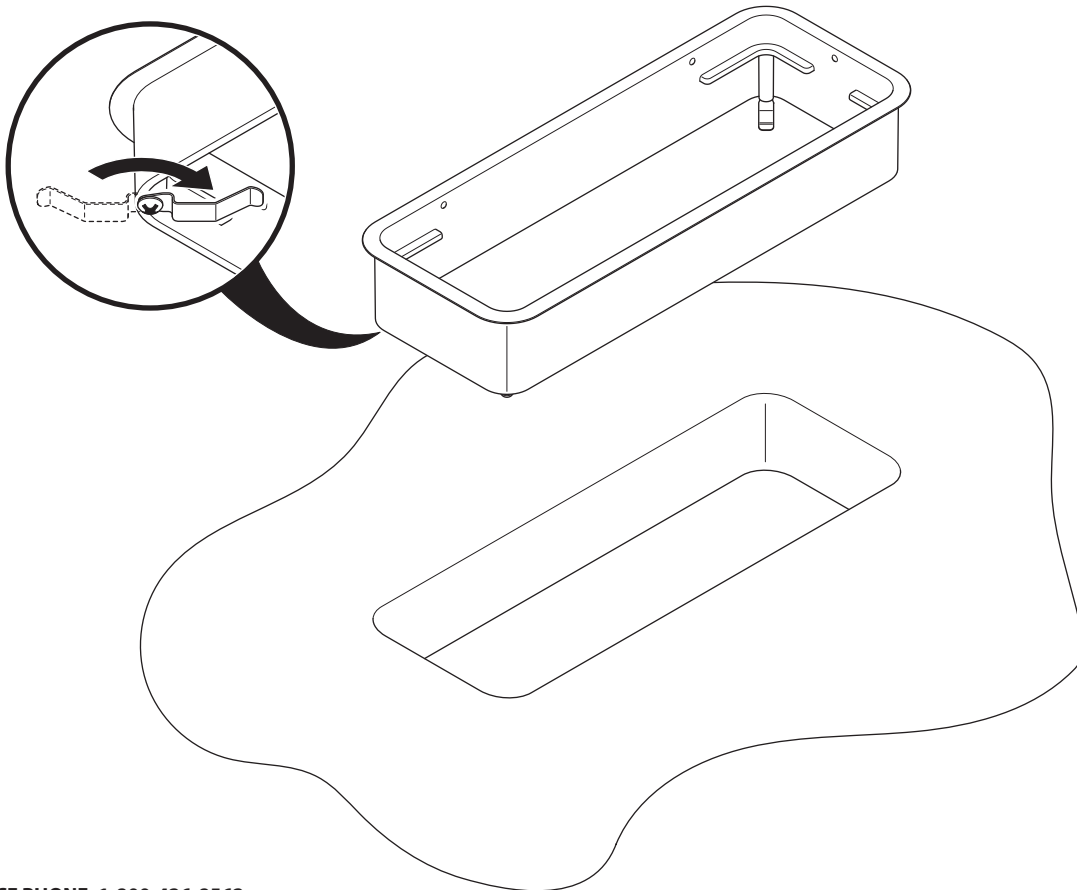
3

Cut along the outline



4

Install hatch



CUSTOMER SERVICE PHONE: 1-800-426-8562

**HAWORTH**

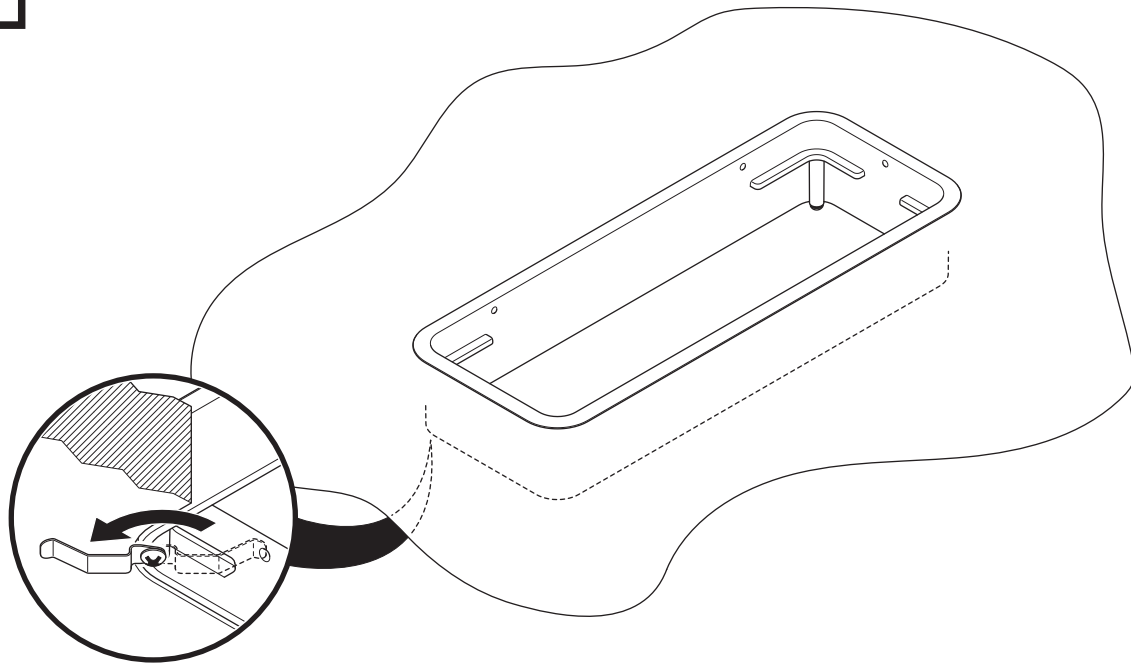
E.C.O. No: 298-797

Page: 3 of 5

Part No: 6100-0142

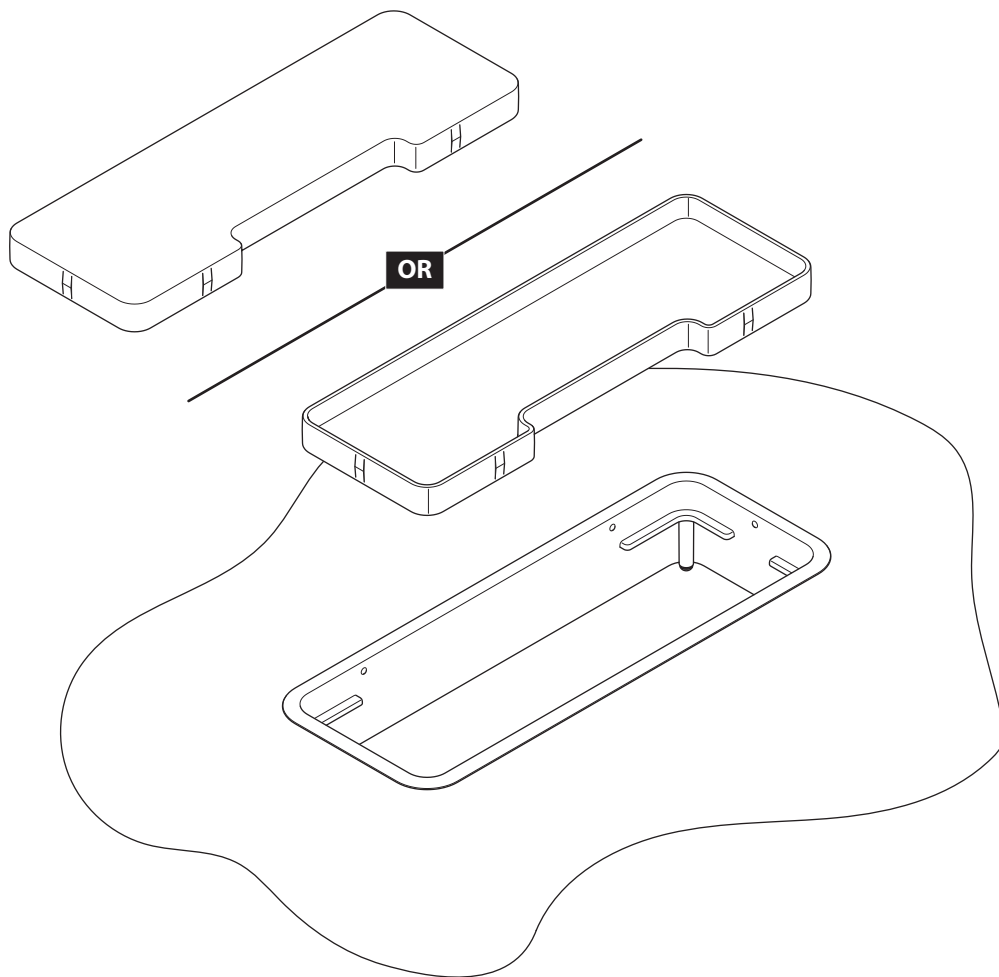
Rev: 1

5



**PENCIL TRAY OPTIONAL**

6



CUSTOMER SERVICE PHONE: 1-800-426-8562

**HAWORTH**

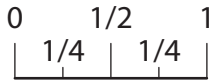
E.C.O. No: 298-797

Page: 4 of 5

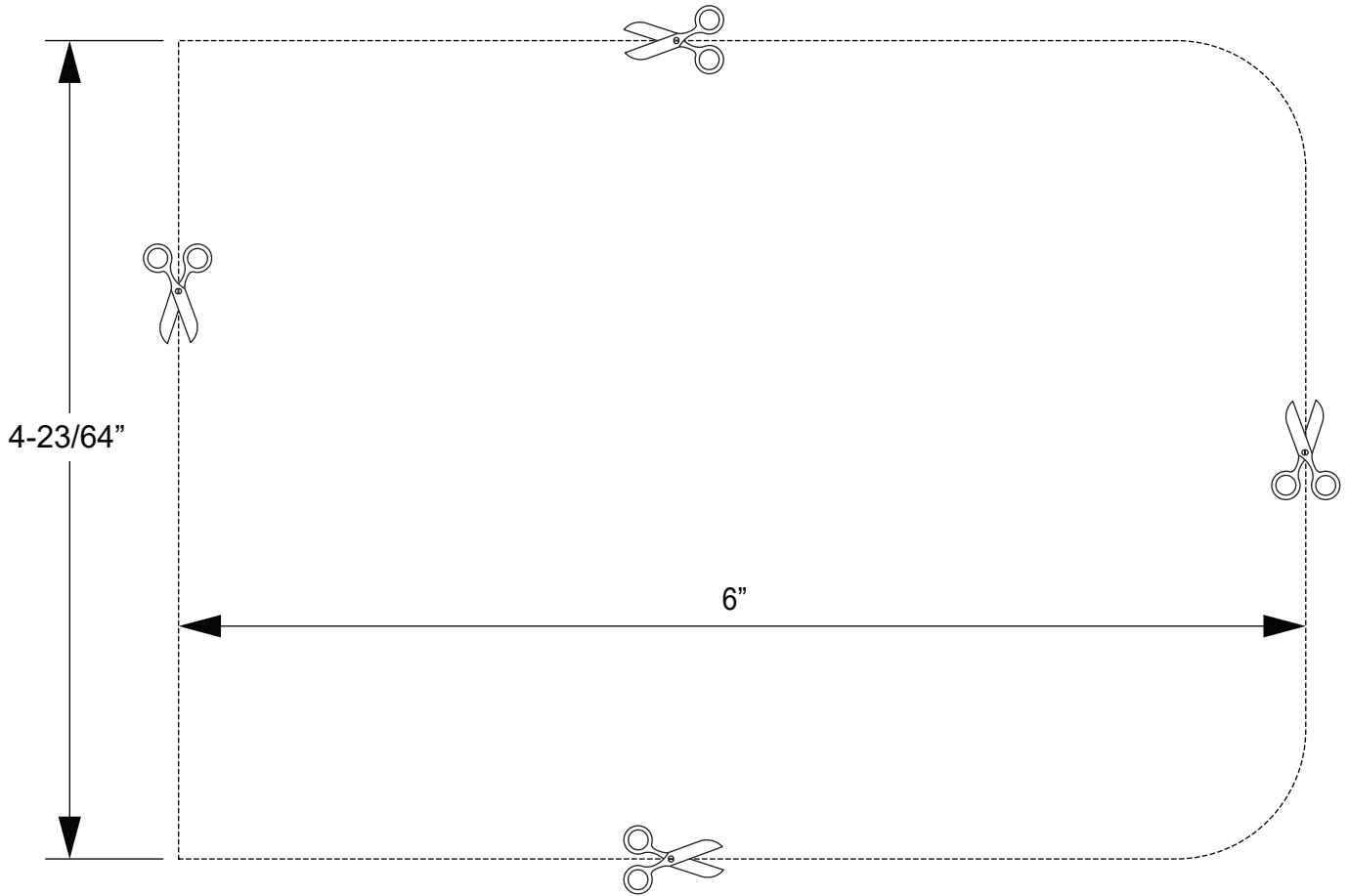
Part No: 6100-0142

Rev: 1

TEMPLATE



Scale 1 : 1



CUSTOMER SERVICE PHONE: 1-800-426-8562

**HAWORTH**

E.C.O. No: 298-797

Page: 5 of 5

Part No: 6100-0142

Rev: 1