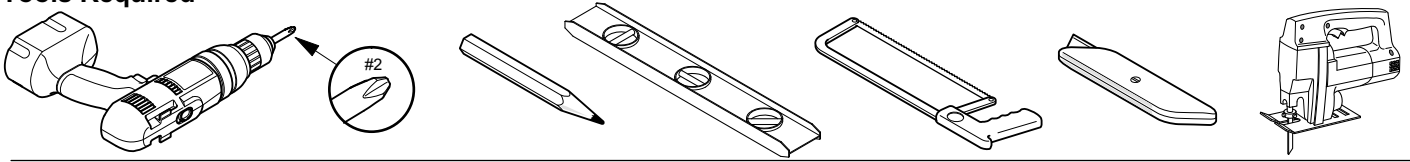


PATTERNS®

Work Wall and File Enclosure Top Feeds
Installation Instructions

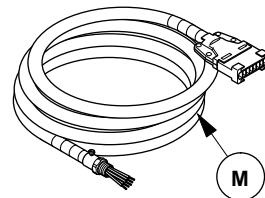
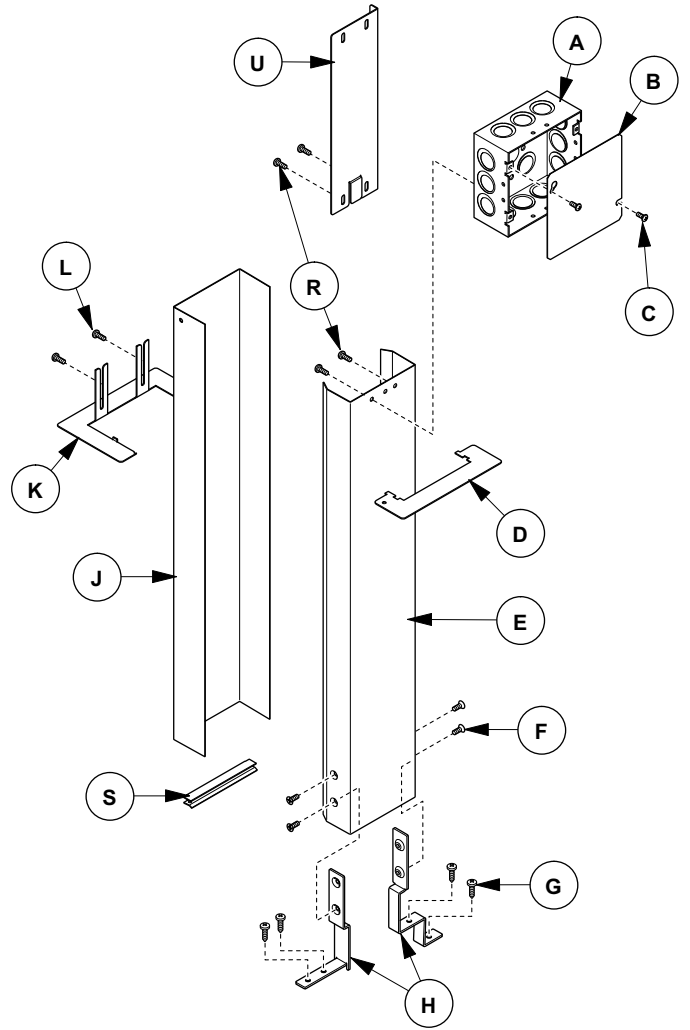
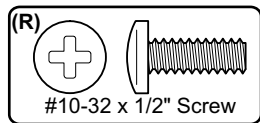
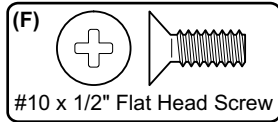
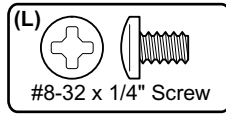
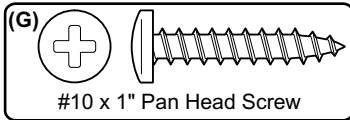
Tools Required



WARNING: Do not electrically interconnect modular power distribution systems powered from two different power feed units. This poses a **SHOCK HAZARD** to service personnel and will cause **RISK OF FIRE** due to excessive circulating currents.

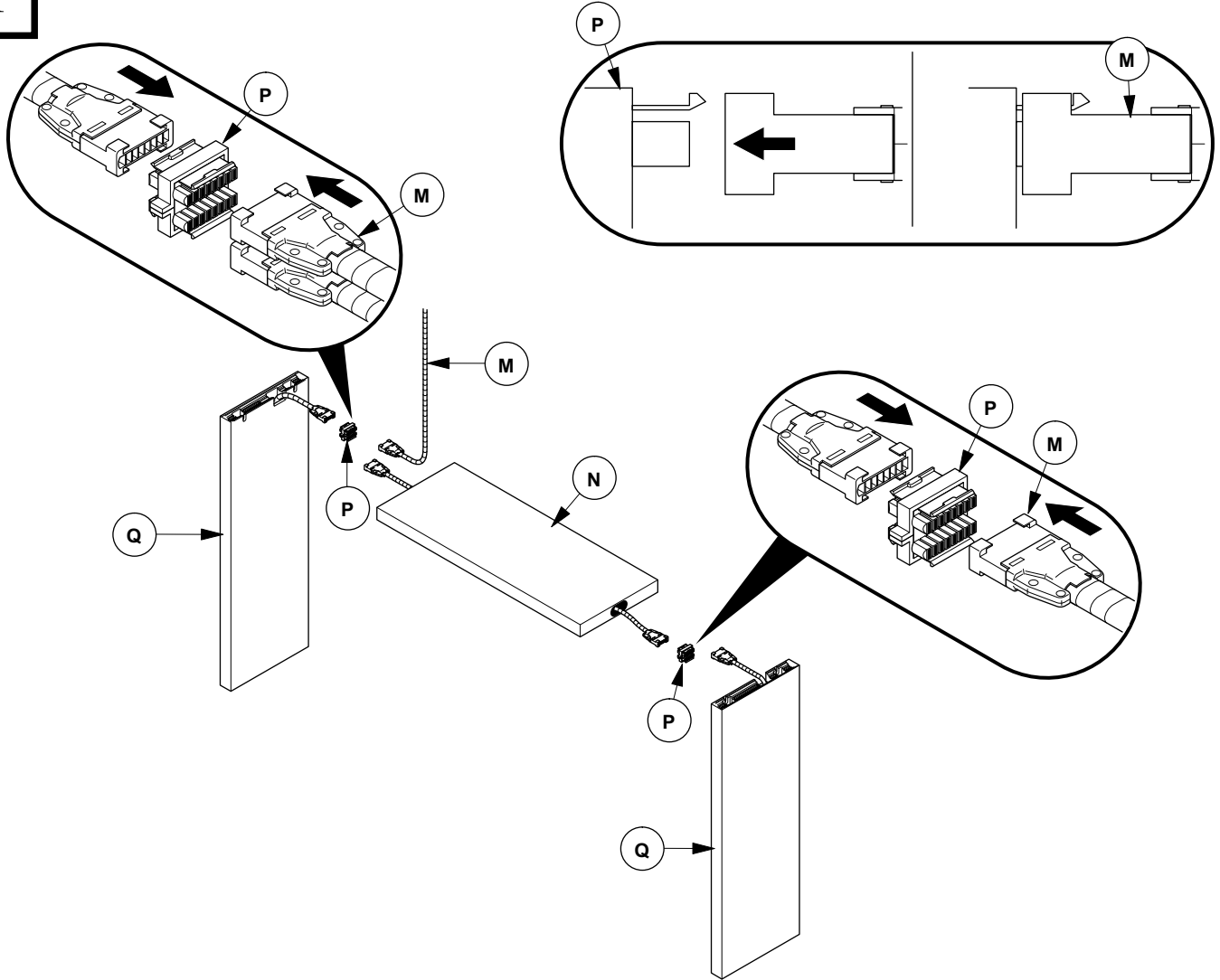
WARNING: Power to all branch circuits **MUST REMAIN DISCONNECTED** during installation or removal of electrical components and raceway covers to avoid **SHOCK HAZARDS**.

NOTE: Connections of this modular power distribution component **MUST** be done by a licensed electrician, who must control the size and loading of each branch circuit. The person or group installing Haworth products is responsible for complying with all applicable building and electrical code requirements.



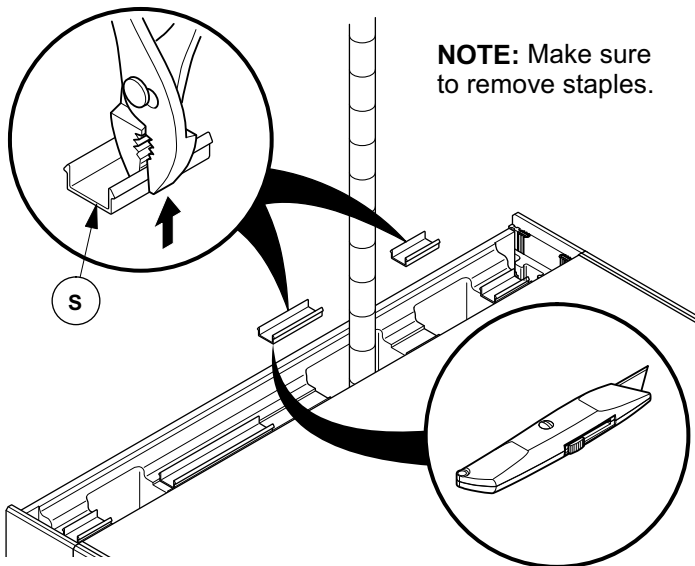
1

Snap together harness (M) and connect slabs (N & Q)



2

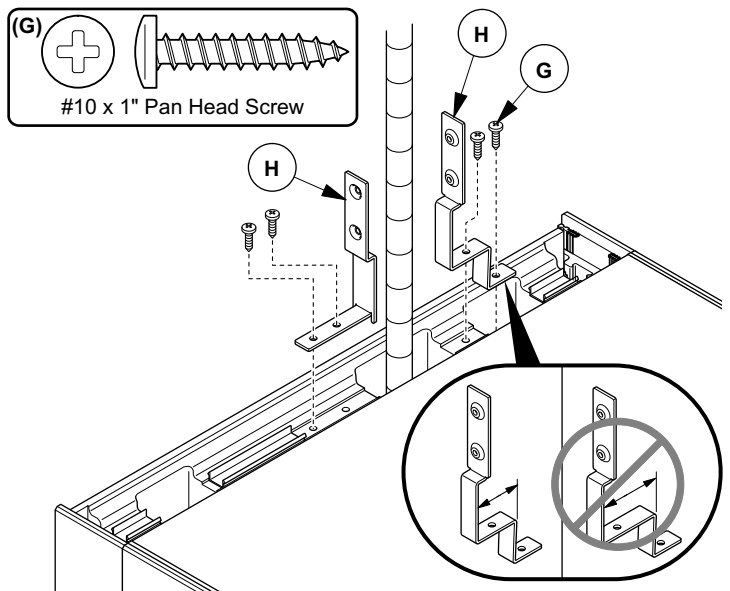
Remove plastic retainers (S) as shown



FOR 22" WORK WALL AND 22" FILE ENCLOSURE

3a

Install brackets (H)

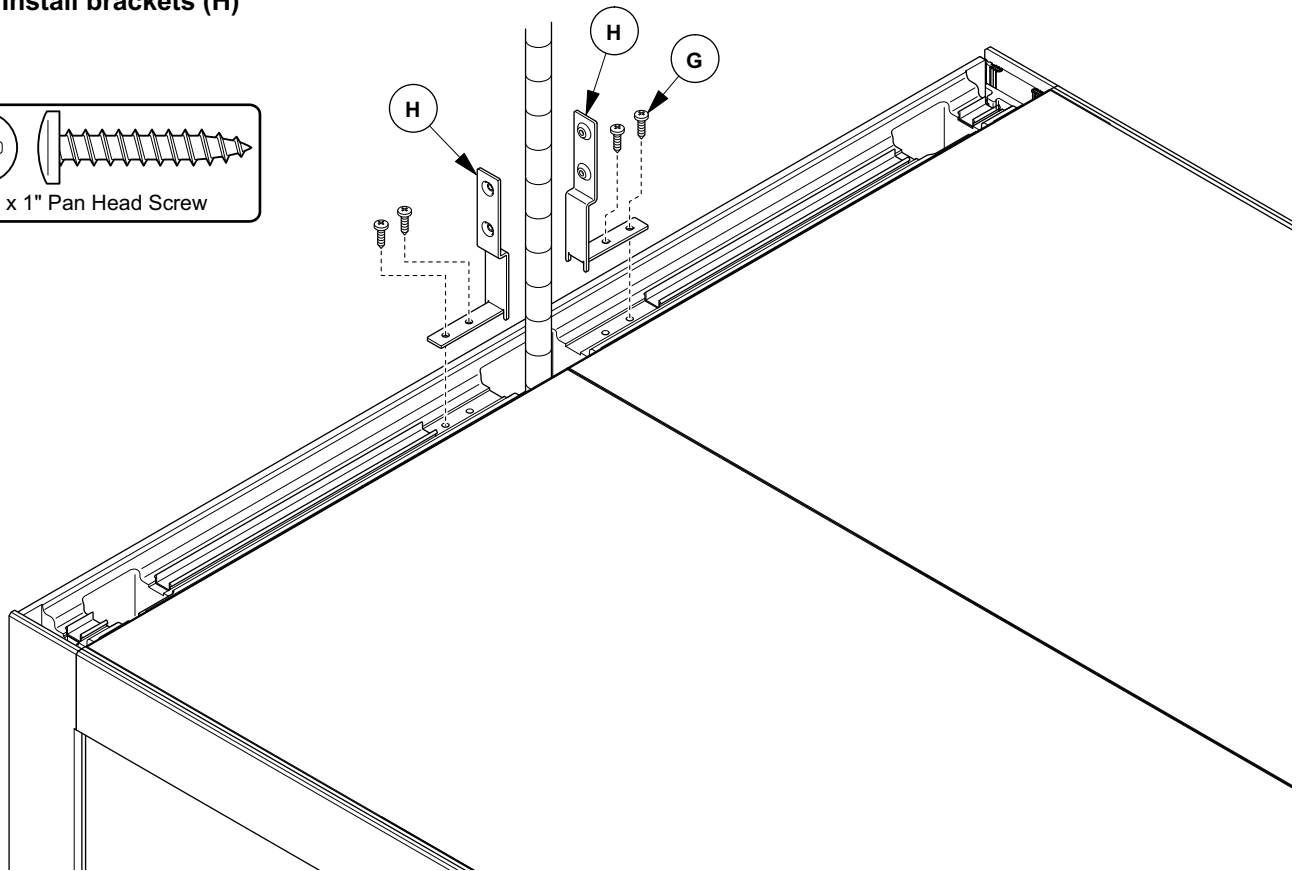
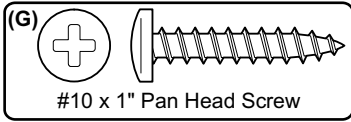


CUSTOMER SERVICE PHONE: 1-800-426-8562

FOR 42" FILE ENCLOSURE

3b

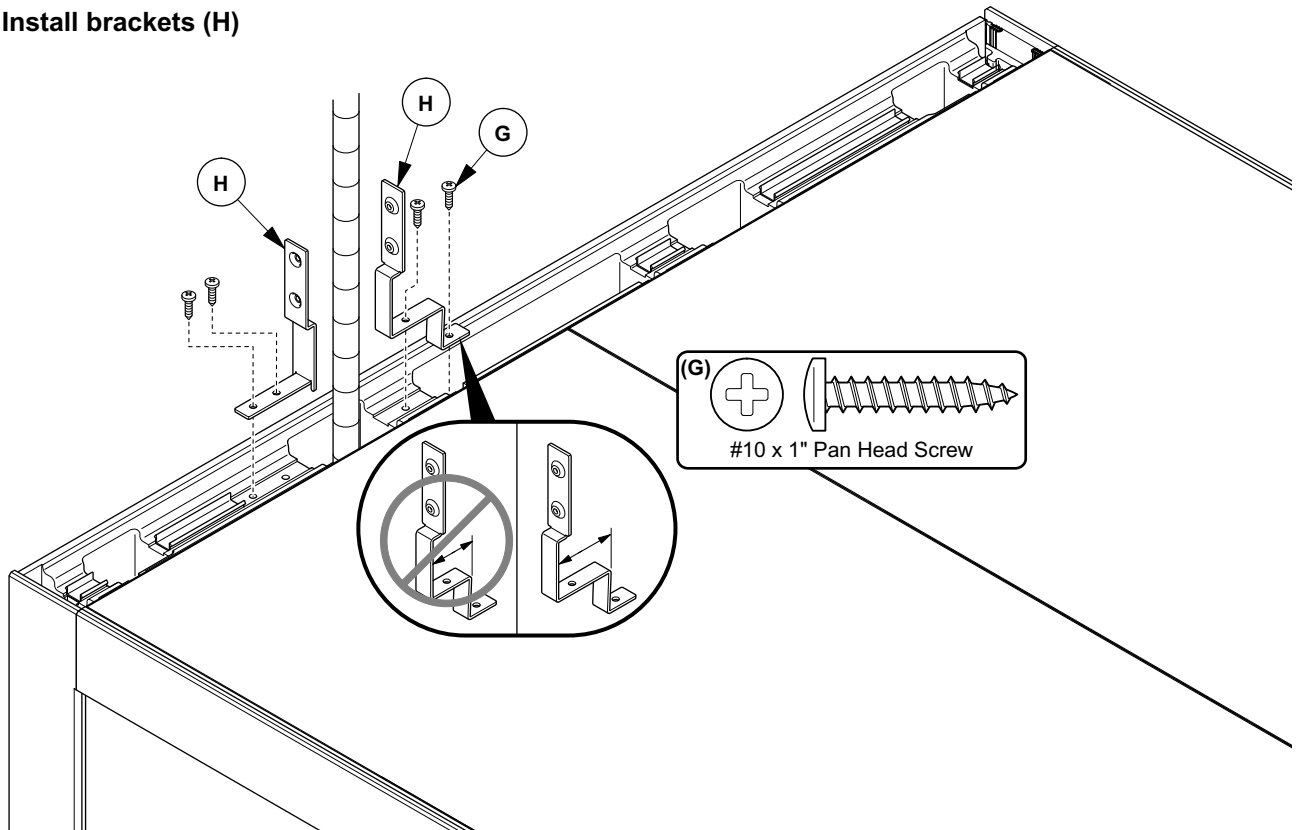
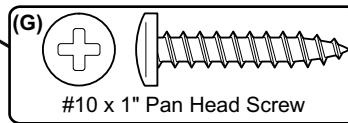
Install brackets (H)



FOR 42" WORK WALL

3c

Install brackets (H)



CUSTOMER SERVICE PHONE: 1-800-426-8562

HAWORTH®

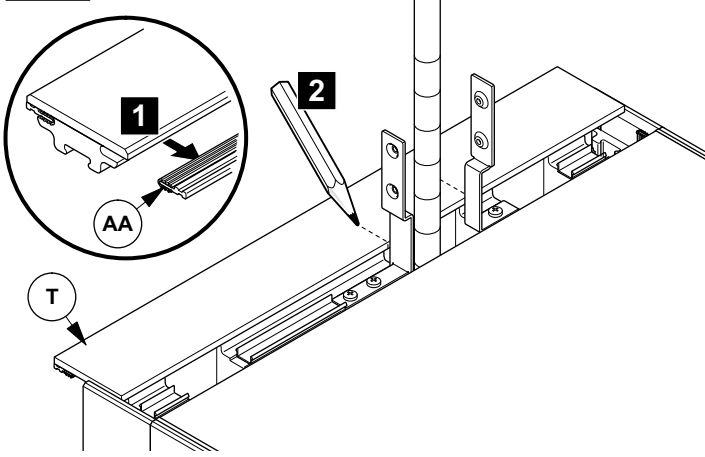
E.C.O. No: 298-453

Page: 3 OF 8

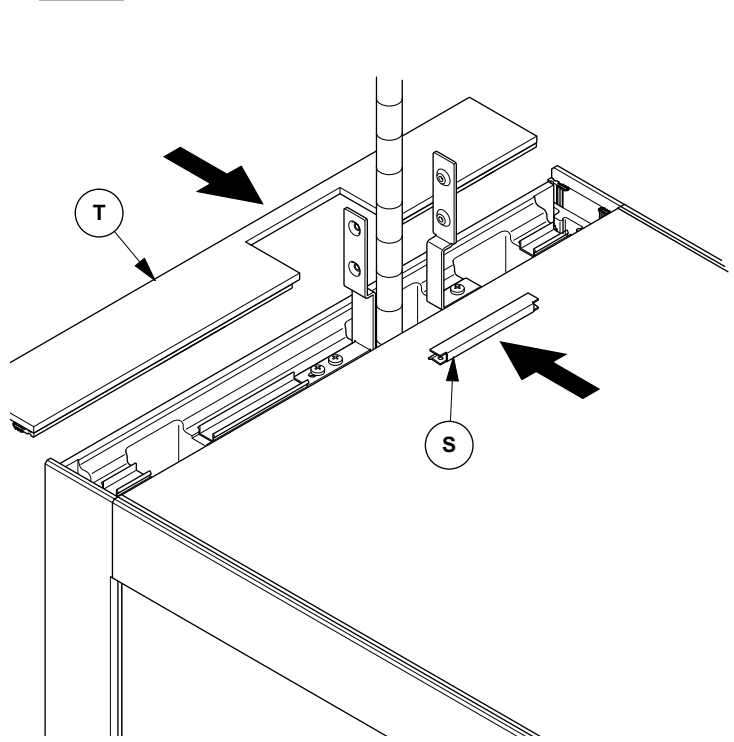
Part No: 7029-9795

Rev: A

4 Remove detail (AA) and mark top cap (T)

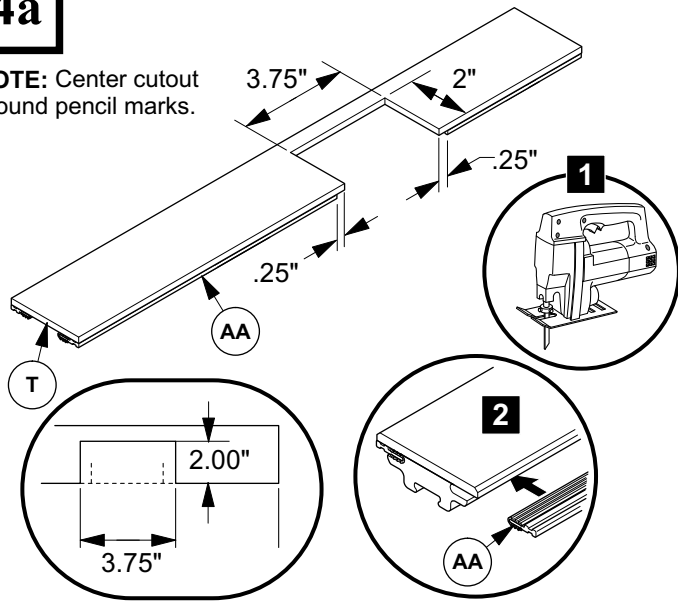


5 Install top cap (T) and trim (S)

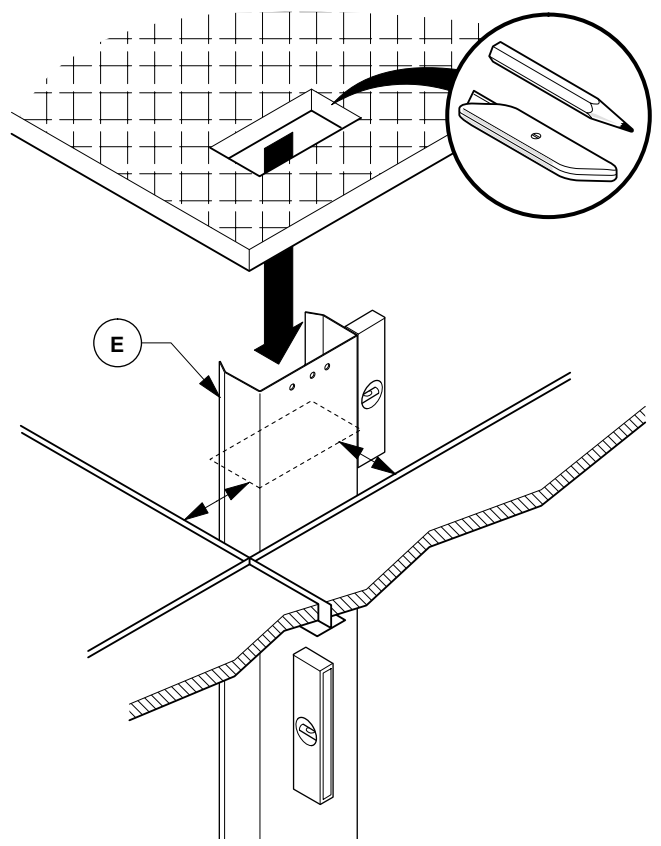


4a Cut top cap (T) and reinstall detail (AA)

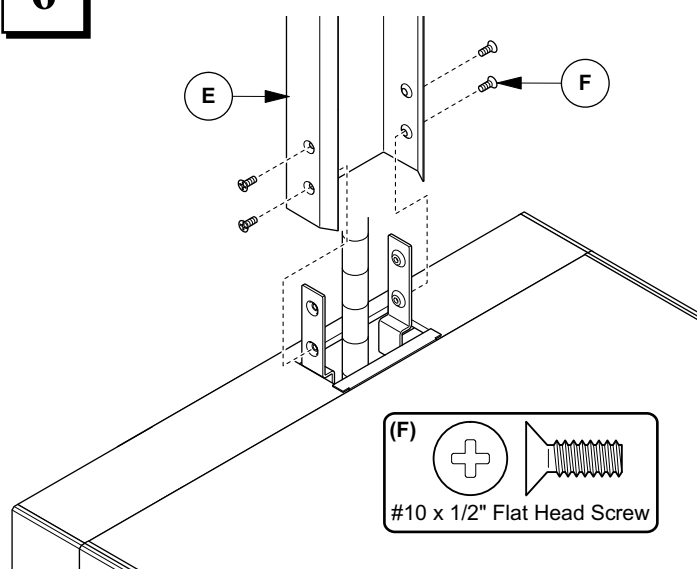
NOTE: Center cutout around pencil marks.



7 Plumb cover (E) and locate and cut a hole in ceiling tile



6 Install inner cover (E)

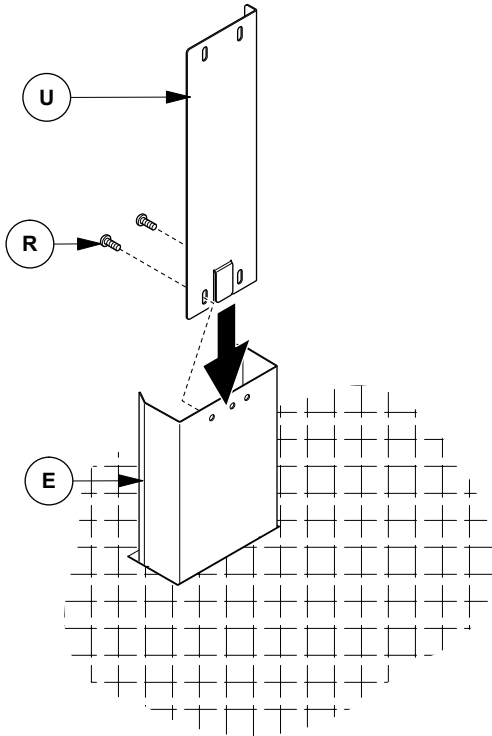
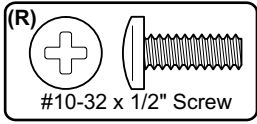


CUSTOMER SERVICE PHONE: 1-800-426-8562

FOR EXTENDED HEIGHT IF NECESSARY

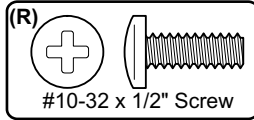
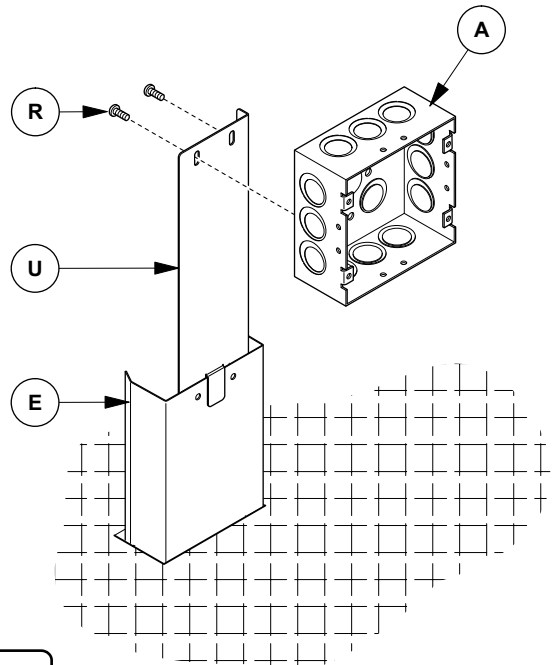
8

Install extended bracket (U)

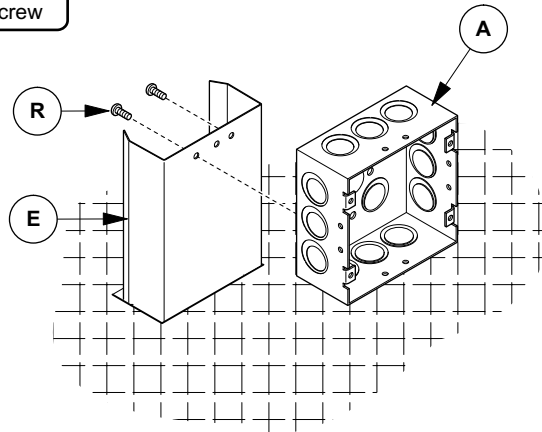


9

Install electrical box (A)

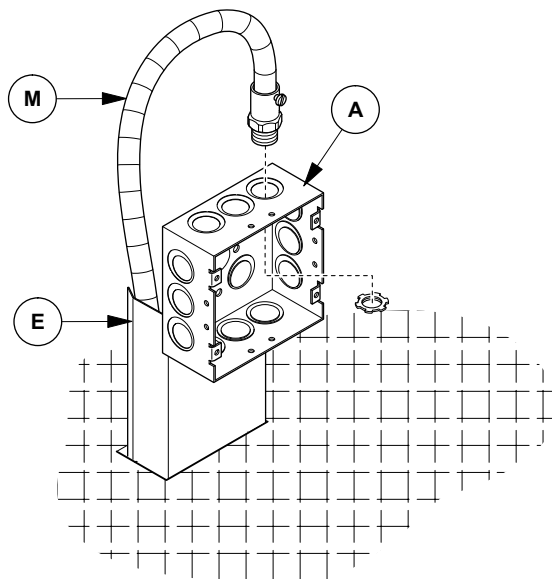


OR



10

Route power harness (M)



CUSTOMER SERVICE PHONE: 1-800-426-8562

HAWORTH®

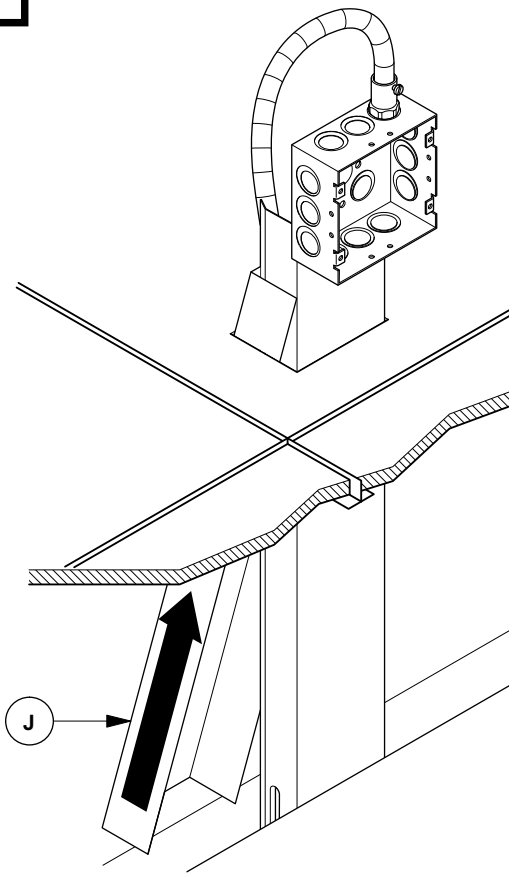
E.C.O. No: 298-453

Page: 5 OF 8

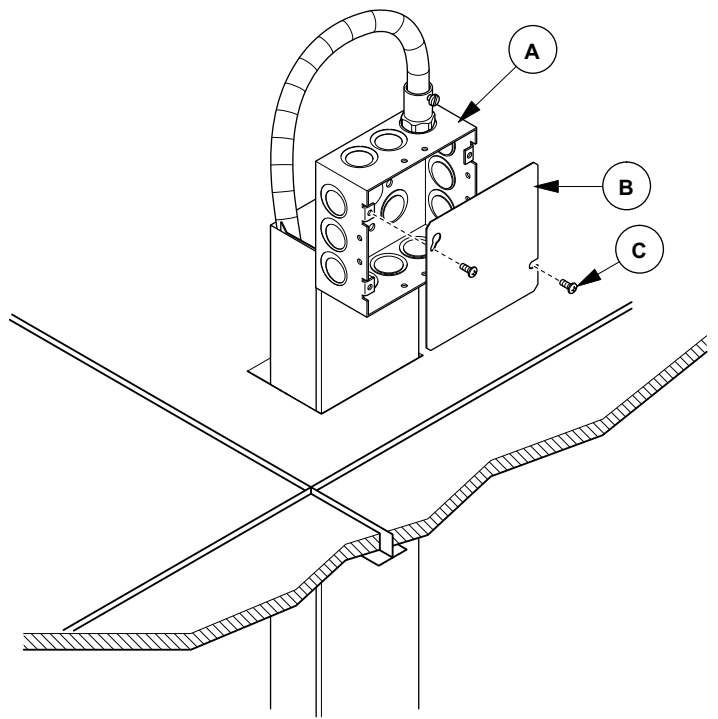
Part No: 7029-9795

Rev: A

11 Install cover (J)

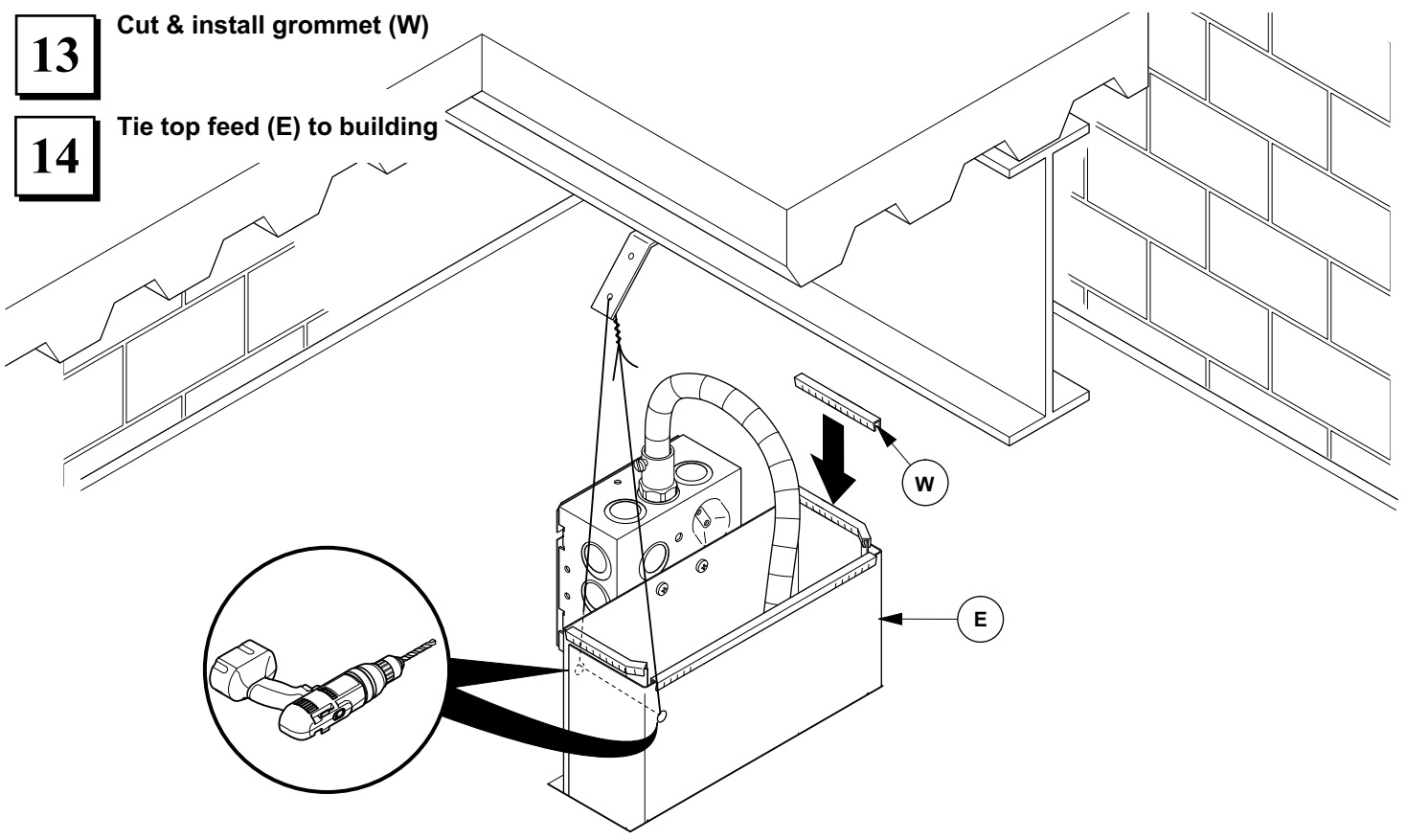


12 Install electrical box cover (B)



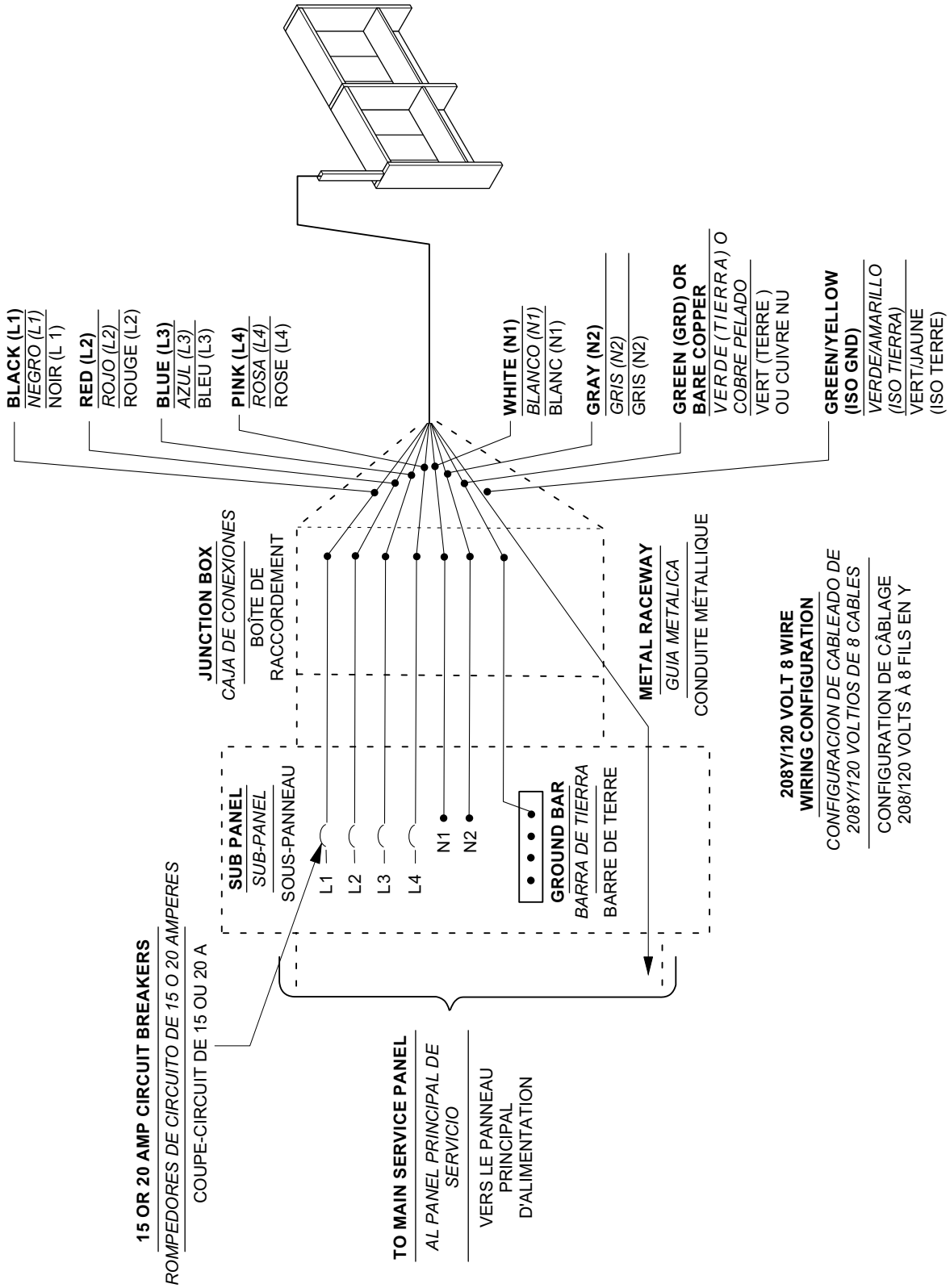
13 Cut & install grommet (W)

14 Tie top feed (E) to building



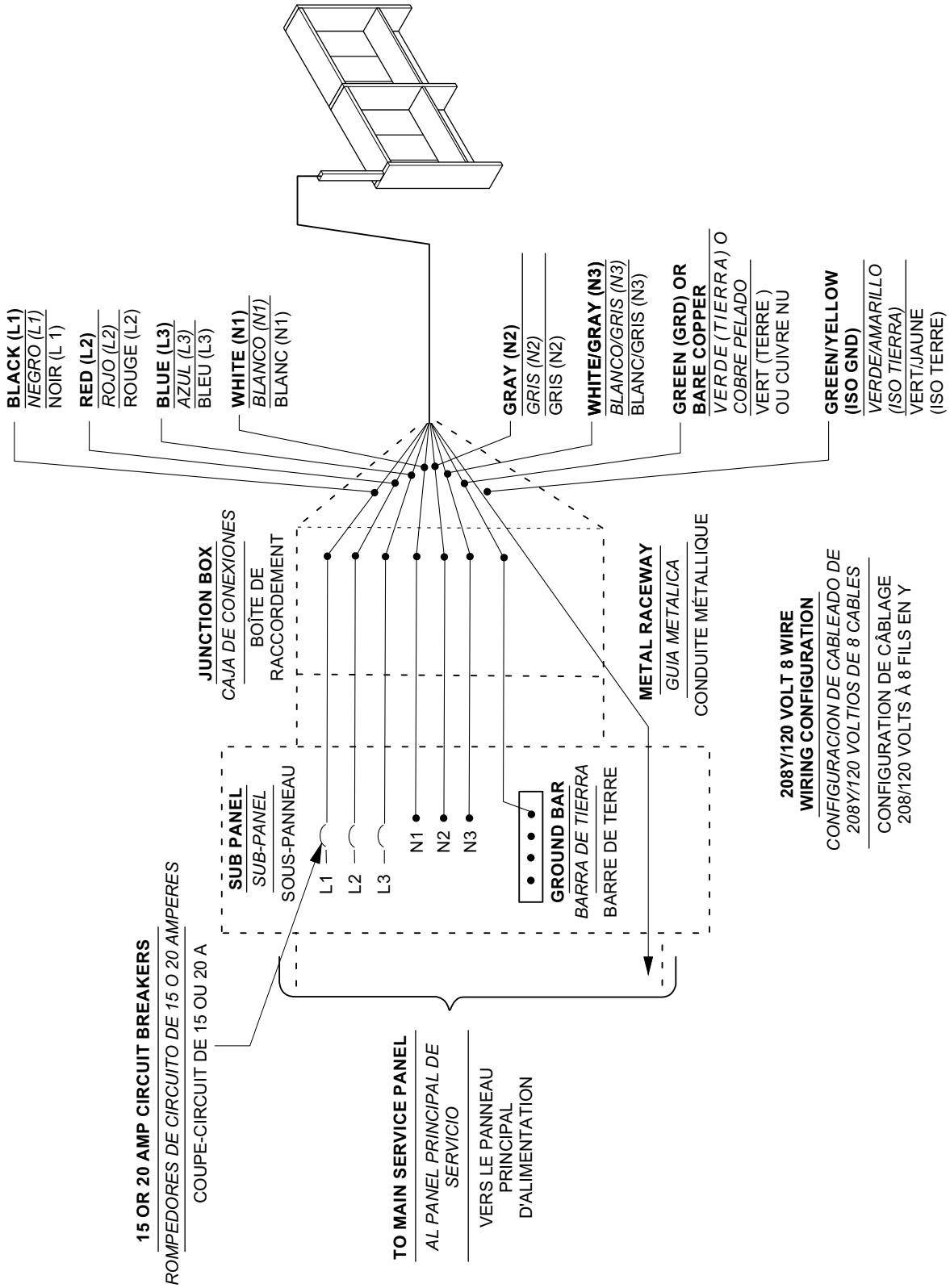
CUSTOMER SERVICE PHONE: 1-800-720-0002

ELECTRICAL WIRING CONFIGURATIONS / CONFIGURACIONES DEL ALAMBRAO ELECTRICO / SCHEMAS ÉLECTRIQUES



CUSTOMER SERVICE PHONE: 1-800-426-8562

ELECTRICAL WIRING CONFIGURATIONS / CONFIGURACIONES DEL ALAMBRAO ELECTRICO / SCHEMAS ÉLECTRIQUES



CUSTOMER SERVICE PHONE: 1-800-426-8562