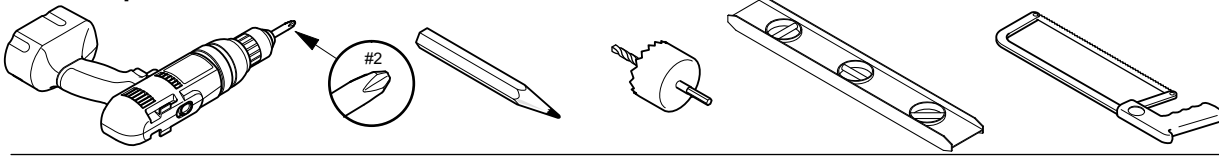


PATTERNS®

Studio Table Base Feed Installation Instructions

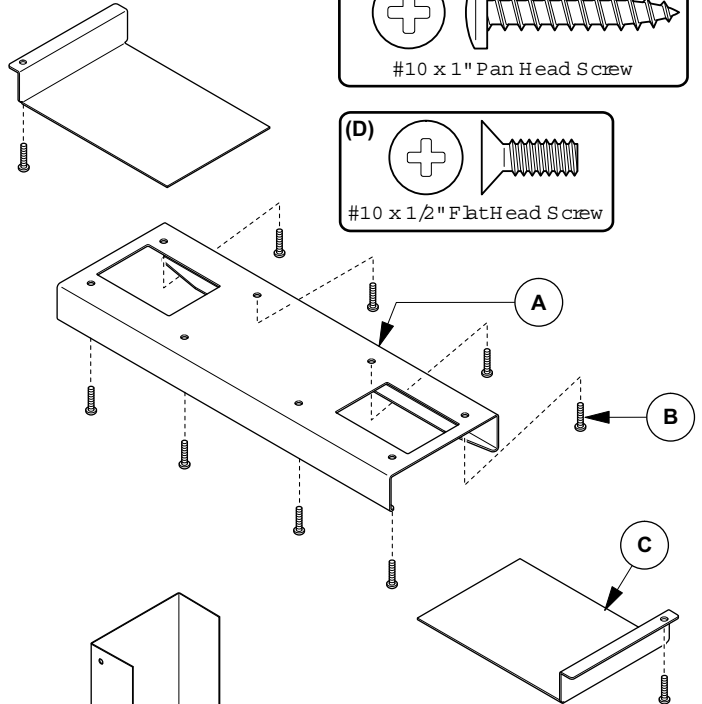
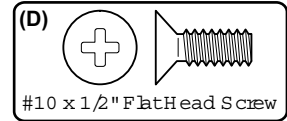
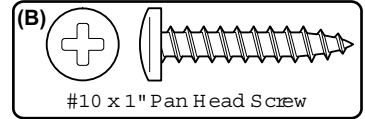
Tools Required



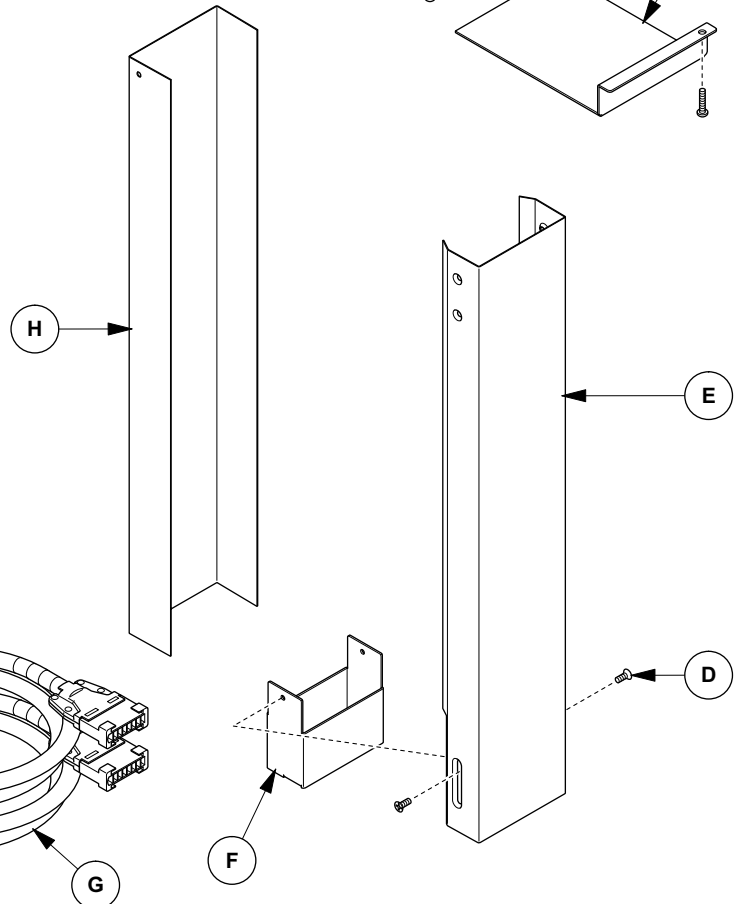
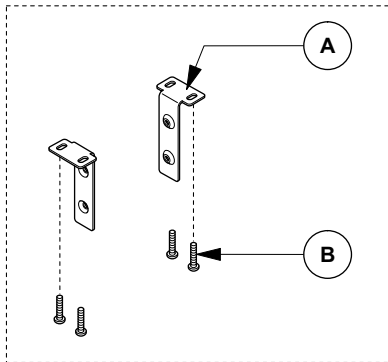
WARNING: Do not electrically interconnect modular power distribution systems powered from two different power feed units. This poses a **SHOCK HAZARD** to service personnel and will cause **RISK OF FIRE** due to excessive circulating currents.

WARNING: Power to all branch circuits **MUST REMAIN DISCONNECTED** during installation or removal of electrical components and raceway covers to avoid **SHOCK HAZARDS**.

NOTE: Connections of this modular power distribution component **MUST** be done by a licensed electrician, who must control the size and loading of each branch circuit. The person or group installing Haworth products is responsible for complying with all applicable building and electrical code requirements.



FOR SINGLE BASE FEED ONLY



CUSTOMER SERVICE PHONE: 1-800-426-8562

HAWORTH®

E.C.O. No: 298-450

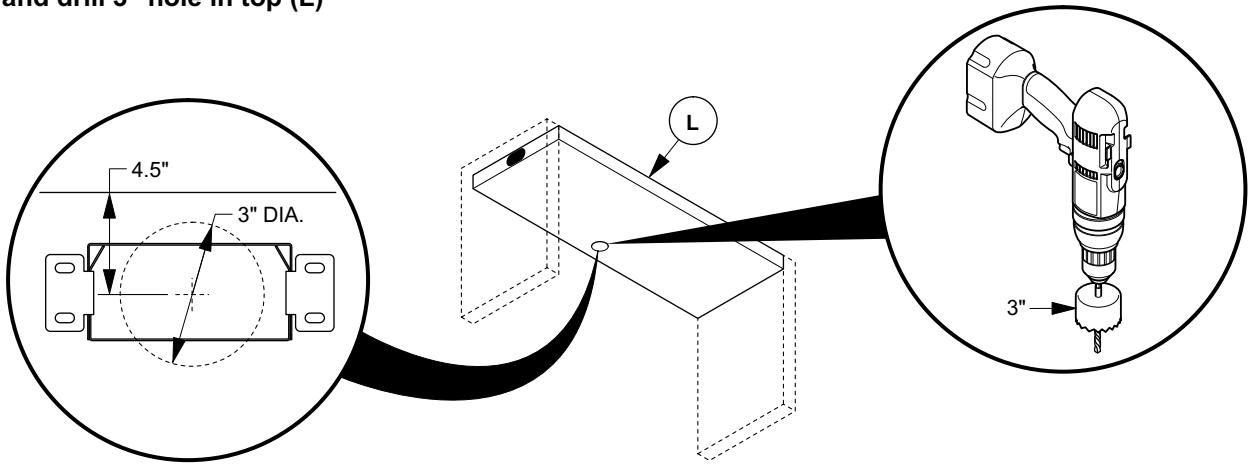
Page: 1 OF 6

Part No: 7029-9796

Rev: A

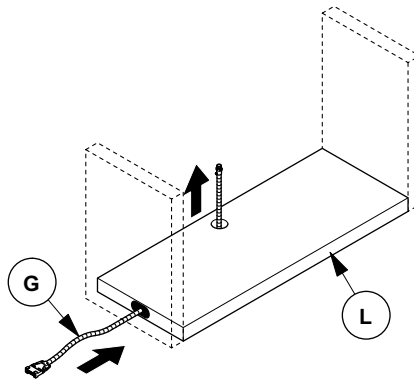
1

Locate and drill 3" hole in top (L)



2

Route harness (G)

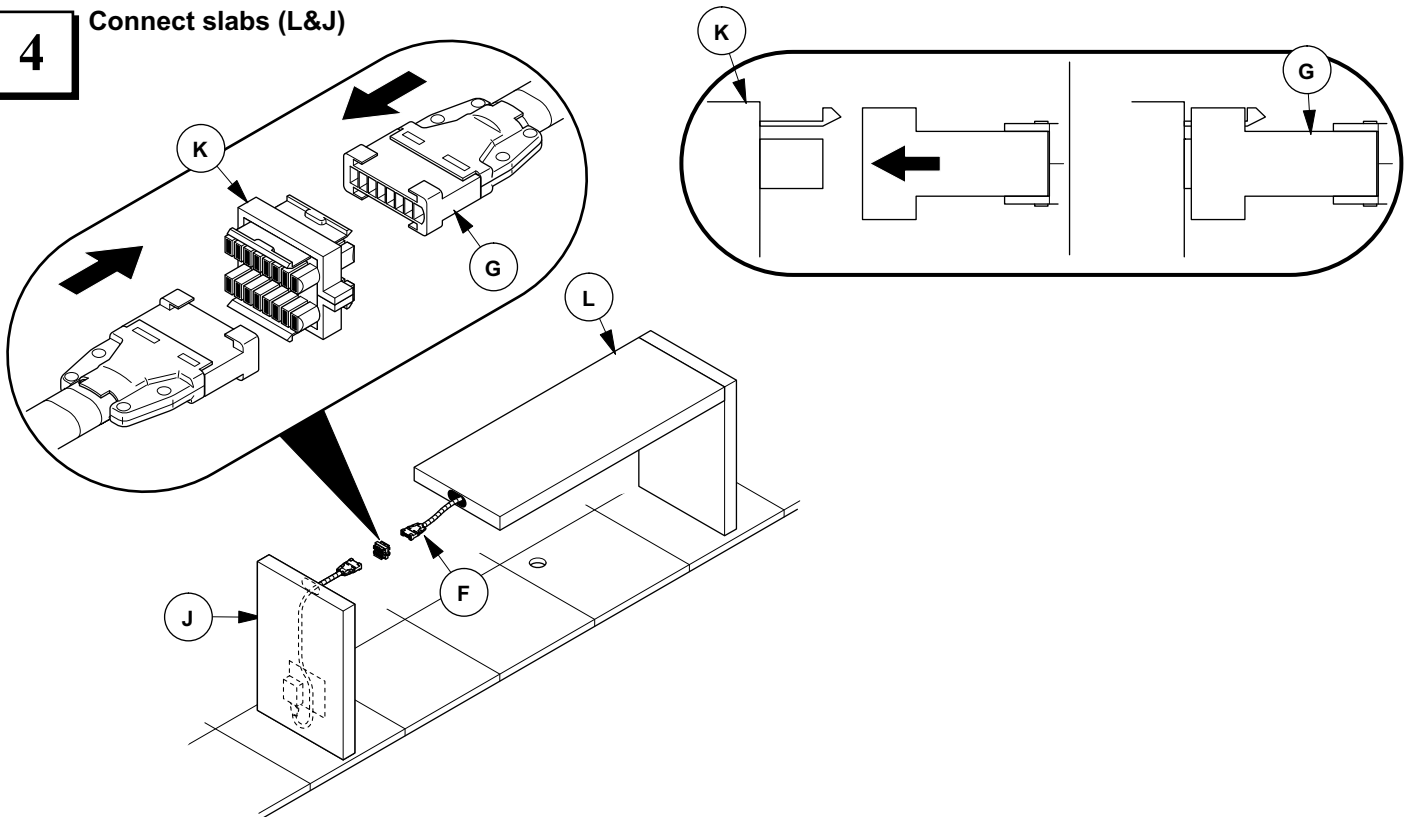


3

Snap together harness (G)

4

Connect slabs (L&J)



CUSTOMER SERVICE PHONE: 1-800-426-8562

HAWORTH®

E.C.O. No: 298-450

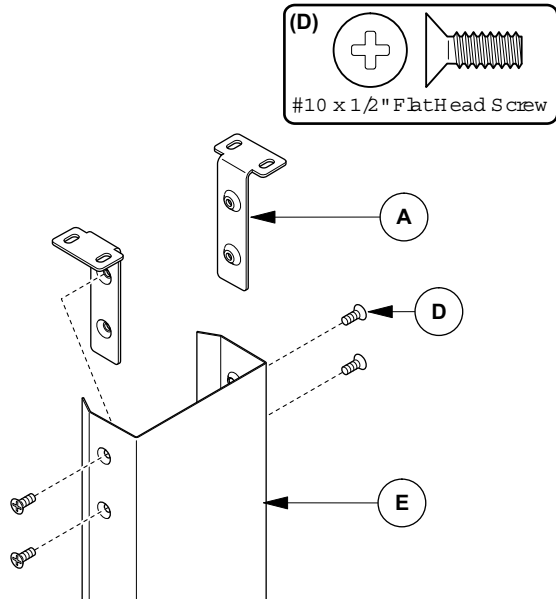
Page: 2 OF 6

Part No: 7029-9796

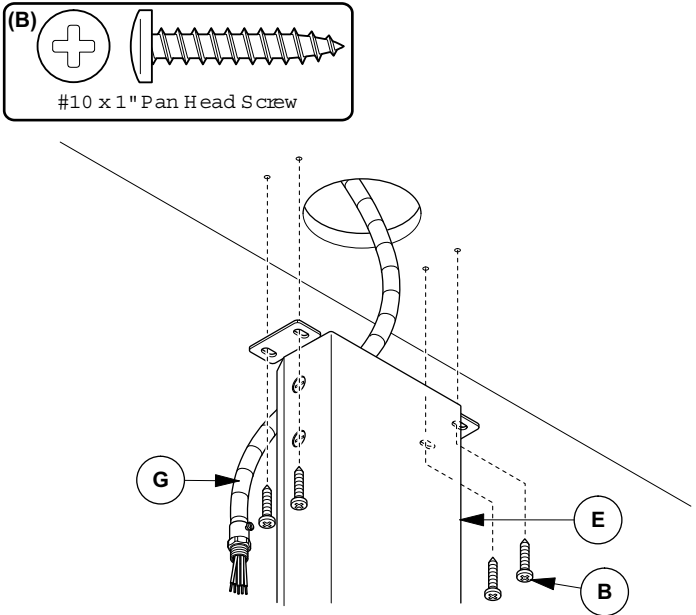
Rev: A

FOR SINGLE BASE FEED ONLY

5 Install L-brackets (A)

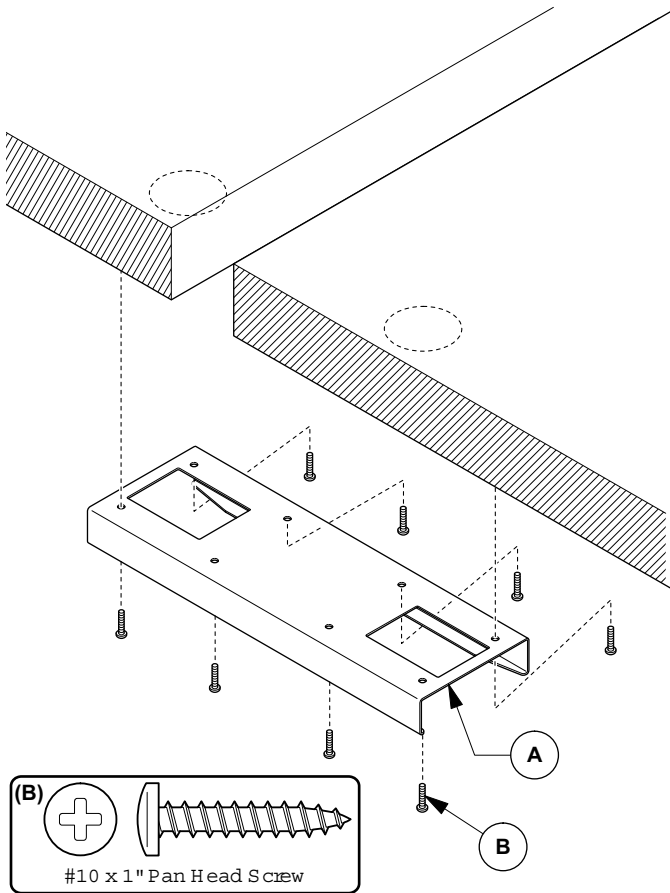


6 Install inner cover (D)

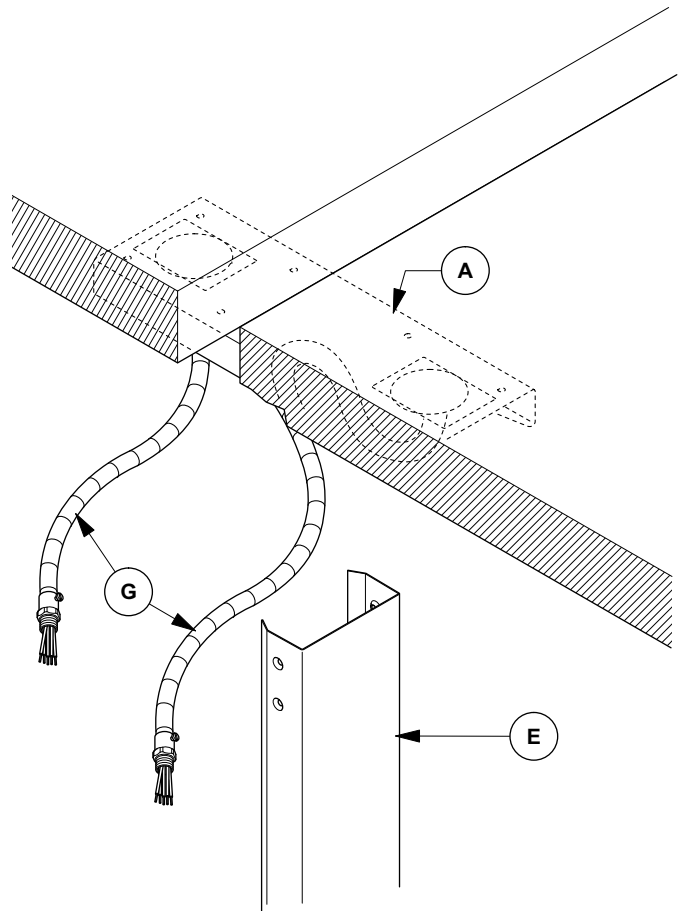


FOR DOUBLE BASE FEED ONLY

7 Install bracket (A)



8 Install inner cover (E)



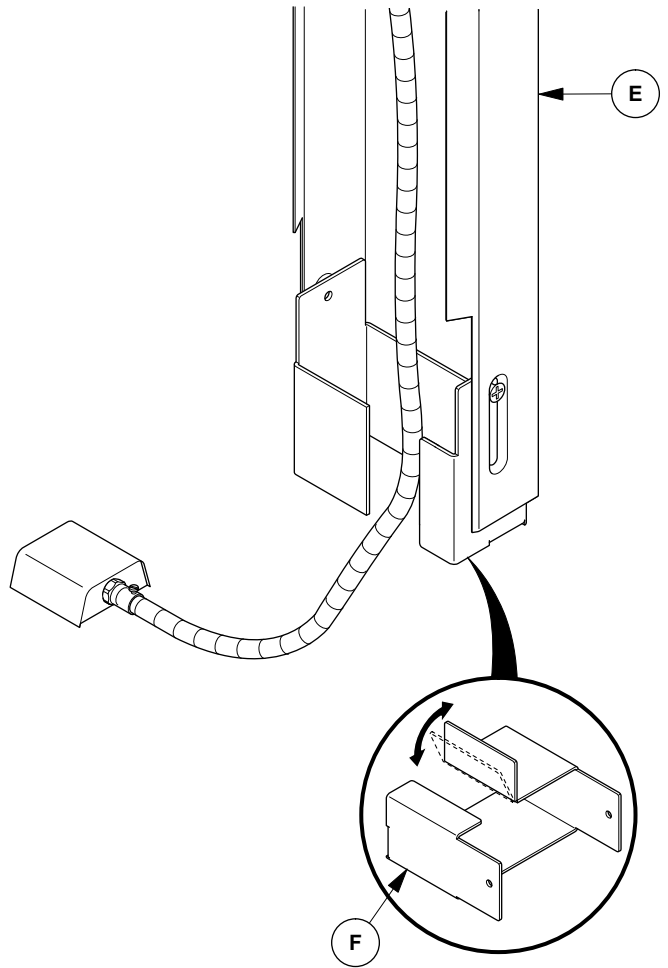
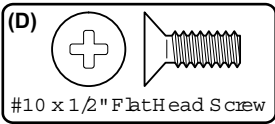
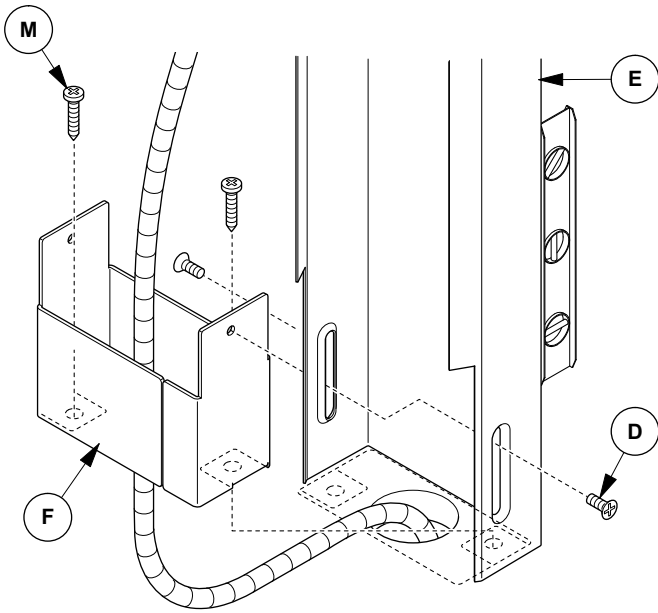
CUSTOMER SERVICE PHONE: 1-800-426-8562

OPTIONAL ROUTING ABOVE FLOOR

9

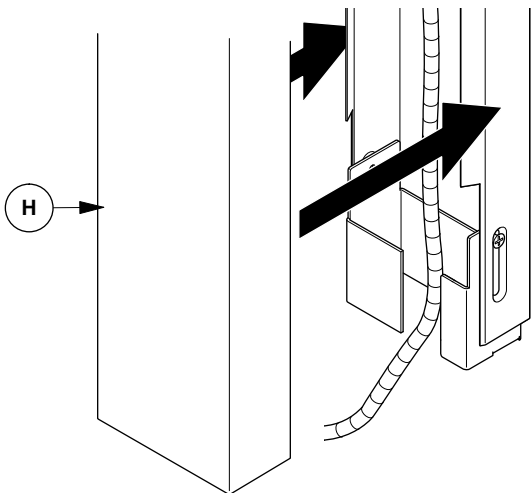
Install floor bracket (F)

WARNING! Appropriate screws/bolts (M) must be used to attach bracket to floor. Due to various floor constructions, fasteners are not provided.



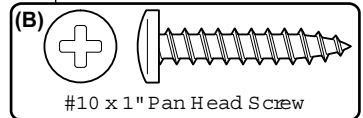
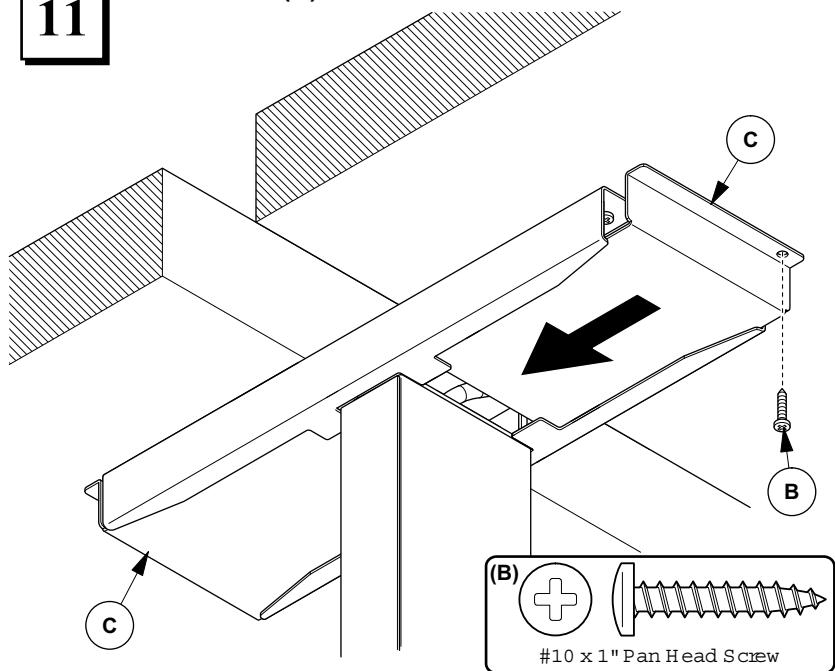
10

Install cover (H)



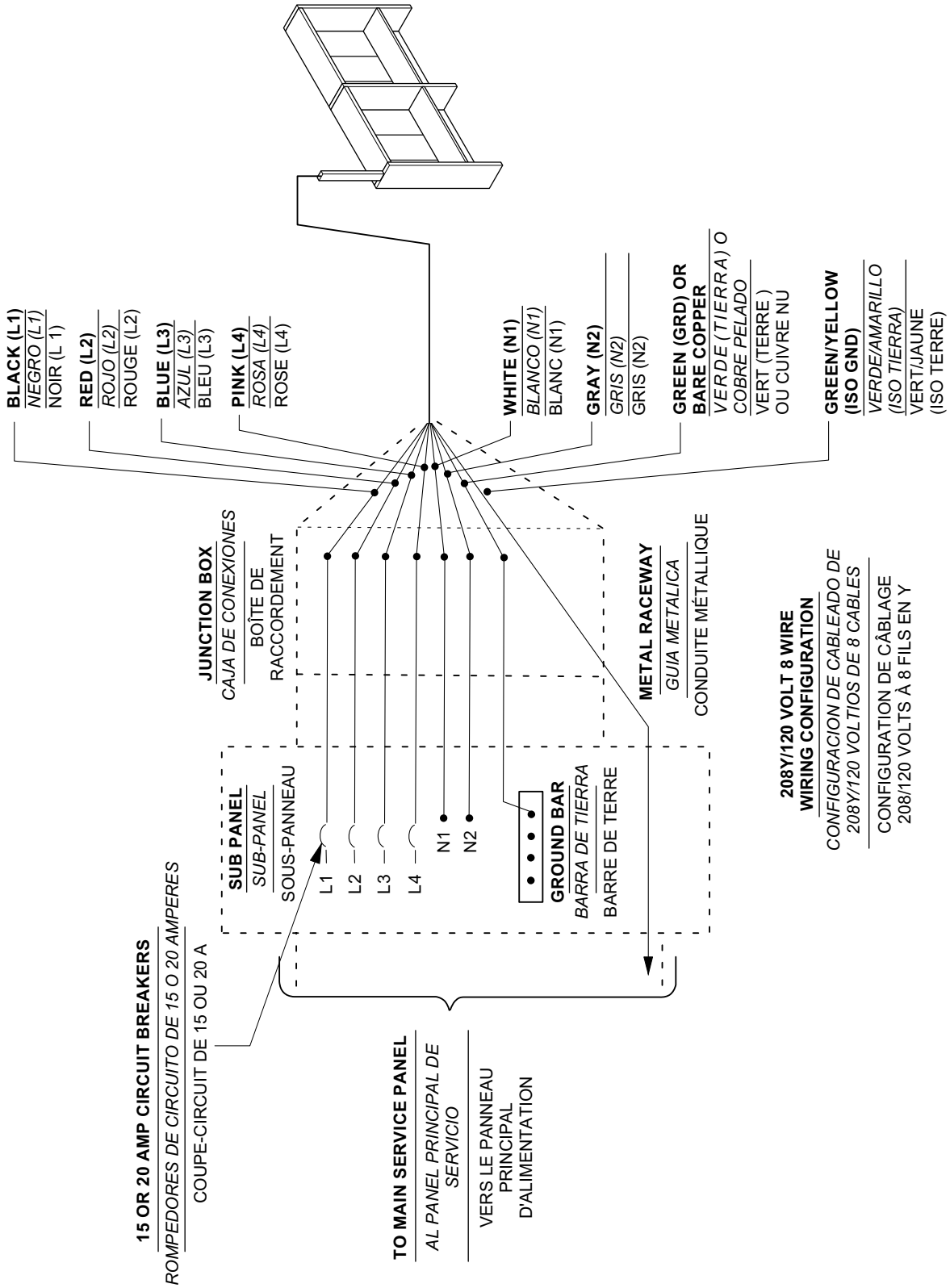
11

Install cover (C)



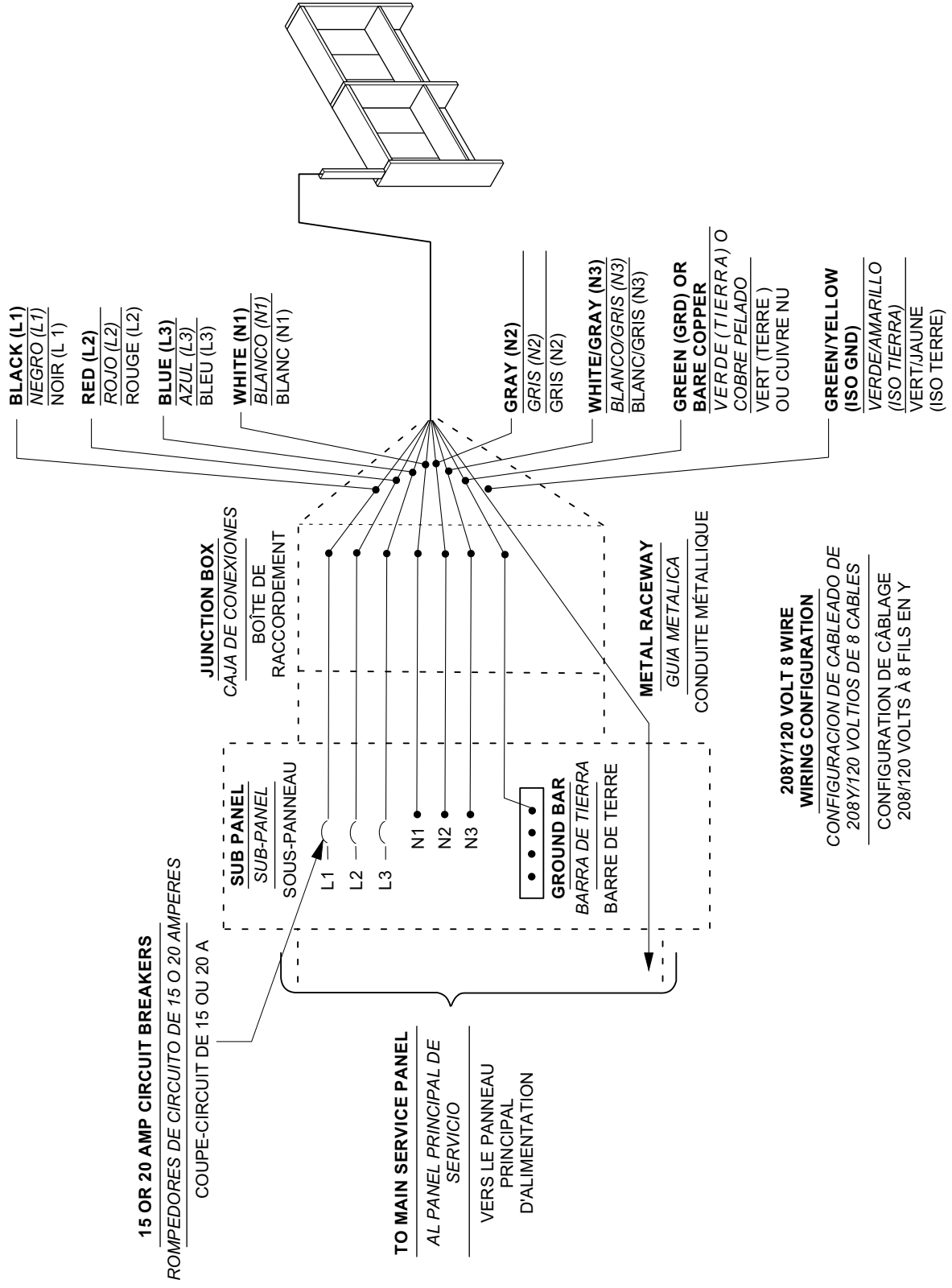
CUSTOMER SERVICE PHONE: 1-800-426-8562

ELECTRICAL WIRING CONFIGURATIONS / CONFIGURACIONES DEL ALAMBRAO ELECTRICO / SCHEMAS ÉLECTRIQUES



CUSTOMER SERVICE PHONE: 1-800-426-8562

ELECTRICAL WIRING CONFIGURATIONS / CONFIGURACIONES DEL ALAMBRAO ELECTRICO / SCHEMAS ÉLECTRIQUES



CUSTOMER SERVICE PHONE: 1-800-426-8562