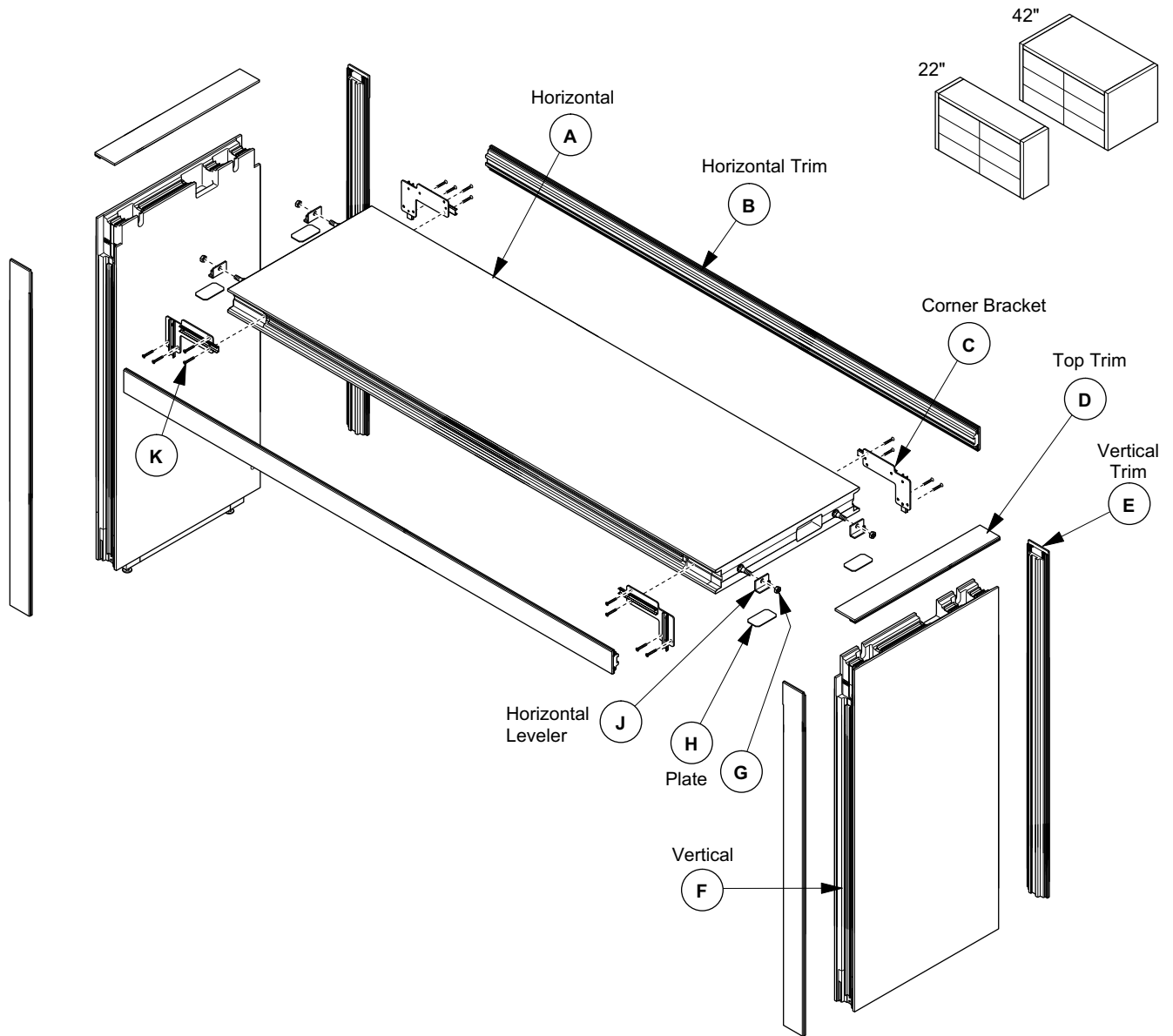
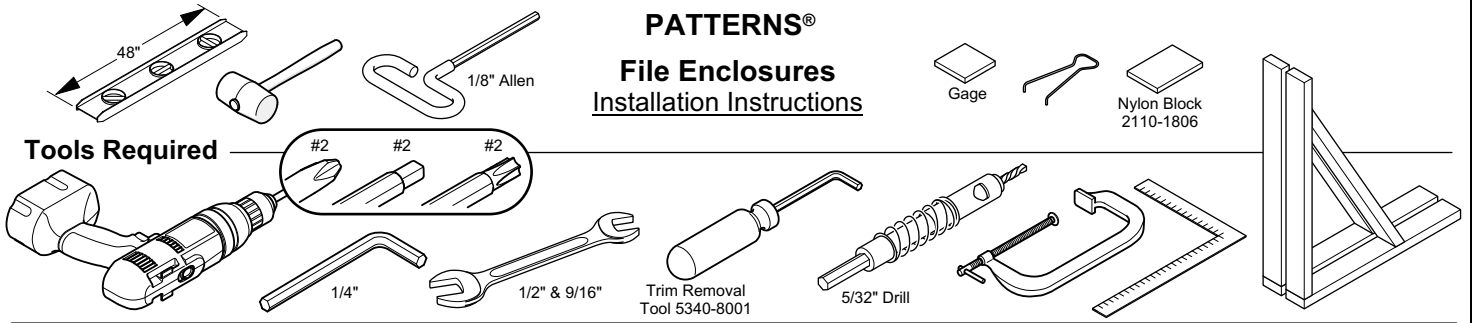


PATTERNS®
File Enclosures
Installation Instructions

Tools Required



ELECTRICAL ASSEMBLY

Connection of panels to permanent wiring of building **MUST** be done by a licensed electrician who must control the size and loading of each branch circuit. The person or group installing HAWORTH products is responsible for complying with all NEC and local code requirements. In some localities it is also required that the electrician perform all electrical work including installation of receptacles and flexible connectors of the pre-wired electrical system. Check with your local jurisdiction for any restrictions in your area. See "PATTERNS Power Installation Instructions" which accompany electrical products.

CUSTOMER SERVICE PHONE: 1-800-426-8562

HAWORTH®

E.C.O. No: 370-053

Page: 1 of 6

Part No: 7029-9798

Rev: A

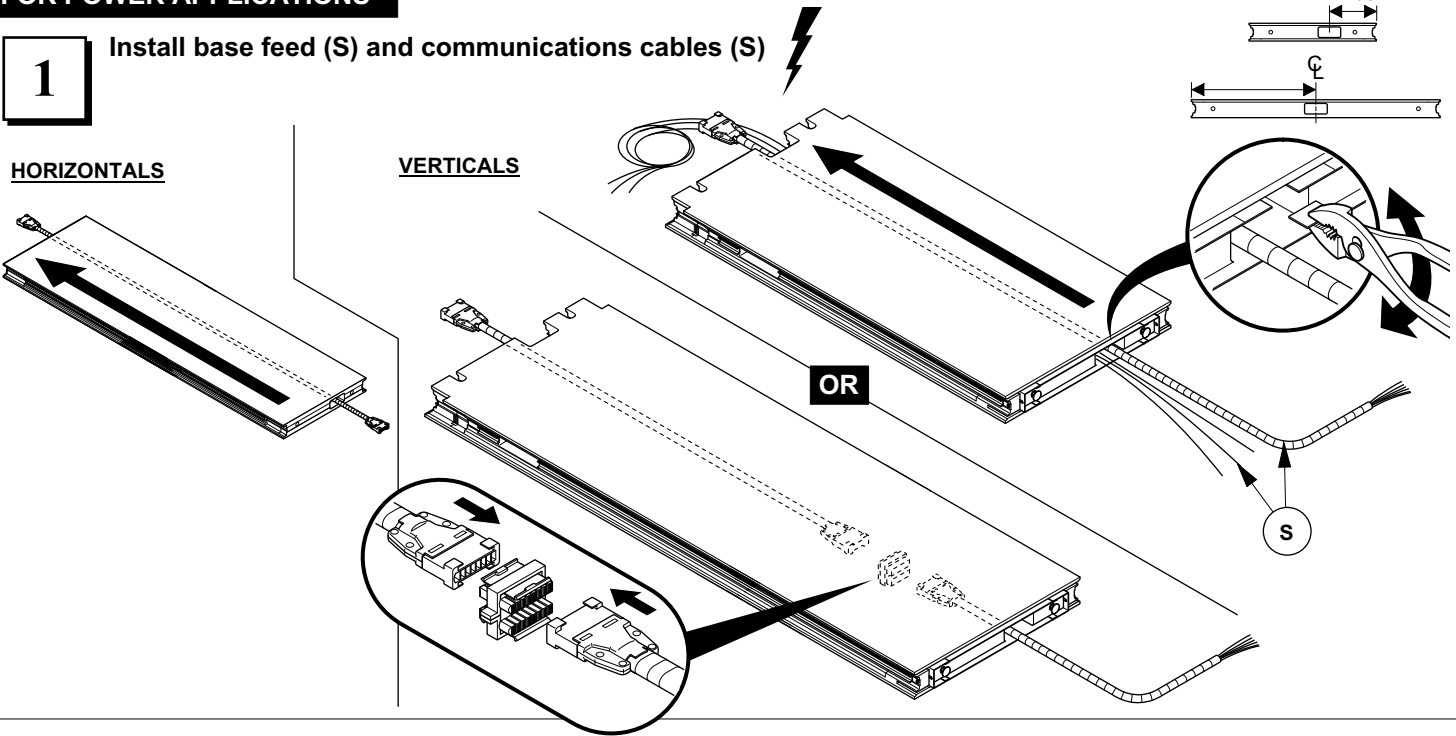
FOR POWER APPLICATIONS

1

Install base feed (S) and communications cables (S)

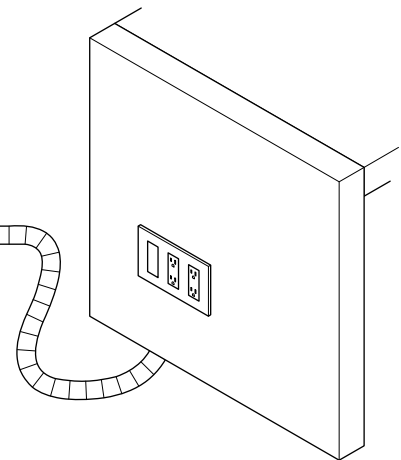
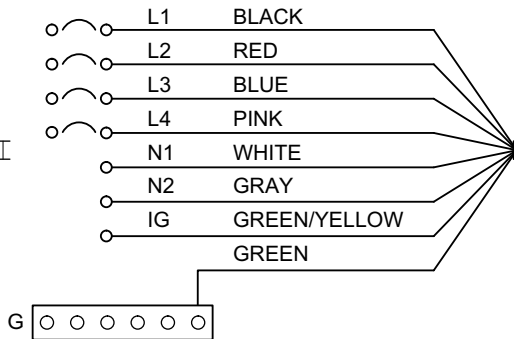
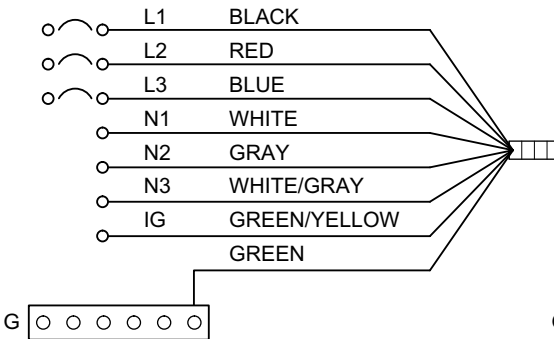
HORIZONTALS

VERTICALS



3 CIRCUIT WIRE DIAGRAM

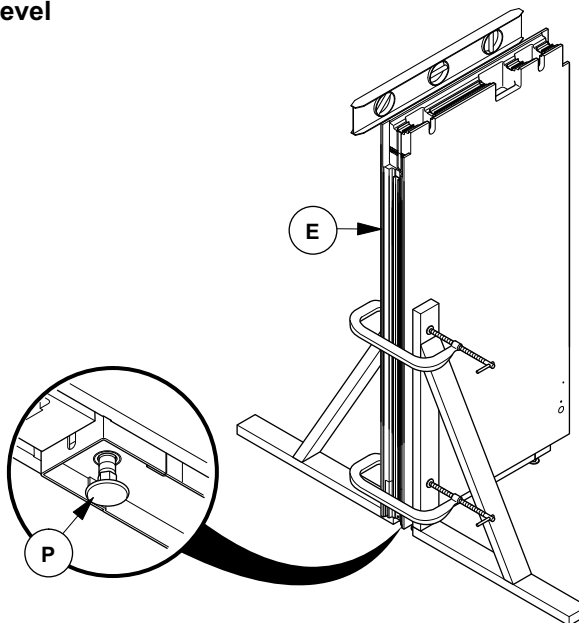
4 CIRCUIT WIRE DIAGRAM



2

Clamp verticals (E) and level

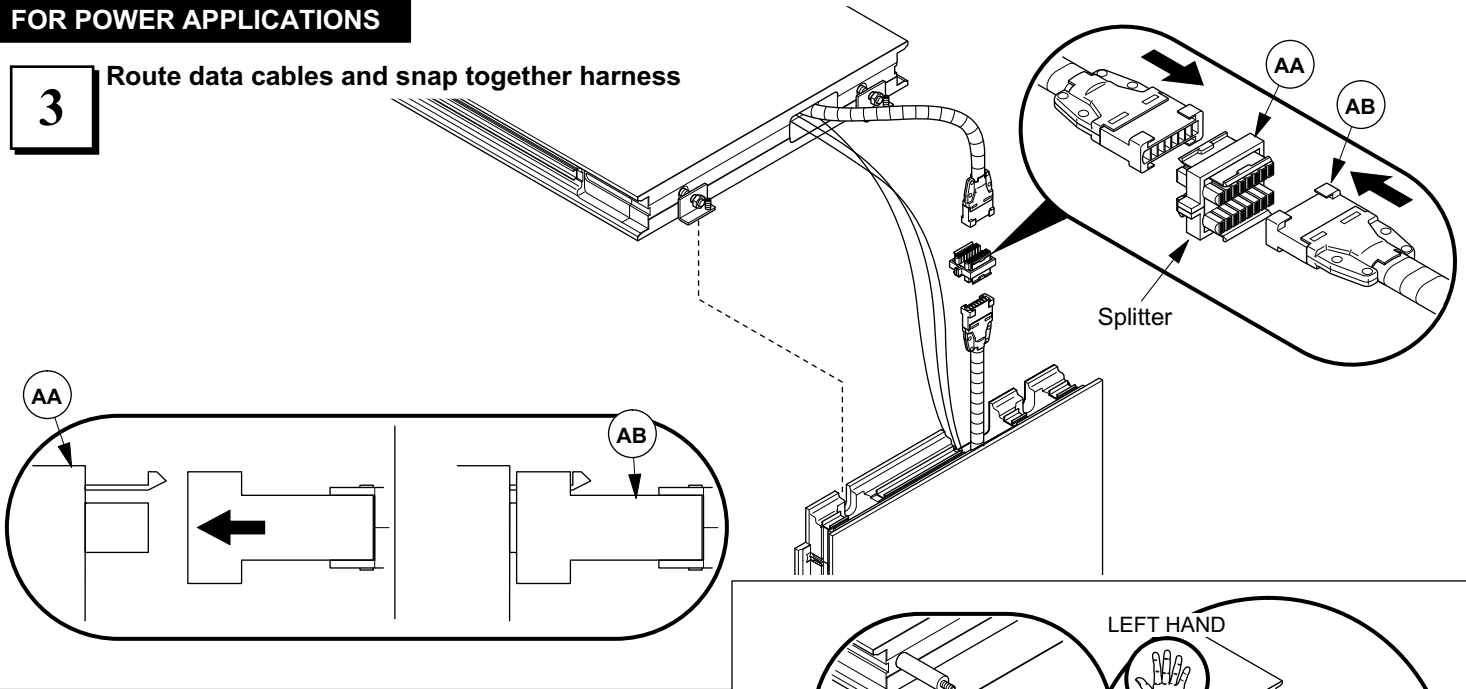
NOTE: Adjust glides (P) to level verticals (E) before installing horizontals (A).



CUSTOMER SERVICE PHONE: 1-800-426-8562

3

Route data cables and snap together harness

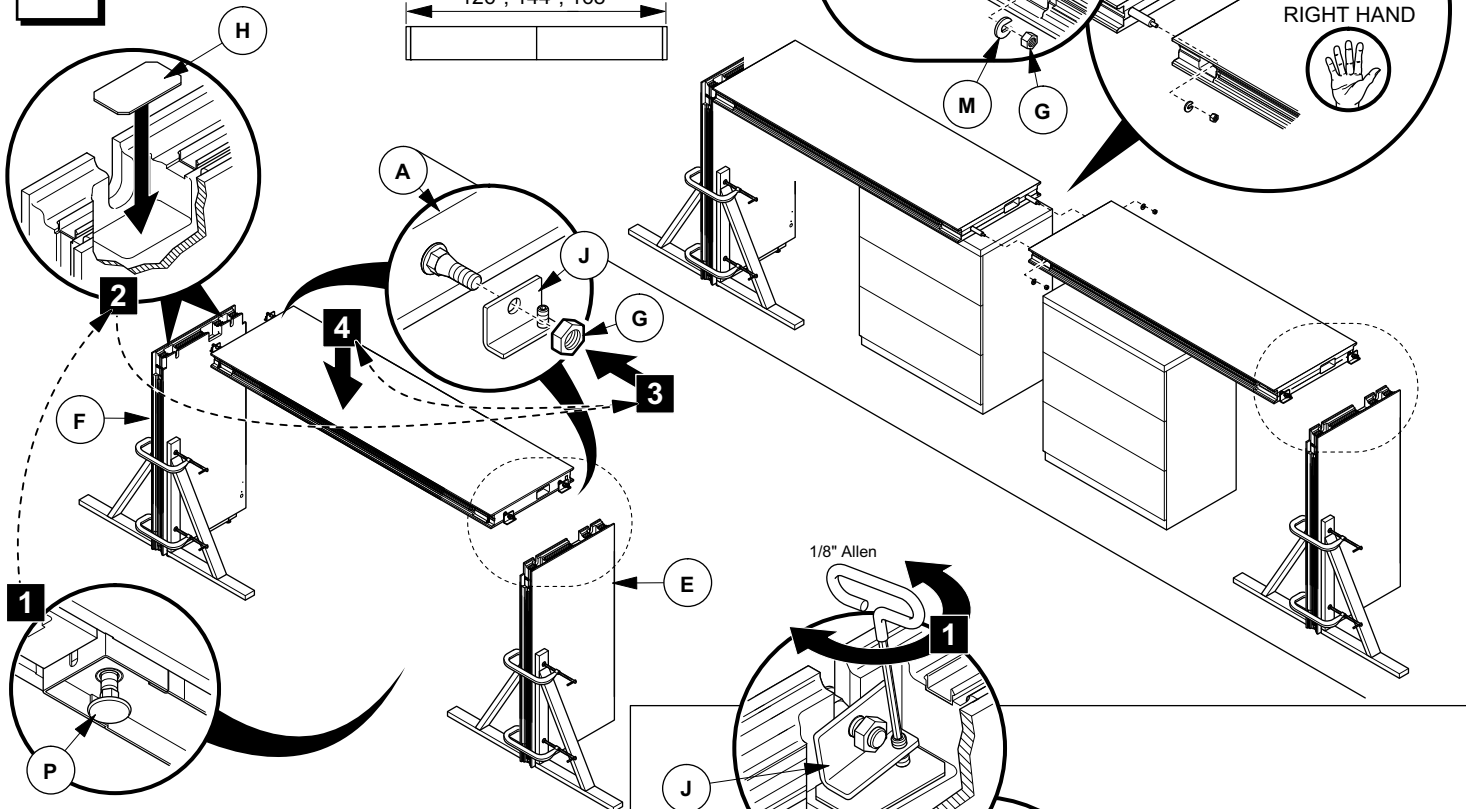


4a

Install horizontal (A)

FINISHED WIDTHS

126", 144", 168"

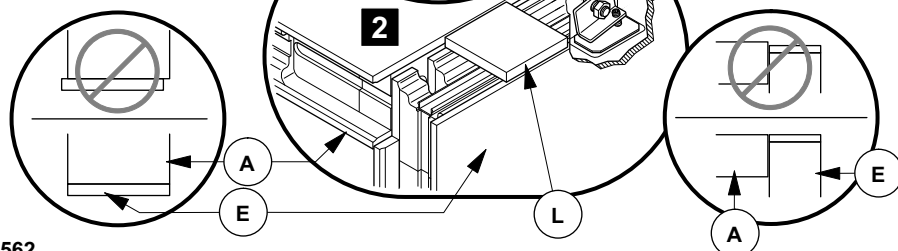


NOTE: Adjust glides (P) to level verticals (E) before installing horizontals (A).

4b

Adjust horizontal leveler(s) (J)

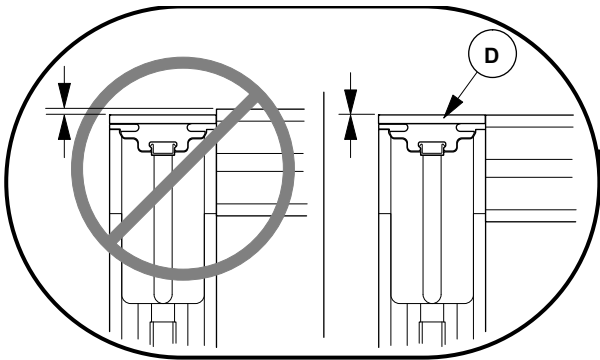
NOTE: Adjust horizontal levelers (J) until gage (L) is flush with horizontal (A).



5a

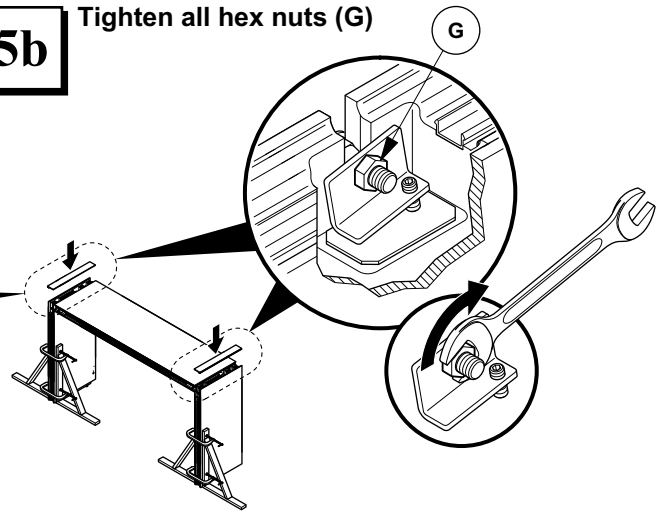
Install top trim (D) to check height

NOTE: Use Top Trim (D) to verify proper horizontal height, if not adjust horizontal leveler (J).



5b

Tighten all hex nuts (G)

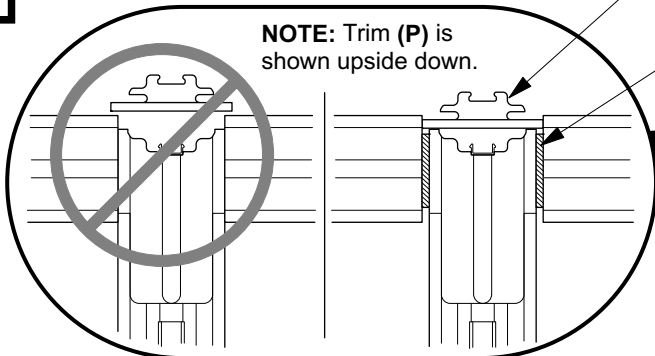


FOR CENTER VERTICALS ONLY

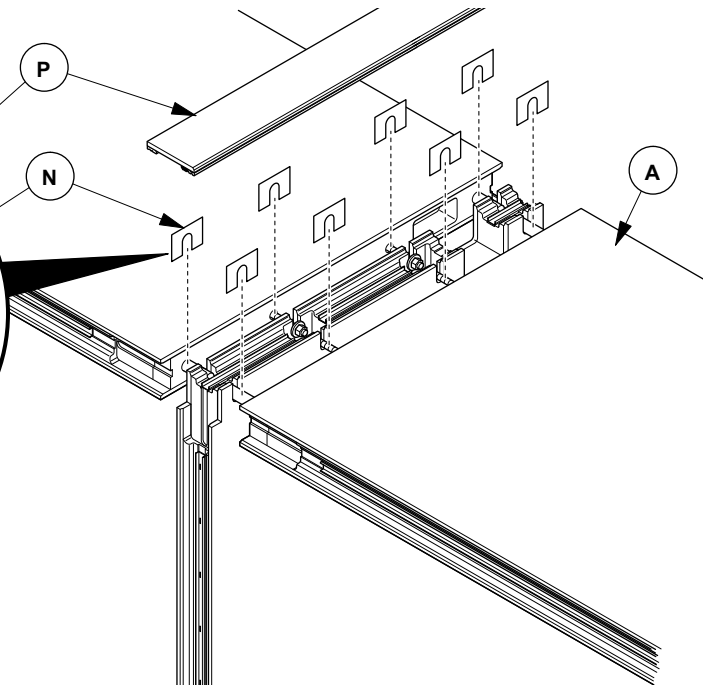
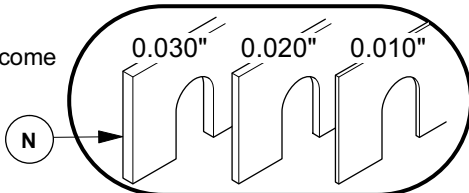
6

Shim (N) so trim (P) fits

NOTE: Trim (P) is shown upside down.



NOTE: Shims (N) come in 3 thicknesses.

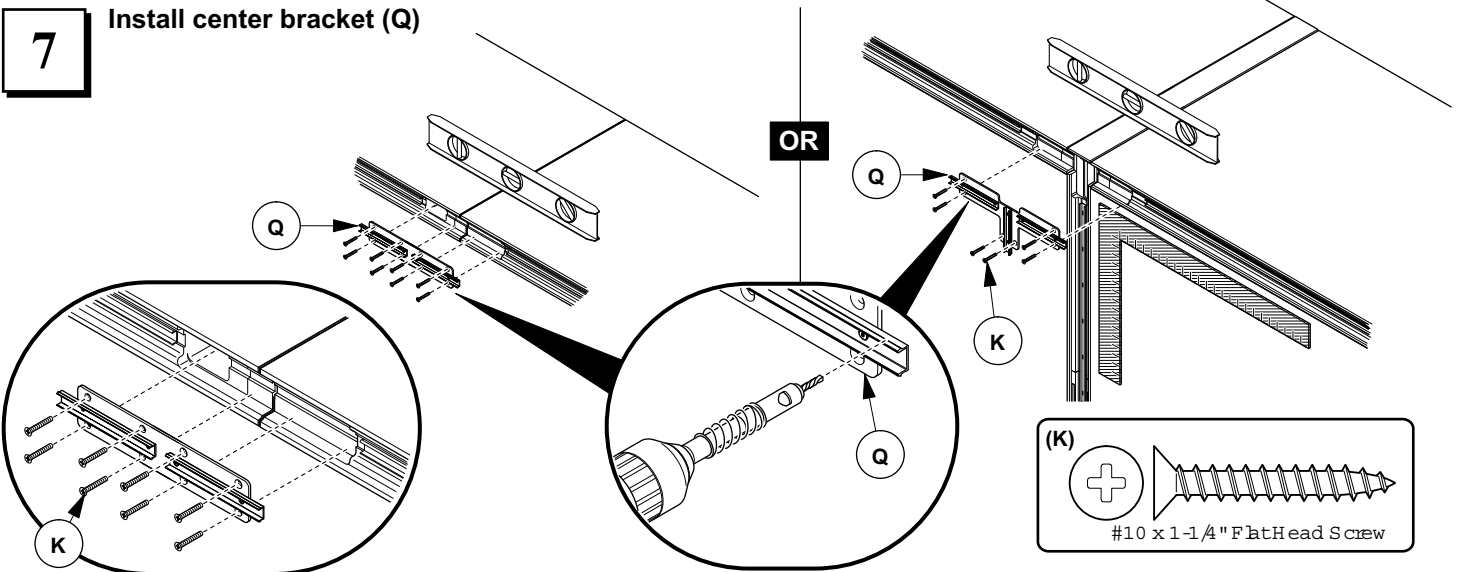


FOR CENTER VERTICALS ONLY

7

Install center bracket (Q)

OR

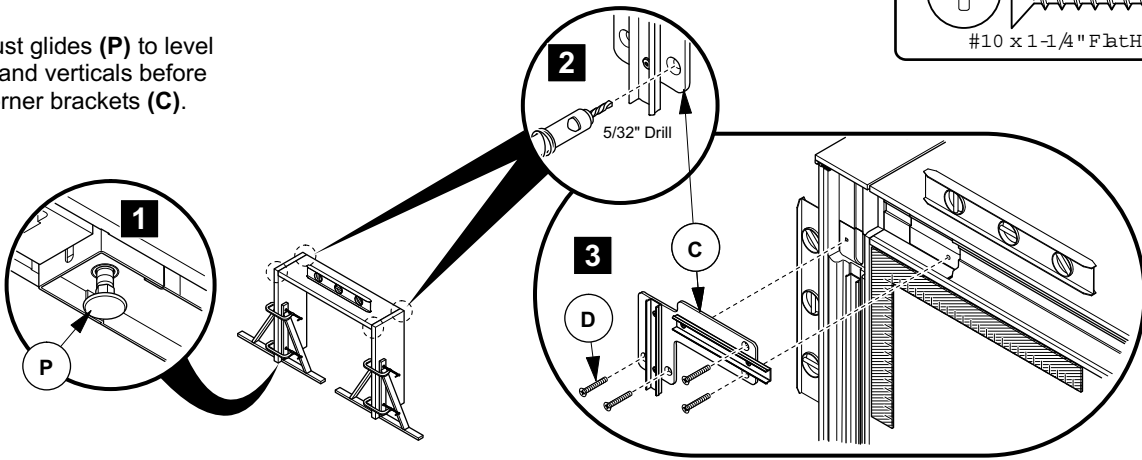
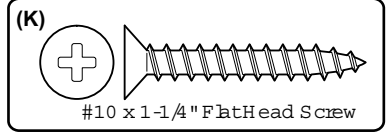


CUSTOMER SERVICE PHONE: 1-800-426-8562

8

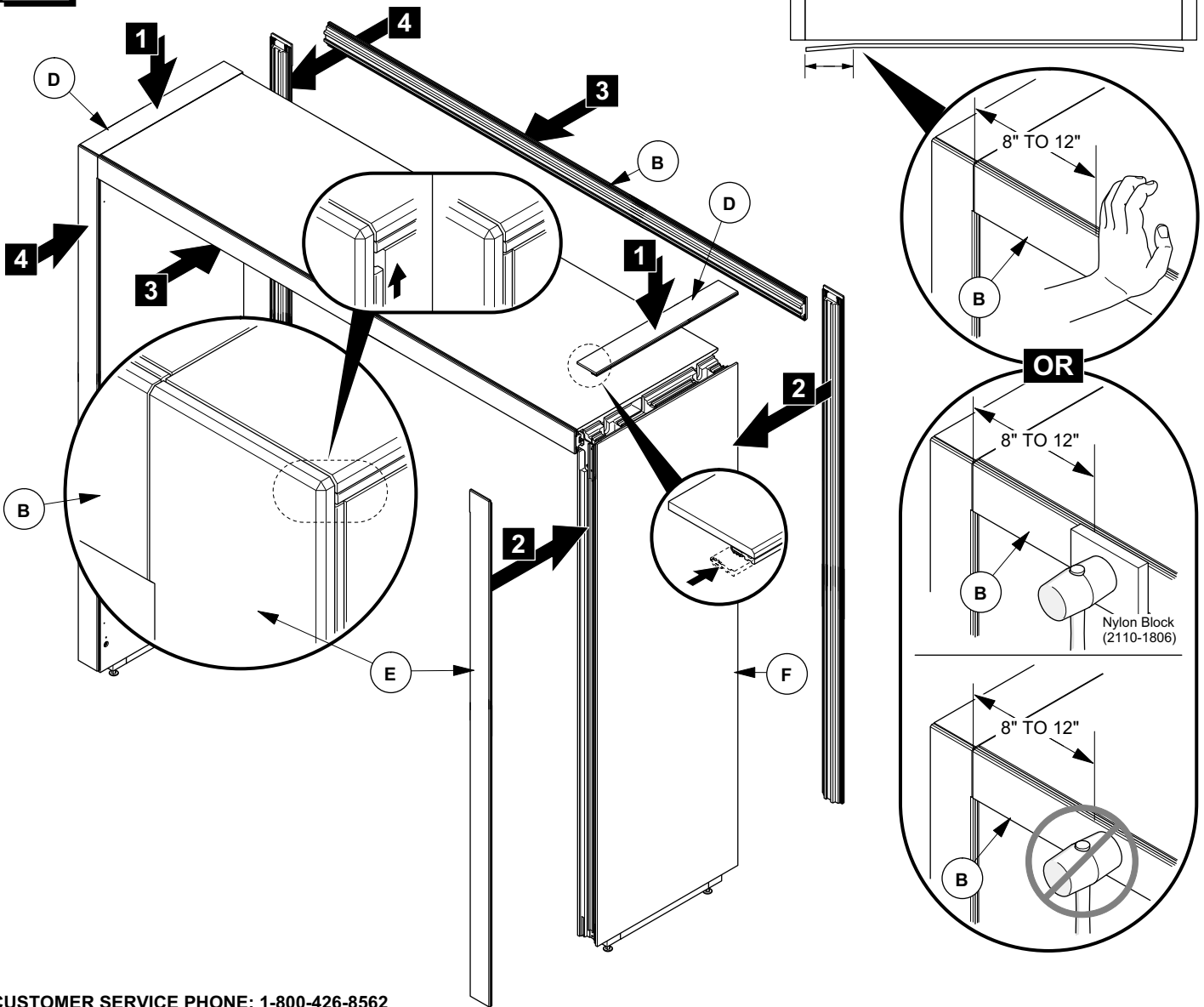
Install corner brackets (C)

NOTE: Adjust glides (P) to level horizontals and verticals before installing corner brackets (C).



9

Install trim

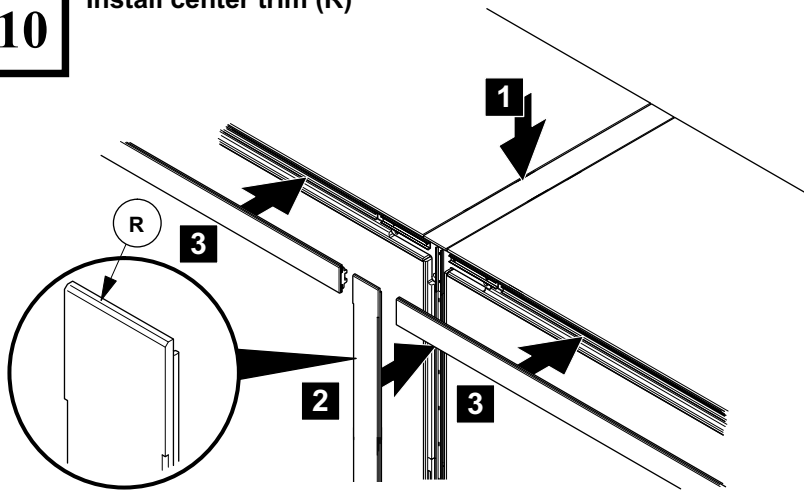


CUSTOMER SERVICE PHONE: 1-800-426-8562

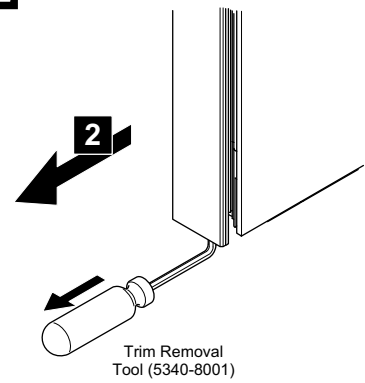
FOR CENTER VERTICALS ONLY

TRIM REMOVAL

10 Install center trim (R)

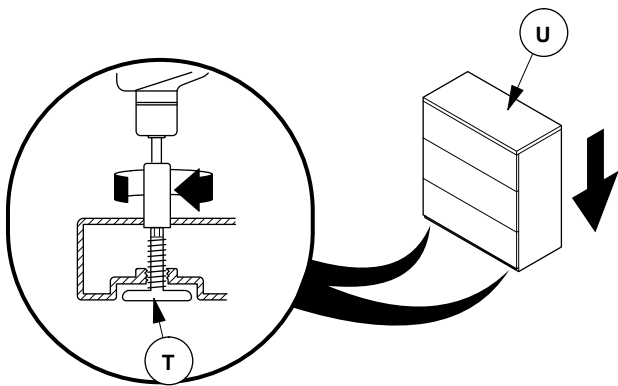


11

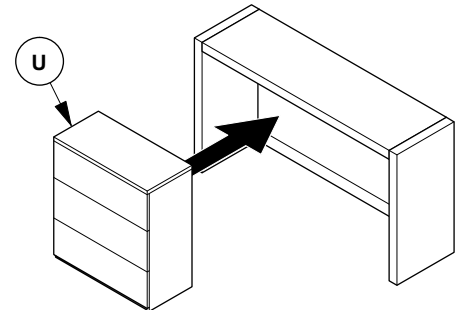


FILE INSTALLATION

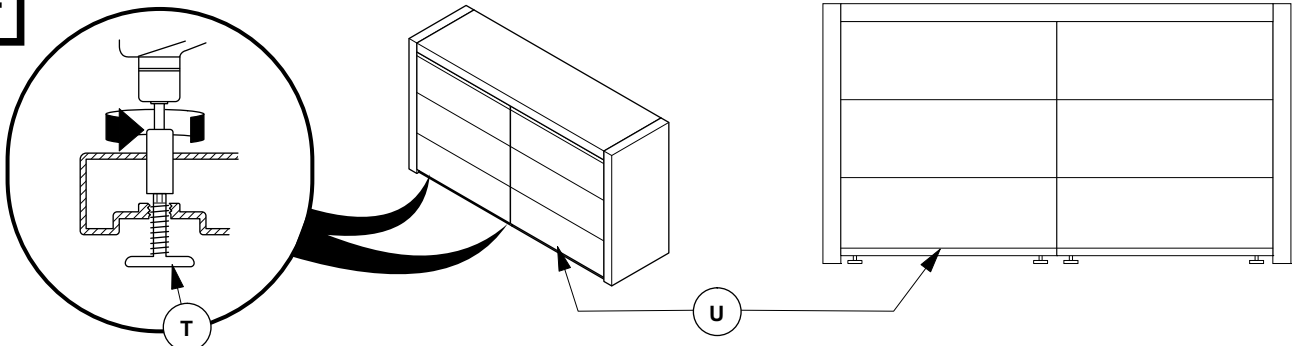
12 Adjust glides (T) down (if necessary)



13 Slide file (U) into place



14 Adjust glides (T) up



CUSTOMER SERVICE PHONE: 1-800-426-8562

HAWORTH®

E.C.O. No: 370-053

Page: 6 of 6

Part No: 7029-9798

Rev: A