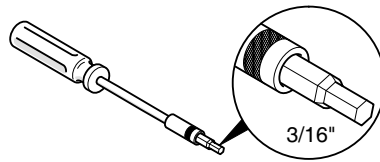
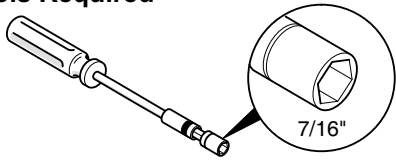
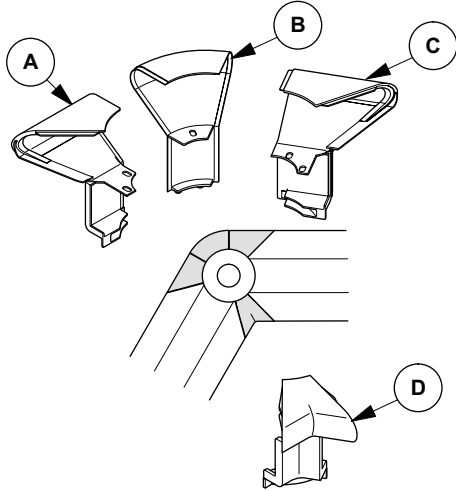


RACE®
120° & 135° Beam to Post
Installation Instructions

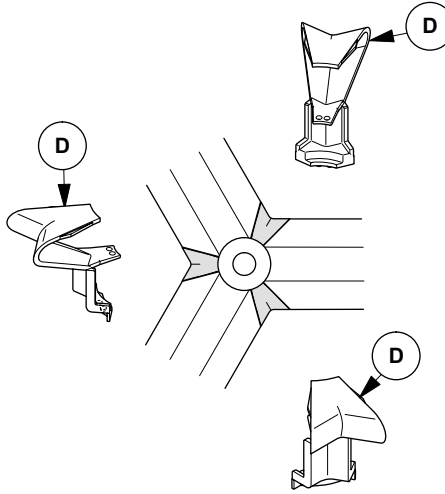
Tools Required



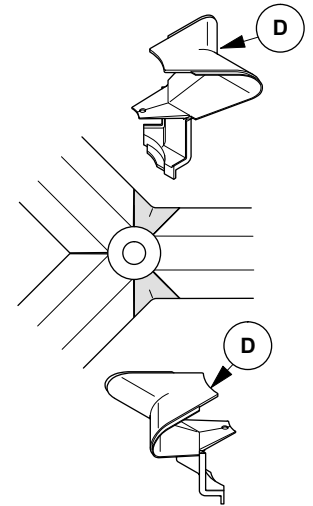
NOTE: Covers for 120° applications **do not** work with 135° applications.



FOR 120° & 135° APPLICATION

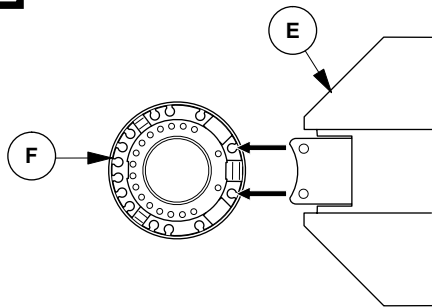


FOR 120° APPLICATION

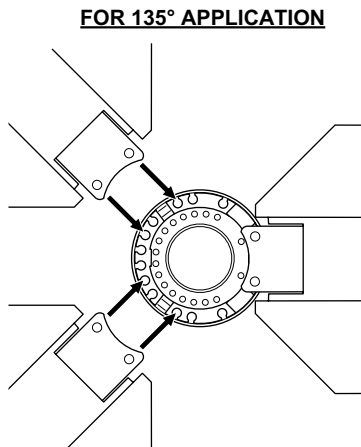
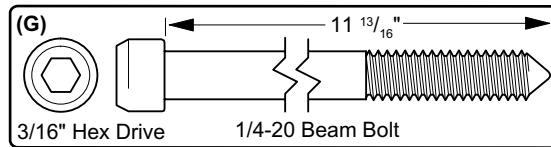


FOR 135° APPLICATION

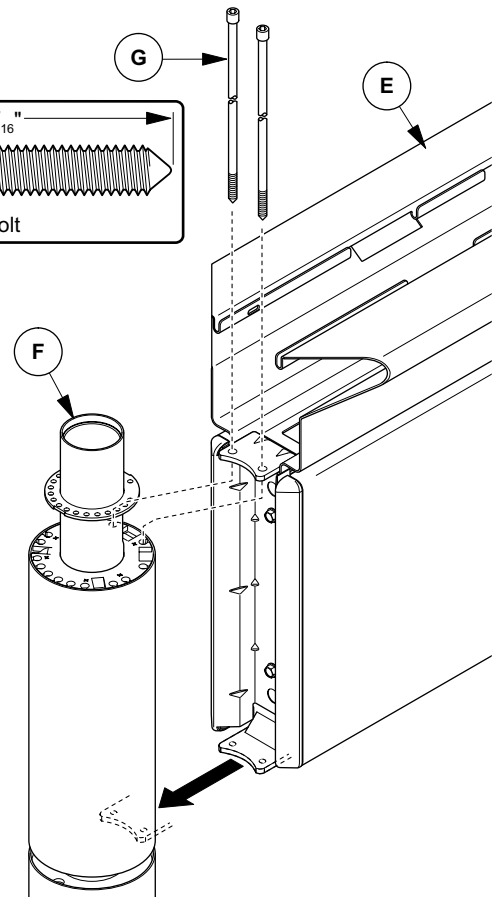
1 Install beam (E) to post (F)



FOR 120° APPLICATION



FOR 135° APPLICATION

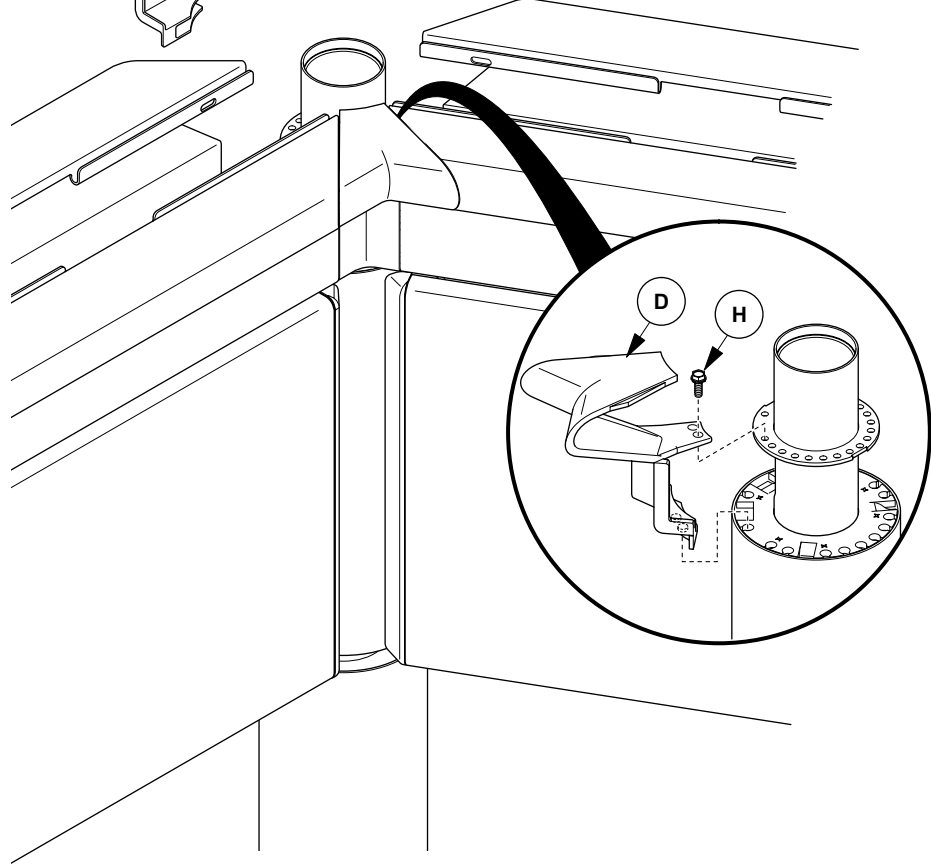
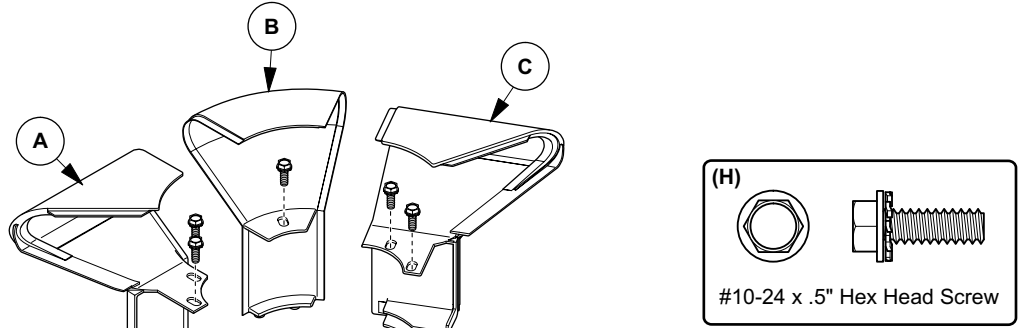


CUSTOMER SERVICE PHONE: 1-800-426-8562

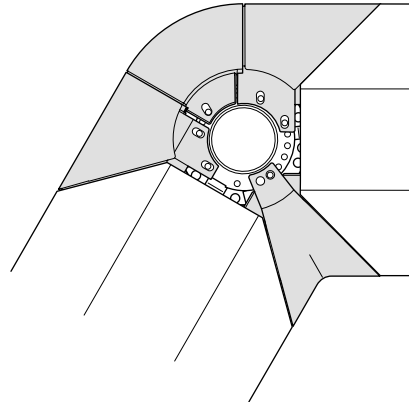
2

Install castings (A,B,C, & D)

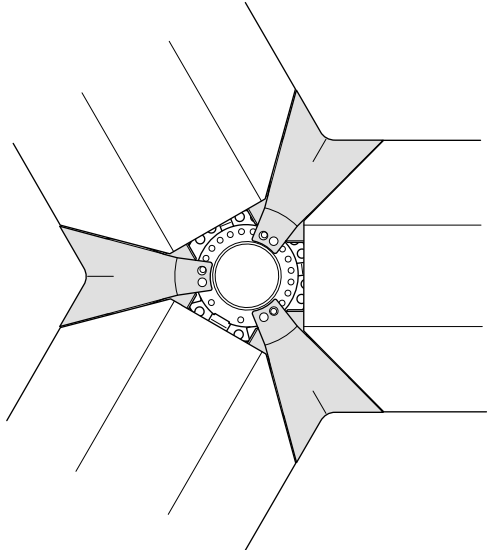
NOTE: Covers for 120° applications **do not** work with 135° applications.



FOR 120° & 135° APPLICATION



120° APPLICATIONS SHOWN



CUSTOMER SERVICE PHONE: 1-800-426-8562