

10166801 RACE INSTALLATION INSTRUCTIONS SH 1 OF 2

RCMP CONVERSION KIT – MIDPOINT

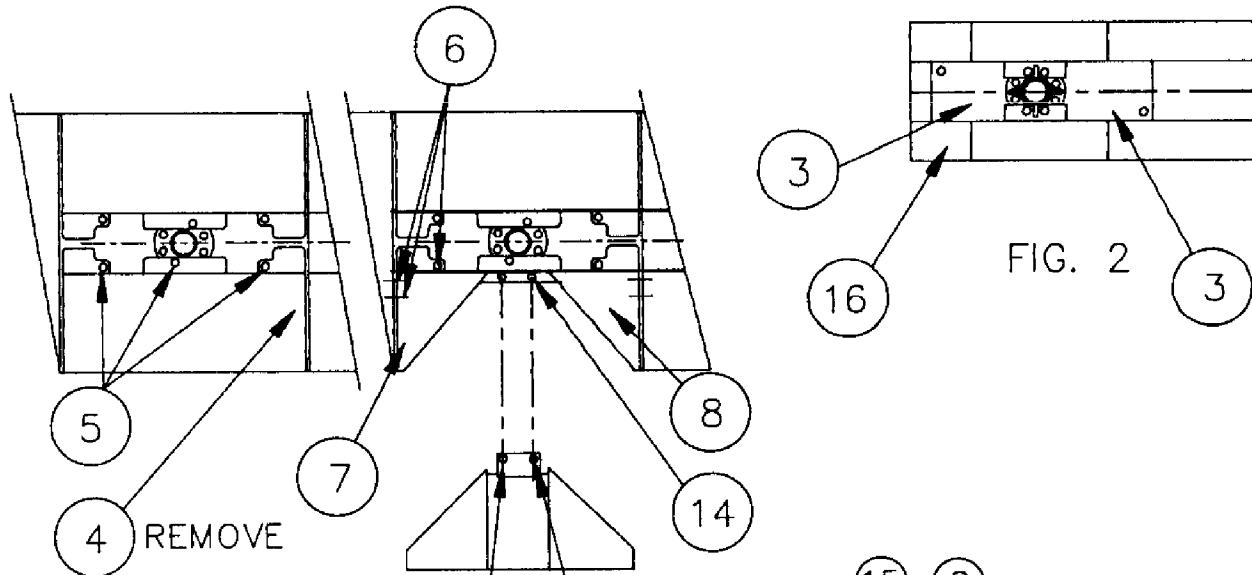


FIG. 1

FIG. 2

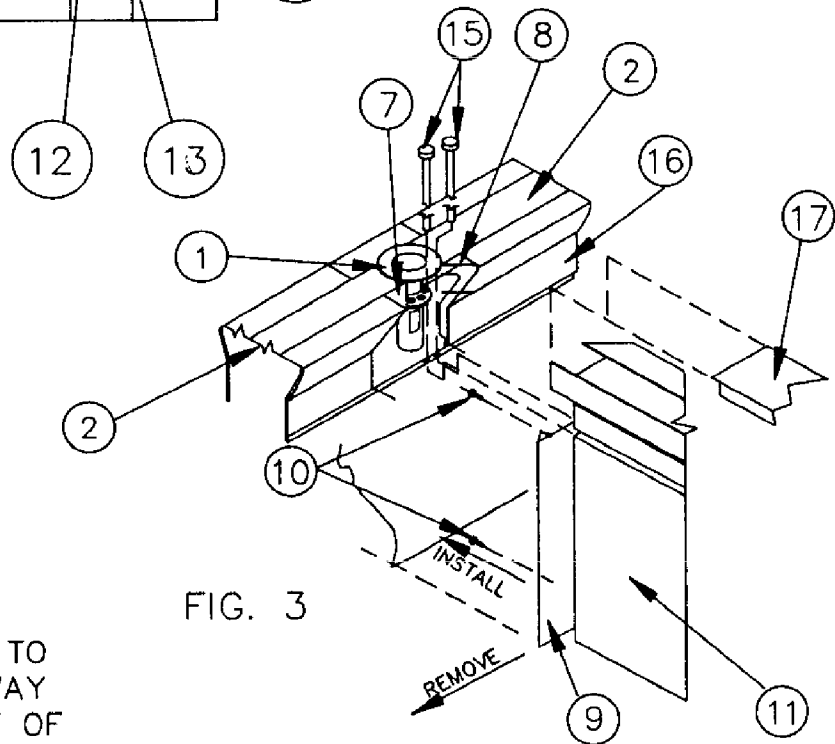


FIG. 3

NOTE
 RCMP KIT IS REQUIRED TO
 MOUNT A STEEL RACEWAY
 BEAM TO THE MIDPOINT OF
 AN ALUMINUM RACEWAY BEAM

10166801 RACE INSTALLATION INSTRUCTIONS SH 2 OF 2

RCMP CONVERSION KIT – MIDPOINT

- 1) REMOVE GROMMET #1, (2) RACEWAY COVERS #2 AND COVERS #3 FROM BEAM #16. REMOVE MIDPOINT COVER #4 BY REMOVING (3) SCREWS #5 (FIG. 1). COVER #4 IS NO LONGER REQUIRED. INSTALL CASTINGS, #7 AND #8 ONTO BEAM #16 USING (3) 10-24 SCREWS #6 TO MOUNT EACH CASTING (SEE FIG. 1).

- 2) REMOVE BEAM END TRIM #9 BY REMOVING (2) SCREWS #10 FROM BEAM #11 (BEAM TO BE INSTALLED). END TRIM IS NO LONGER REQUIRED.

- 3) REST END BRACKET #12 OF BEAM #11 ONTO MIDPOINT OF BEAM #16 ALIGNING HOLES #13 AND #14 (FIG. 1). DROP (2) BEAM MOUNTING BOLTS #15 THROUGH HOLES #13 AND #14 AND THREAD INTO LOWER HOLES OF END BRACKET #12 WHICH NOW EXTENDS UNDER BEAM #16.

- 4) TIGHTEN BOLTS #15 AND REINSTALL COVERS #2 AND #3 AND GROMMET #1 ON BEAM #16. INSTALL RACEWAY COVER #17 ONTO BEAM #11.