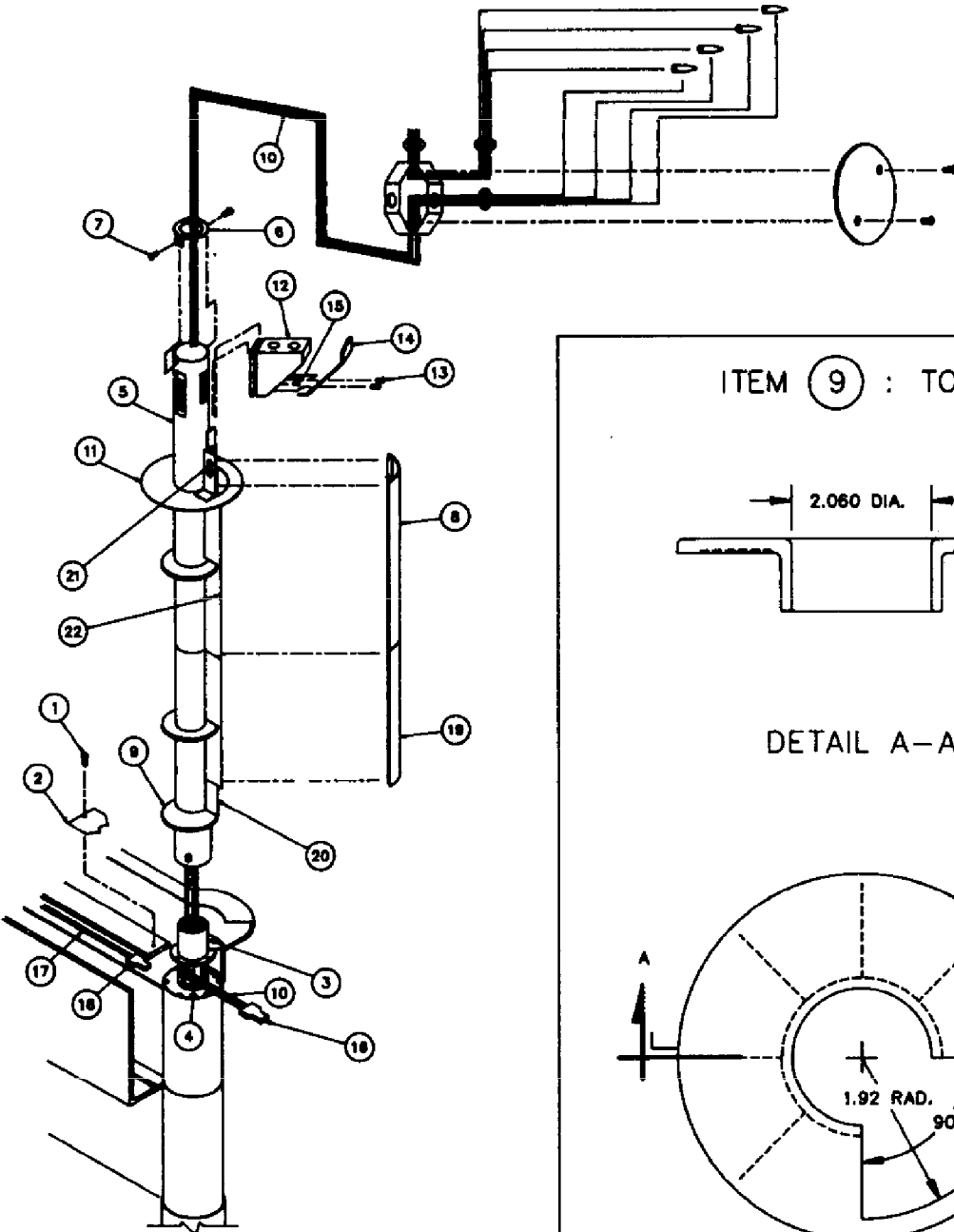
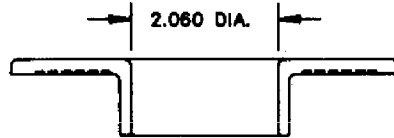


10169201 RACE INSTALLATION INSTRUCTIONS SH 1 OF 3

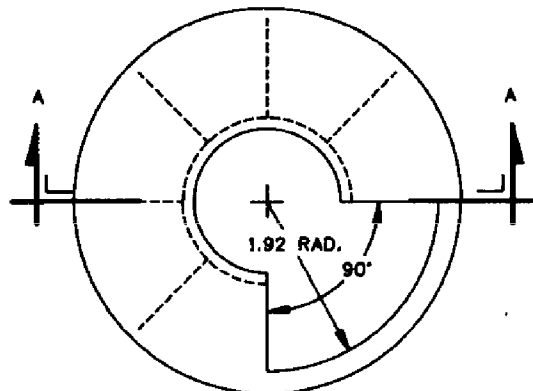
RECE POWER POLE INSTALLATION



ITEM (9) : TOP COVER



DETAIL A-A



RECE POWER POLE INSTALLATION

ASSUME: BEAM IS INSTALLED WITH ALL HARNESSSES AND RECEPTACLE ASSEMBLIES IN PLACE, PROPERLY CONNECTED, AND COMMUNICATION RACEWAY COVERS HAVE BEEN REMOVED. ON THIS CENTER POST, THE 2" PLASTIC PLUG HAS BEEN REMOVED, BUT THE TOP COVER DISK IS IN PLACE. THE CEILING TILES HAVE BEEN REMOVED FOR ACCESS.

NOTE: ALL WIRING OF THE INFEED HARNESS(ES) MUST BE DONE BY A QUALIFIED ELECTRICAL CONTRACTOR OR ELECTRICIAN.

- 1) REMOVE SCREW, #1 AND RACEWAY COVER, #2 ON EITHER SIDE OF RPOST OR BEAM MIDPOINT, #3 SELECTED FOR THE POWER POLE PROVIDING ACCESS TO THE HARNESSSES AND THE CENTER POST POWER ACCESS HOLE, #4 IN THE LOWER POWER RACEWAY.

NOTE: IF POWER POLE, #5 NEEDS TO BE SHORTENED, REMOVE ELECTRICAL MOUNTING BRACKET, #6 BY REMOVING (2) SCREWS, #7. CUT TO FIT. DRILL (2) 9/64" HOLES IN THE TOP OF THE POWER POLE, #5 USING THE ELECTRICAL MOUNTING BRACKET, #6 AS A TEMPLATE. FOR COMMUNICATION QUADRANT(S). CUT UPPER SEGMENTS, #8 SEPERATELY.

- 2) REMOVE THE TOP COVER DISK, #9 AND PUSH ONTO POWER POLE BOTTOM, #5. IF POWER POLE HAS COMMUNICATION QUADRANT(S), MARK OUTLINE OF QUADRANT SEGMENT(S) ON THE TOP COVER DISK, #9. CAREFULLY CUT TOP COVER DISK, #9 TO PROVIDE COMMUNICATION WIRING ACCESS.

- 3) REMOVE (1) (MALE) ANDERSON MODULAR CONNECTOR FROM ONE END OF THE INFEED HARNESSSES, #10. FISH THE CUT ENDS OF HARNESS UP THROUGH THE CENTER POST POWER ACCESS HOLE, #4 AND THEN THROUGH THE POWER POLE, #5.

RECE POWER POLE INSTALLATION

- 4.) KEEP TENSION ON THE WIRES EXTENDING FROM THE TOP OF POWER POLE, #5. SLIDE POWER POLE, #5 OVER CENTER POST, #3 AND SECURE SET SCREW AFTER PROPER ALIGNMENT.
- 5.) USING THE CEILING FLANGE AS A TEMPLATE, CUT THE CEILING TILE TO CLEAR THE POWER POLE. POSITION UPPER COMMUNICATIONS POLE SEGMENTS, #8 ON THE POWER POLE AS REQUIRED. SLIDE CEILING FLANGE, #11 ONTO POWER POLE AND SECURE BY DRILLING 9/64" HOLES THRU SLOT #21 INTO COMMUNICATION CHANNEL #22 AND INSTALLING #10 SHEET METAL SCREWS (NOT SUPPLIED). INSTALL CEILING TILE.
- 6.) PREPARE ELECTRICAL MOUNTING BRACKET, #6 AND CEILING ENTRY COMMUNICATIONS JUNCTION BOX, #12 FOR INSTALLATION BY MOUNTING NECESSARY FITTINGS, BOXES, AND CONDUIT.
- 7.) FISH WIRES THROUGH ELECTRICAL MOUNTING BRACKET, #6 AND MOUNT TO POWER POLE, #5 WITH SCREW, #7. MOUNT CEILING ENTRY COMMUNICATION JUNCTION BOX, #12 TO EACH QUADRANT BY SLIDING THE MOUNTING TABS FULLY INTO THE QUADRANT TOP AND SECURE SCREWS, #15.
- 8.) CONNECT INFEED HARNESSSES, #10 AND BEAM HARNESSSES, #17 BY PLUGGING THE MALE BEAM HARNESS CONNECTORS, #18 INTO THE FEMALE INFEED HARNESS CONNECTORS, #16. TUCK HARNESS CONNECTIONS INTO RACEWAY. REPLACE COVERS, #2 AND SECURE WITH SCREWS, #1
- 9.) CONNECT INFEED HARNESSSES, #10 TO BUILDING WIRING BY APPROVED METHODS AND CLOSE BOX AS REQUIRED.
- 10.) INSTALL COMMUNICATION WIRING. SNAP IN COMMUNICATIONS RACEWAY COVER ONTO BEAM AND LOWER COMMUNICATION POLE EXTENSION, #20 ONTO DISC, #9. INSTALL REMAINING COMMUNICATION POLE SEGMENT, #19. INSTALL REMAINING CEILING TILES. SECURE COVER, #14 WITH SCREWS, #13 TO CEILING ENTRY COMMUNICATION JUNCTION BOX, #12.