

CHICAGO RACE FLOOR ACCESS INSTALLATION
Installation Instructions

Assume: Beam is installed with all electrical wiring and receptacle assemblies in place, properly connected, and communication raceway covers have been removed.

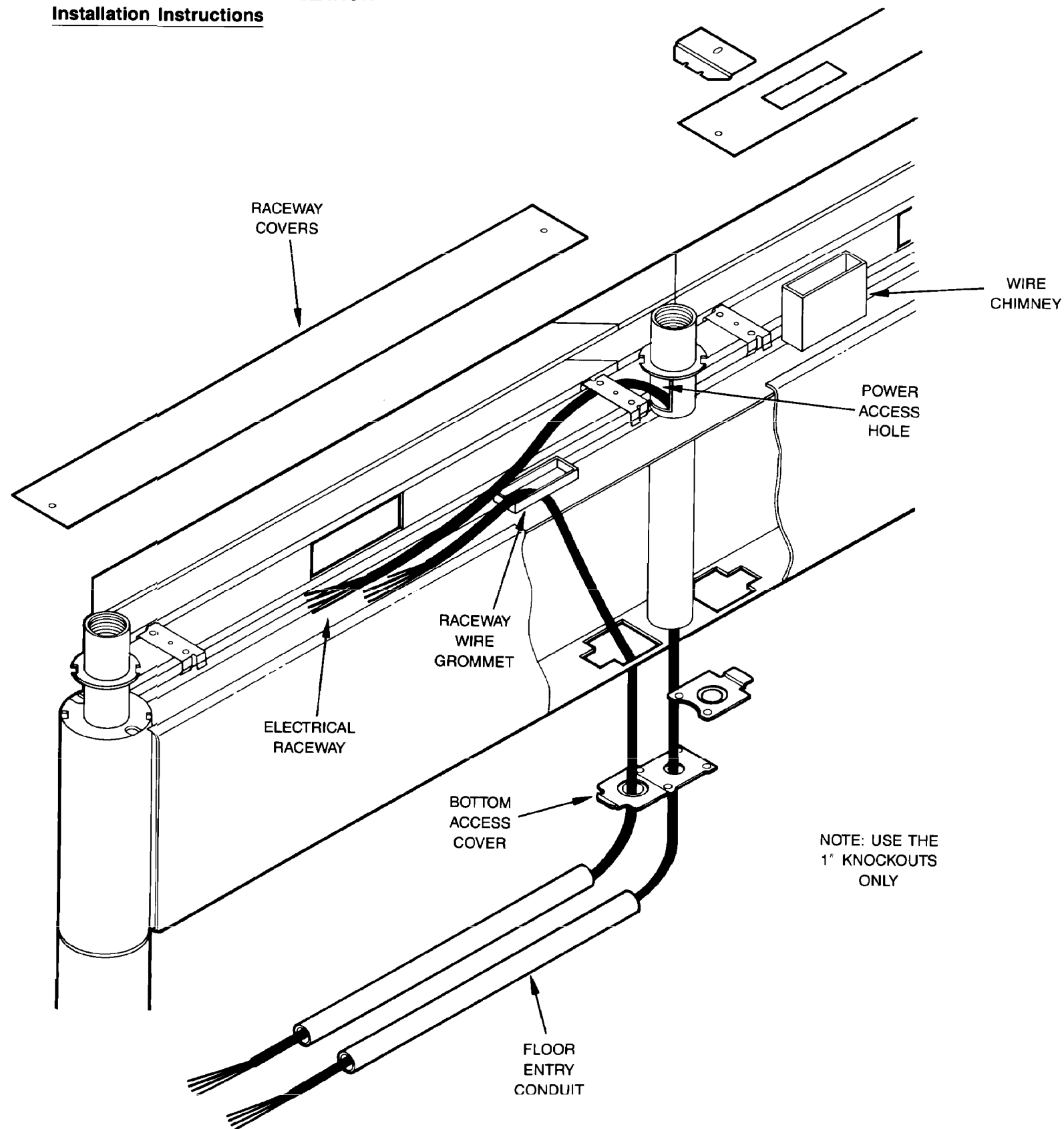
NOTE: To be field wired under authority of permit.

1. Remove screws and raceway covers on either side of beam midpoint, providing access to the power conductors and the center post power access hole in the lower raceway.
2. Remove screws and bottom access covers.
3. Remove the required knockouts* from the bottom access cover, and fasten the floor entry conduit to the knockout holes.
4. Remount the conduit/bottom access cover assembly to the bottom of the beam, securing with screws. Align the conduits with power under the electrical raceway wire grommet communication under the communications raceway wire chimney and additional power in the center, under the center post.
5. Connect all the floor entry conduits to their respective floor box or monument (furnished by others).
6. Fish the power conductors through the electrical raceway or the center post power access hole through the conduit into the respective floor box or monument.
7. Connect power conductors to the building wiring by approved methods and close box or monument as required.
8. Install raceway covers, securing with screws.
9. Install communication wiring through floor box or monument, floor entry conduit, and the communications raceway wire chimney, into the communications raceway.
10. Install the communications raceway covers.

*NOTE: Use the 1" knockouts only.

**NOTE: CONDUCTORS
NOT SUPPLIED**

**NOTE: USE THE
1" KNOCKOUTS
ONLY**



CUSTOMER SERVICE PHONE: 1-800-426-8562

Part No: **7021-6652**

ECO No: **220-152**

Page: **1 OF 1**

Rev: **A**

HAWORTH