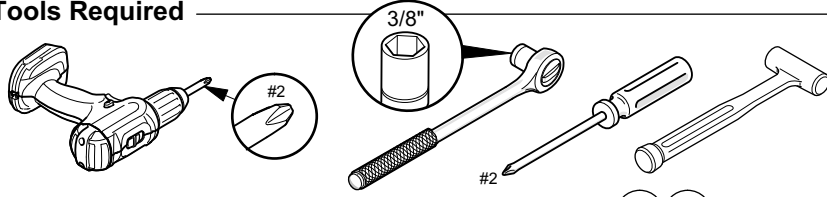
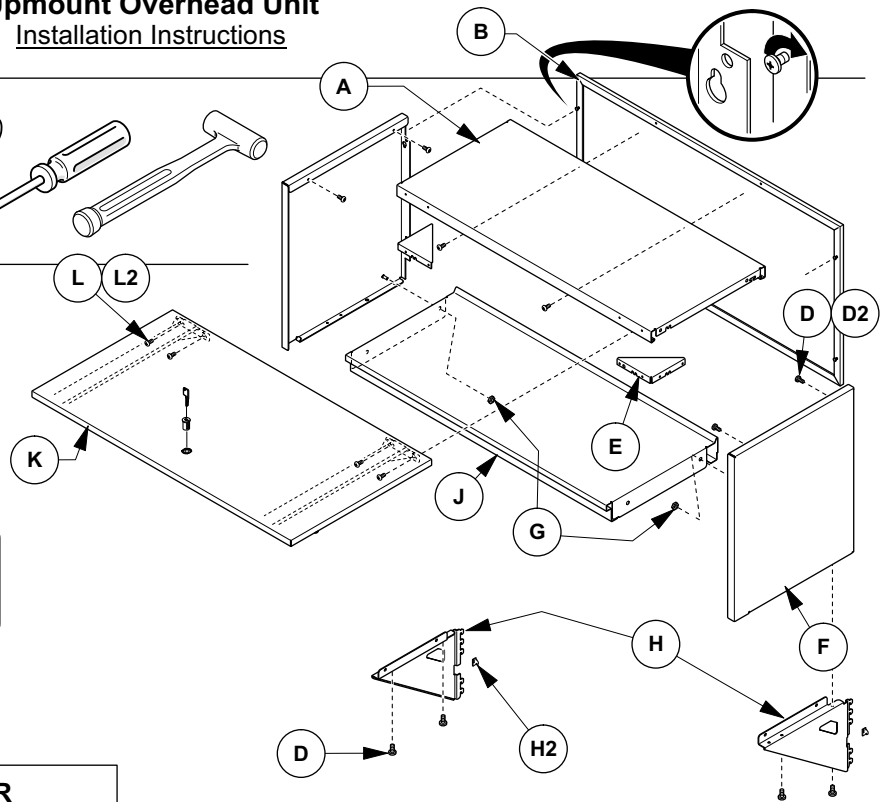
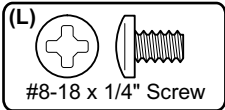
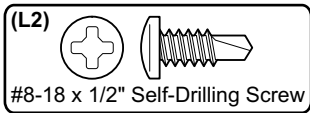
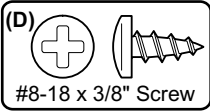
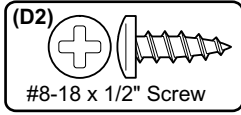
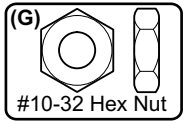


UNIGROUP TOO® Upmount Overhead Unit Installation Instructions

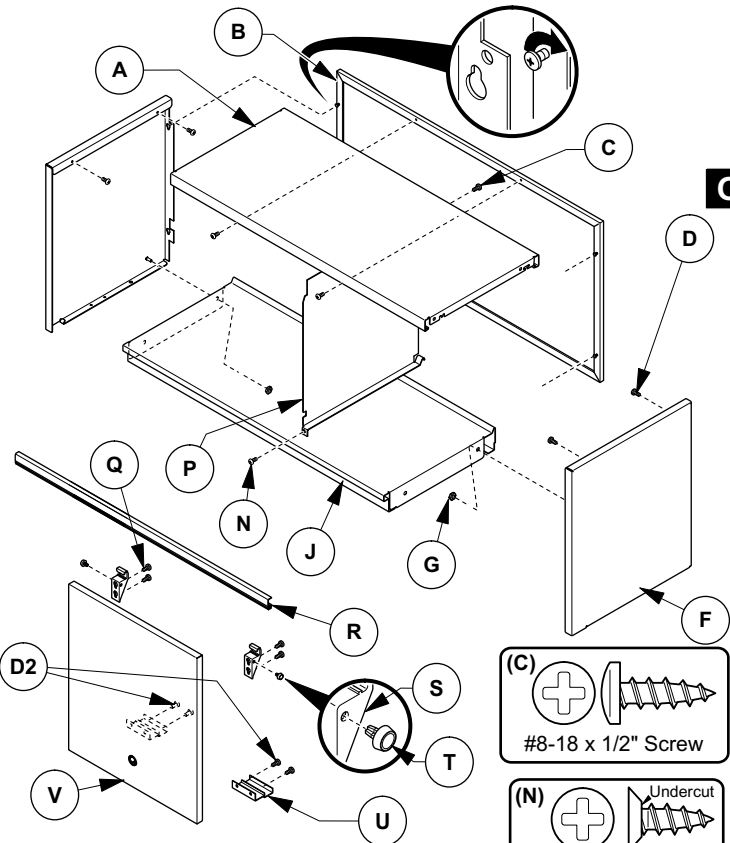
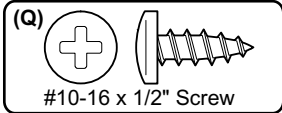
Tools Required



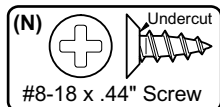
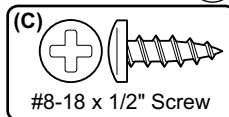
OVERHEAD STORAGE - FLIPPER DOOR



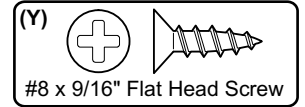
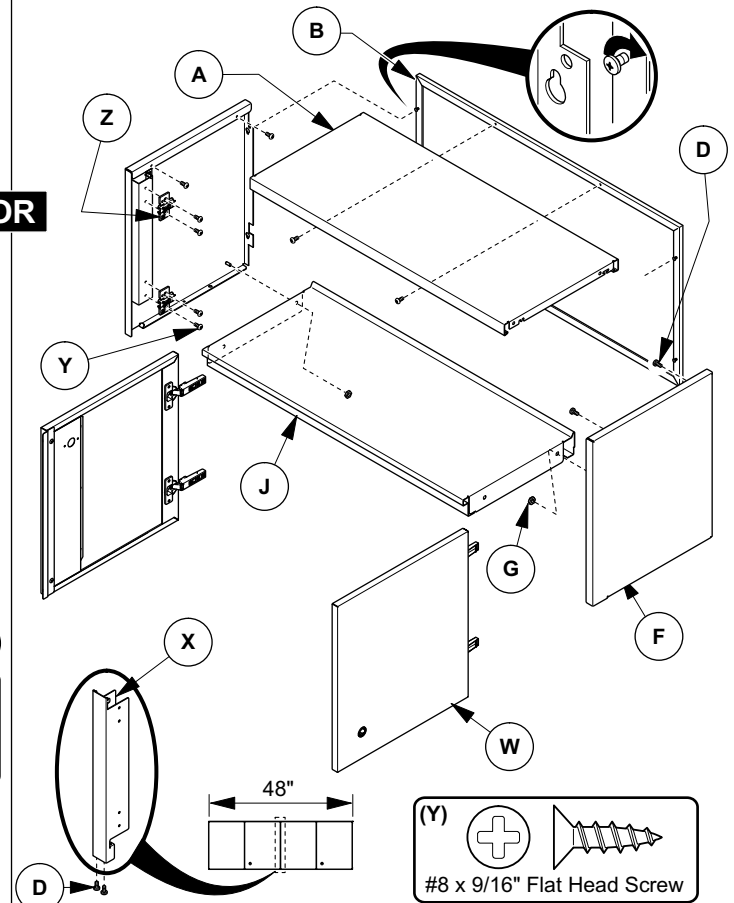
OVERHEAD STORAGE- SLIDING DOOR



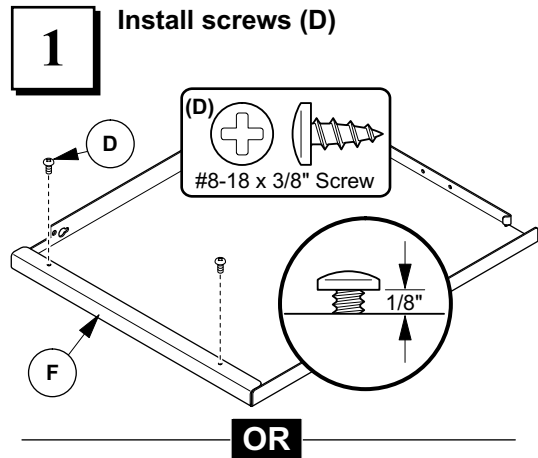
CUSTOMER SERVICE PHONE: 1-800-426-8562



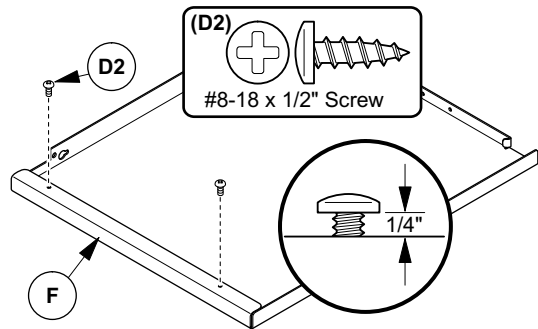
OVERHEAD STORAGE- SWING DOOR



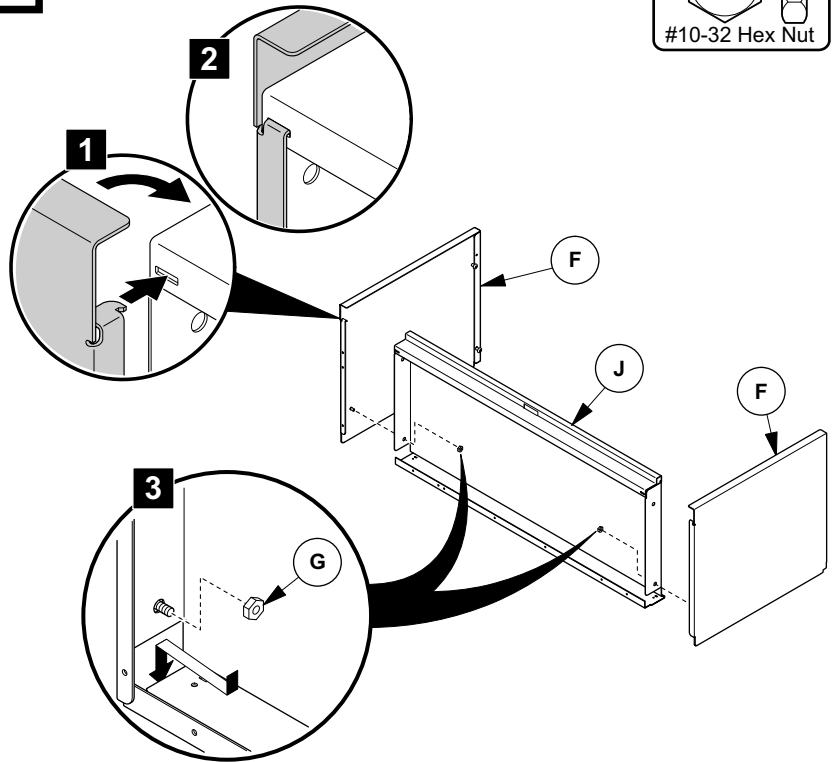
FOR OVERHEAD STORAGE



FOR SLOW CLOSE HINGE SUPPORT BRACKETS (E)

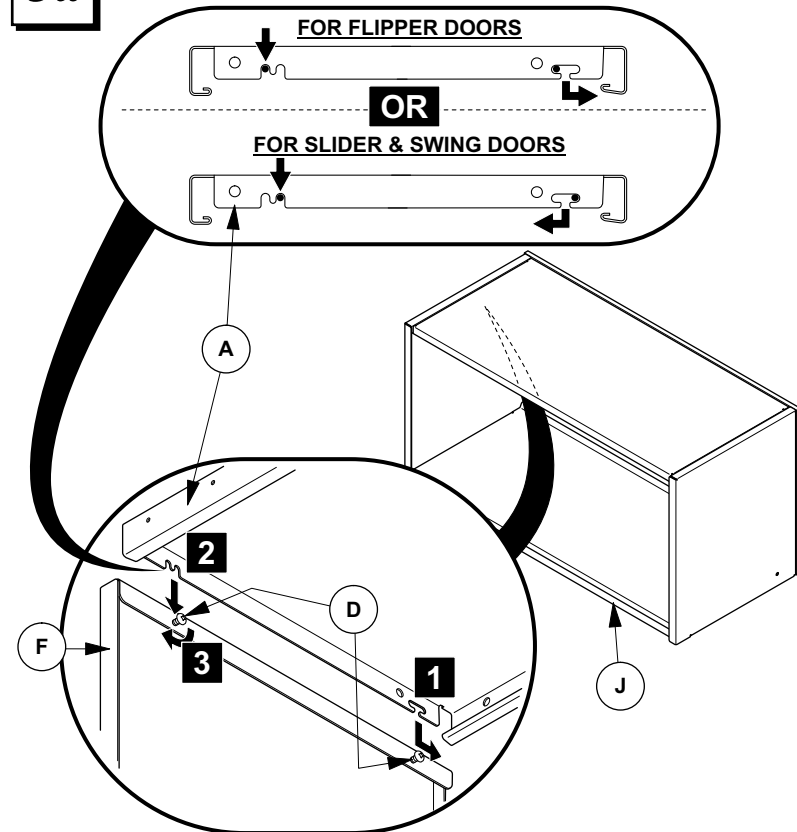


2 Install end panels (F) as shown



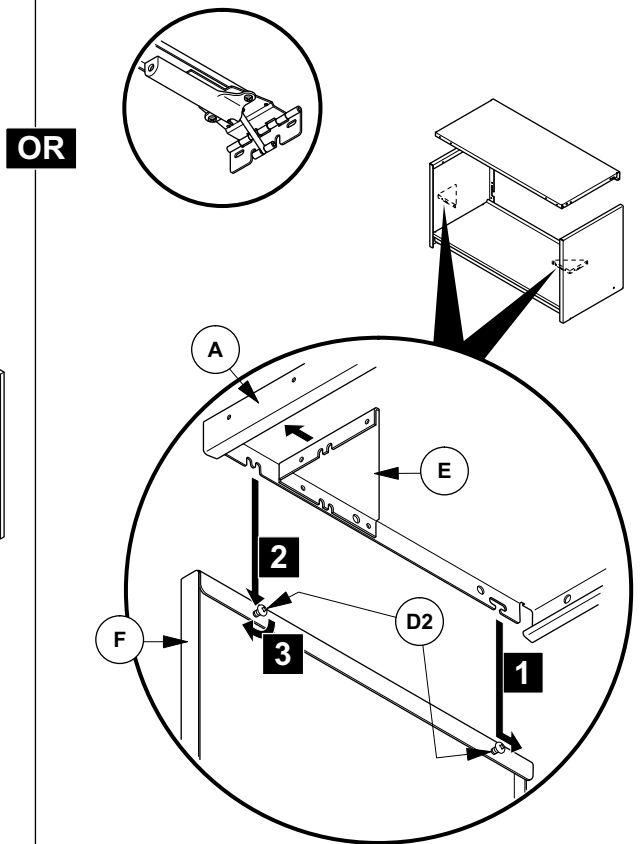
FOR ALL DOORS

3a Install top (A) and tighten screws (D OR D2)



FOR SLOW CLOSE HINGE

3b Install support brackets (E) with top (A)



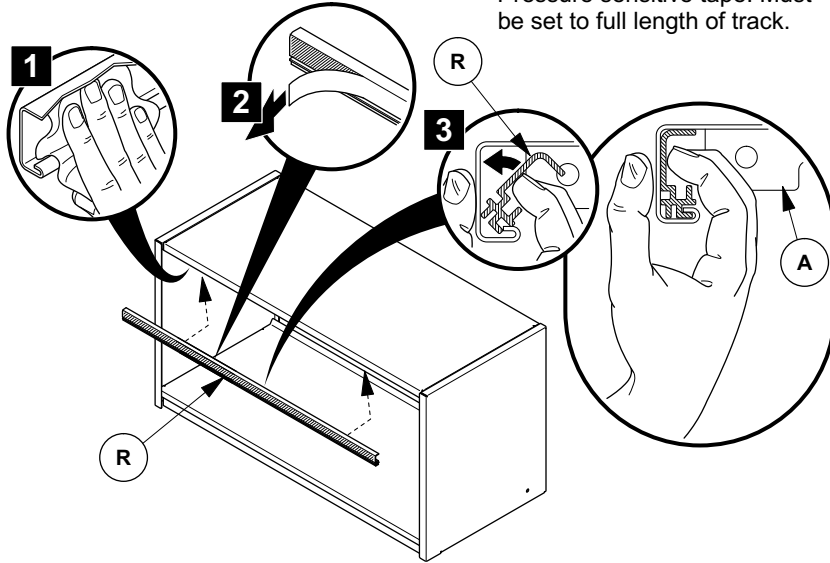
CUSTOMER SERVICE PHONE: 1-800-426-8562

FOR SLIDER DOOR INSTALLATION

4 Install plastic track (R)

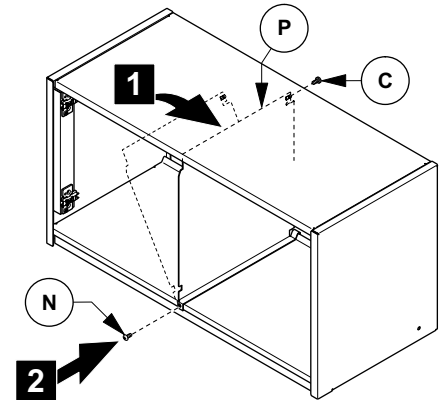
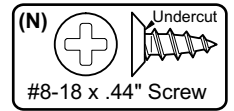
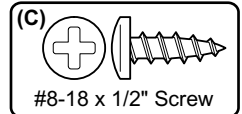
NOTE: Wipe back of top with isopropyl alcohol.

NOTE: Only one chance to locate track (R) correctly. Pressure sensitive tape. Must be set to full length of track.

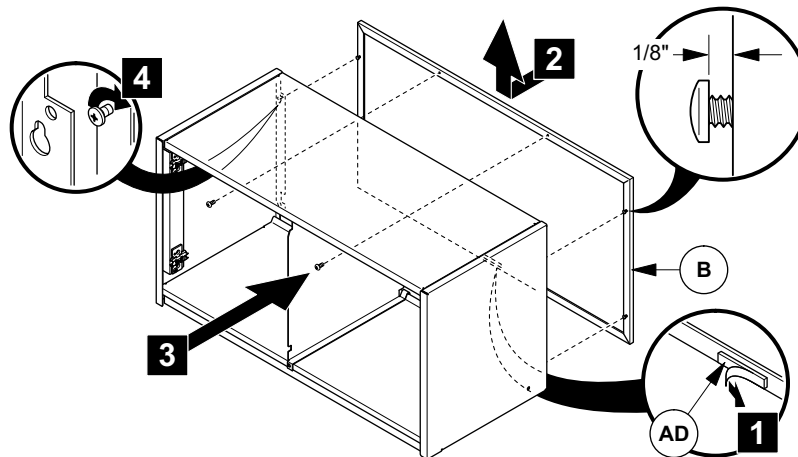


FOR DIVIDER INSTALLATION

5 Install divider (P)



6 Install back (B)

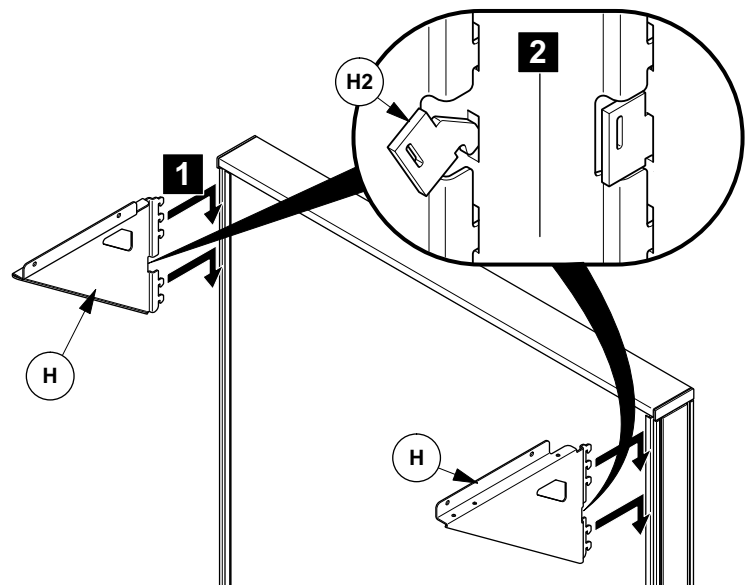


FOR BRACKET INSTALLATION

1 Install brackets (H)

NOTE: Rotate both anti-dislodgment clips (H2) making sure clips are engaged in slots to prevent accidental removal of unit.

NOTE: When installing OSU/Shelf to wall track make sure anti-dislodgment clips (H2) will not interfere with mounting screws of the wall track.



CUSTOMER SERVICE PHONE: 1-800-426-8562

HAWORTH

E.C.O. No: 244-385

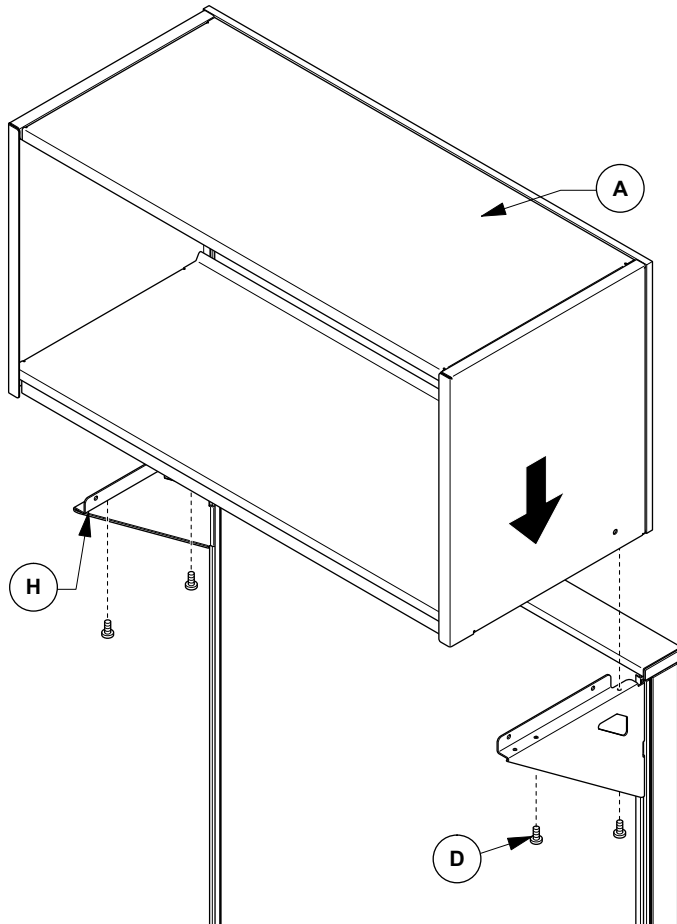
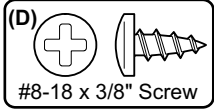
Page: 3 of 6

Part No: 7021-9458

Rev: 1

2

Install overhead (A) and secure

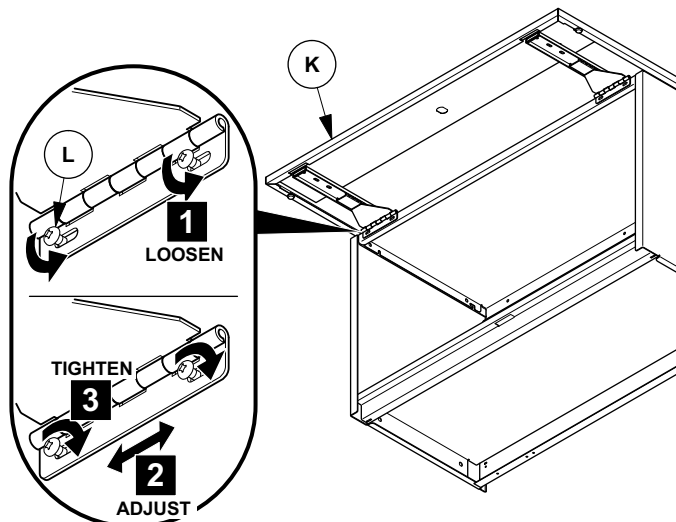
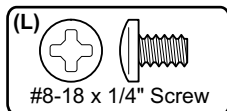


FOR STANDARD HINGE

3a

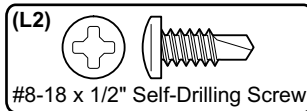
Install and adjust door (K) as needed

NOTE: If door (K) is misaligned from RIGHT to LEFT loosen screws (L) or (L2) and move the doors in the direction necessary for alignment.

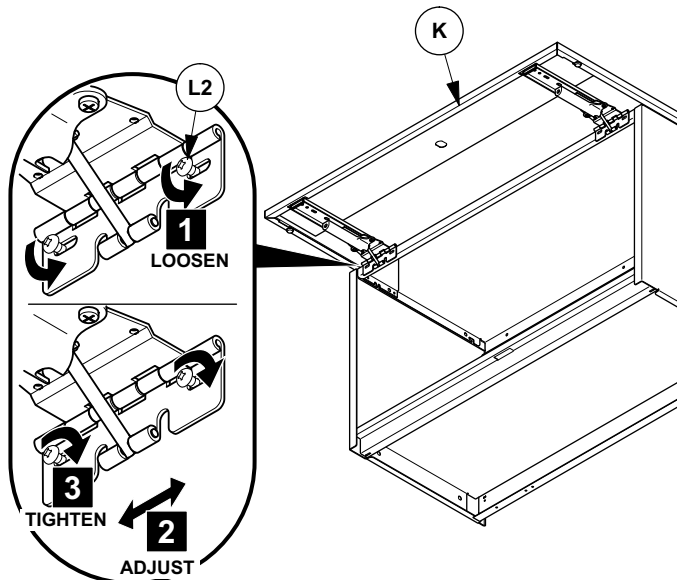


FOR SLOW CLOSE HINGE

3b



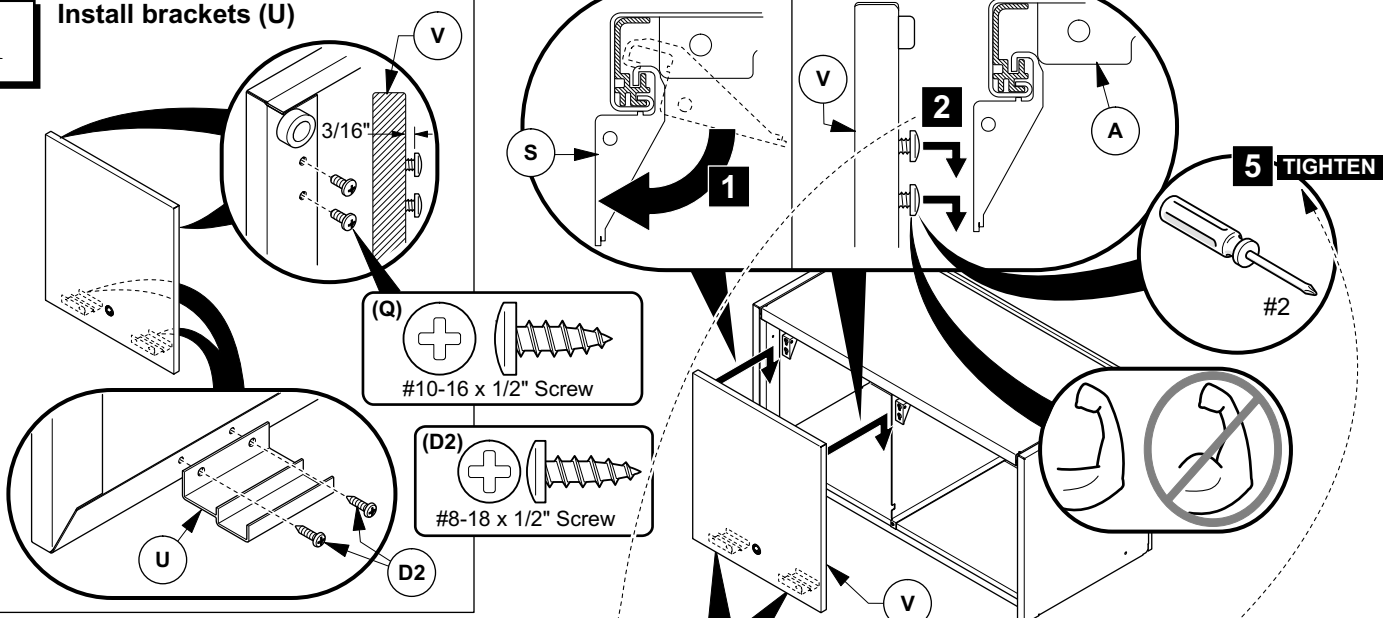
OR



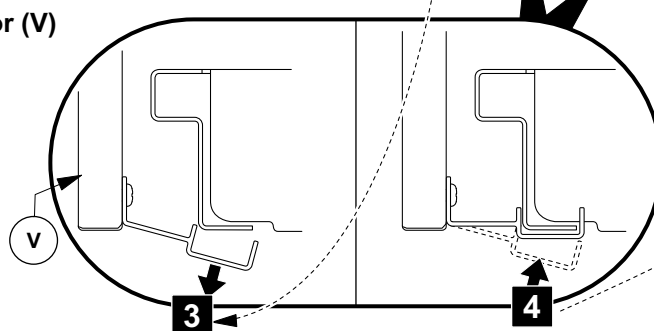
CUSTOMER SERVICE PHONE: 1-800-426-8562

FOR SLIDER DOOR INSTALLATION

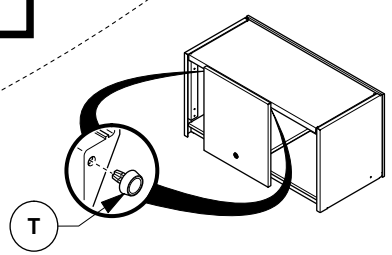
1 Install brackets (U)



2 Install door (V)

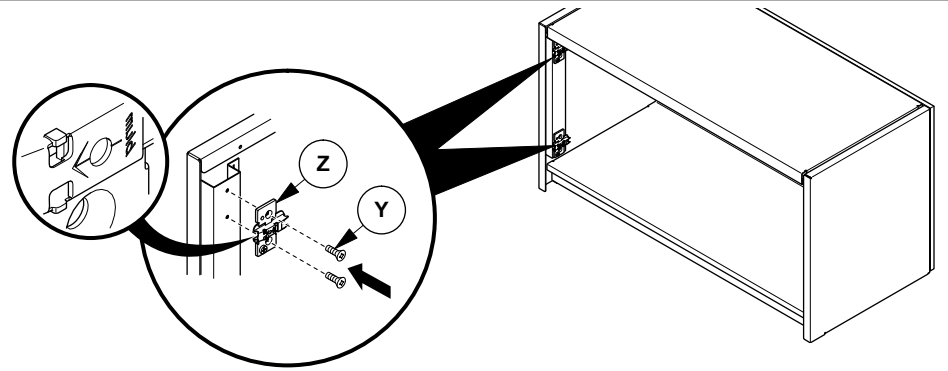
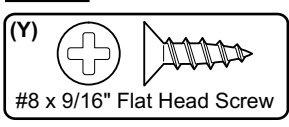


3 Install bumpers (T)



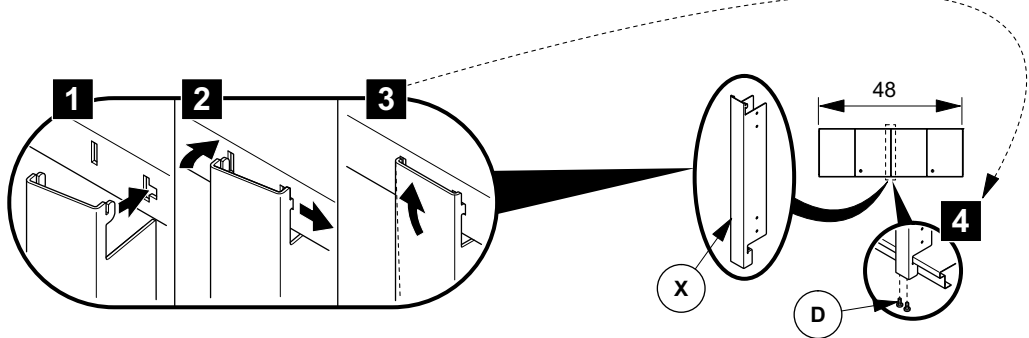
FOR SWING DOOR INSTALLATION

1 Install hinge brackets (Z)



FOR UNITS WITH MULTIPLE DOORS

2 #8-18 x 3/8 inch Screw (D)

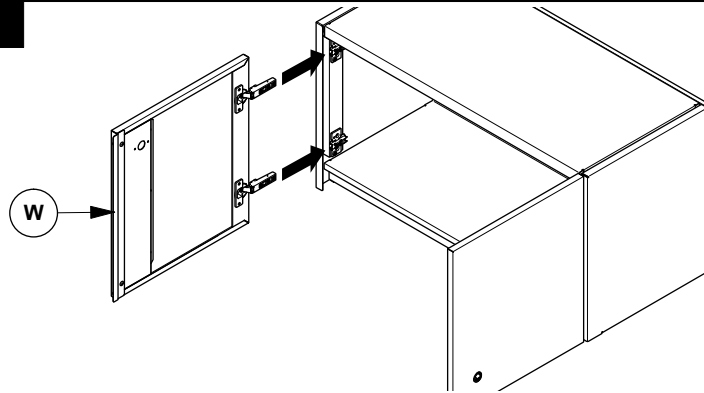


CUSTOMER SERVICE PHONE: 1-800-426-8562

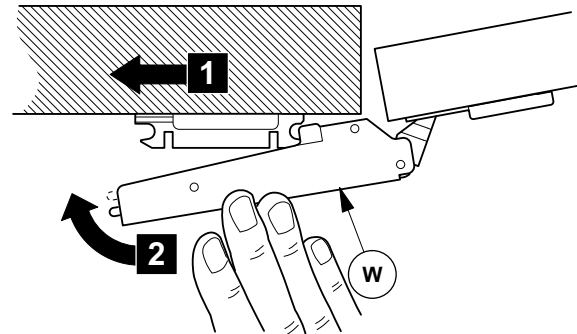
FOR SWING DOOR INSTALLATION

3

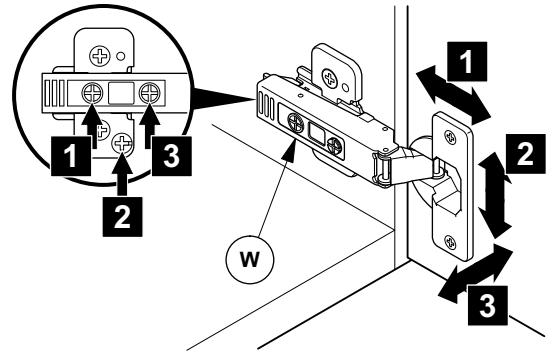
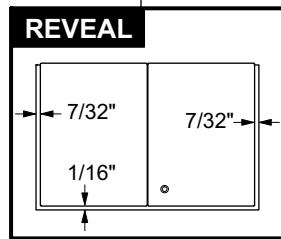
Install doors (W)



DOOR HINGE INSTALLATION/REMOVAL



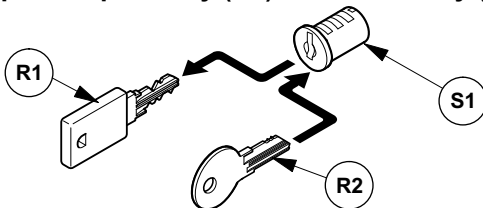
DOOR HINGE ADJUSTMENT



OPTIONAL: LOCK PLUG INSTALLATION

1

Replace square key (R1) with round key (R2)

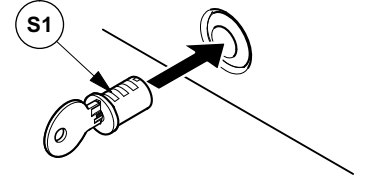


2

Install lock plug (S1)

NOTE: Position cam to unlocked (9:00 o'clock) position.

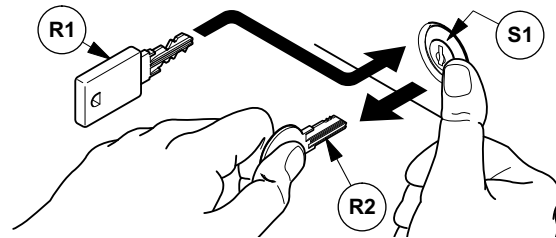
NOTE: It may be necessary to rotate cam until lock plug engages.



3

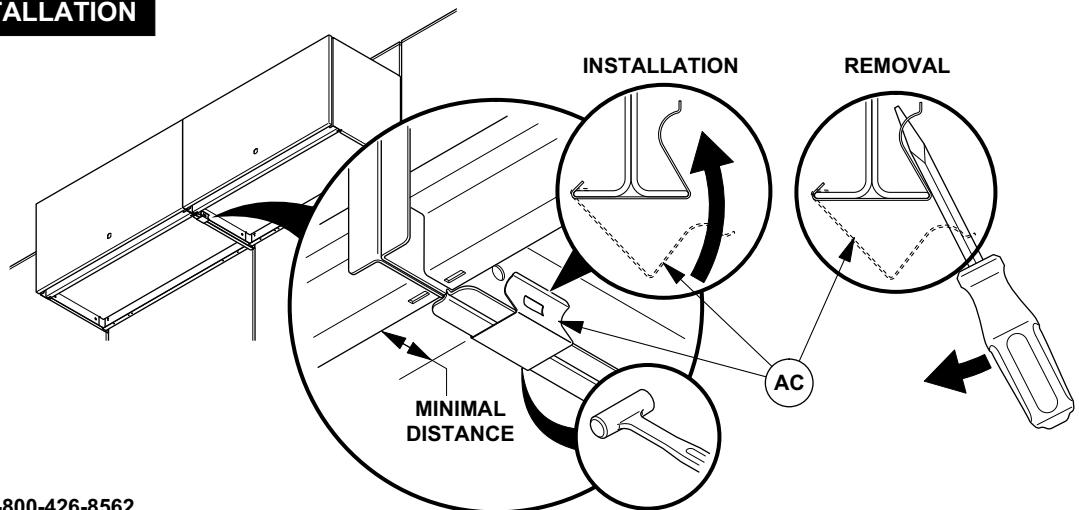
Remove round key (R2) and insert square key (R1)

NOTE: Hold the lock plug (S1) in place with thumb while removing the control key (R2).



FOR GANGING CLIP INSTALLATION

NOTE: For both OSU and open shelf required for unbalanced panel load.



CUSTOMER SERVICE PHONE: 1-800-426-8562

HAWORTH

E.C.O. No: 244-385

Page: 6 of 6

Part No: 7021-9458

Rev: 1