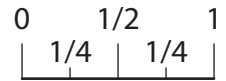
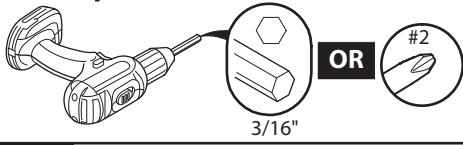


MASTER SERIES®
Credenza Desk
Installation Instructions

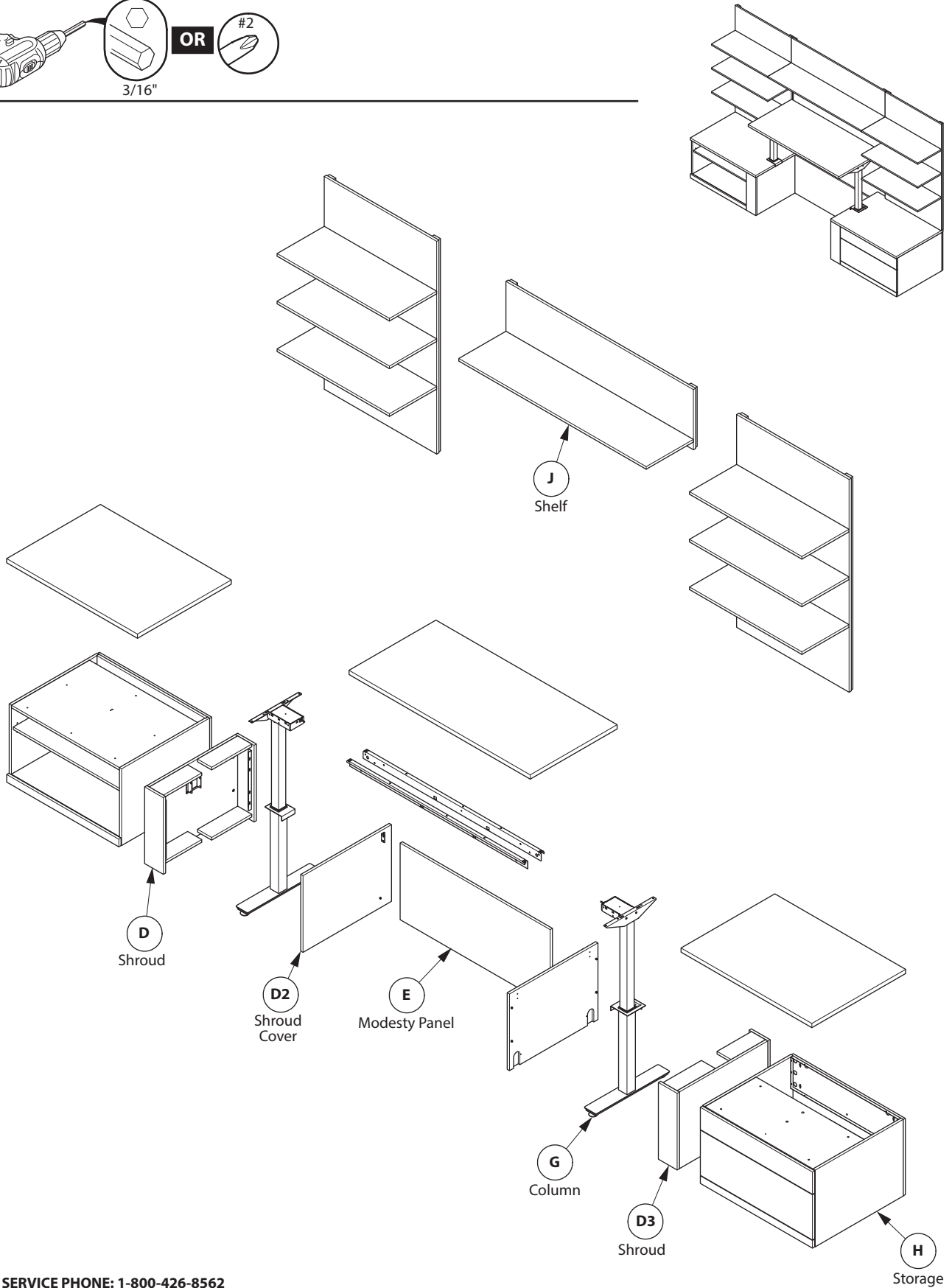


Scale 1 : 1

Tools Required



Parts



CUSTOMER SERVICE PHONE: 1-800-426-8562

HAWORTH®

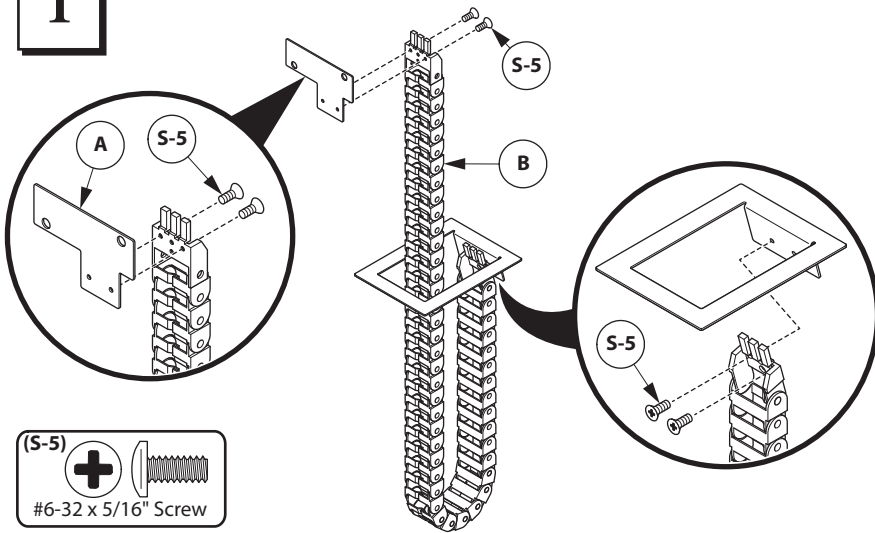
E.C.O. No: 785-709

Page: 1 of 6

Part No: 6100-0056

Rev: 1

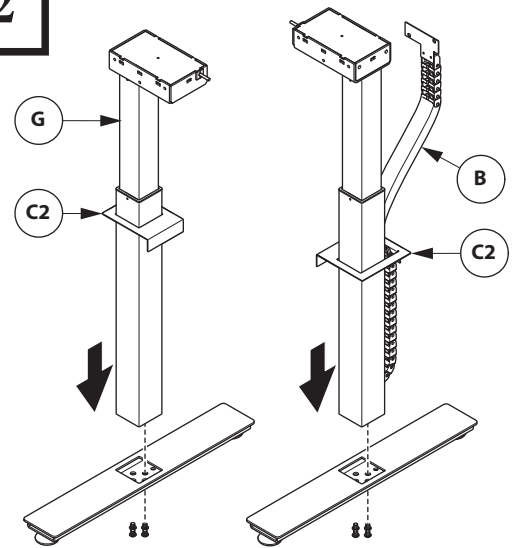
1



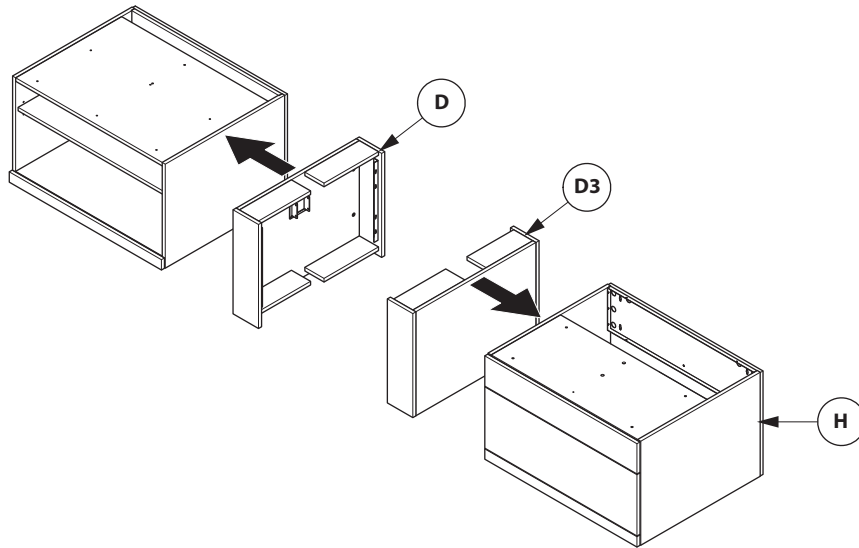
2

LEFT SIDE

RIGHT SIDE

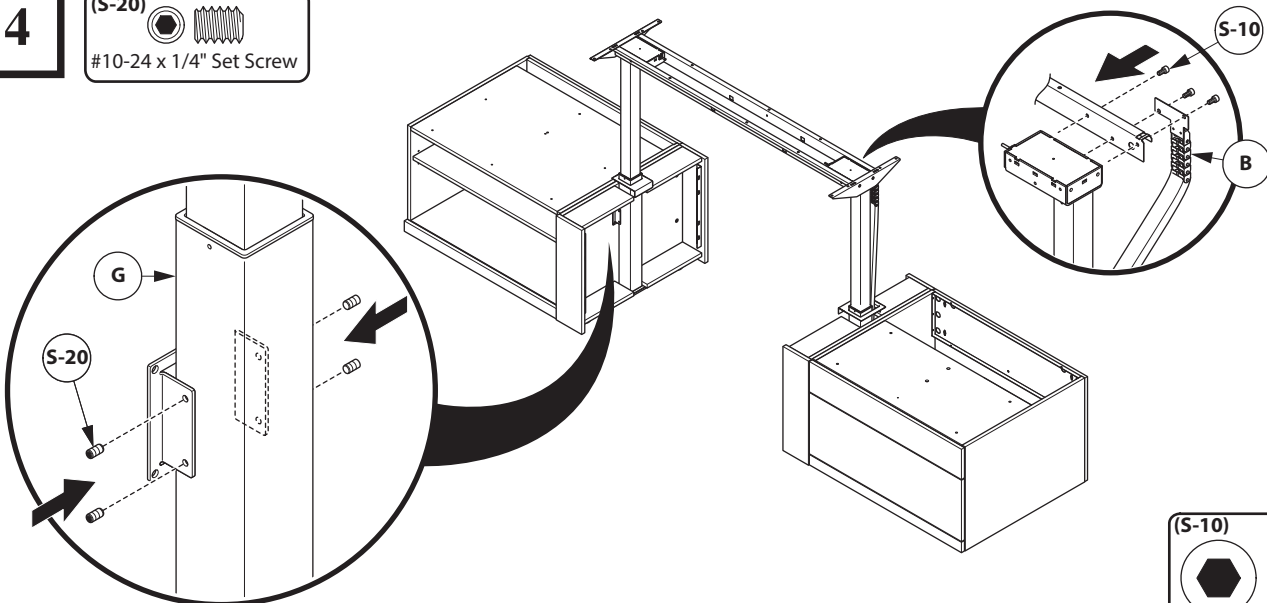


3



4

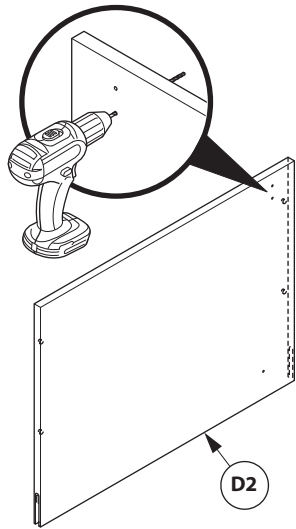
(S-20) #10-24 x 1/4" Set Screw



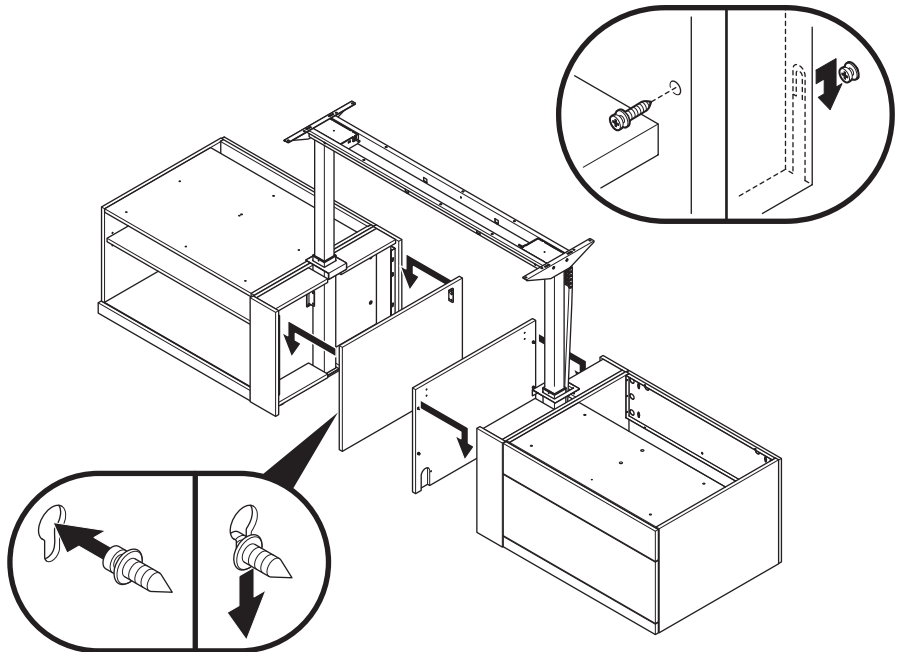
(S-10) Socket Cap M6 X 12mm

CUSTOMER SERVICE PHONE: 1-800-426-8562

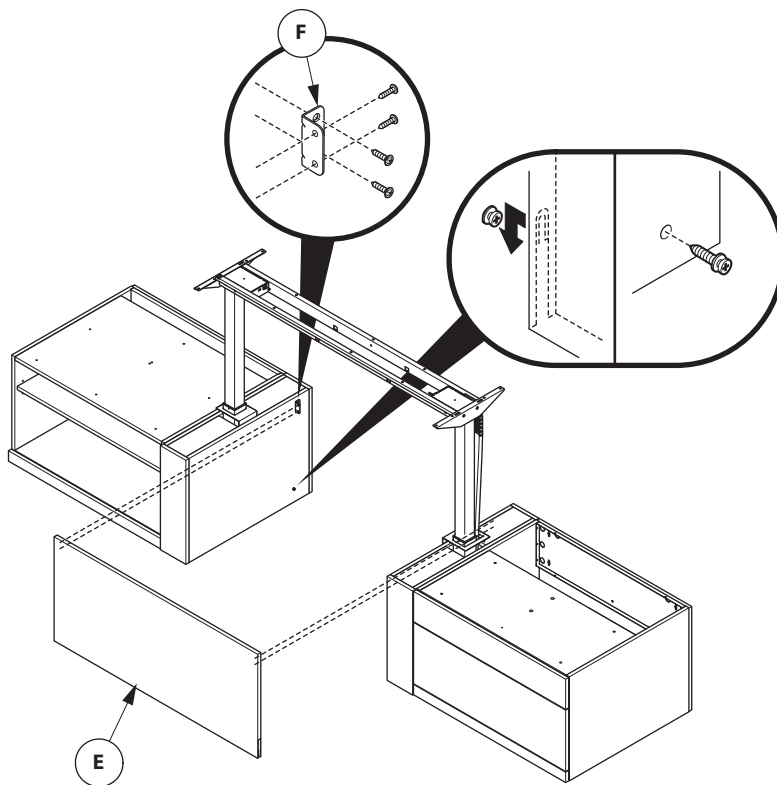
5



6

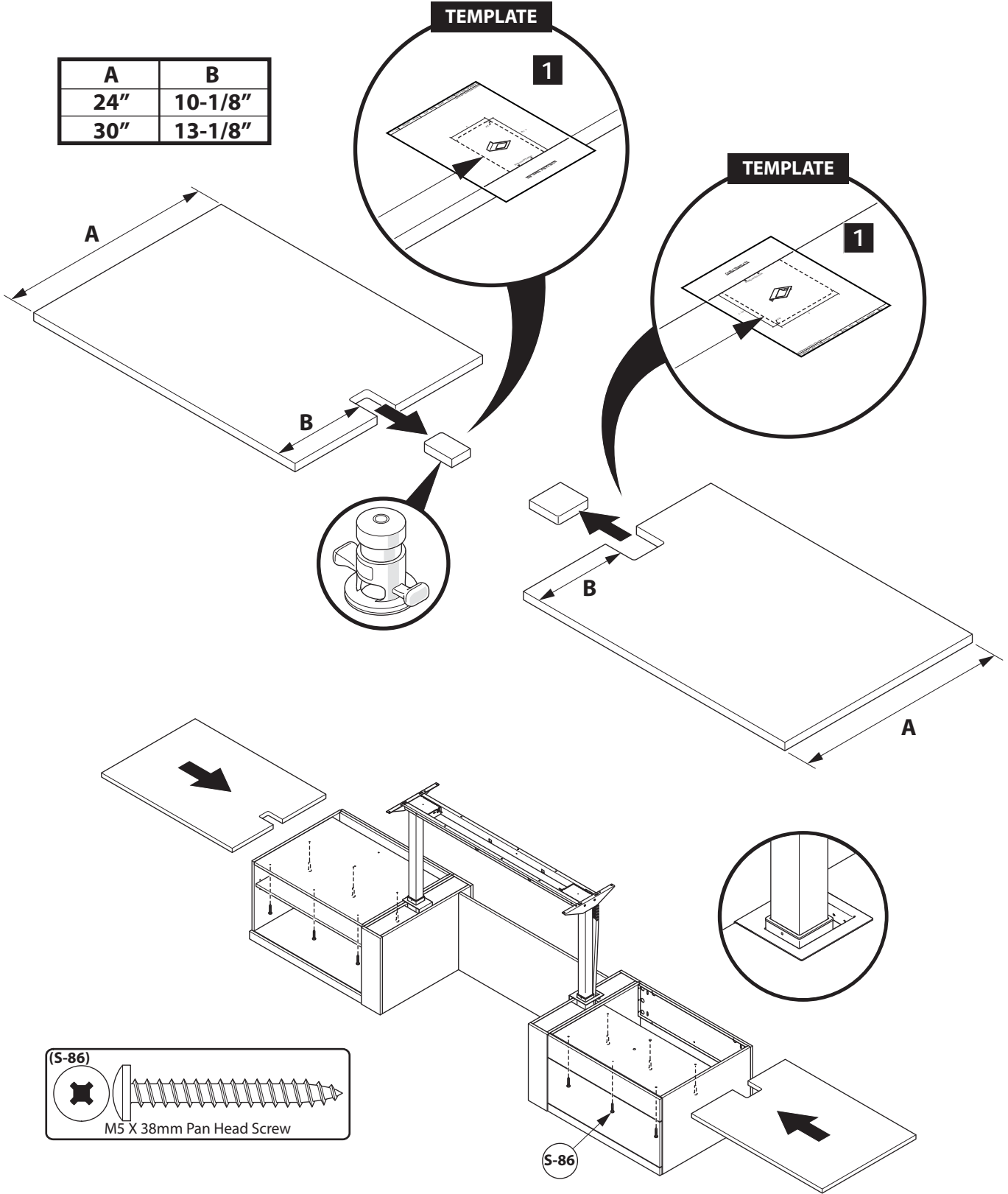


7



8

A	B
24"	10-1/8"
30"	13-1/8"



CUSTOMER SERVICE PHONE: 1-800-426-8562

HAWORTH[®]

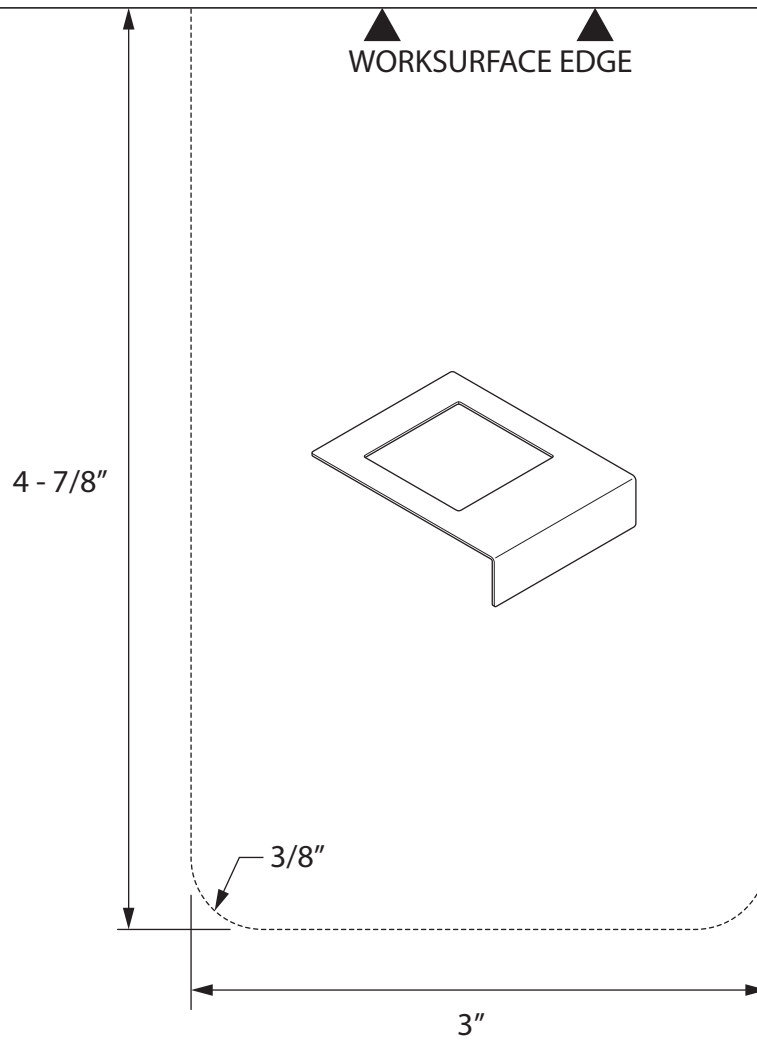
E.C.O. No: 785-709

Page: 4 of 6

Part No: 6100-0056

Rev: 1

NON-CABLE TEMPLATE



CUSTOMER SERVICE PHONE: 1-800-426-8562

HAWORTH®

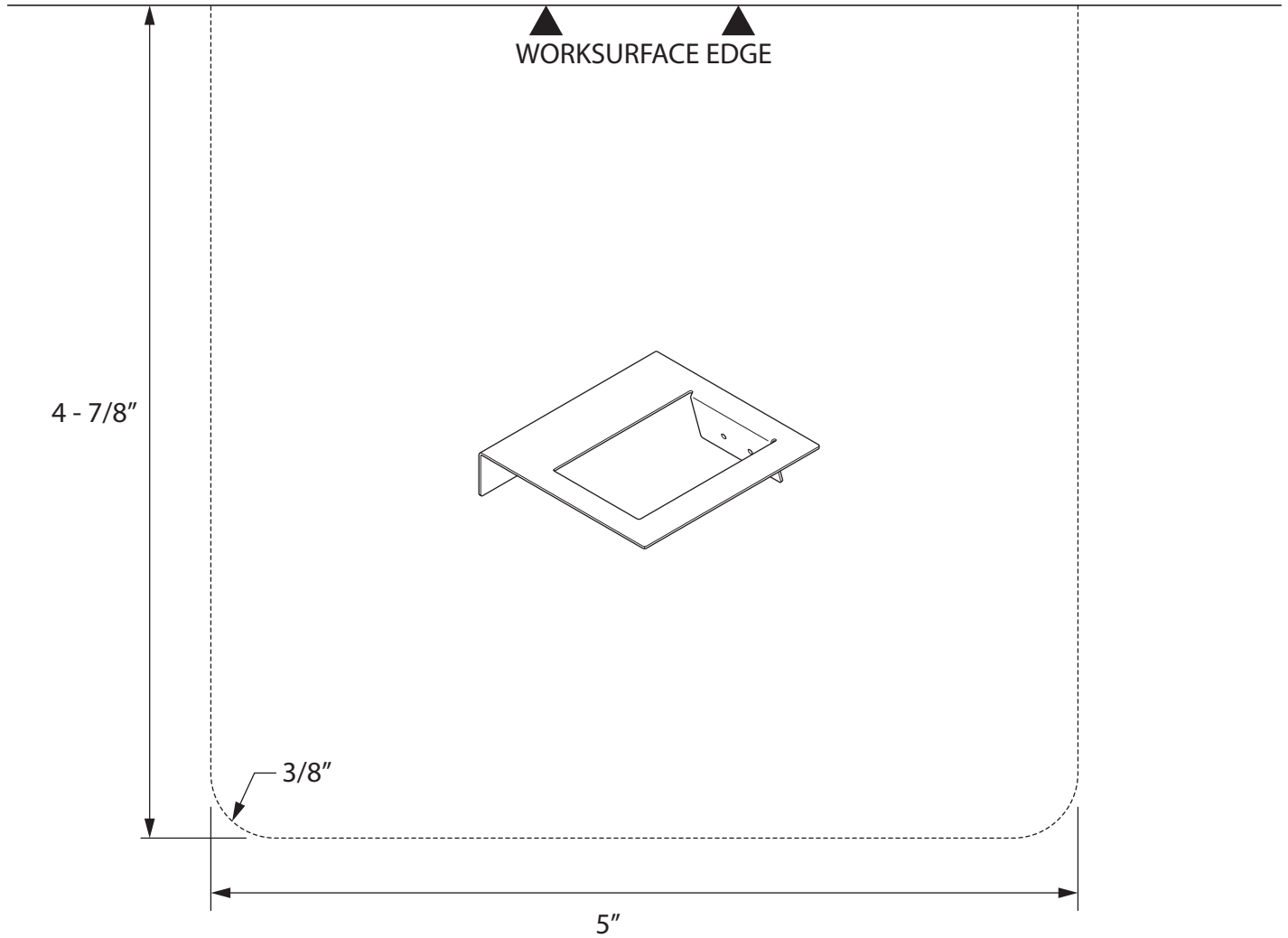
E.C.O. No: 785-709

Page: 5 of 6

Part No: 6100-0056

Rev: 1

CABLE TEMPLATE



CUSTOMER SERVICE PHONE: 1-800-426-8562

HAWORTH[®]

E.C.O. No: 785-709

Page: 6 of 6

Part No: 6100-0056

Rev: 1