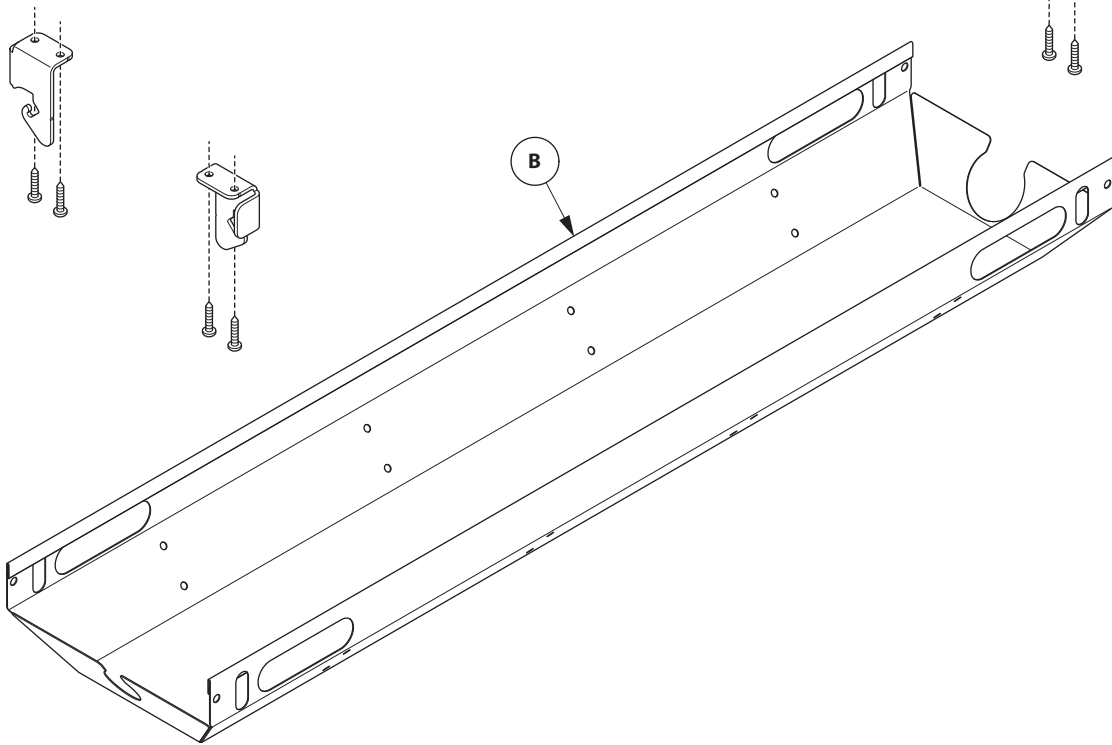
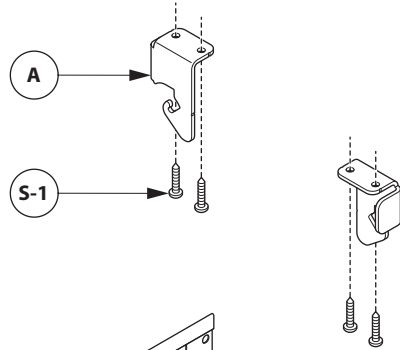
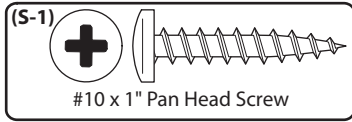
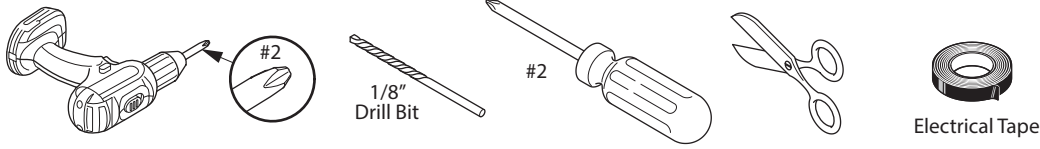


BELONG®
Wire Management Tray
 Installation Instructions

0 1/2 1
 1/4 1/4

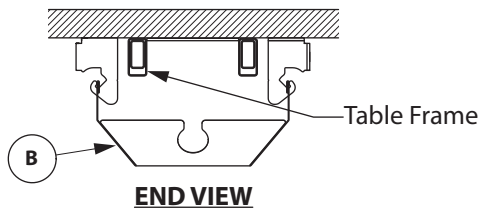
Scale 1 : 1

Tools Required

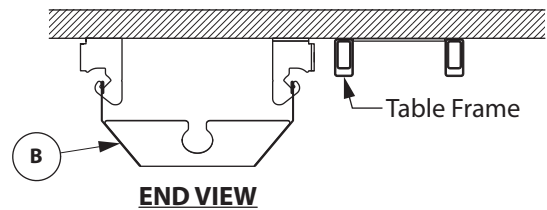


OPTIONAL LOCATIONS

Standard Location
 Use Predrilled Holes



Random Location
 Template Required (Page 4)



CUSTOMER SERVICE PHONE: 1-800-426-8562

HAWORTH

E.C.O. No: 298-797

Page: 1 of 5

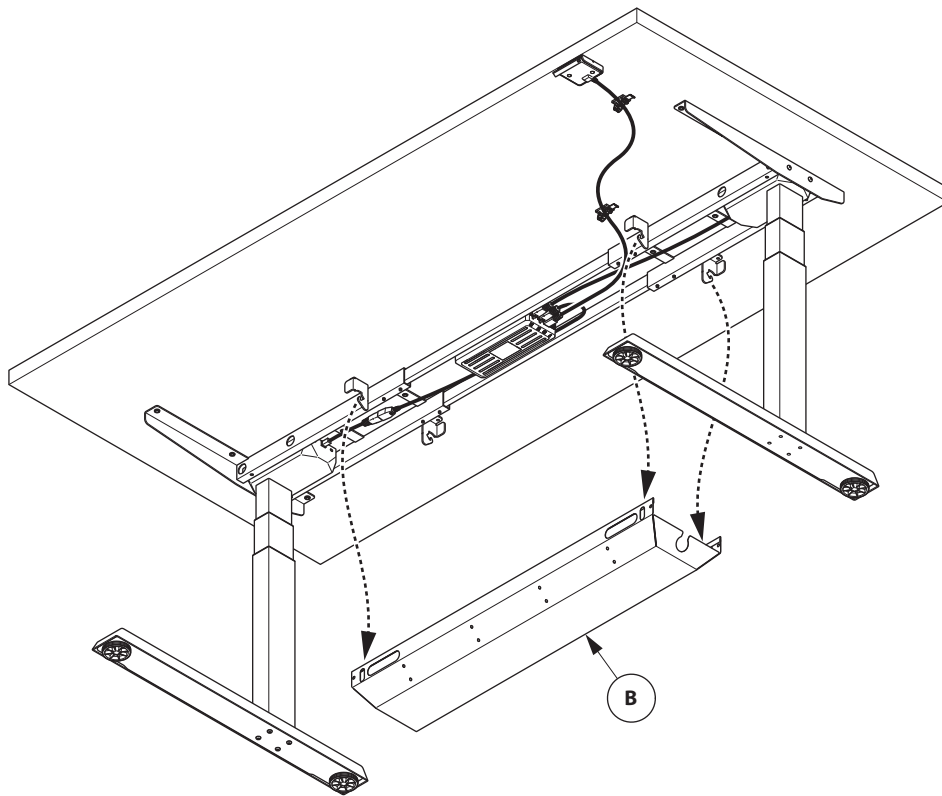
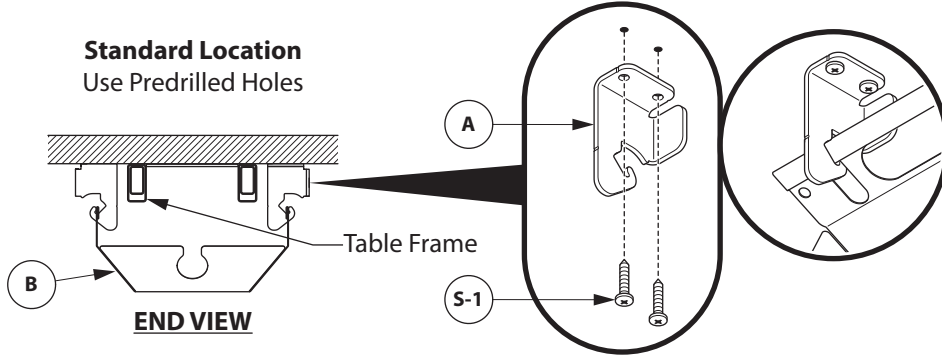
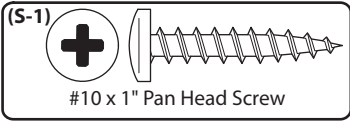
Part No: 6100-0139

Rev: 2

FOR STANDARD LOCATION

1

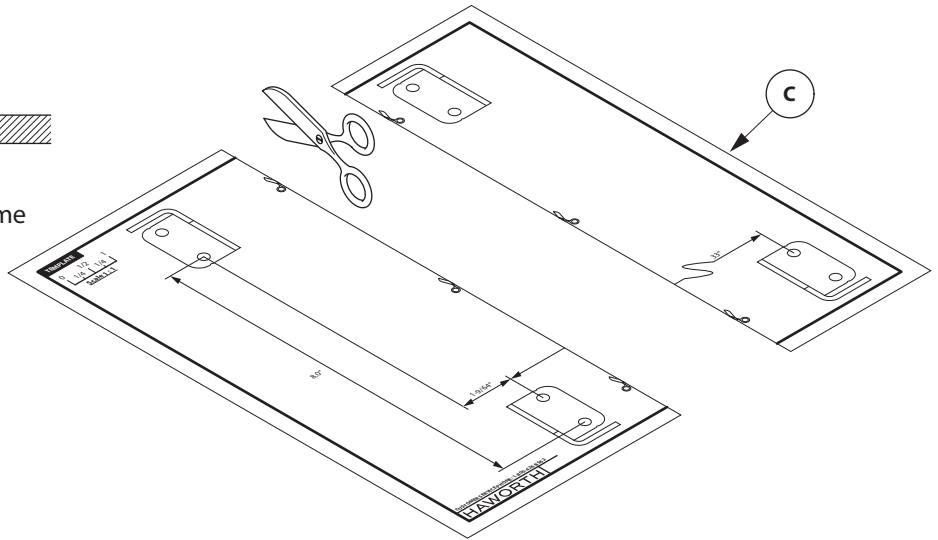
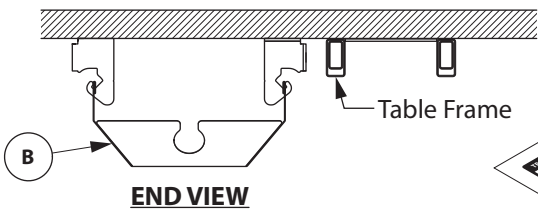
Use predrilled holes and install brackets (A) and attached trough (B)



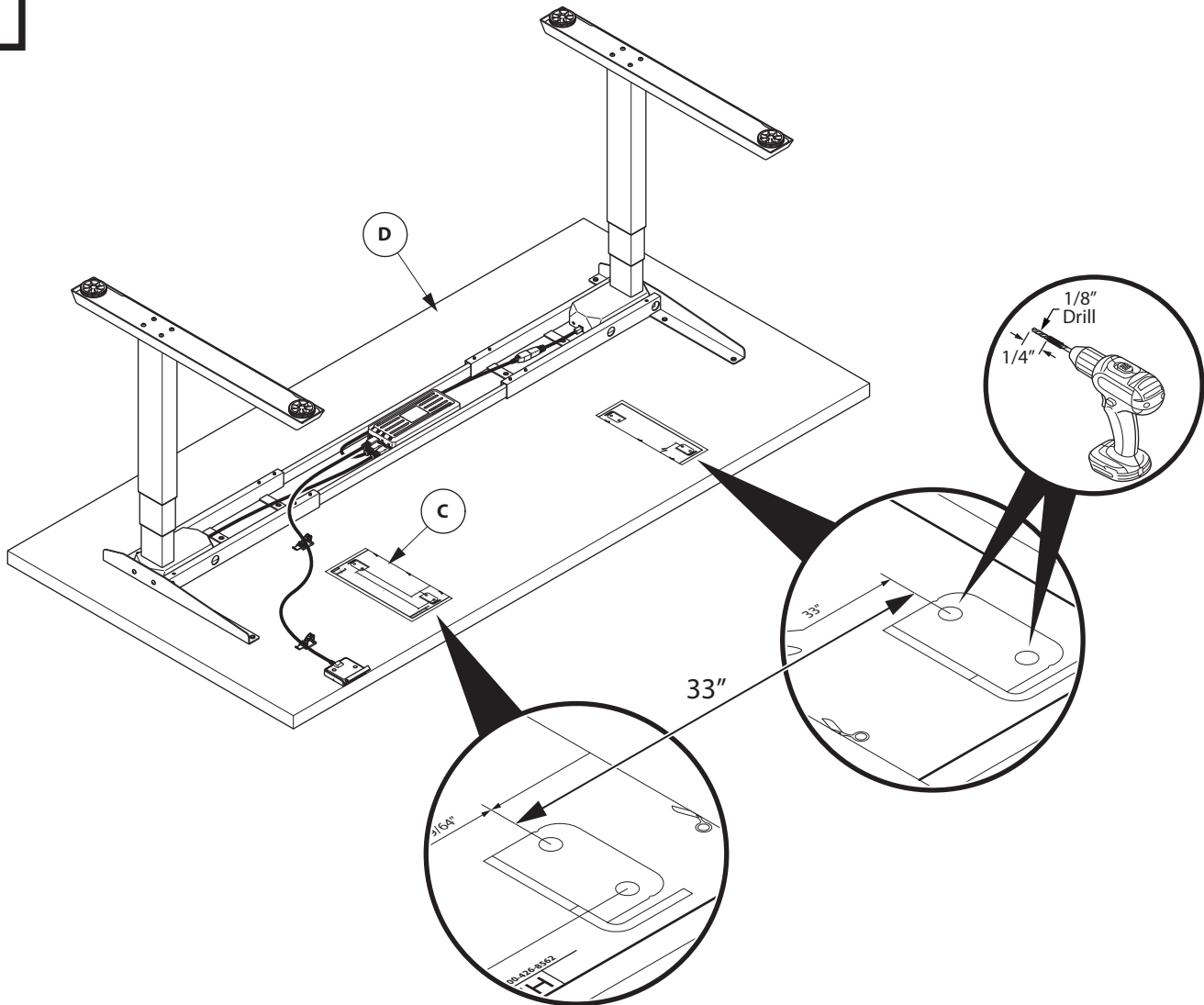
FOR RANDOM LOCATION

1 Cut template (C) as shown

Random Location
Template Required (Page 5)



2 Locate template (C) and drill holes



CUSTOMER SERVICE PHONE: 1-800-426-8562

HAWORTH

E.C.O. No: 298-797

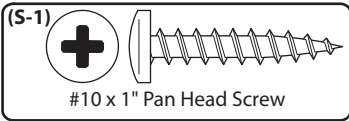
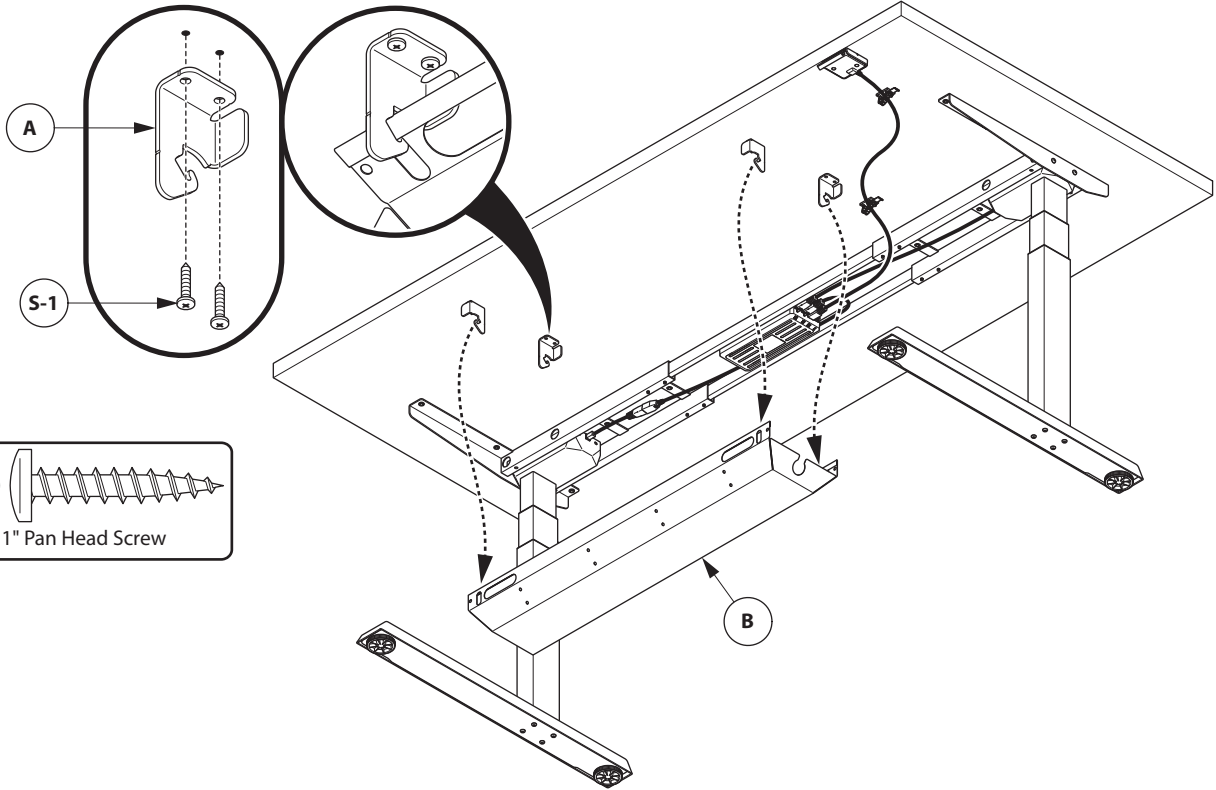
Page: 3 of 5

Part No: 6100-0139

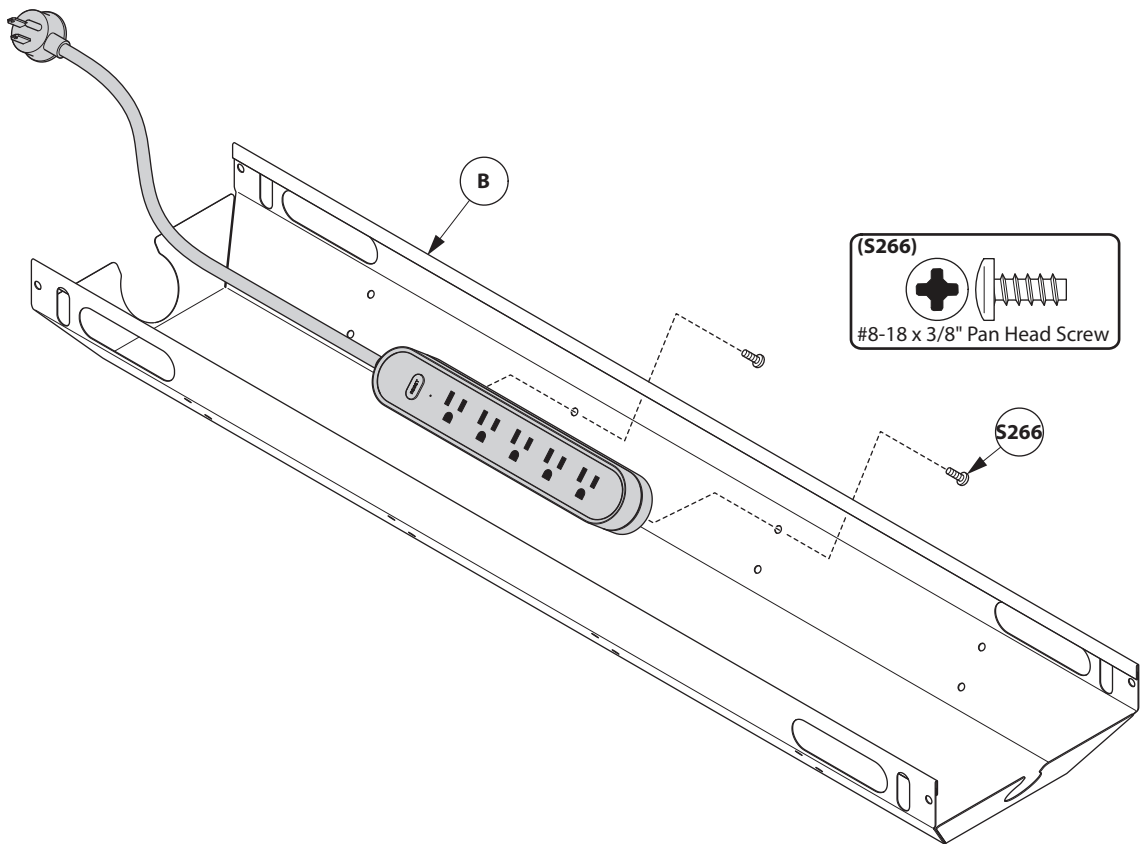
Rev: 2

3

Install brackets (A) and attached trough (B)



POWER STRIP INSTALLATION



CUSTOMER SERVICE PHONE: 1-800-426-8562

HAWORTH

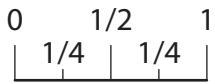
E.C.O. No: 298-797

Page: 4 of 5

Part No: 6100-0139

Rev: 2

TEMPLATE



Scale 1 : 1

8.0"

1-9/64"

33"

CUSTOMER SERVICE PHONE: 1-800-426-8562

HAWORTH