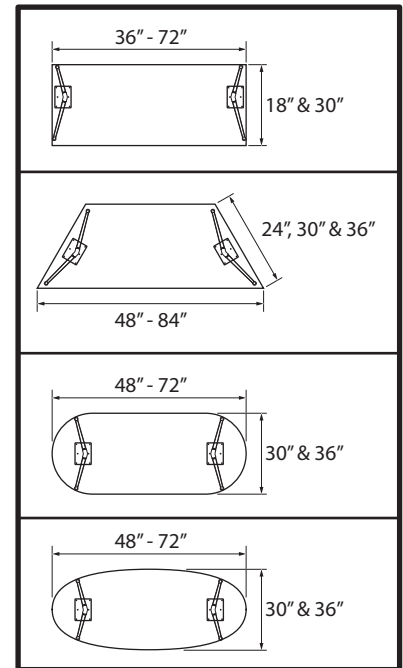
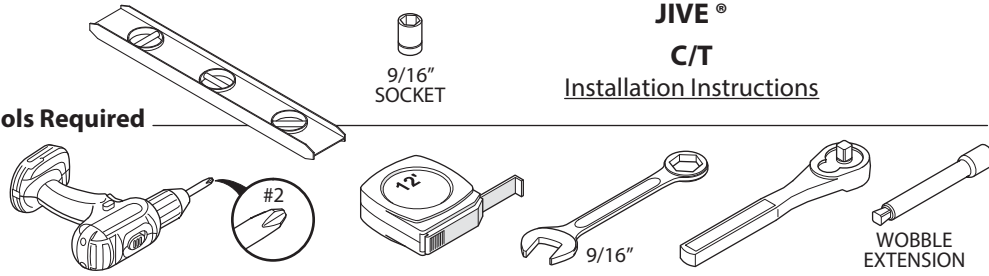


JIVE®

C/T

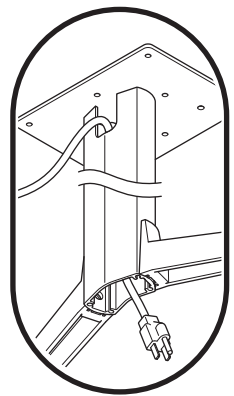
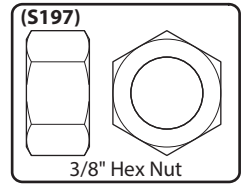
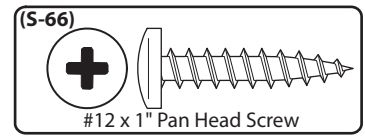
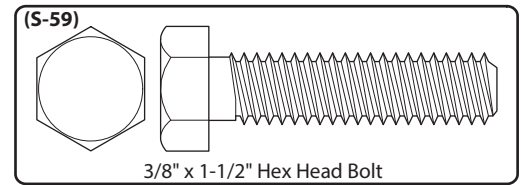
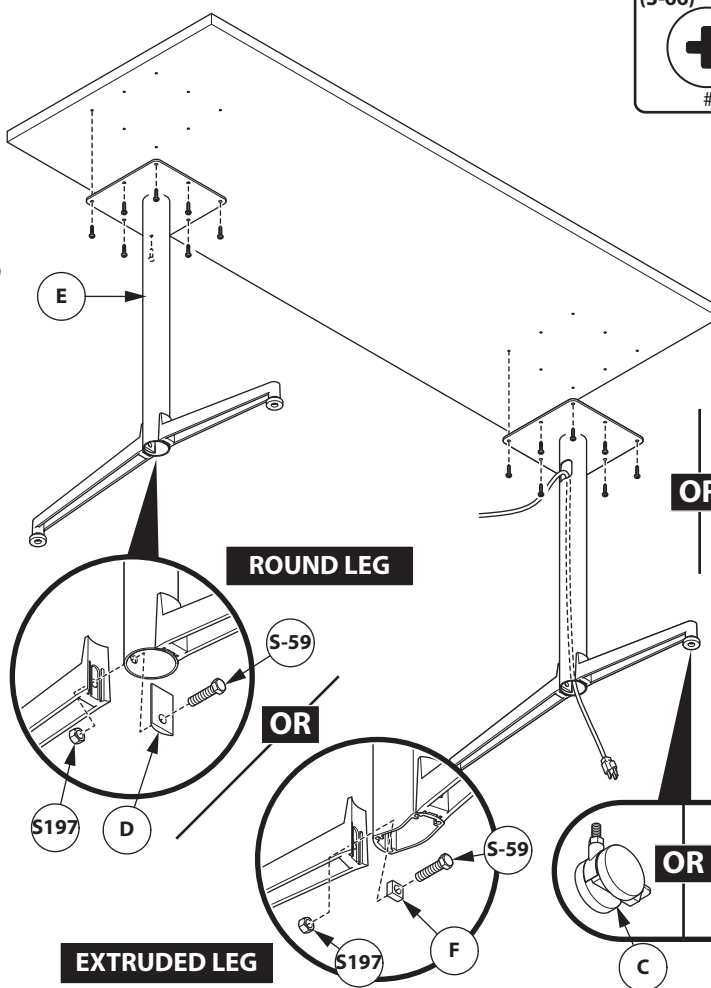
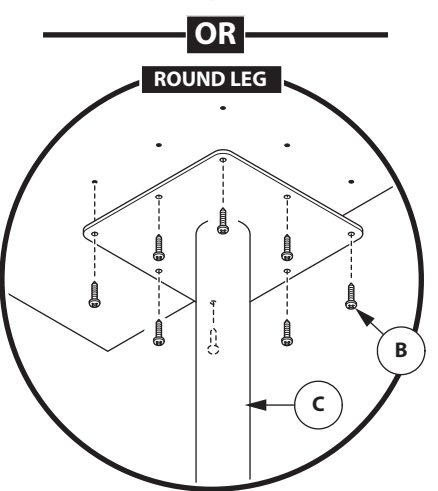
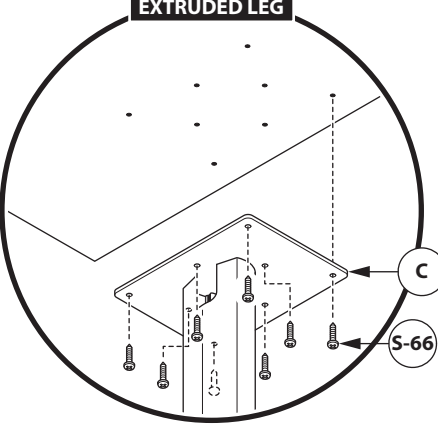
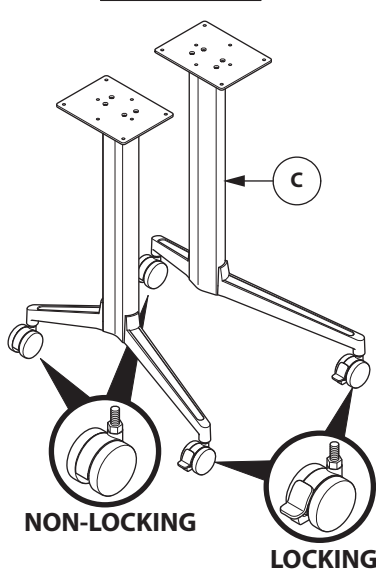
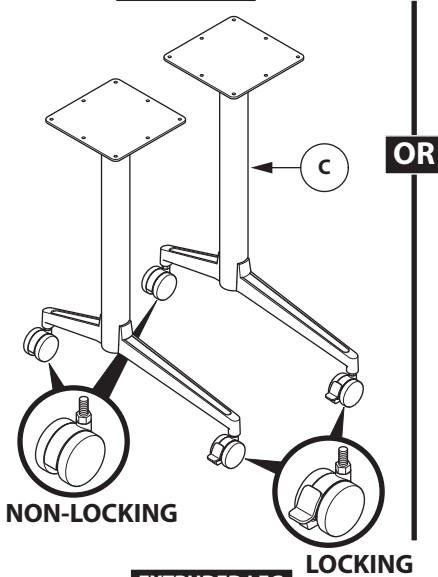
Installation Instructions

Tools Required



ROUND LEG

EXTRUDED LEG



CUSTOMER SERVICE PHONE: 1-800-426-8562

HAWORTH

E.C.O. No: 245-639

Page: 1 of 1

Part No: 6100-0109

Rev: 1