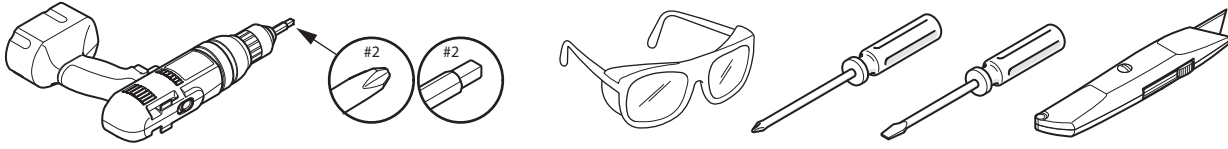




POPPY LOUNGE®
Lounge Chair (Swivel & Stationary)
 Disassembly & Recycling Instructions

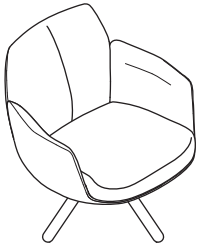
Tools Required



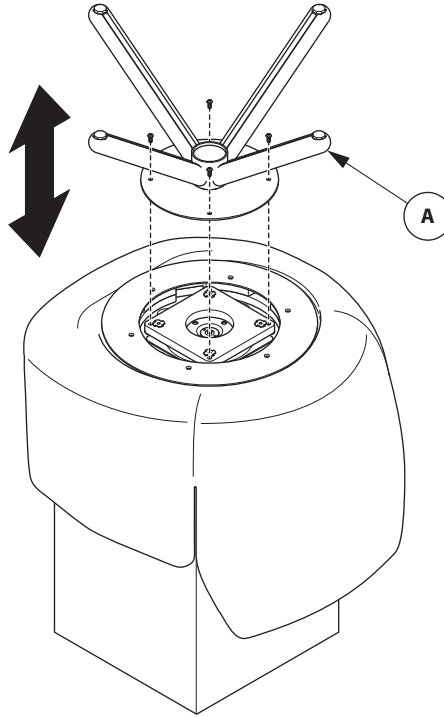
FOR SWIVEL BASE

1 Base (A)

Swivel Chair



PAGES 1 & 2

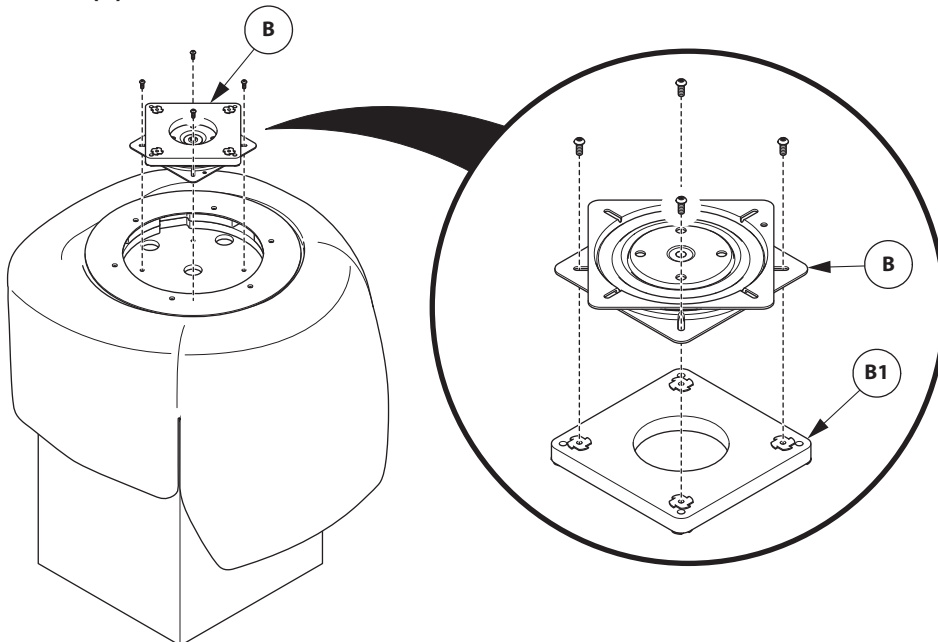


RECYCLE BINS

STEEL

FOR SWIVEL BASE

2 Swivel (B)



RECYCLE BINS

STEEL

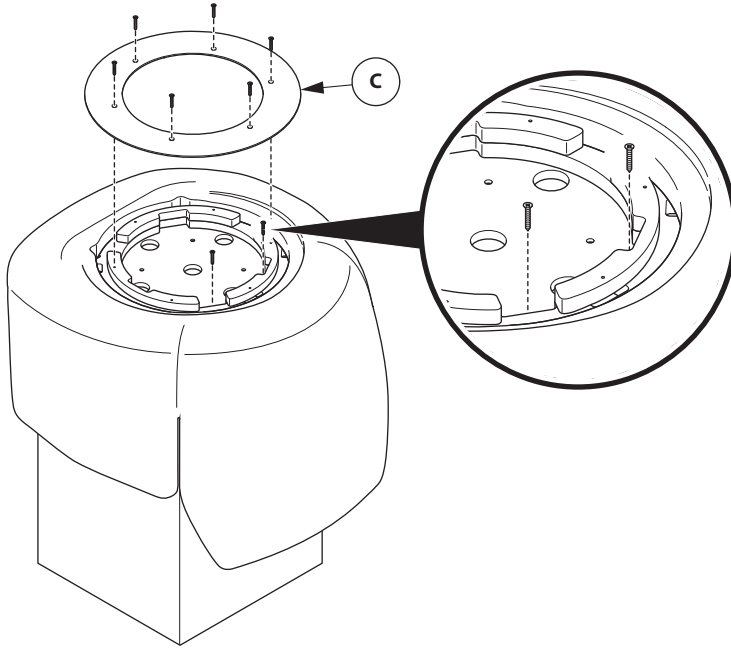
WOOD

CUSTOMER SERVICE PHONE: 1-800-426-8562

FOR SWIVEL BASE

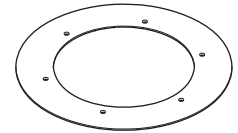
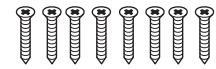
3

Close out plate (C)



RECYCLE BINS

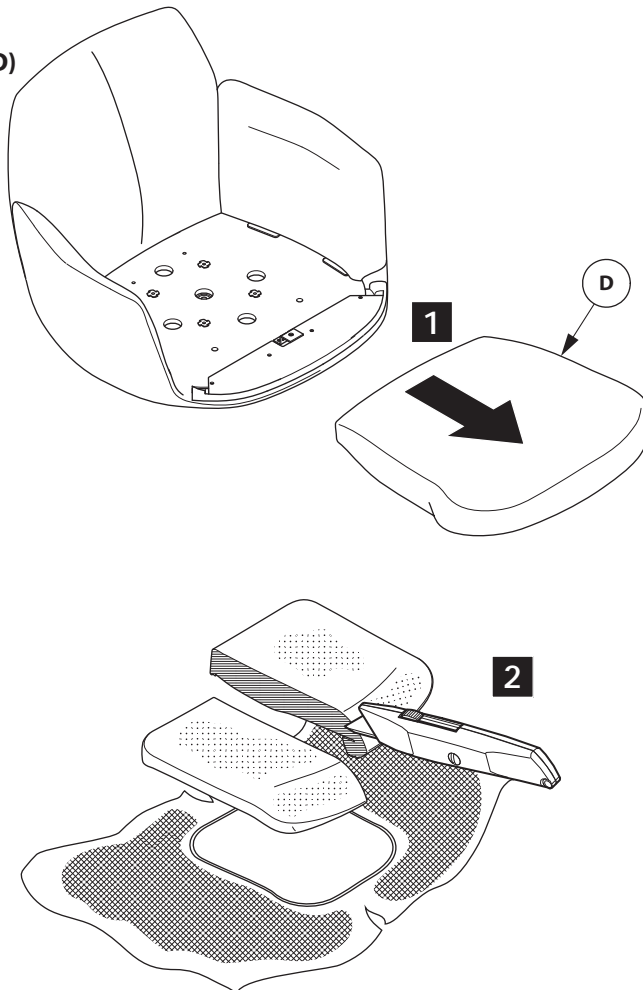
STEEL



FOR SEAT

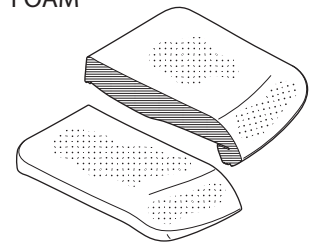
4

Seat (D)

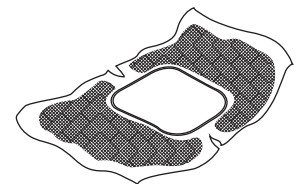


RECYCLE BINS

FOAM

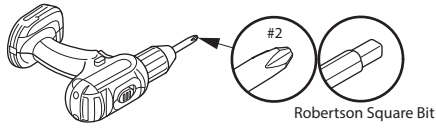


MATERIAL



POPPY LOUNGE®
Lounge Chair (Stationary)
 Disassembly & Recycling Instructions

Tools Required

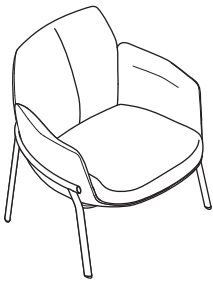


FOR STATIONARY BASE

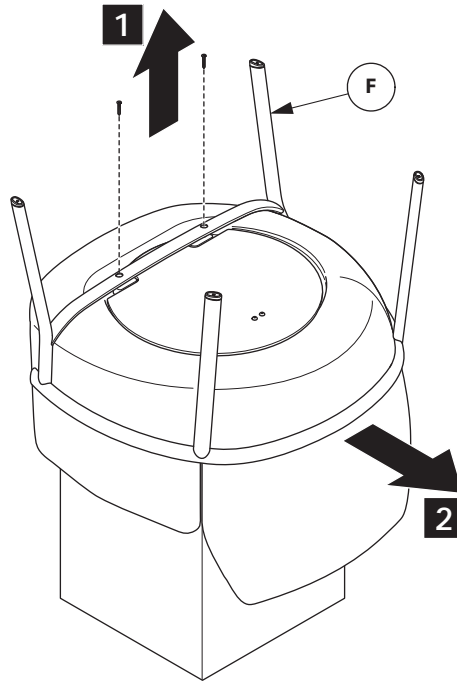
1

Base (F)

Stationary Chair



PAGES 3 & 4



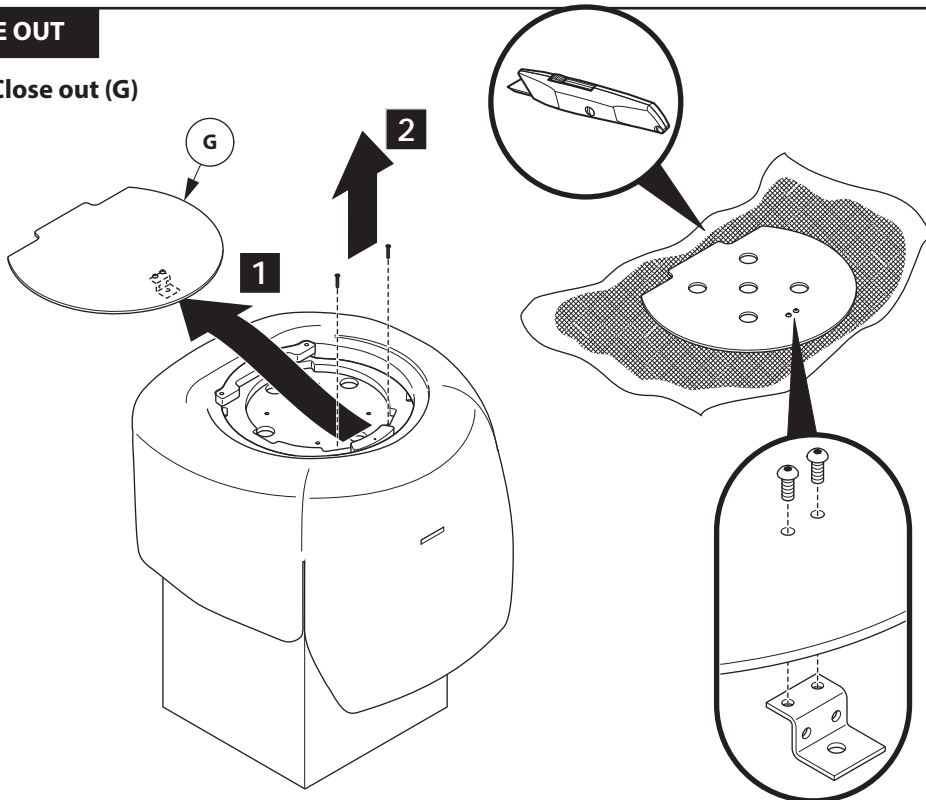
RECYCLE BINS

STEEL

FOR CLOSE OUT

2

Close out (G)



RECYCLE BINS

STEEL

WOOD

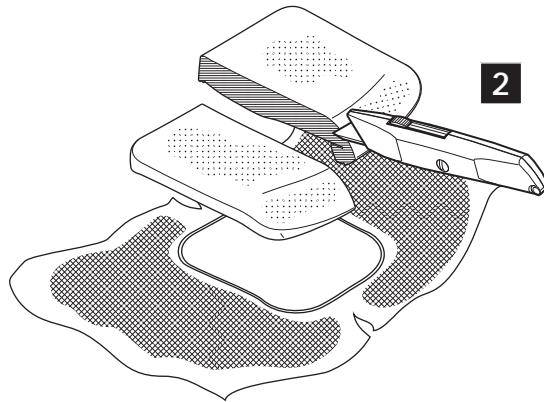
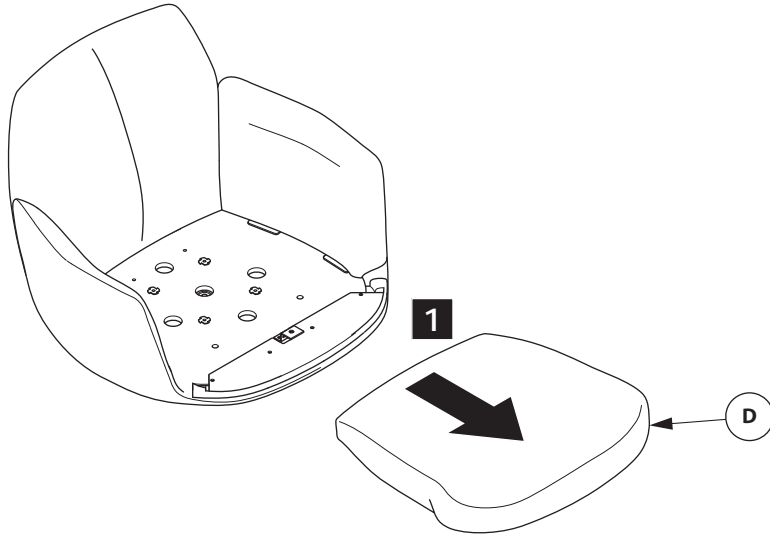
MATERIAL

CUSTOMER SERVICE PHONE: 1-800-426-8562

FOR SEAT

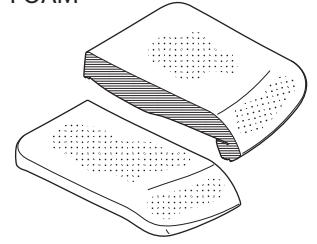
3

Seat (D)



RECYCLE BINS

FOAM



MATERIAL

