

AKP ADAPTER PLATE/MICROSOFT® KEYBOARD)
Installation Instructions

Parts List

AKP arm/adapter plate assembly with hardware
Three (3)#6 X 5/8" cross-recess (Phillips™) screws

Tools Required

Power driver with cross-recess (Phillips™) bit

Installation

1. Install AKP assembly to underside of work surface according to instructions provided with AKP.
2. Remove three (3) cross-recess screws from holes indicated in underside of Microsoft® keyboard (**Fig. 1**).
3. Set keyboard on adapter plate, aligning three holes in underside of keyboard with two recessed holes and one bracket hole in adapter plate. Attach keyboard to adapter plate using three (3) #6 x 5/8" cross-recess screws provided (**Fig. 1**).

See page 2 of 2 for field installation of adapter plate to existing AKP.

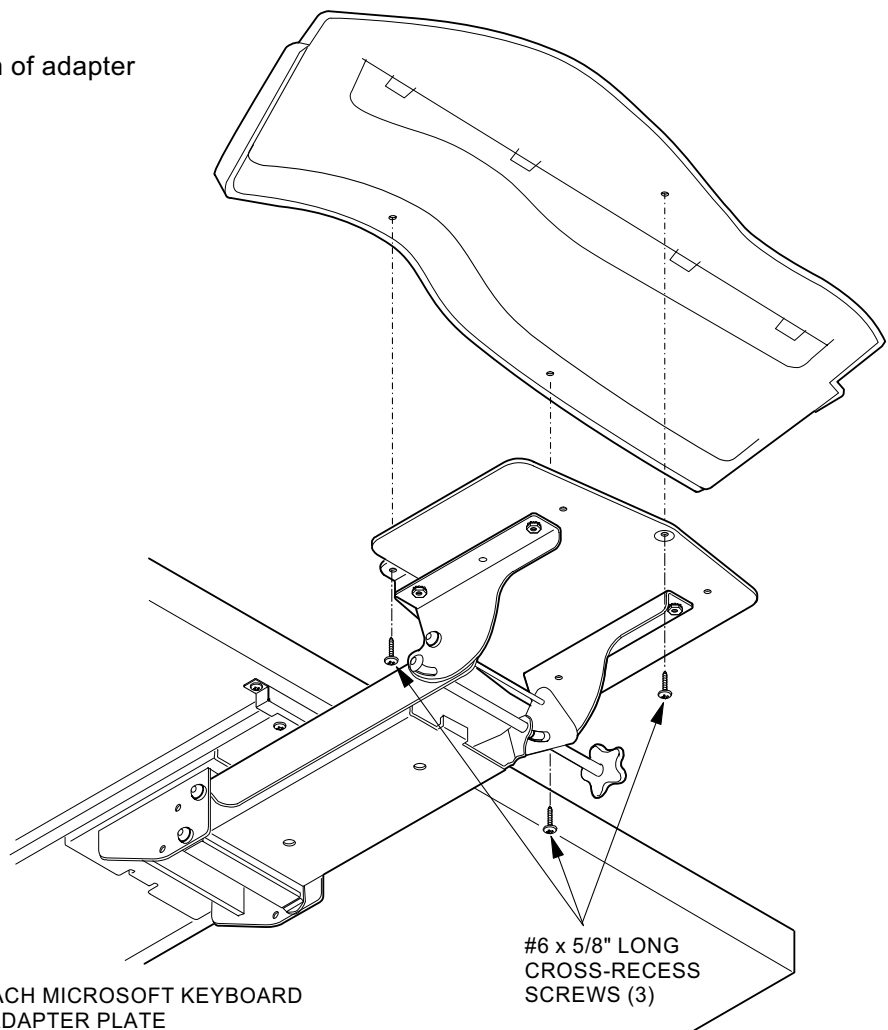


FIG. 1 ATTACH MICROSOFT KEYBOARD TO ADAPTER PLATE

CUSTOMER SERVICE PHONE: 1-800-426-8562

HAWORTH®

E.C.O. No: 251-143

Page: 1 OF 2

Part No: 7021-7058

Rev. A

**AKP ADAPTER PLATE (FOR USE WITH MICROSOFT® KEYBOARD)
RETROFIT FIELD INSTALLATION
Installation Instructions**

Parts List (Fig. 2)

- AKP adapter plate
- Four (4) 3/8" long, flathead, self-locking (PEM™) screws
- Four (4) self-locking hex nuts
- Three (3) #6 X 5/8" cross-recess (Phillips™) screws

Tools Required

- Power driver with reverse drive and cross-recess (Phillips™) bit
- 3/8" Wrench

Installation

1. Remove four (4) 1/2" long cross-recess screws from underside of existing AKP arm (**Fig. 2**).
2. Attach retrofit adapter plate to AKP arm using four (4) Pem® screws and four (4) self-locking hex nuts (**Fig. 3**).
3. Remove three (3) cross-recess screws from holes indicated in underside of Microsoft® keyboard (**Fig. 4**).
4. Set keyboard on adapter plate, aligning holes. Attach keyboard to adapter plate using three (3) #6 x 5/8" cross-recess screws (**Fig. 4**).

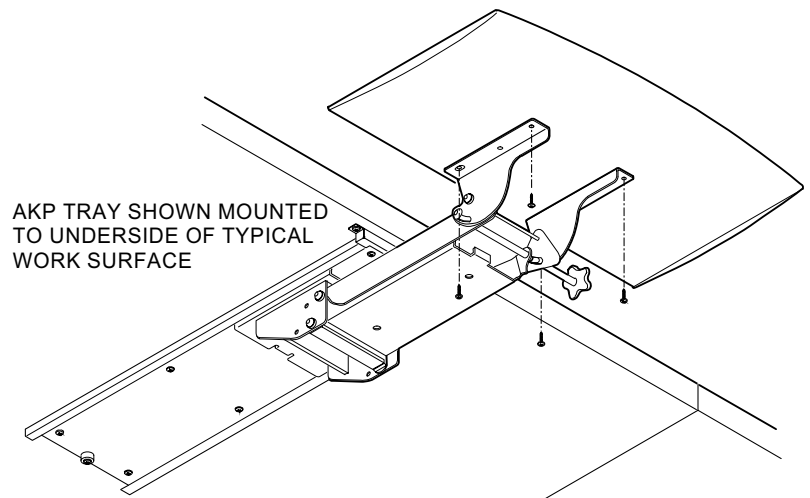


FIG. 2 REMOVE EXISTING AKP TRAY

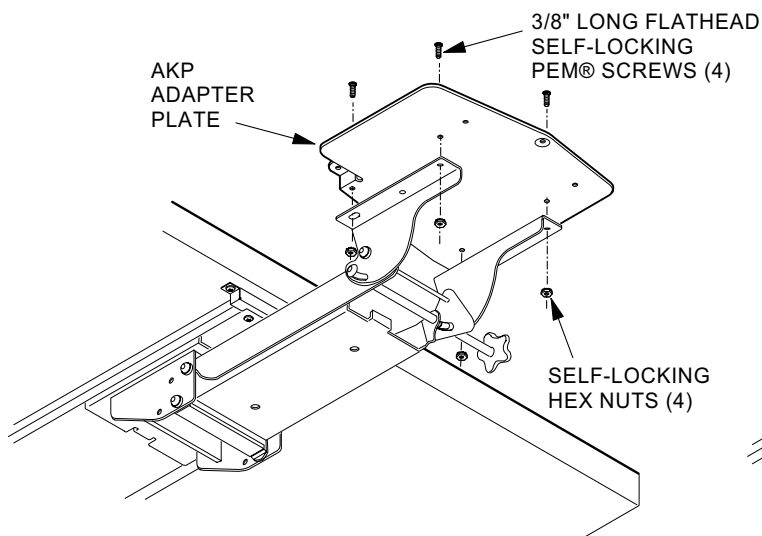


FIG. 3 ATTACH ADAPTER PLATE

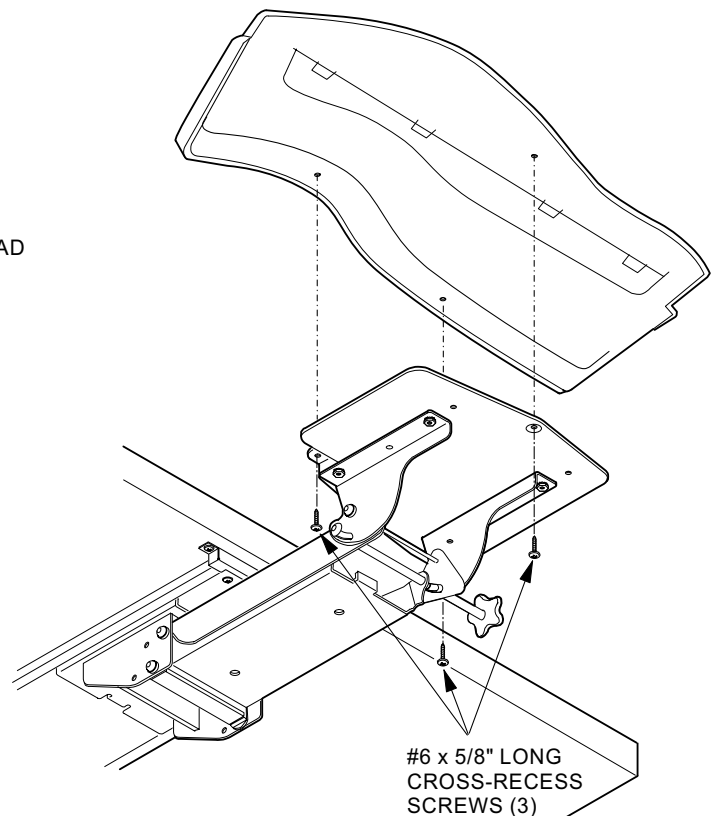


FIG. 4 ATTACH MICROSOFT KEYBOARD TO ADAPTER PLATE

CUSTOMER SERVICE PHONE: 1-800-426-8562

HAWORTH®

E.C.O. No: 251-143

Page: 2 OF 2

Part No: 7021-7058

Rev. A