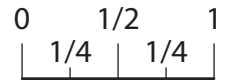


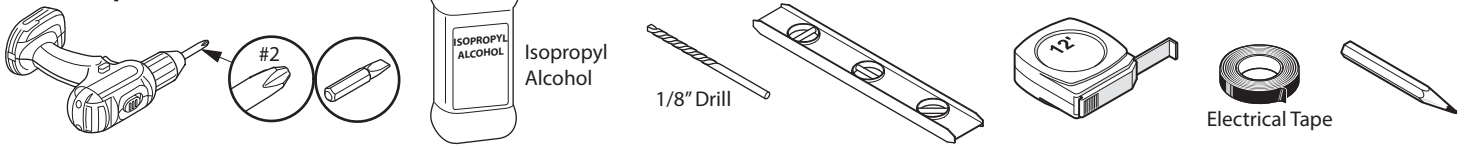
BE_HOLD™

Pedestals & Accessories
Installation Instructions

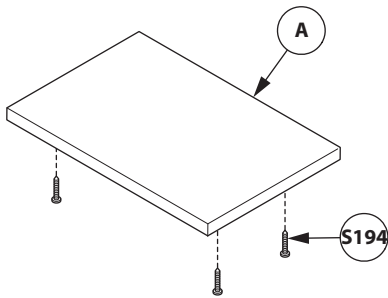


Scale 1 : 1

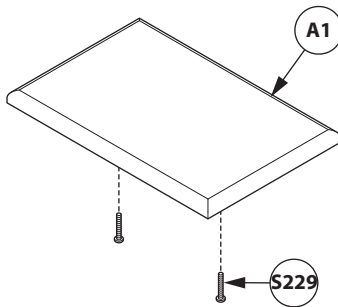
Tools Required



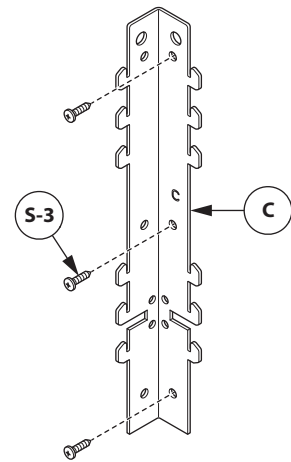
Top



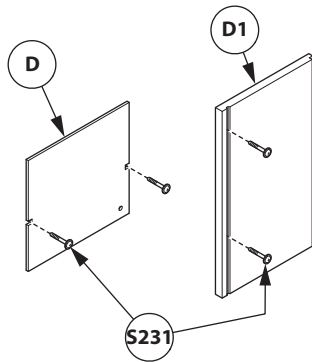
Cushion



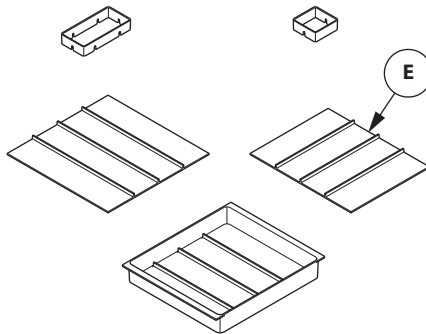
Panel Bracket



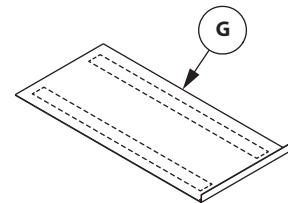
Counter Weight(s)



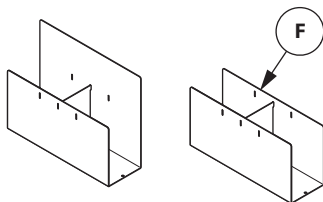
Drawer organizers



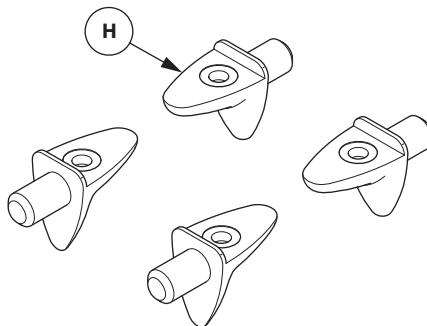
Liner



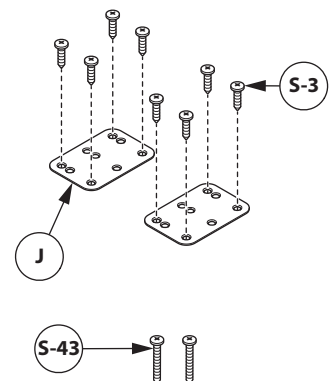
Drawer Dividers



Shelf Pins



Ganging Kit



CUSTOMER SERVICE PHONE: 1-800-426-8562

HAWORTH

E.C.O. No: 781-431

Page: 1 of 7

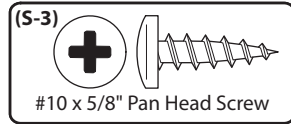
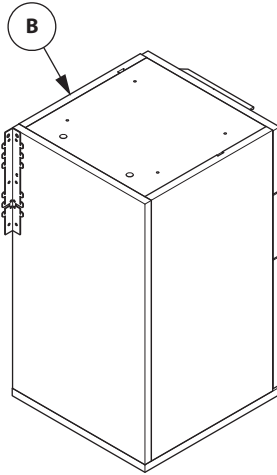
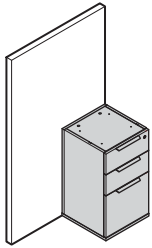
Part No: 6100-0124

Rev: 1

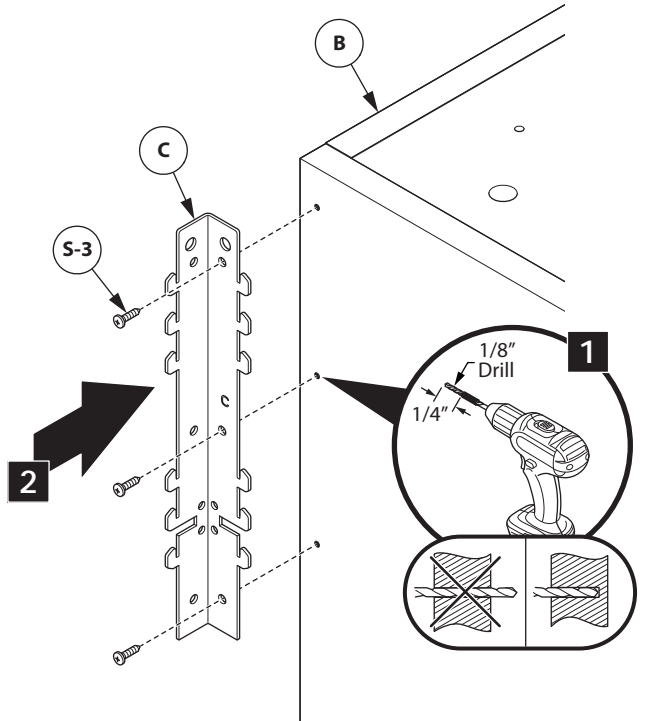
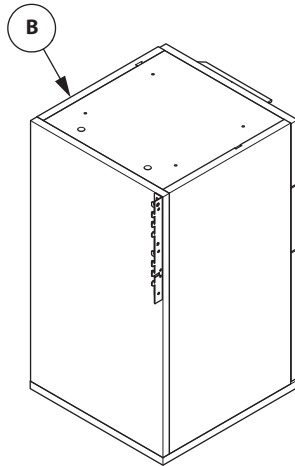
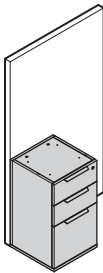
PANEL BRACKET INSTALLATION

1

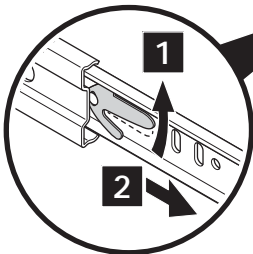
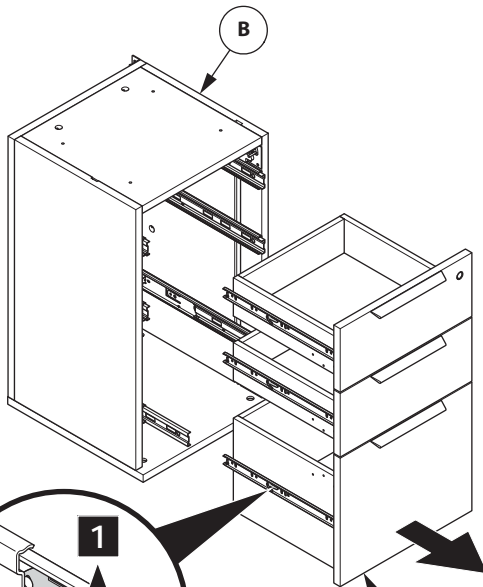
RIGHT HAND APPLICATION



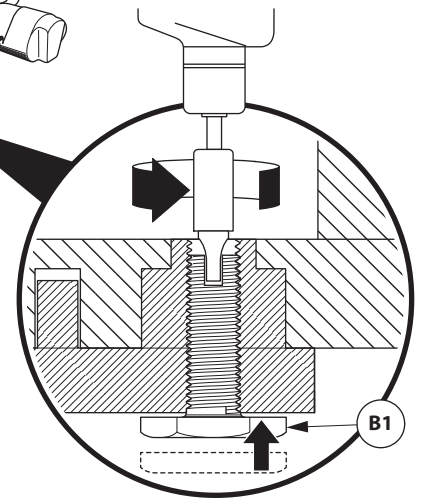
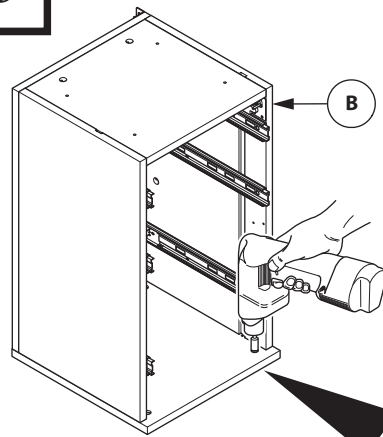
LEFT HAND APPLICATION



2

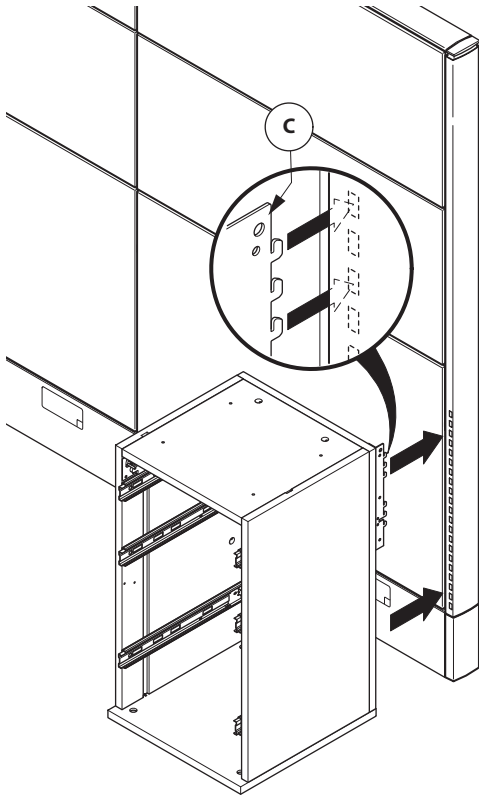


3

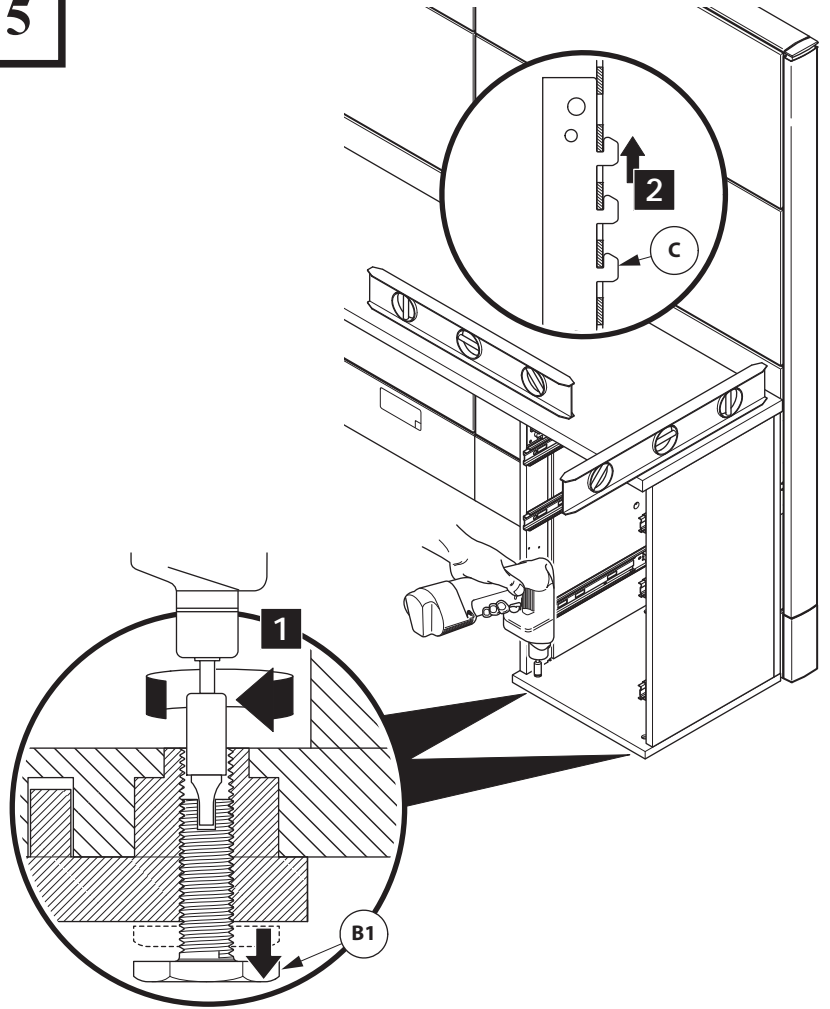


CUSTOMER SERVICE PHONE: 1-800-426-8562

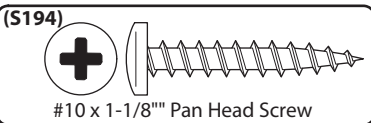
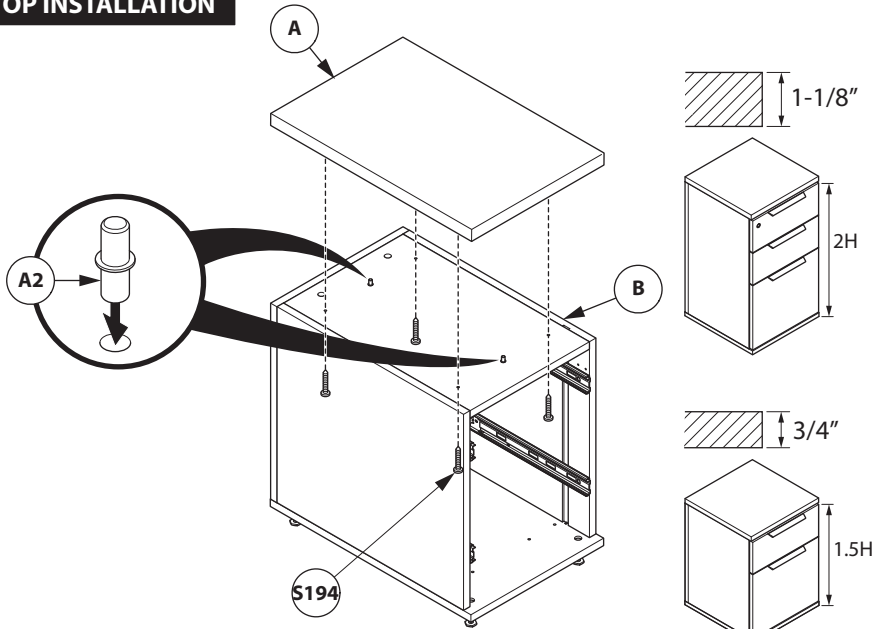
4



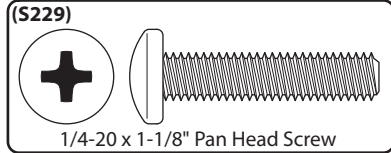
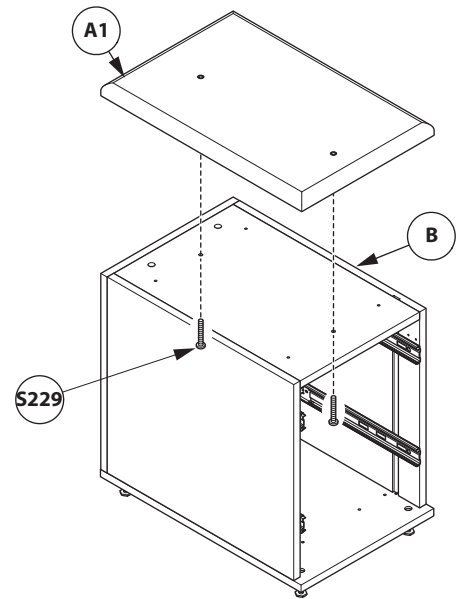
5



TOP INSTALLATION



CUSHION INSTALLATION



CUSTOMER SERVICE PHONE: 1-800-426-8562

HAWORTH

E.C.O. No: 781-431

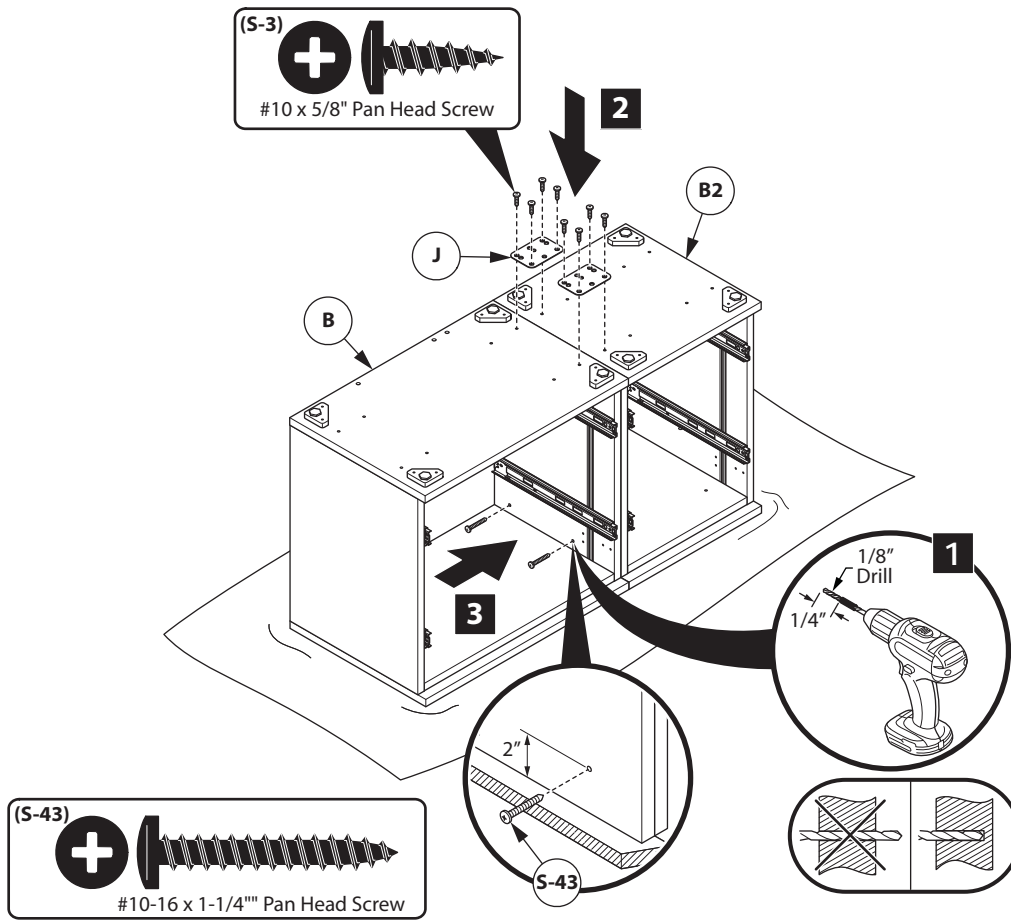
Page: 3 of 7

Part No: 6100-0124

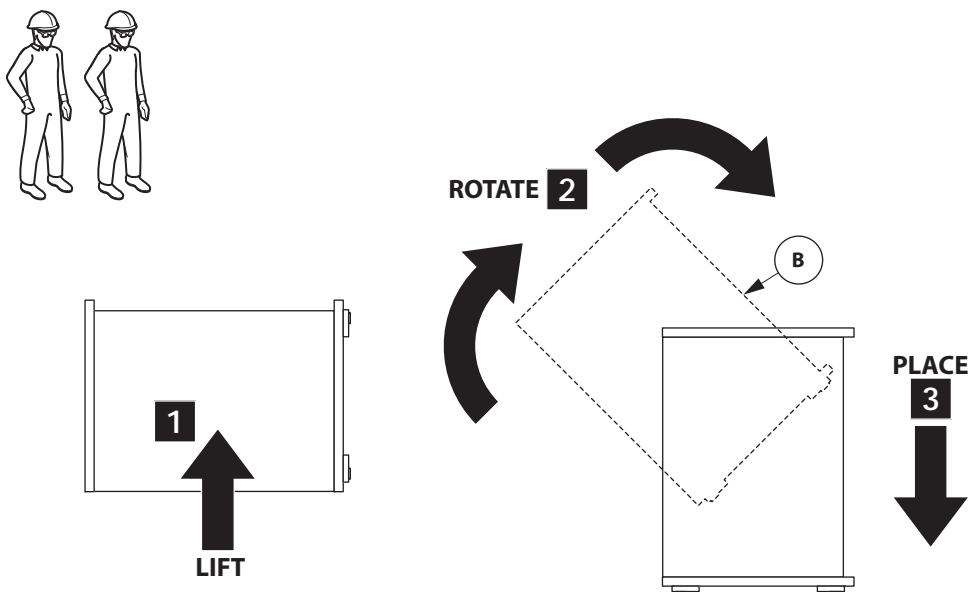
Rev: 1

GANGING INSTALLATION

1



2



CUSTOMER SERVICE PHONE: 1-800-426-8562

HAWORTH

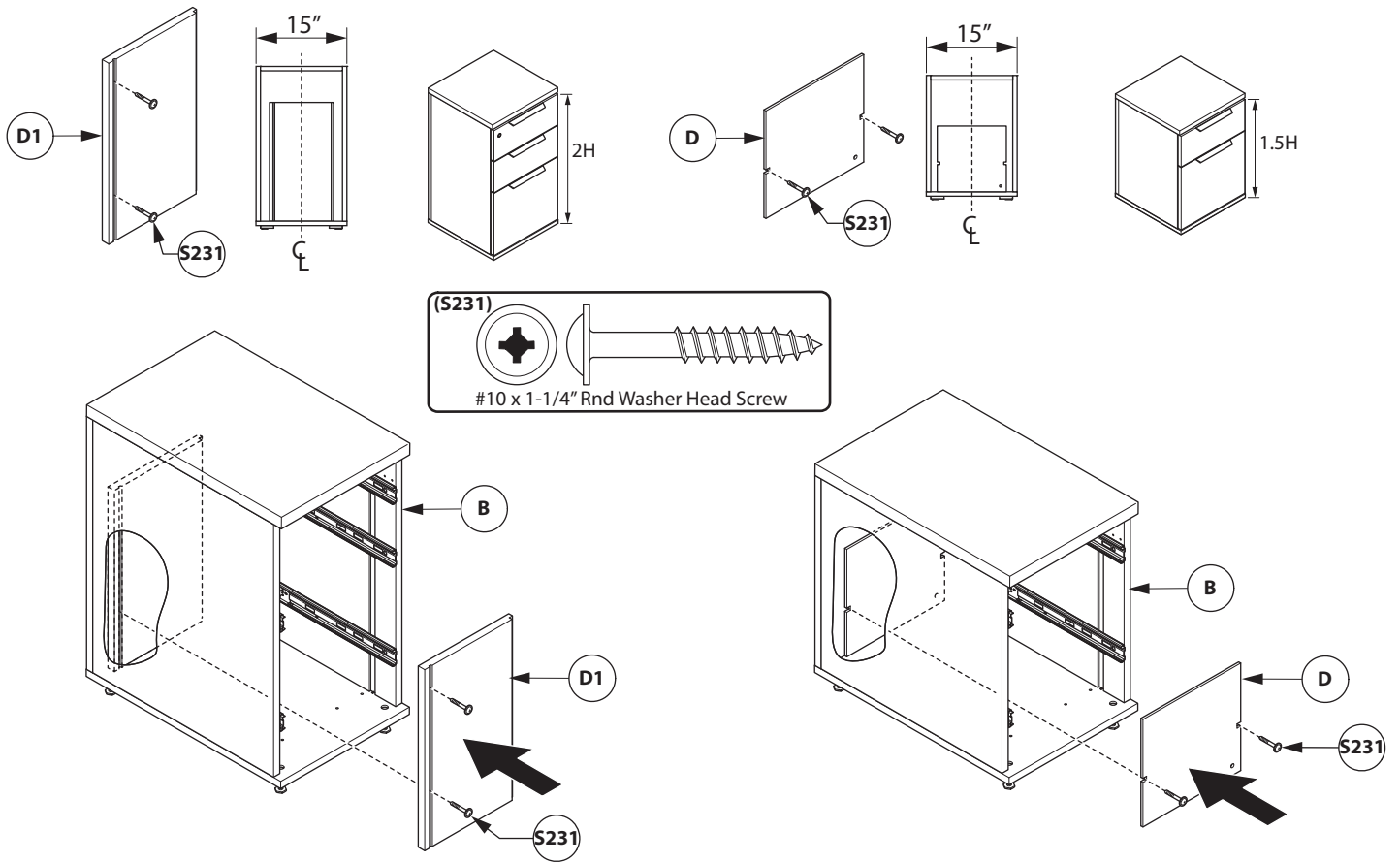
E.C.O. No: 781-431

Page: 4 of 7

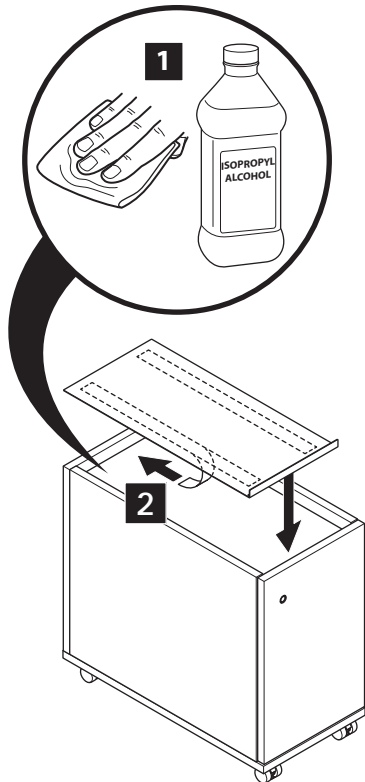
Part No: 6100-0124

Rev: 1

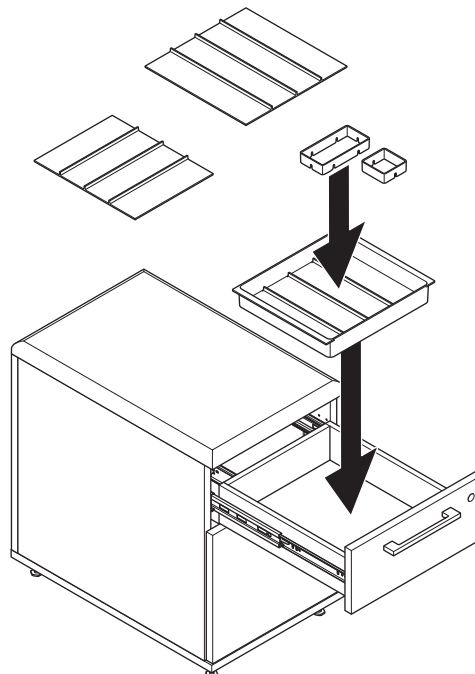
COUNTERWEIGHT INSTALLATION



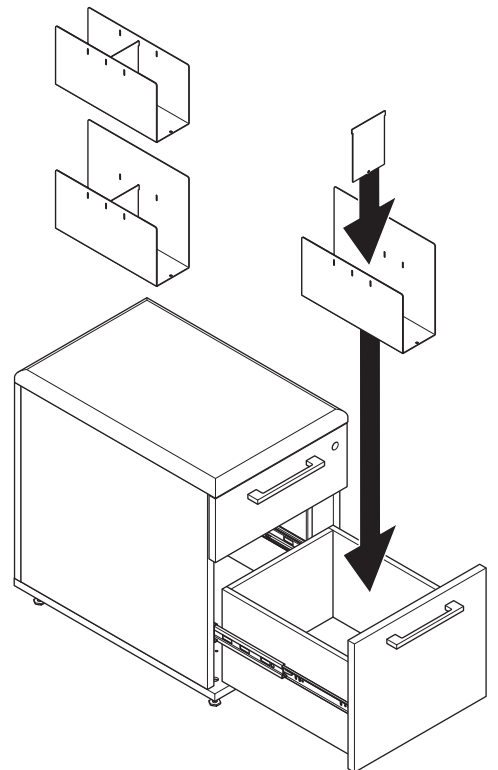
LINER INSTALLATION



DRAWER ORGANIZER INSTALLATION

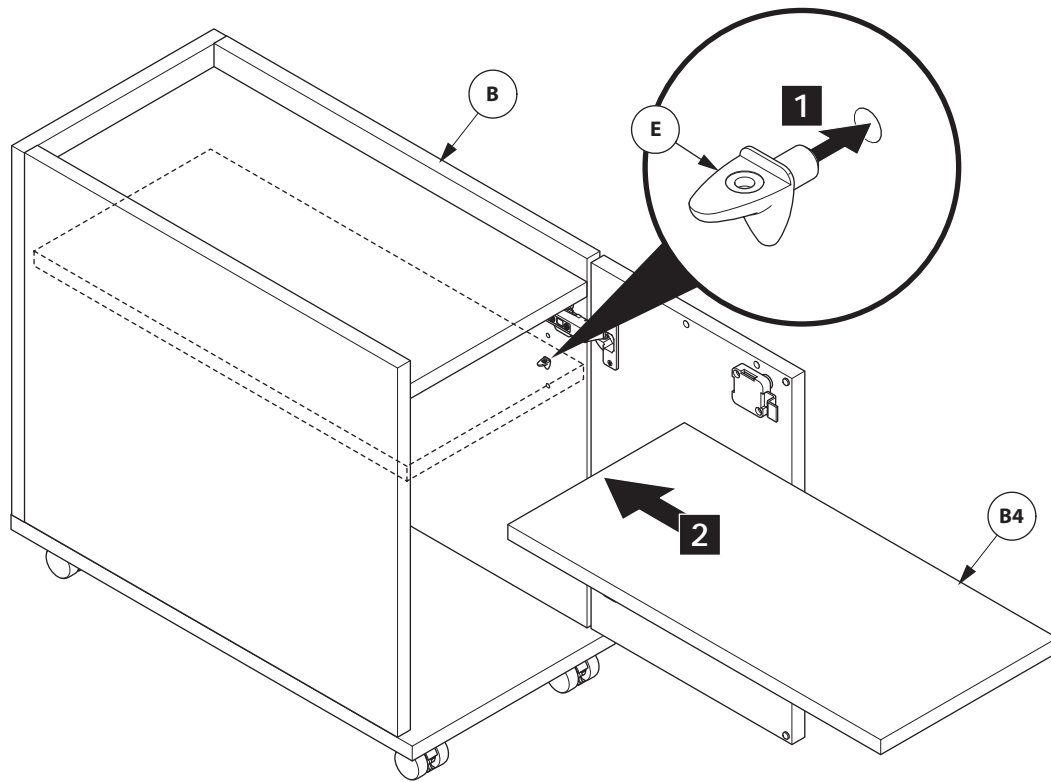


DRAWER DIVIDER INSTALLATION



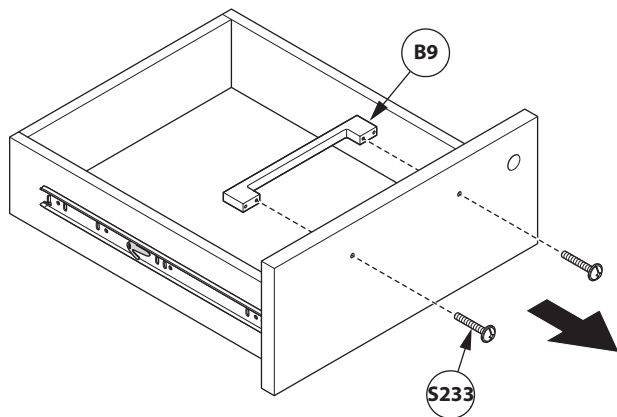
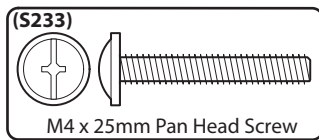
CUSTOMER SERVICE PHONE: 1-800-426-8562

SHELF INSTALLATION

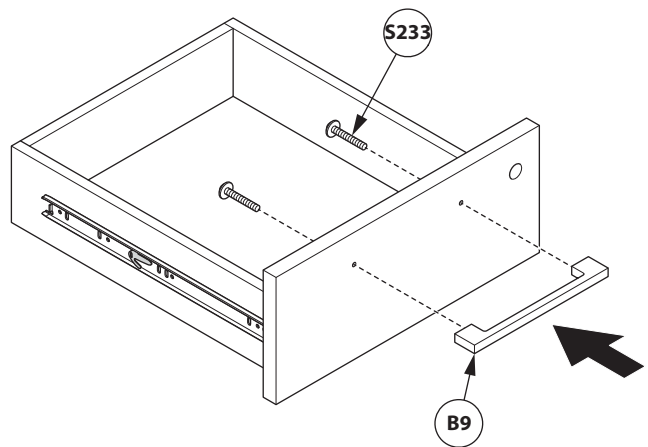


PULL INSTALLATION

1



2



CUSTOMER SERVICE PHONE: 1-800-426-8562

HAWORTH

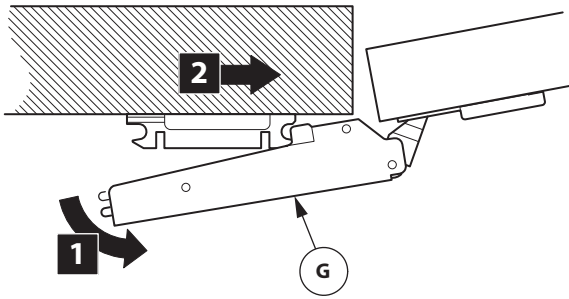
E.C.O. No: 781-431

Page: 6 of 7

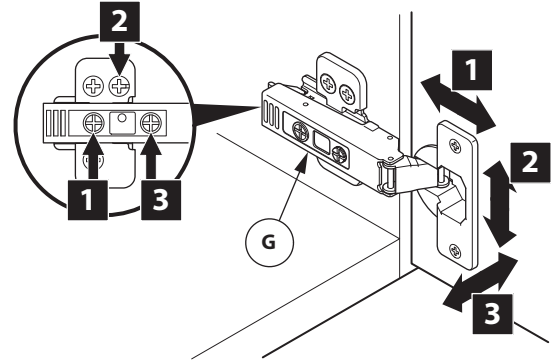
Part No: 6100-0124

Rev: 1

DOOR INSTALLATION/REMOVAL

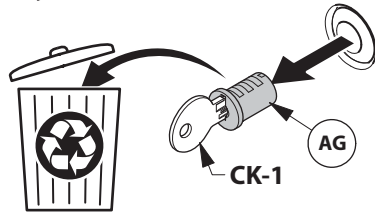


DOOR HINGE ADJUSTMENT



OPTIONAL LOCK PLUG INSTALLATION

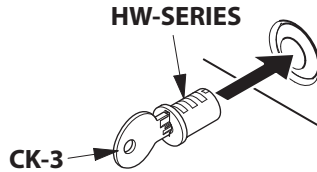
1 Remove shipping plug (AG) with round key (CK-1)



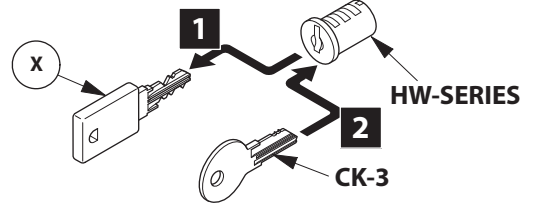
3 Install lock plug (HW-SERIES)

NOTE: Position cam to unlocked (12:00 o'clock position).

NOTE: It may be necessary to rotate cam until lock plug engages.



2 Replace square key (X) with round key (CK-3)



4 Remove round key (CK-3) and insert square key (X)

NOTE: Hold the lock plug (HW-SERIES) in place with thumb while removing the control key (CK-3).

