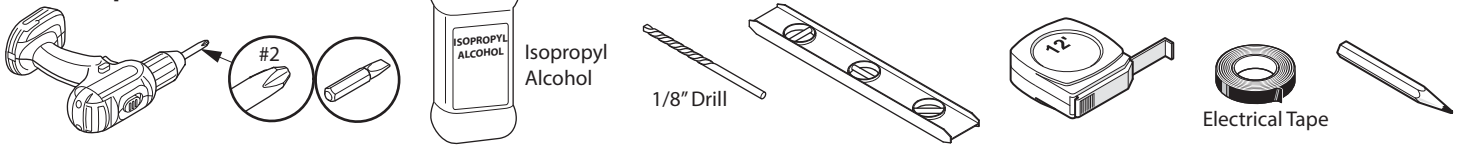
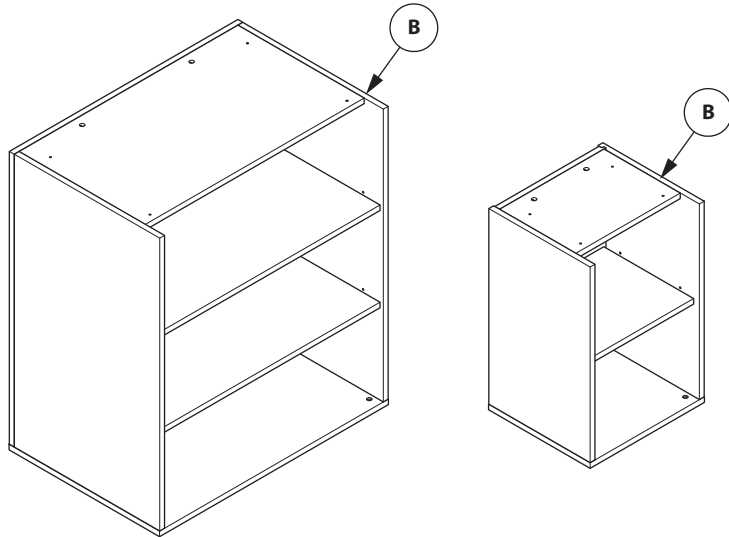


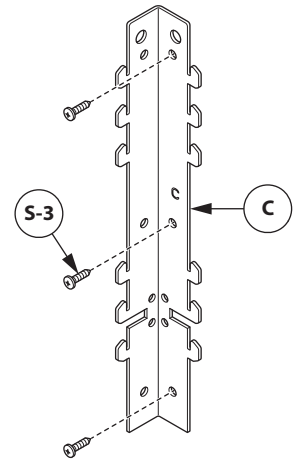
Tools Required



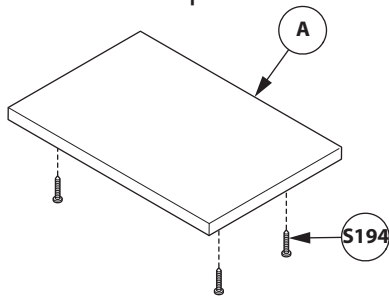
Bookcase



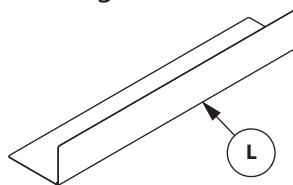
Panel Bracket



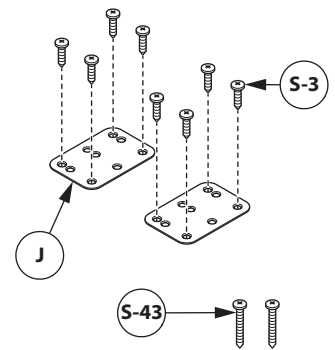
Top



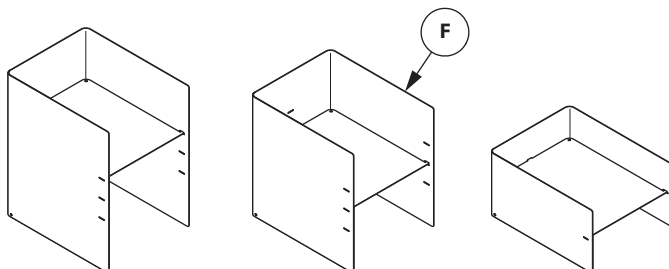
Bag Liner



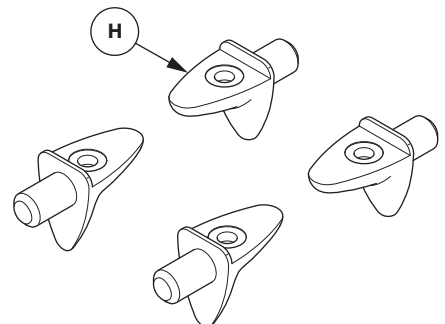
Ganging Kit



Cubby Shelves



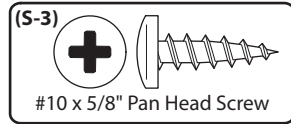
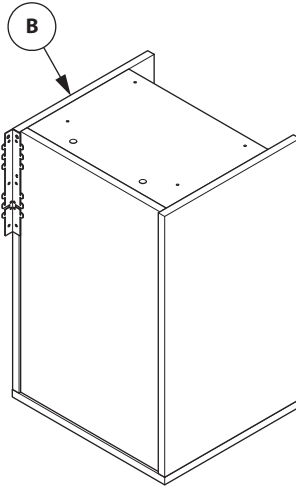
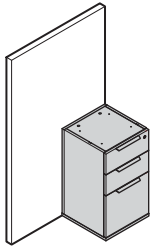
Shelf Pins



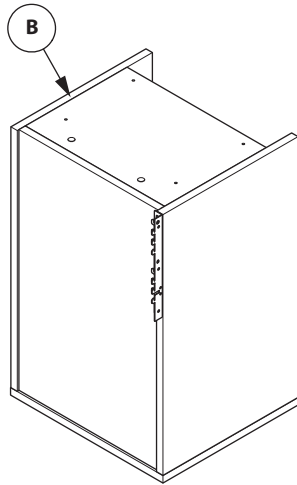
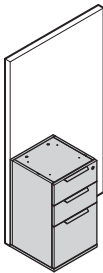
PANEL BRACKET INSTALLATION

1

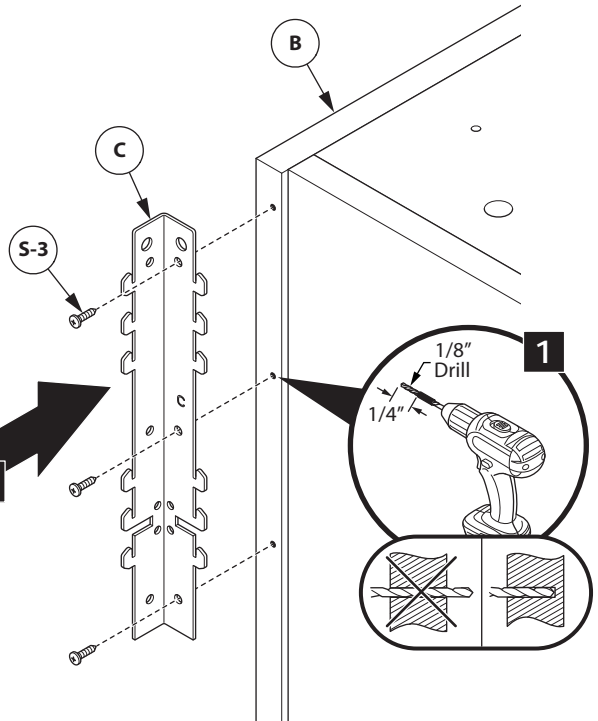
RIGHT HAND APPLICATION



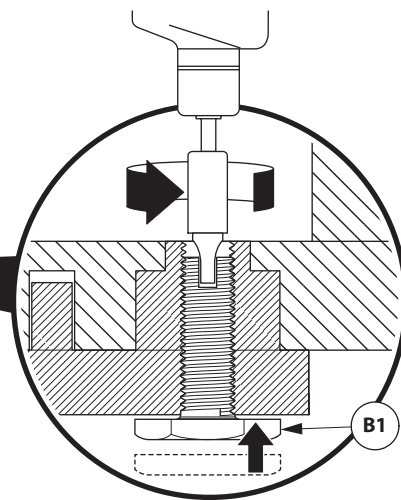
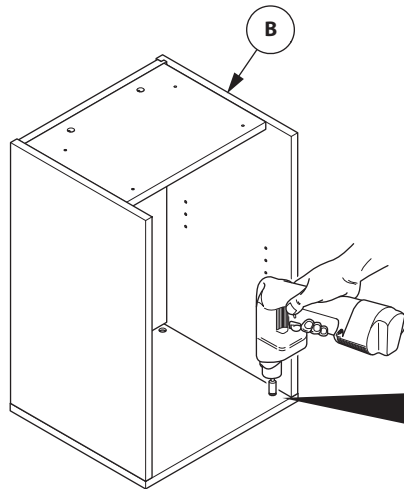
LEFT HAND APPLICATION



2



2



CUSTOMER SERVICE PHONE: 1-800-426-8562

HAWORTH

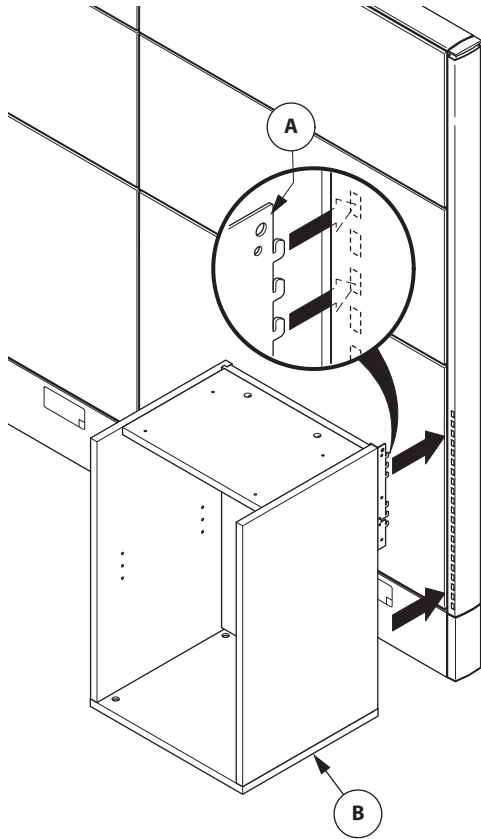
E.C.O. No: 781-431

Page: 2 of 5

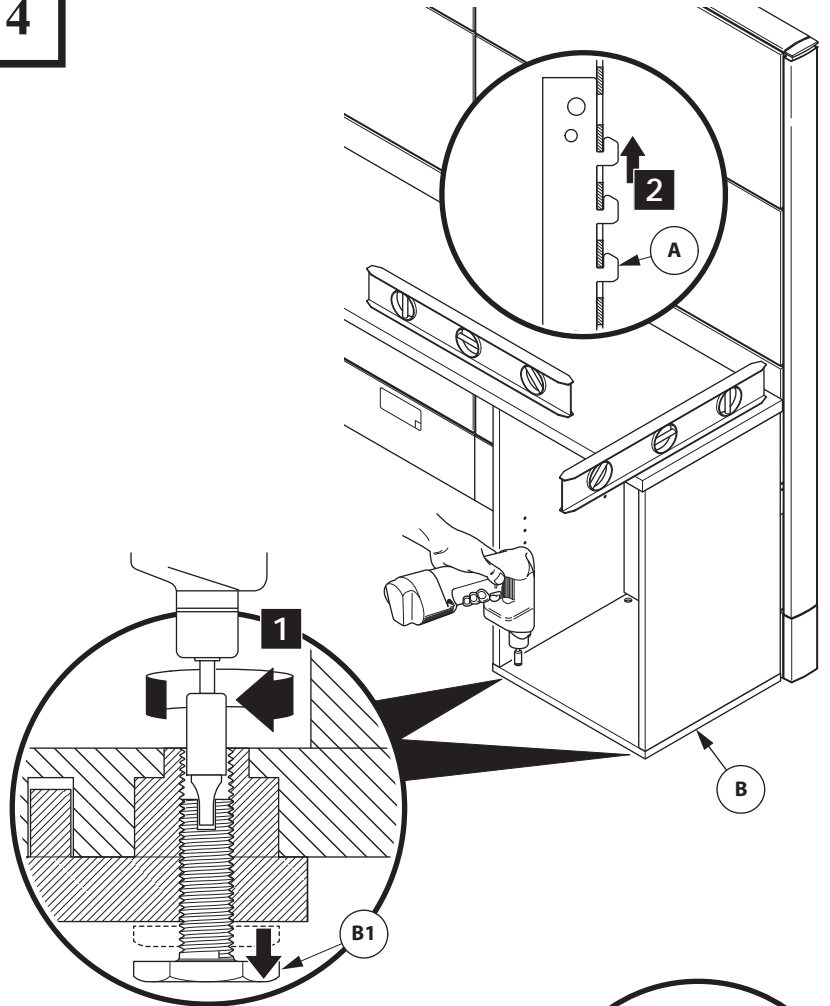
Part No: 6100-0129

Rev: 1

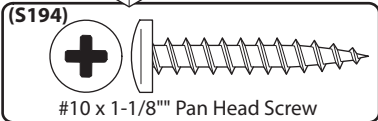
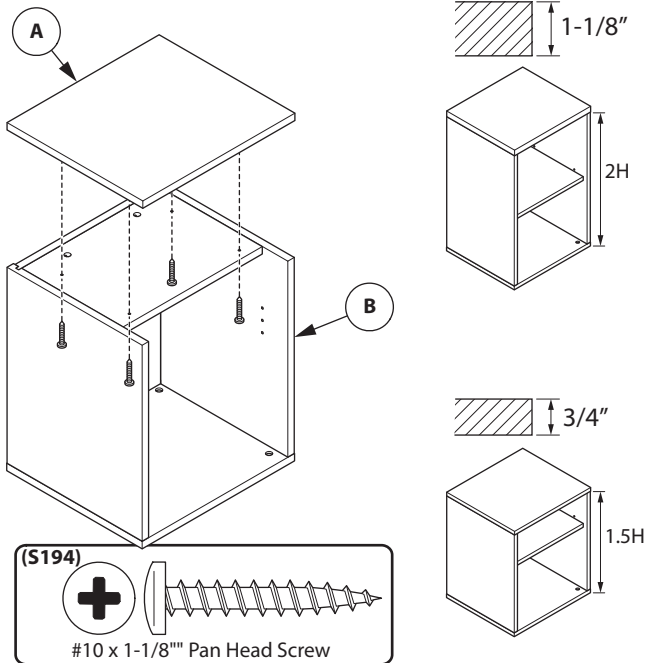
3



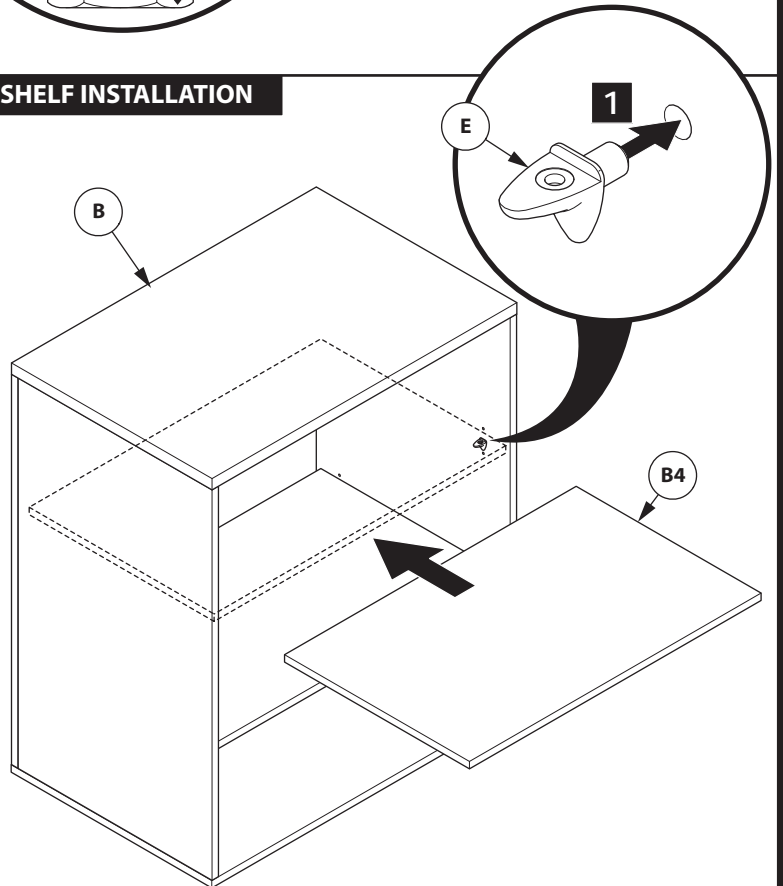
4



TOP INSTALLATION



SHELF INSTALLATION



CUSTOMER SERVICE PHONE: 1-800-426-8562

HAWORTH

E.C.O. No: 781-431

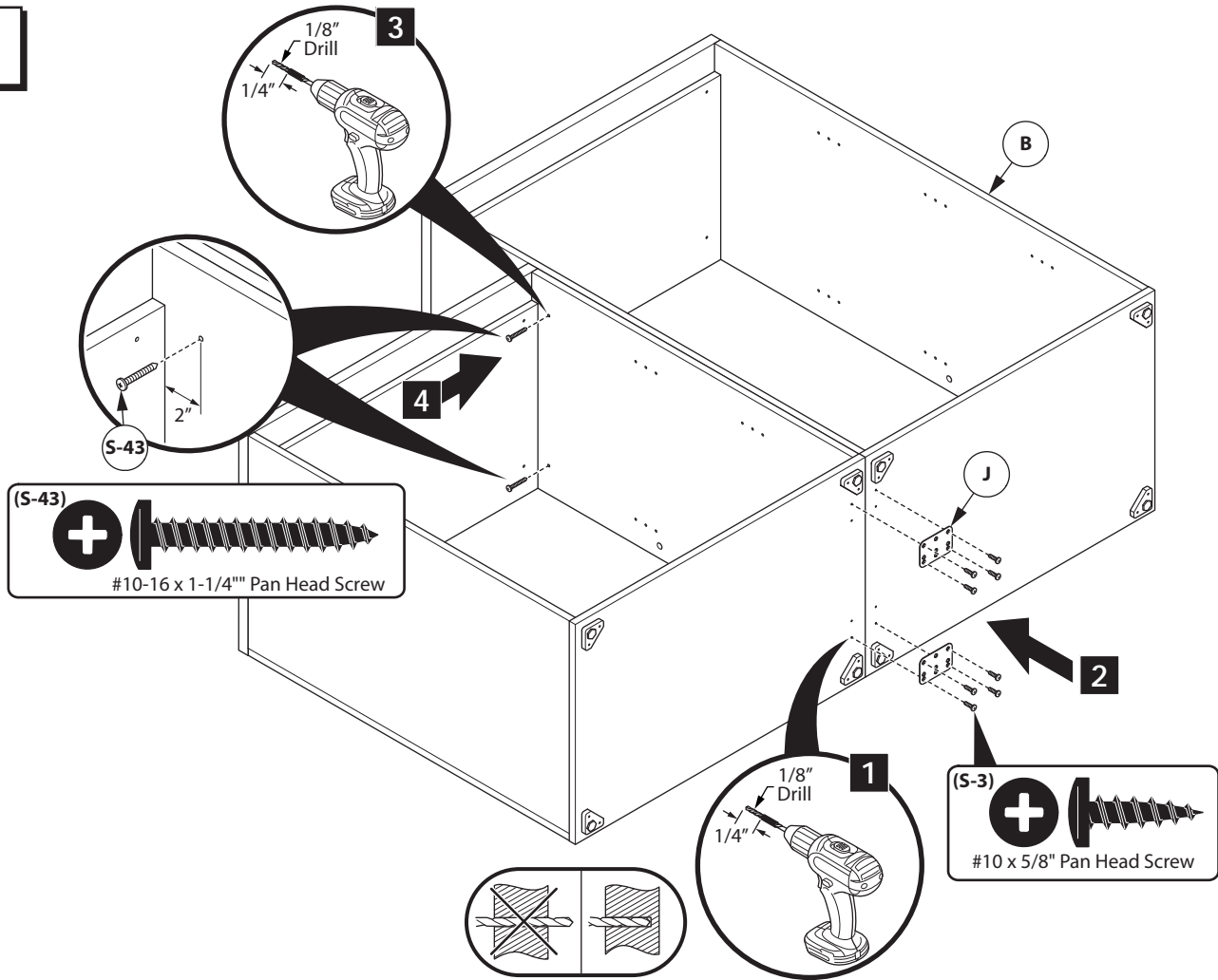
Page: 3 of 5

Part No: 6100-0129

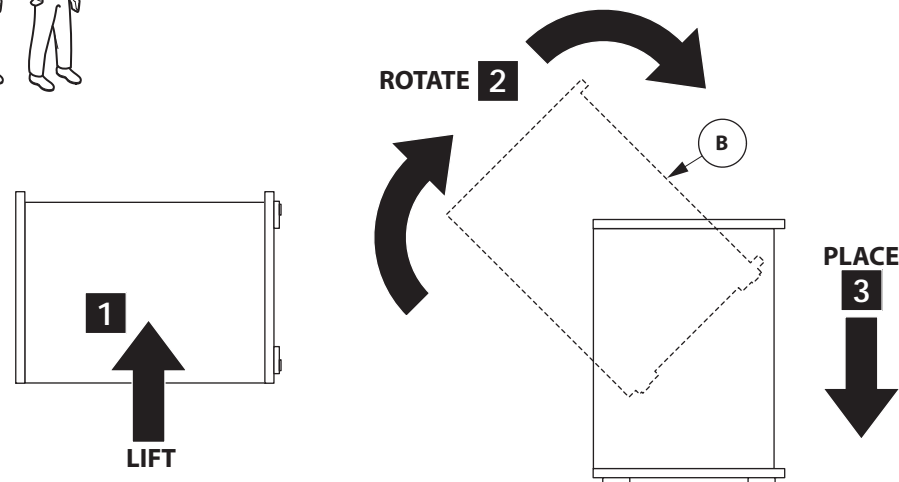
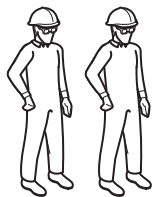
Rev: 1

GANGING INSTALLATION

1



2



CUSTOMER SERVICE PHONE: 1-800-426-8562

HAWORTH

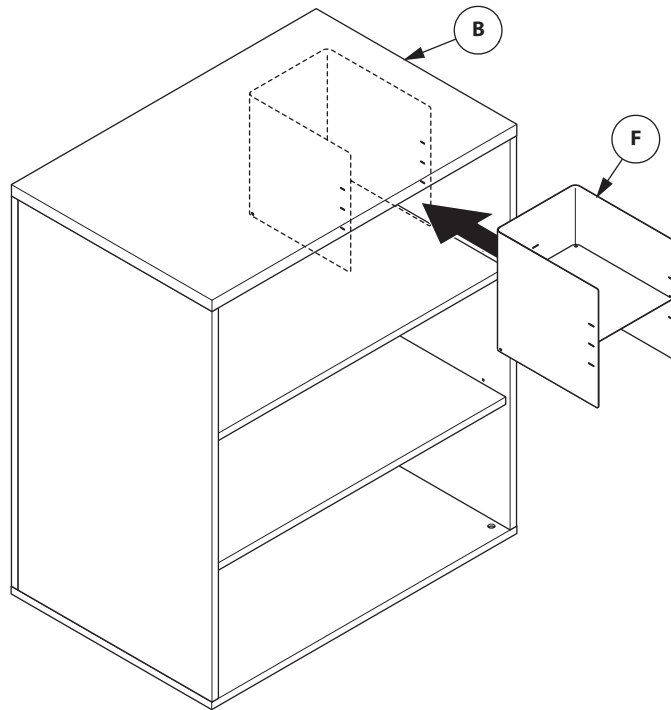
E.C.O. No: 781-431

Page: 4 of 5

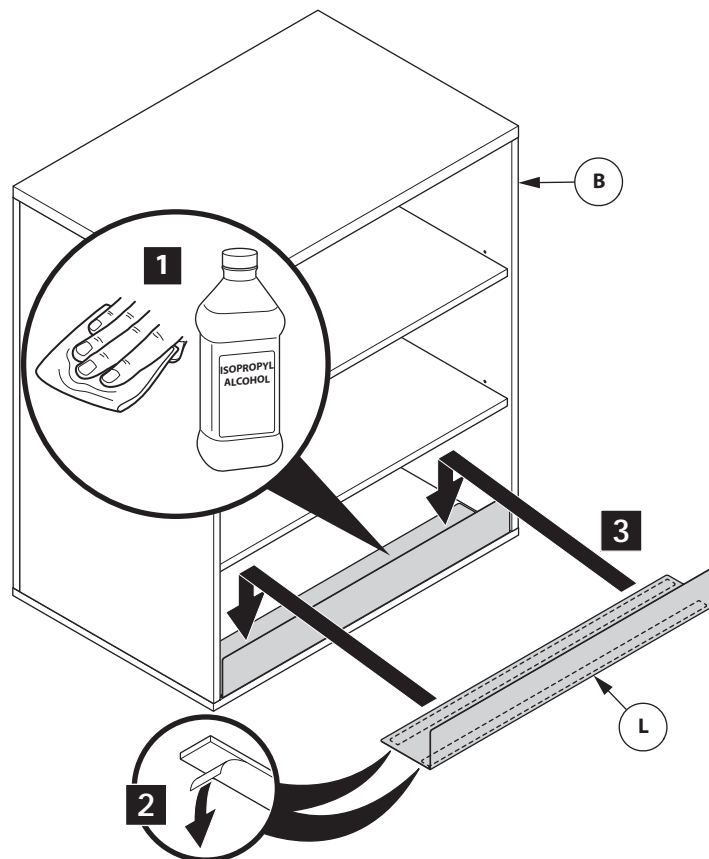
Part No: 6100-0129

Rev: 1

CUBBY SHELVES INSTALLATION



BAG LINER INSTALLATION



CUSTOMER SERVICE PHONE: 1-800-426-8562

HAWORTH

E.C.O. No: 781-431

Page: 5 of 5

Part No: 6100-0129

Rev: 1