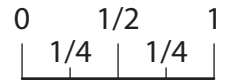


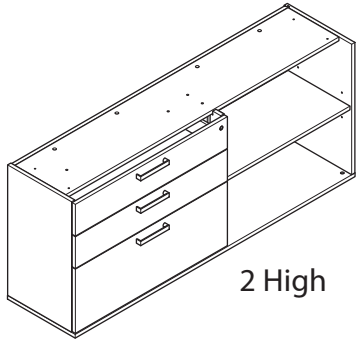
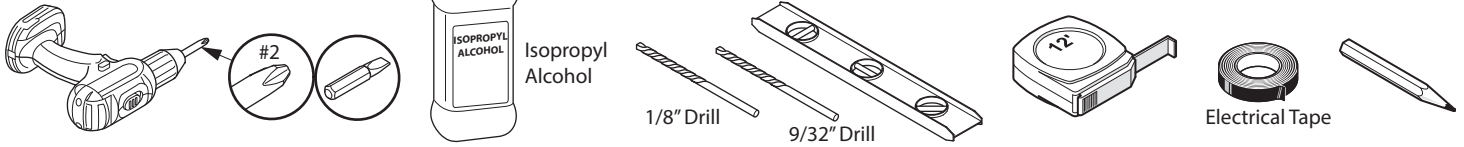
BE_HOLD™

Credenza & Accessories
Installation Instructions

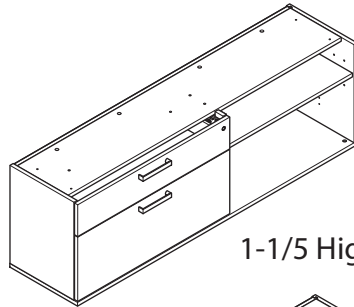


Scale 1 : 1

Tools Required

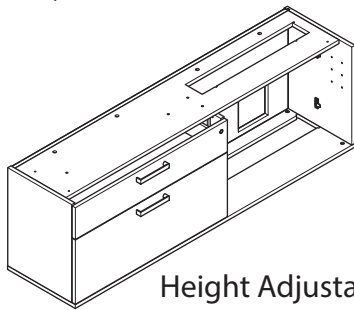
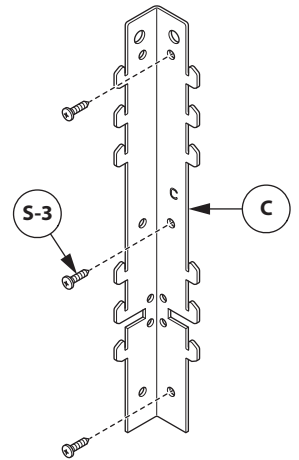


2 High

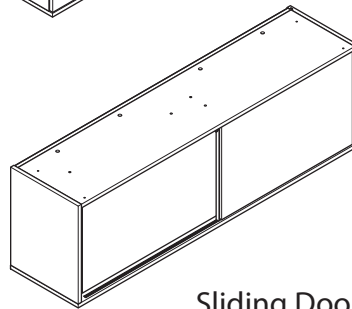


1-1/5 High

Panel Bracket

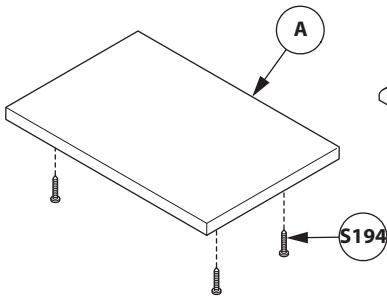


Height Adjustable

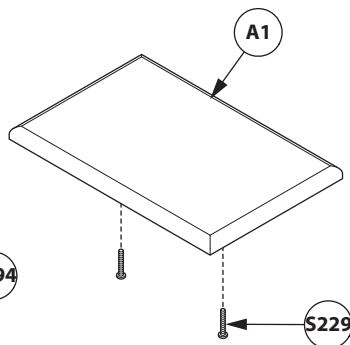


Sliding Door

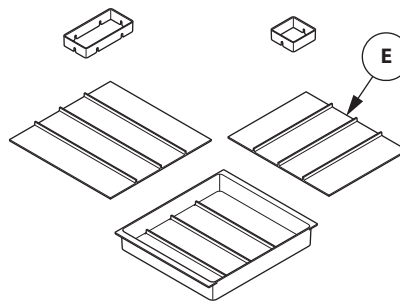
Top



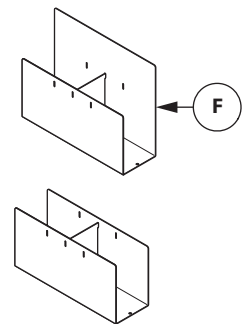
Cushion



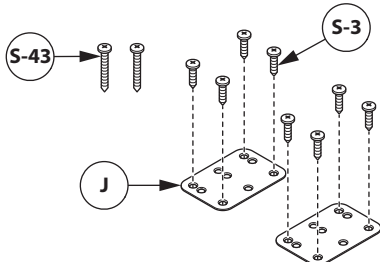
Drawer organizers



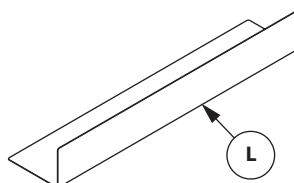
Drawer Dividers



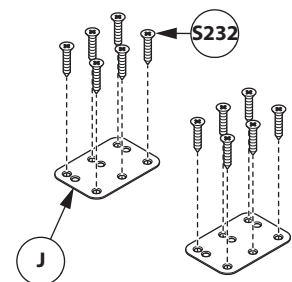
Ganging Kit



Bag Liner



Ganging Kit



CUSTOMER SERVICE PHONE: 1-800-426-8562

HAWORTH

E.C.O. No: 5_45812

Page: 1 of 19

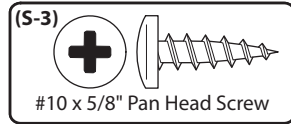
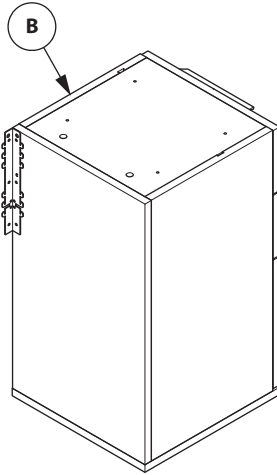
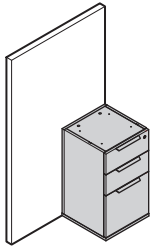
Part No: 6100-0132

Rev: 8

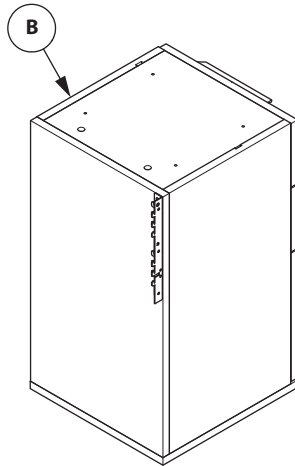
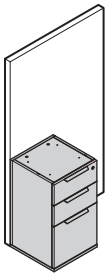
PANEL BRACKET INSTALLATION

1

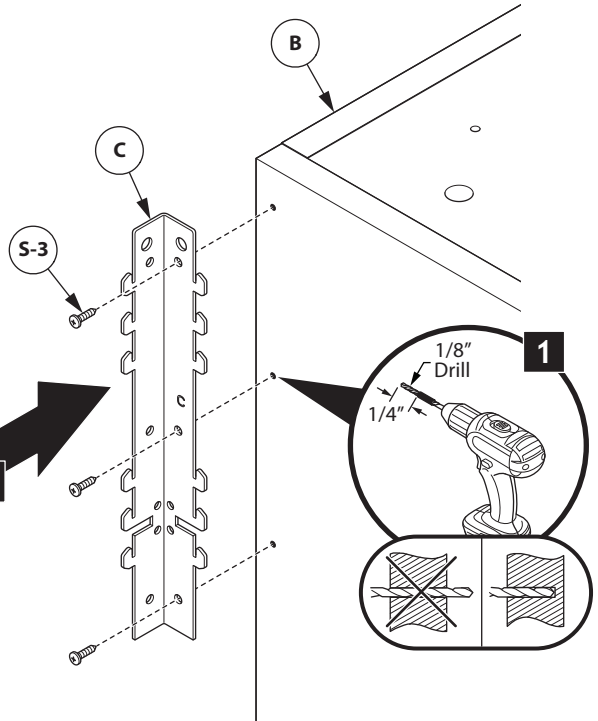
RIGHT HAND APPLICATION



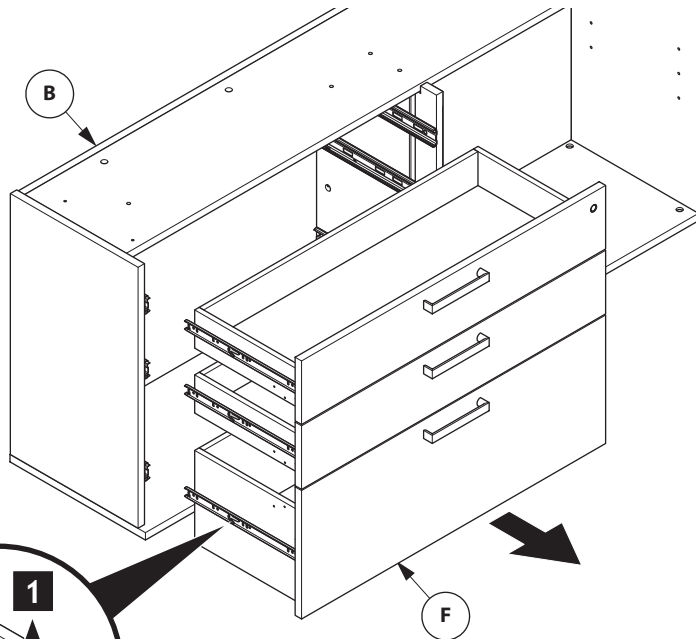
LEFT HAND APPLICATION



2



2



CUSTOMER SERVICE PHONE: 1-800-426-8562

HAWORTH

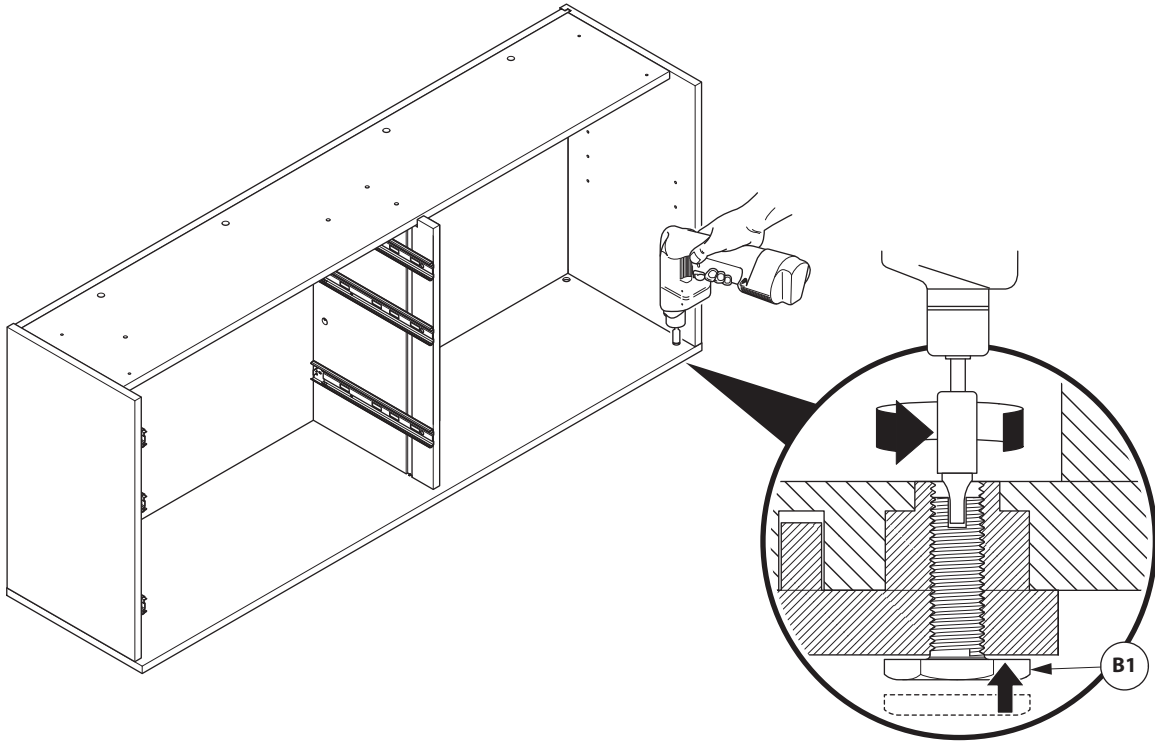
E.C.O. No: 5_45812

Page: 2 of 19

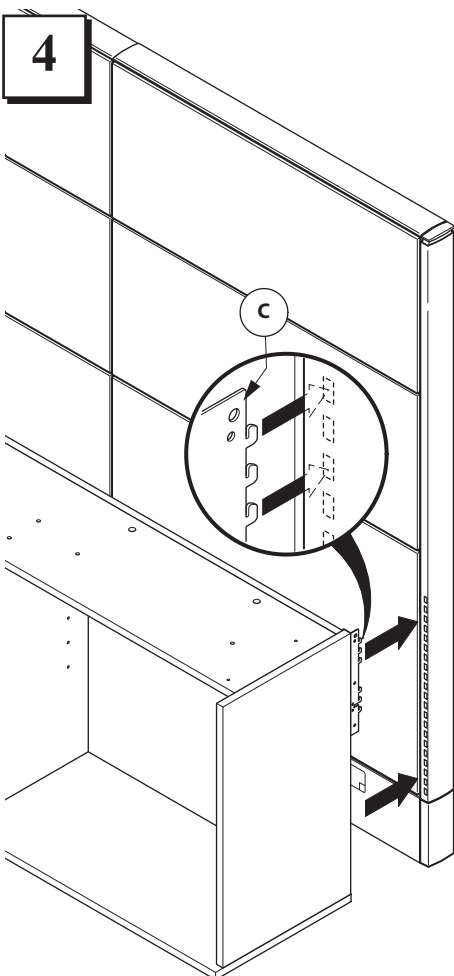
Part No: 6100-0132

Rev: 8

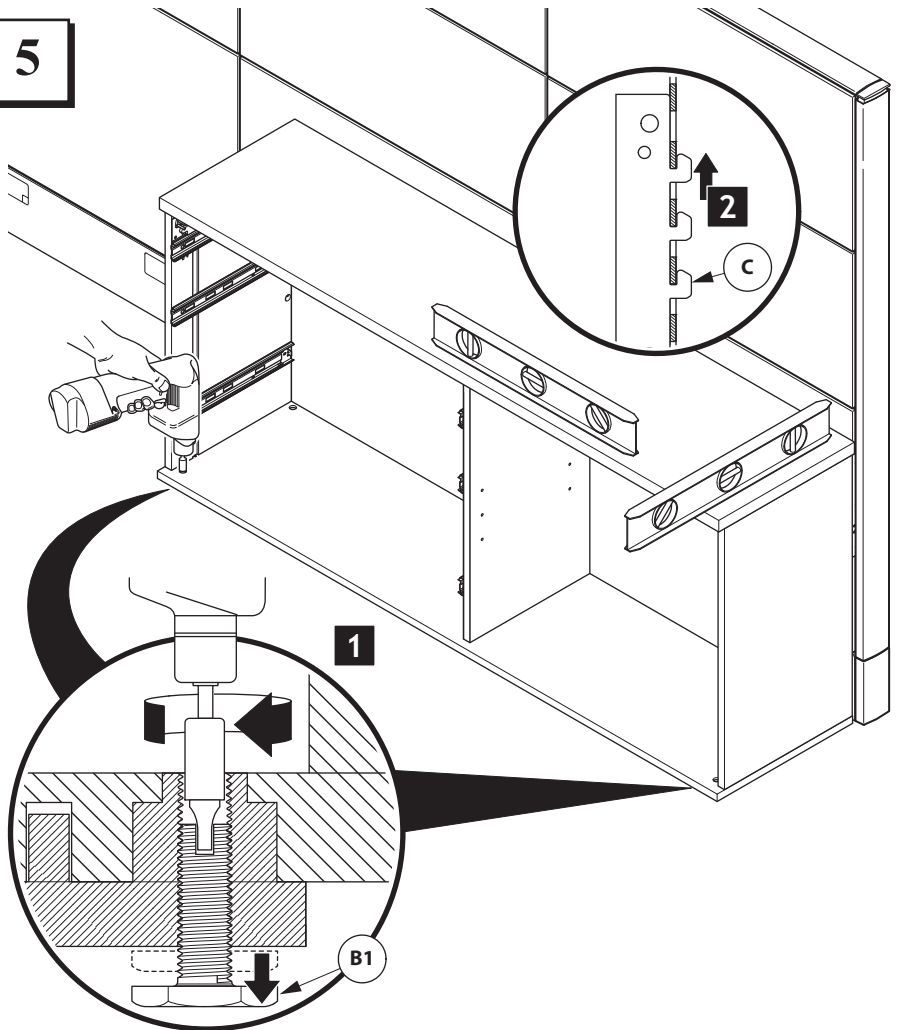
3



4



5



CUSTOMER SERVICE PHONE: 1-800-426-8562

HAWORTH

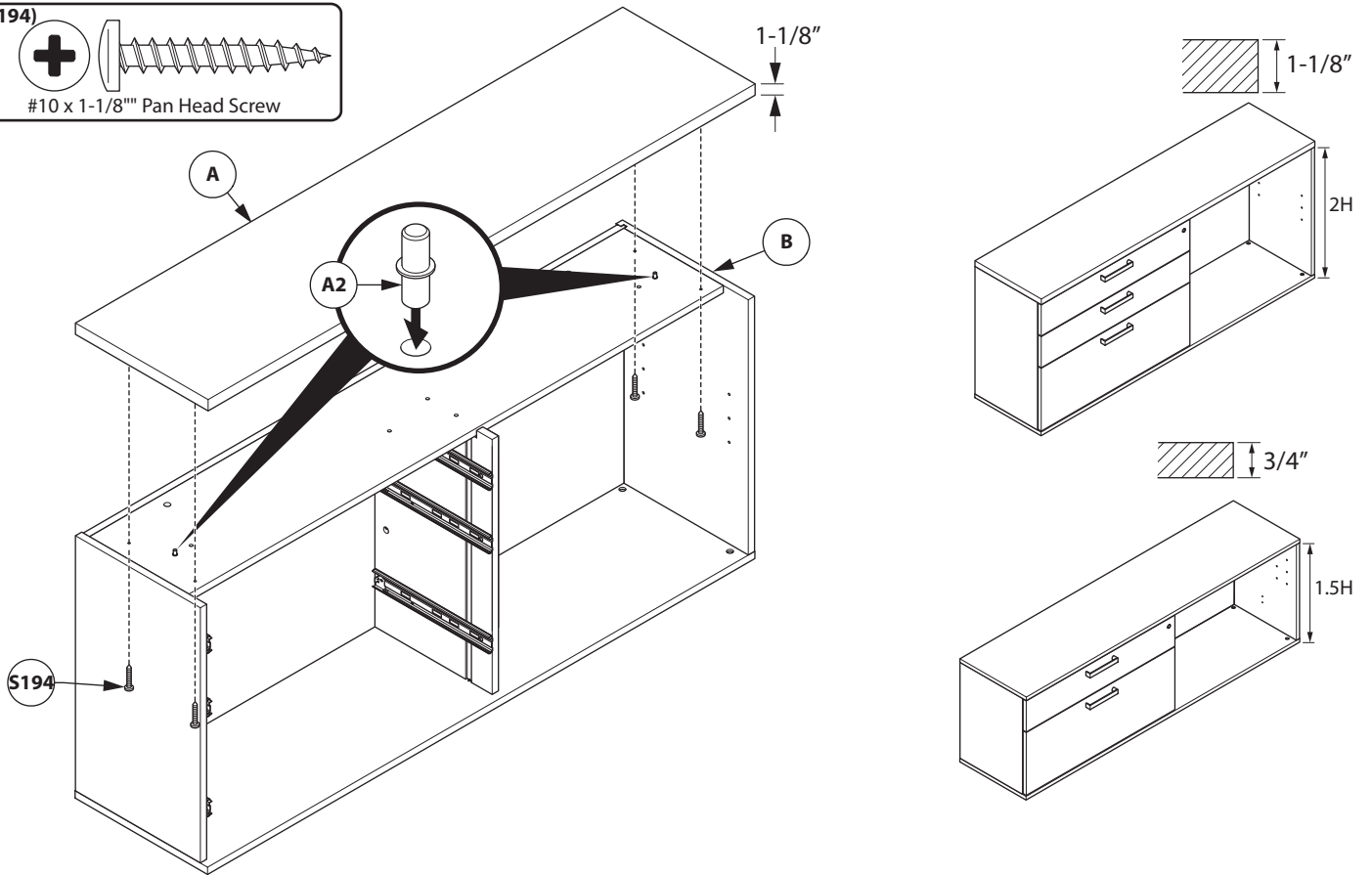
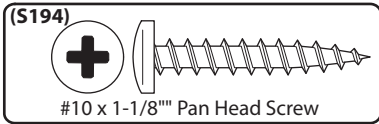
E.C.O. No: 5_45812

Page: 3 of 19

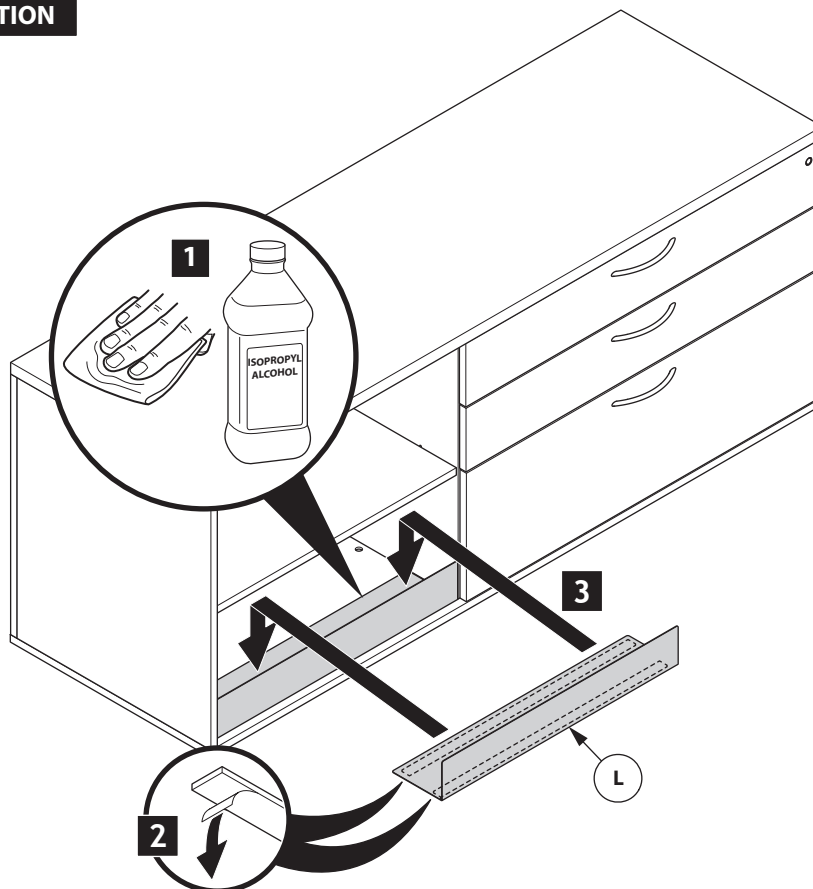
Part No: 6100-0132

Rev: 8

TOP INSTALLATION



BAG LINER INSTALLATION



CUSTOMER SERVICE PHONE: 1-800-426-8562

HAWORTH

E.C.O. No: 5_45812

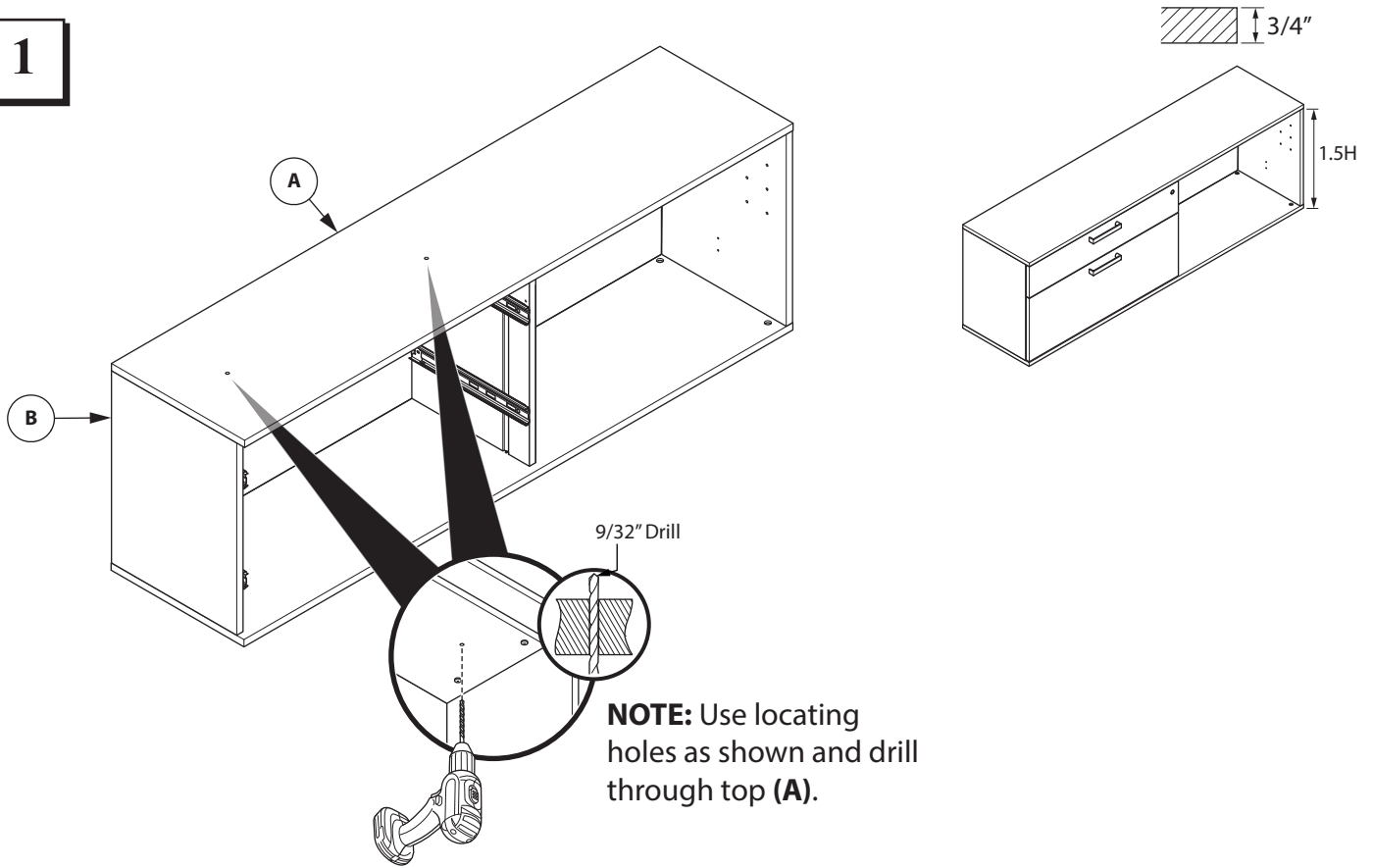
Page: 4 of 19

Part No: 6100-0132

Rev: 8

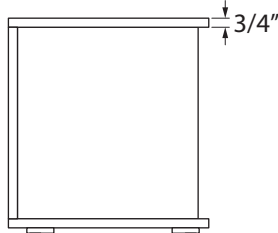
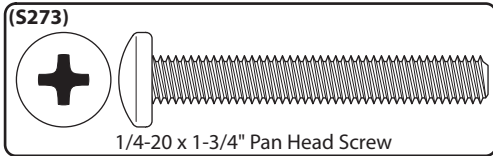
CUSHION INSTALLATION

1

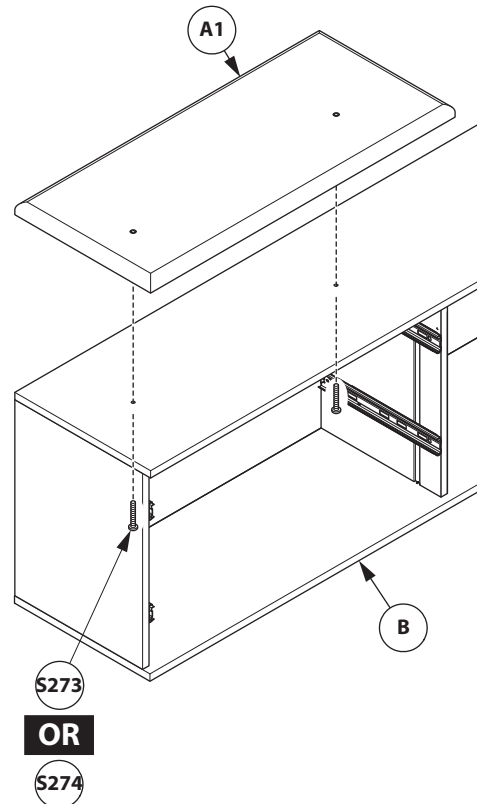
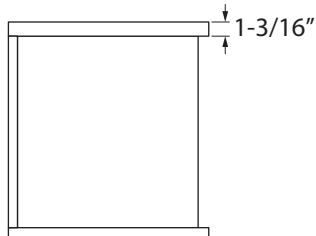
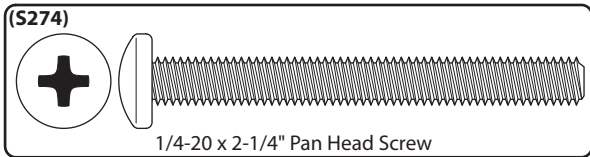
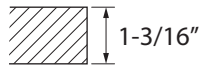


2

NOTE: Screw (S273) is used with 3/4" top. **(provided)**



NOTE: Screw (S274) is used with 1-3/16" top. **(not provided)**



NOTE: If required, go to local hardware store and purchase similar screws (S274).

CUSTOMER SERVICE PHONE: 1-800-426-8562

HAWORTH

E.C.O. No: 5_45812

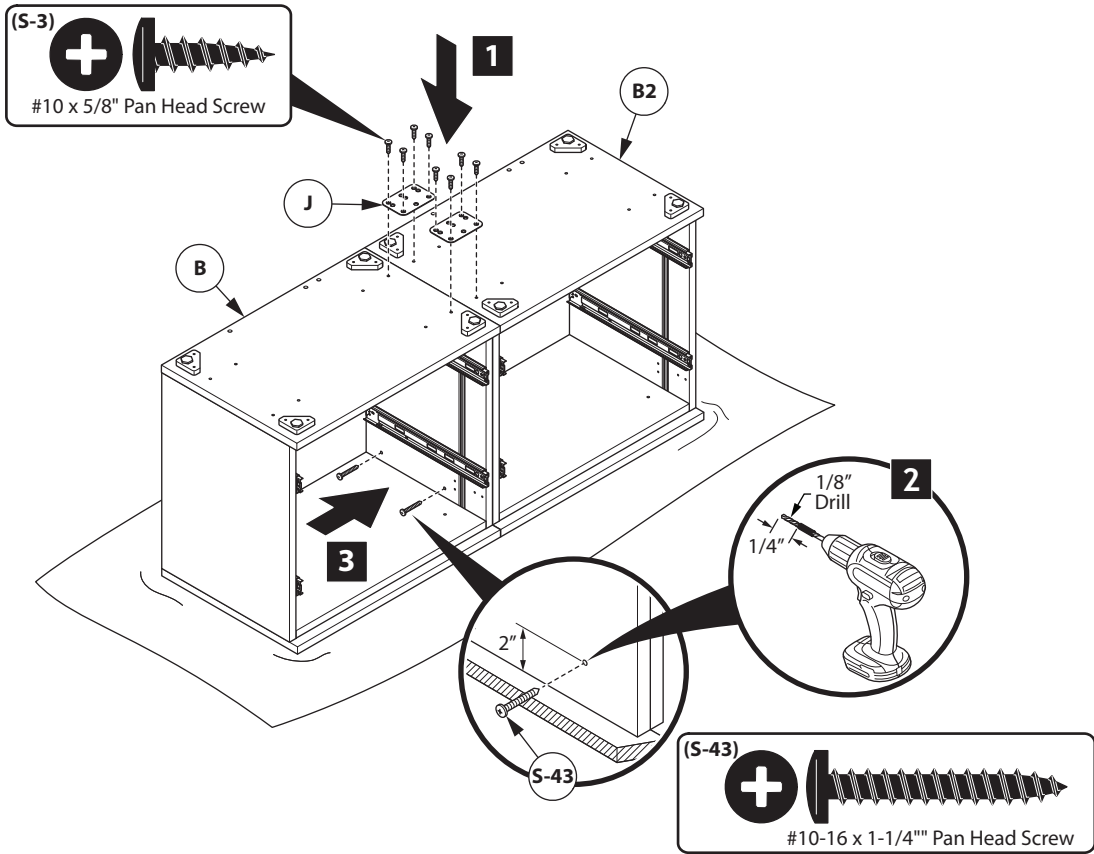
Page: 5 of 19

Part No: 6100-0132

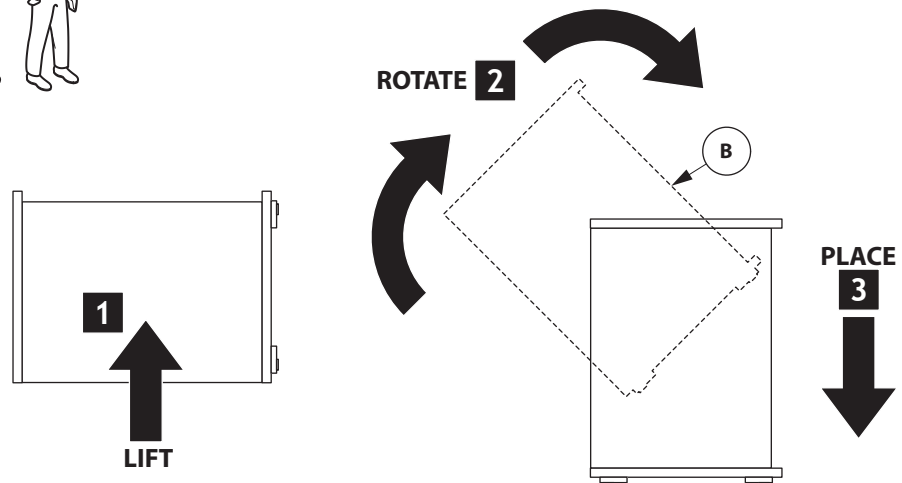
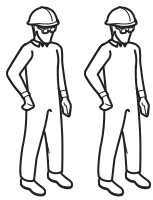
Rev: 8

GANGING INSTALLATION

1



2



CUSTOMER SERVICE PHONE: 1-800-426-8562

HAWORTH

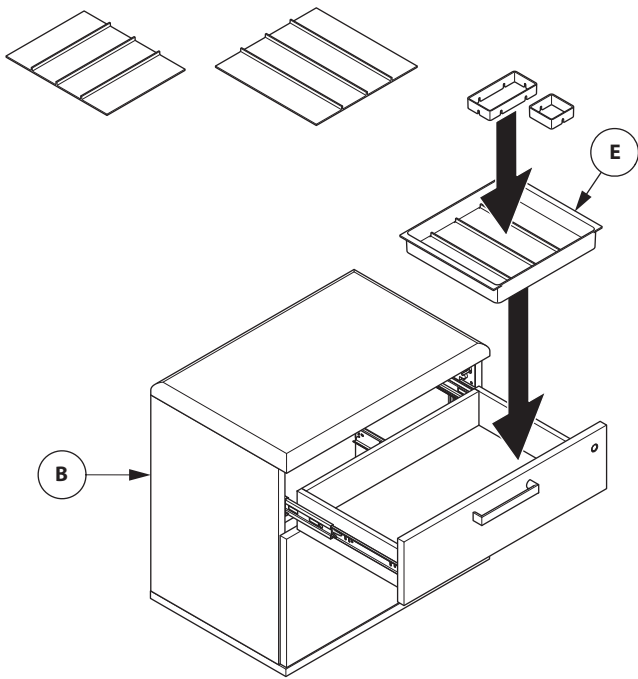
E.C.O. No: 5_45812

Page: 6 of 19

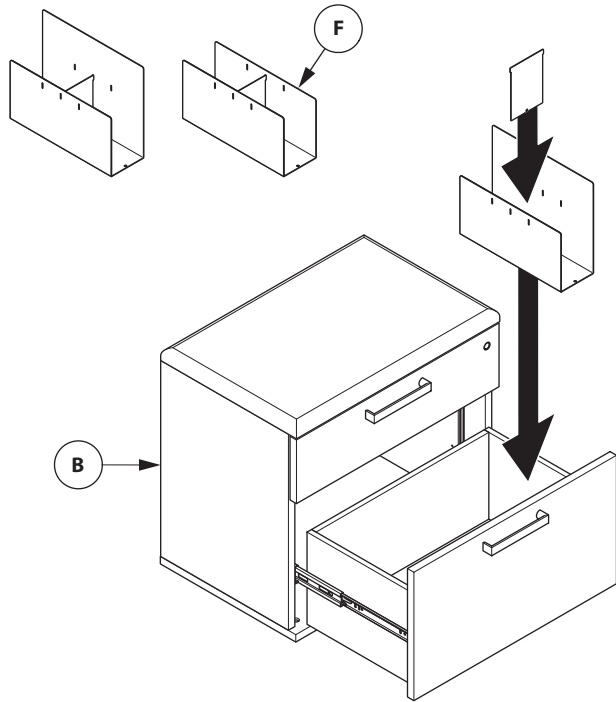
Part No: 6100-0132

Rev: 8

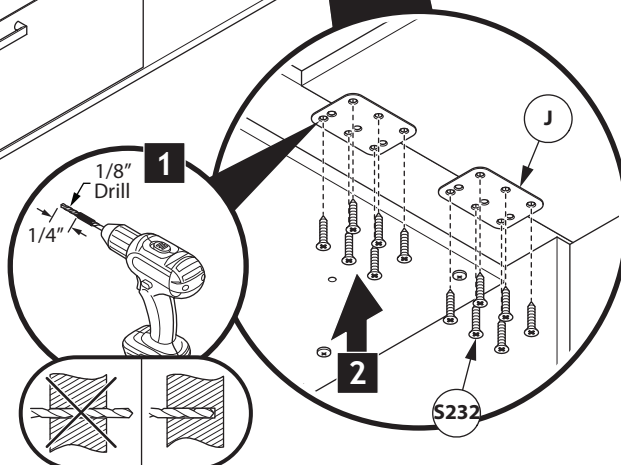
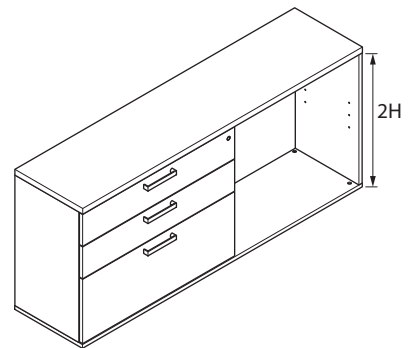
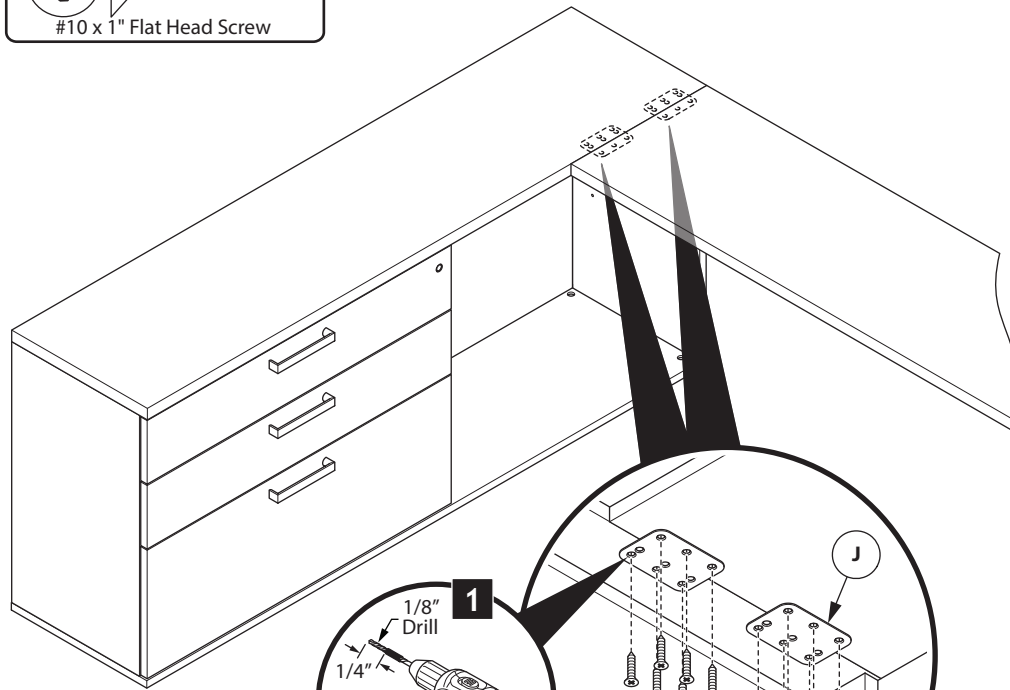
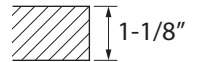
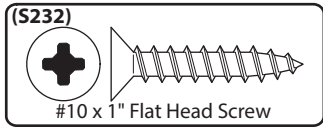
DRAWER ORGANZER INSTALLATION



DRAWER DIVIDER INSTALLATION



GANGING INSTALLATION



CUSTOMER SERVICE PHONE: 1-800-426-8562

HAWORTH

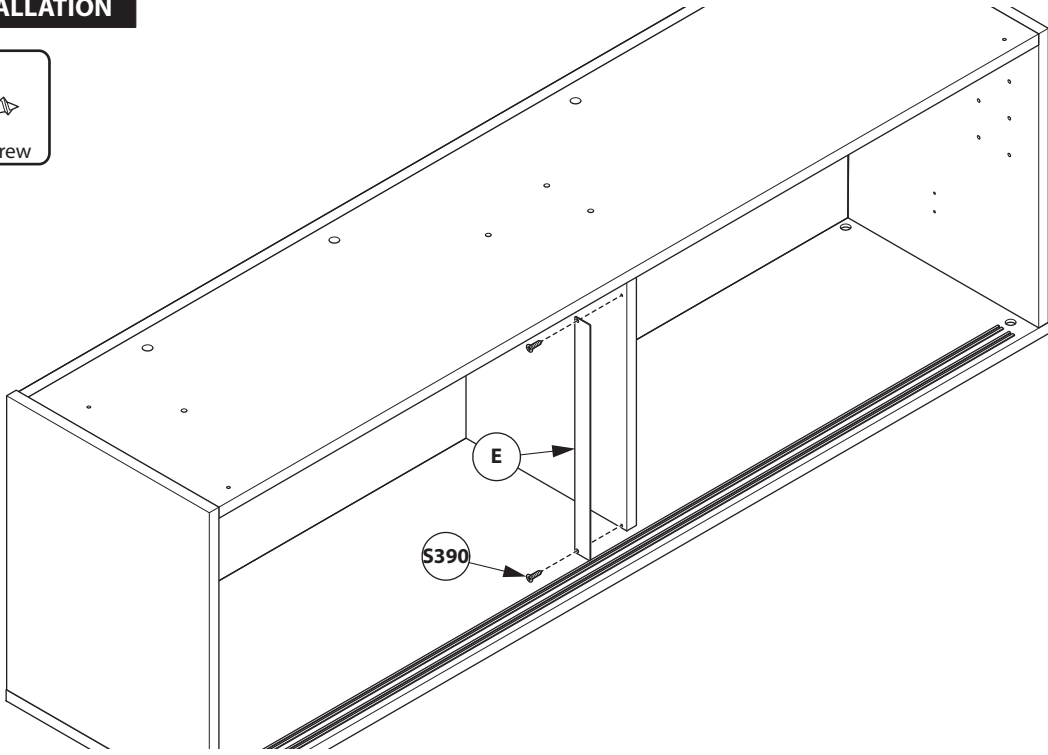
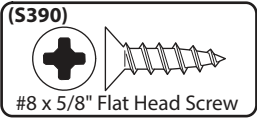
E.C.O. No: 5_45812

Page: 7 of 19

Part No: 6100-0132

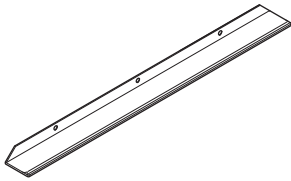
Rev: 8

LIGHTBLOCK INSTALLATION

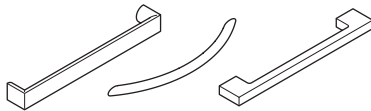
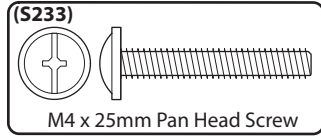


PULL OPTIONS

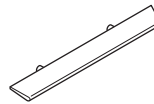
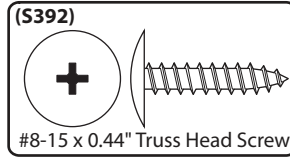
BLADE PULL



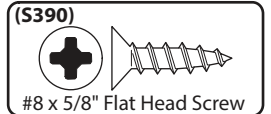
CLASSIC PULL



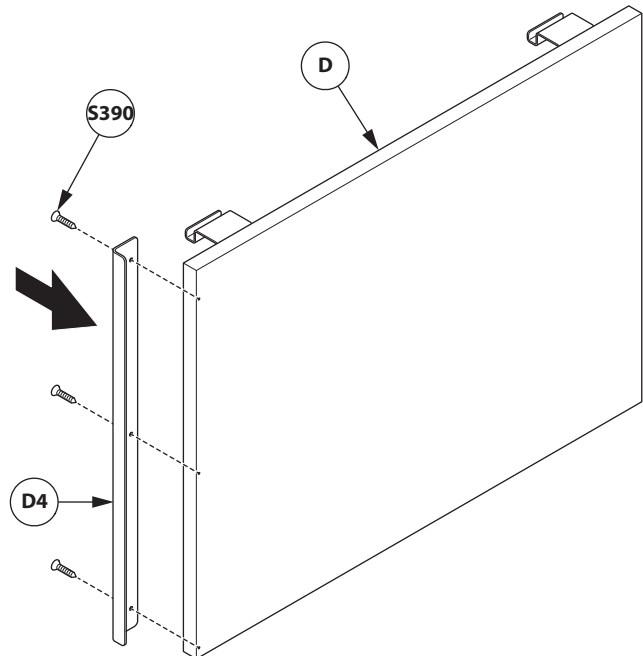
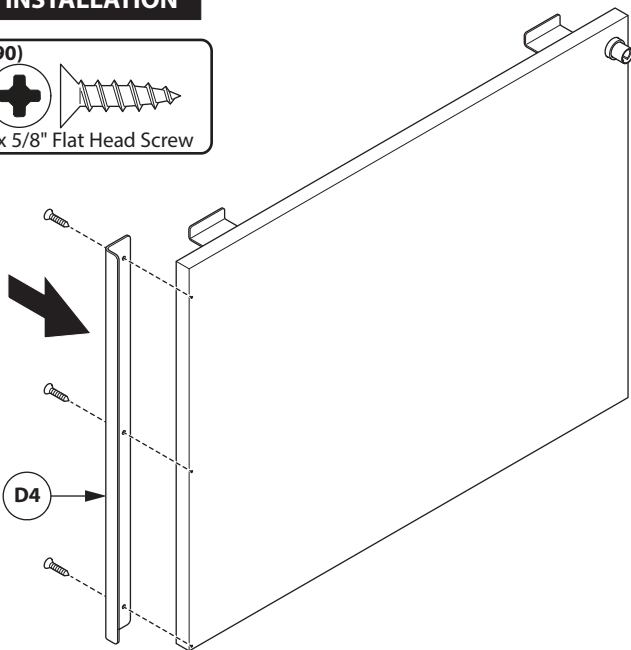
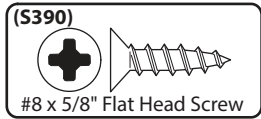
WING PULL



CREDENZA/OSU PULL

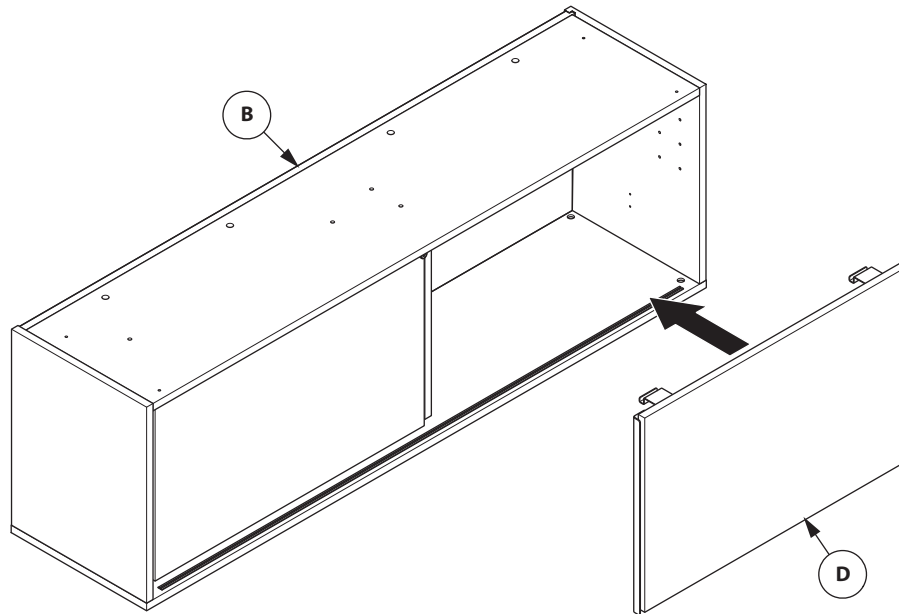


PULL INSTALLATION

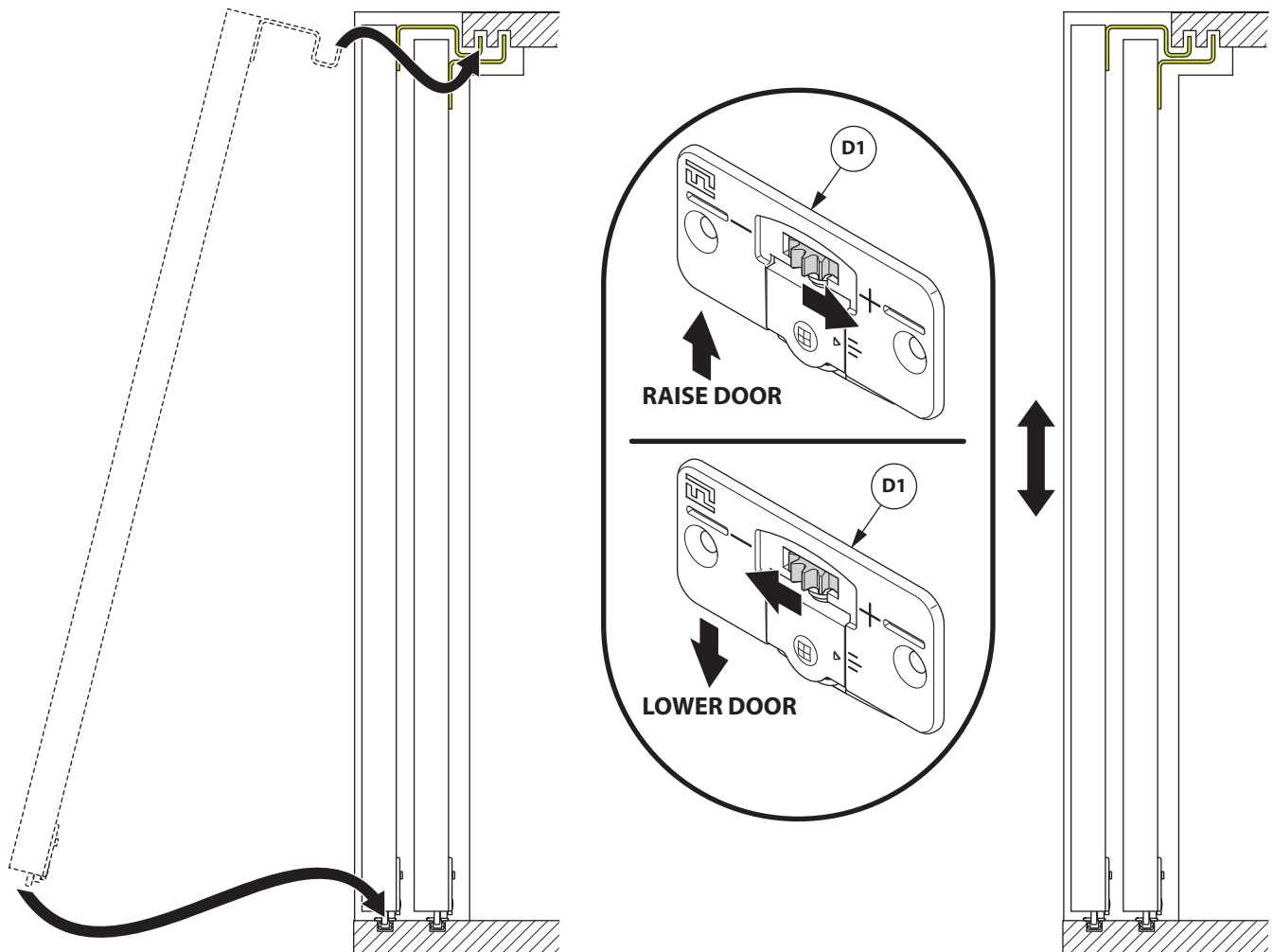


CUSTOMER SERVICE PHONE: 1-800-426-8562

SLIDING DOOR INSTALLATION



SLIDING DOOR ADJUSTMENT



CUSTOMER SERVICE PHONE: 1-800-426-8562

HAWORTH

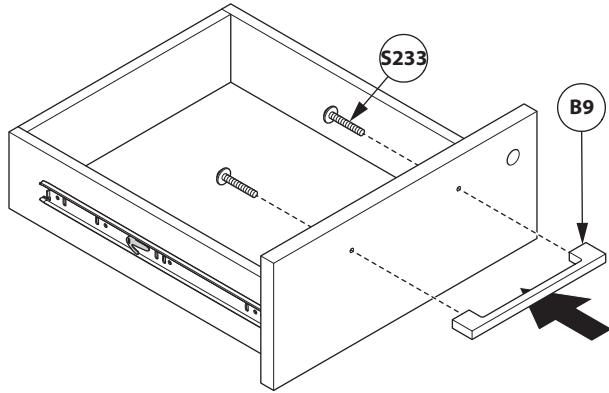
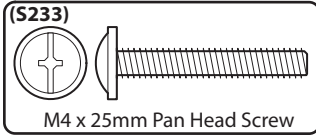
E.C.O. No: 5_45812

Page: 9 of 13

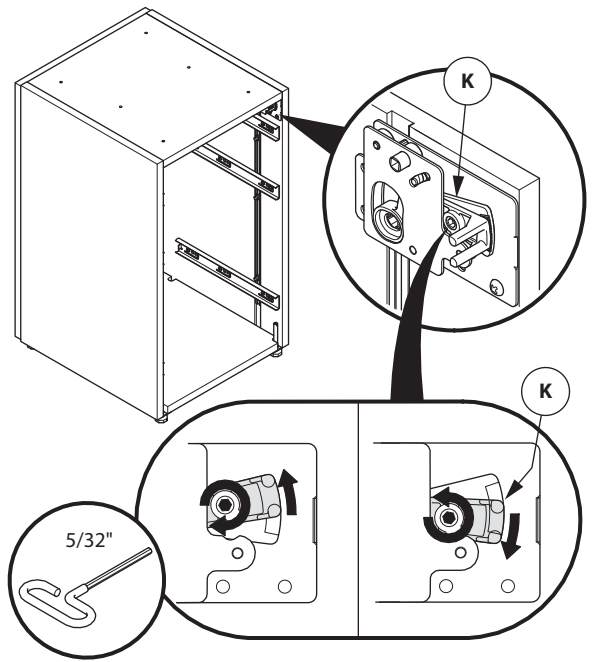
Part No: 6100-0132

Rev: 8

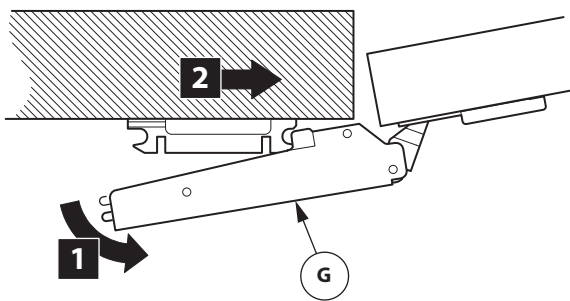
PULL INSTALLATION



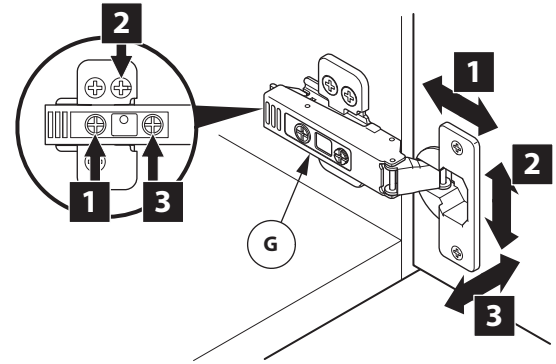
DRAWER LOCK BAR ADJUSTMENT



DOOR INSTALLATION/REMOVAL

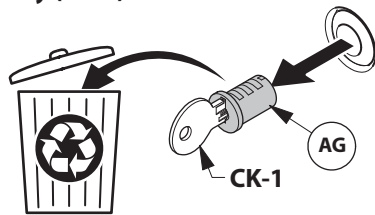


DOOR HINGE ADJUSTMENT

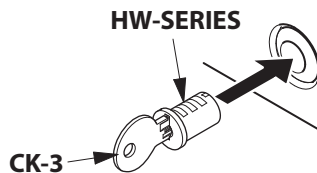


OPTIONAL LOCK PLUG INSTALLATION

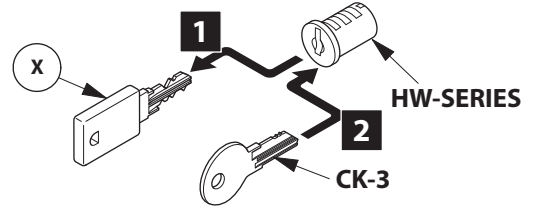
1 Remove shipping plug (AG) with round key (CK-1)



3 Install lock plug (HW-SERIES)
NOTE: Position cam to unlocked (12:00 o'clock position).
NOTE: It may be necessary to rotate cam until lock plug engages.

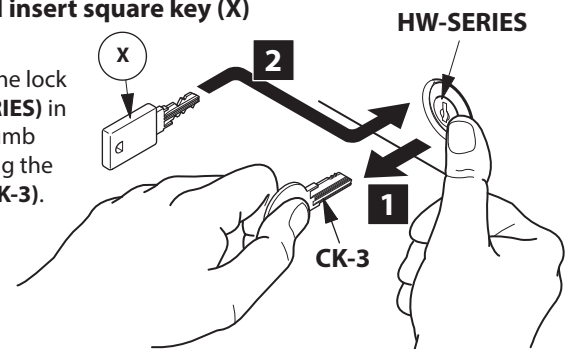


2 Replace square key (X) with round key (CK-3)



4 Remove round key (CK-3) and insert square key (X)

NOTE: Hold the lock plug (HW-SERIES) in place with thumb while removing the control key (CK-3).

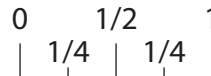


CUSTOMER SERVICE PHONE: 1-800-426-8562

BEHOLD®

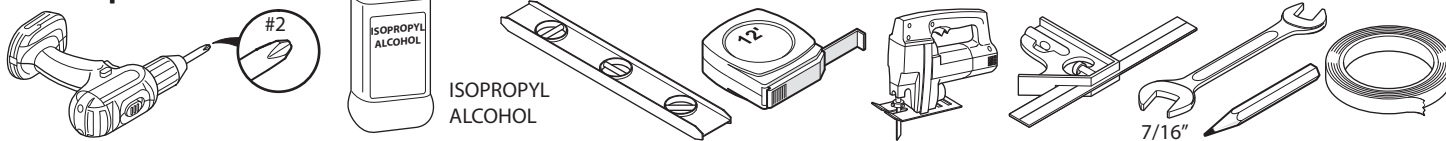
Height Adjustable Table to Credenza

Installation Instructions



Scale 1 : 1

Tools Required

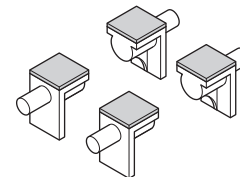
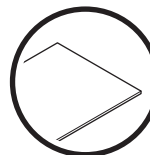


(S194)

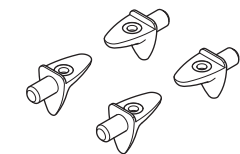
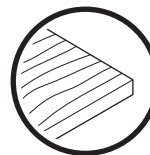


#10 x 1-1/8" Pan Head Screw

STEEL SHELF PINS

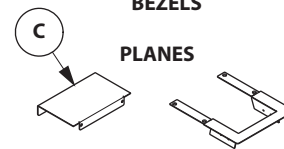


WOOD SHELF PINS



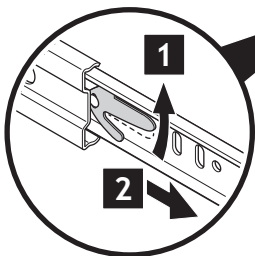
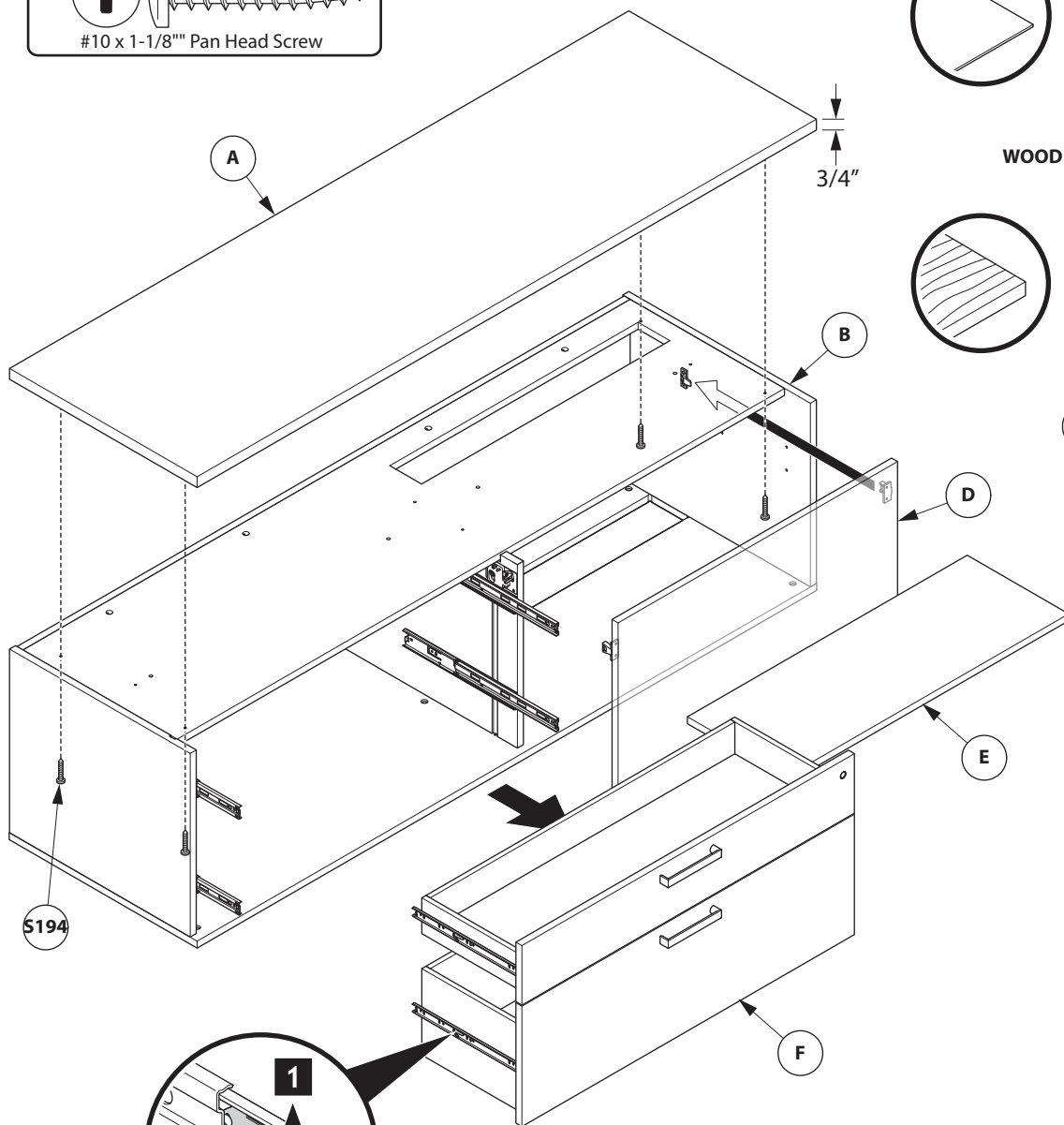
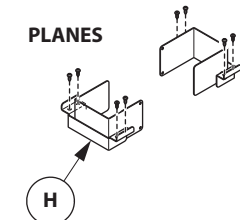
BEZELS

PLANES



FOOT BRACKETS

PLANES



CUSTOMER SERVICE PHONE: 1-800-426-8562

HAWORTH

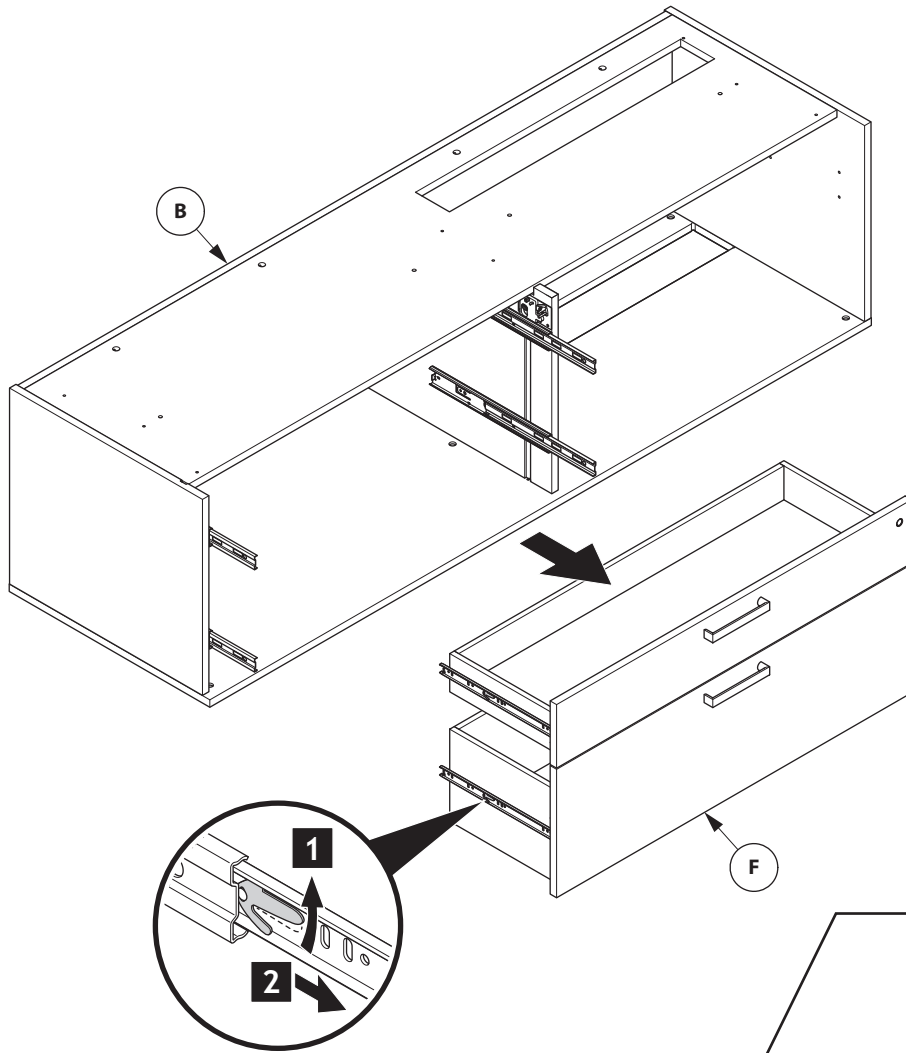
E.C.O. No: 5_45812

Page: 9 of 19

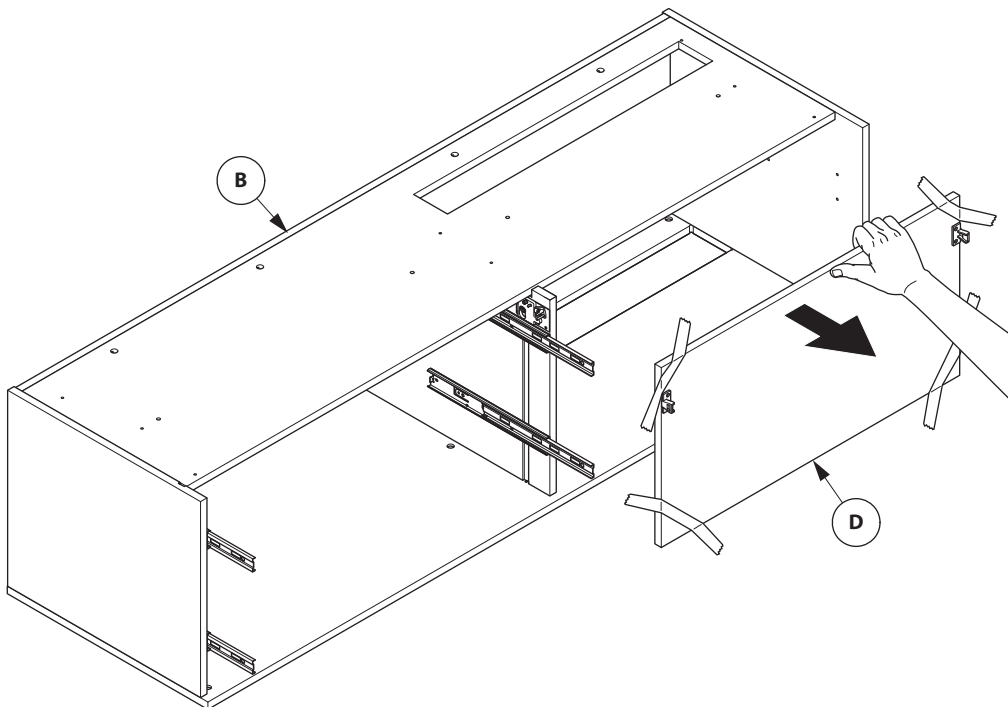
Part No: 6100-0132

Rev: 7

1



2



CUSTOMER SERVICE PHONE: 1-800-426-8562

HAWORTH

E.C.O. No: 5_45812

Page: 10 of 19

Part No: 6100-0132

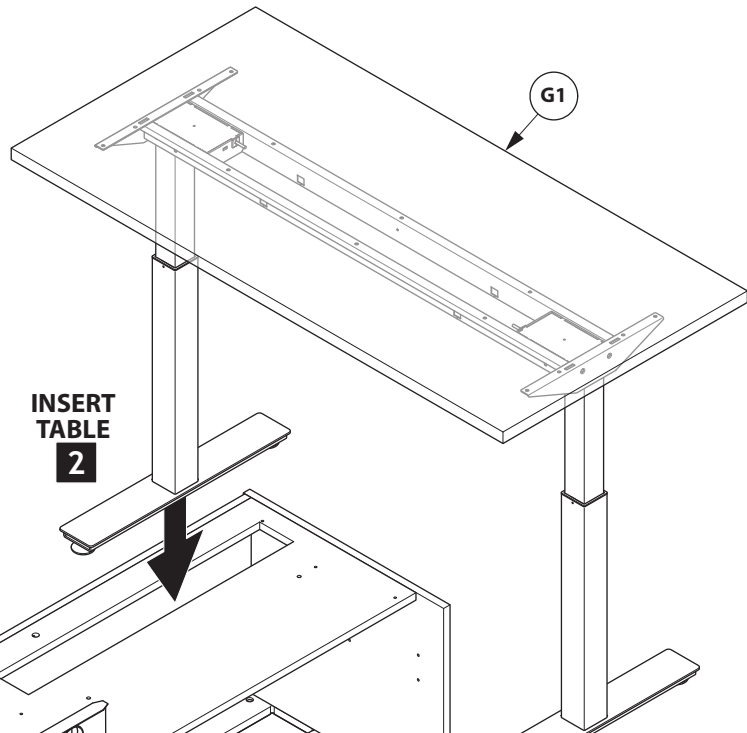
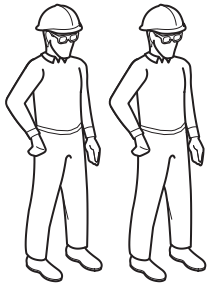
Rev: 7

3

▲ IMPORTANT!

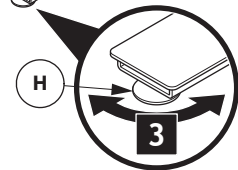
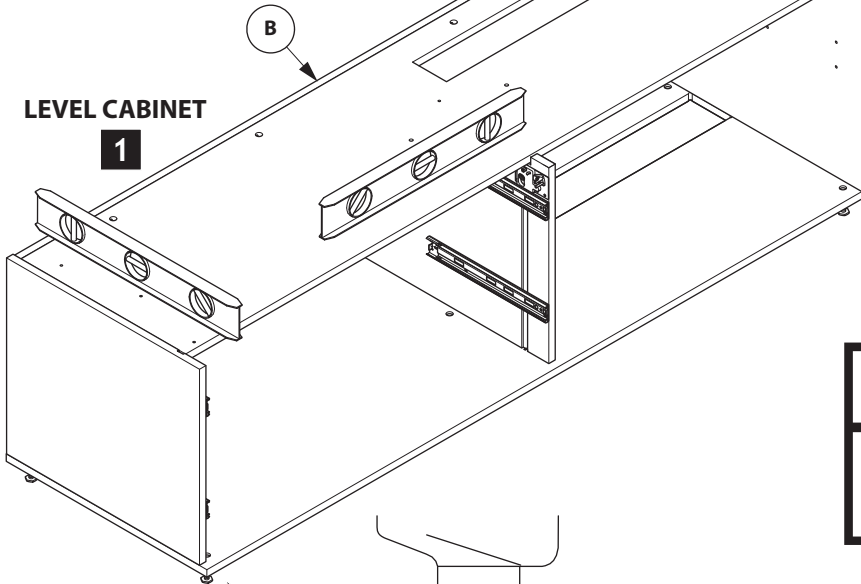


MINIMUM TWO PEOPLE
REQUIRED WHEN
INSTALLING TABLE!



LEVEL CABINET

1

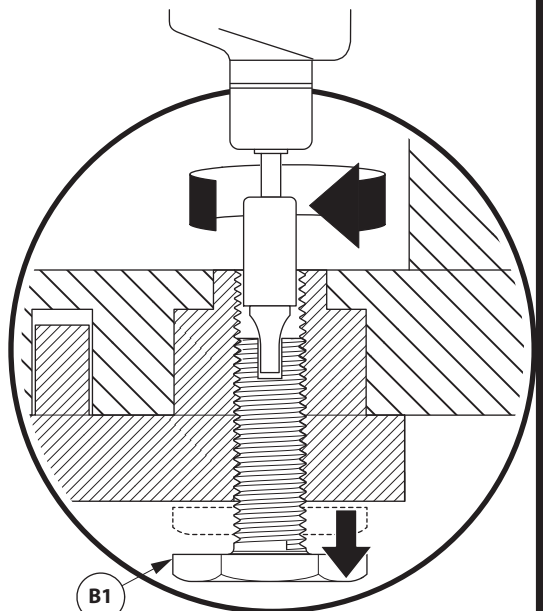
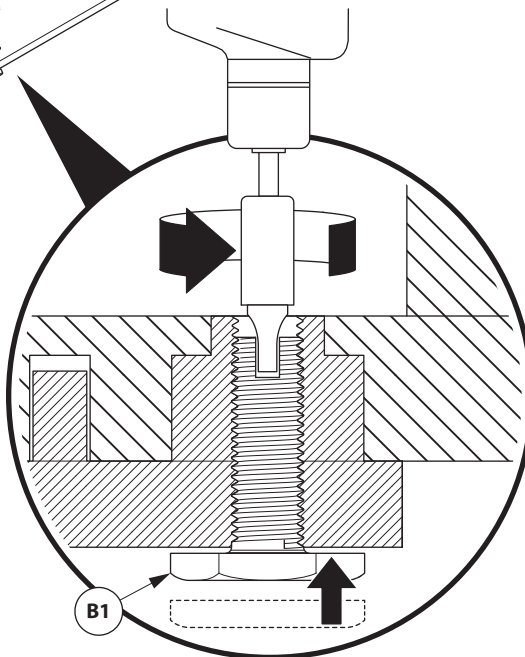


LEVEL
TABLE

▲ IMPORTANT!



LEVEL BOTH CABINET
AND TABLE ONCE IN
FINAL DESTINATION!



CUSTOMER SERVICE PHONE: 1-800-426-8562

HAWORTH

E.C.O. No: 5_45812

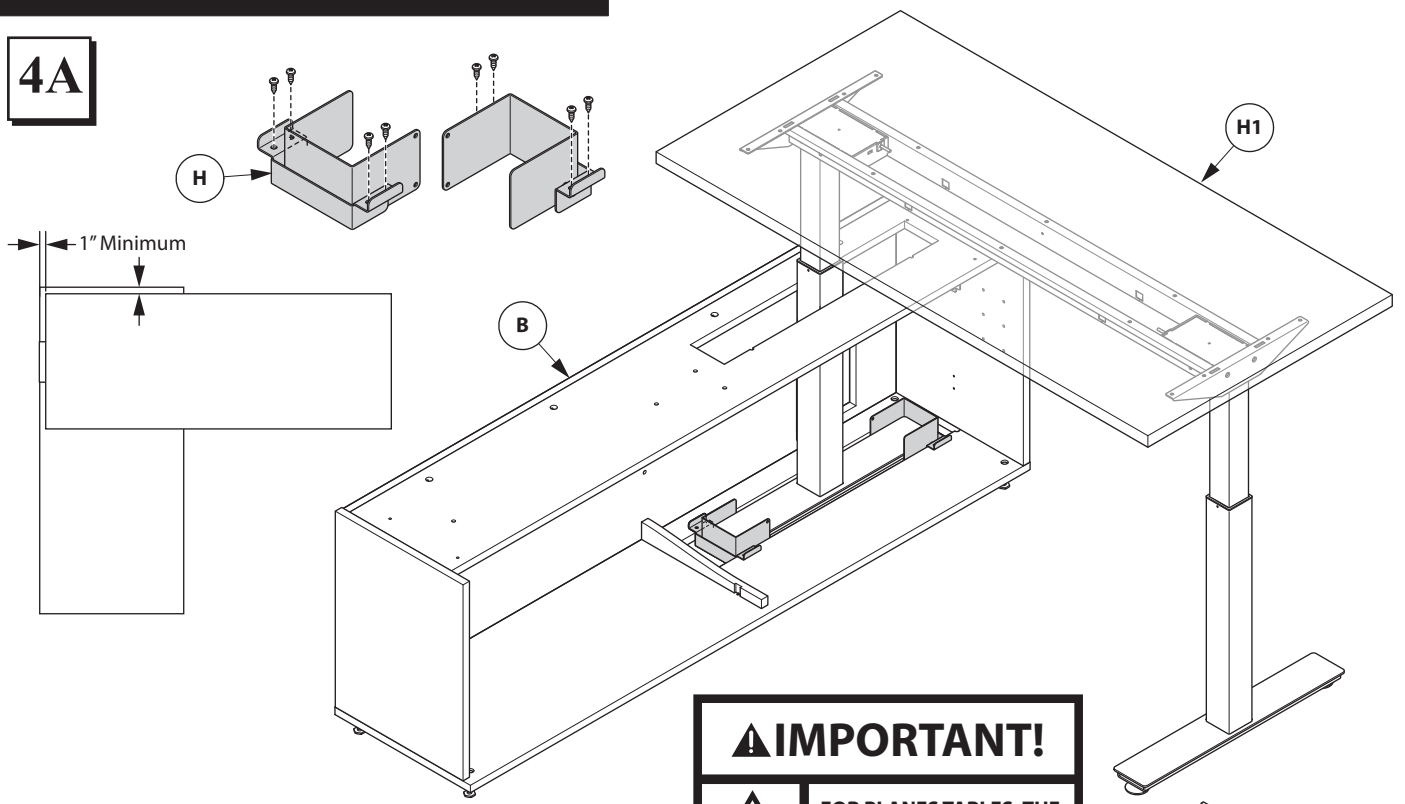
Page: 11 of 19

Part No: 6100-0132

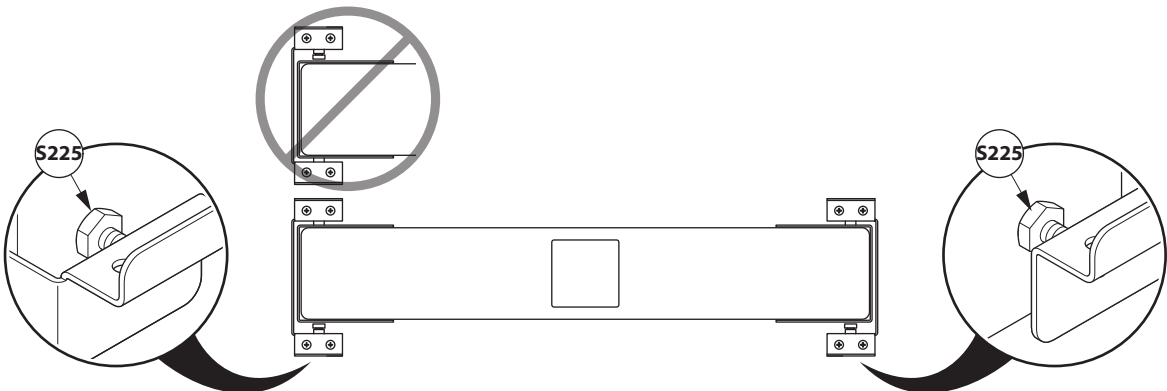
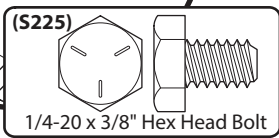
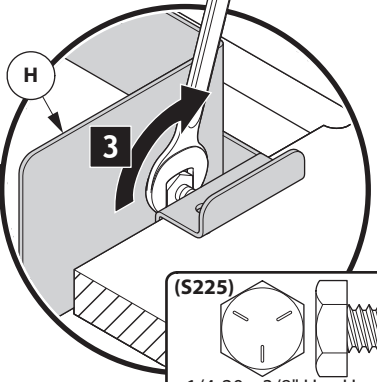
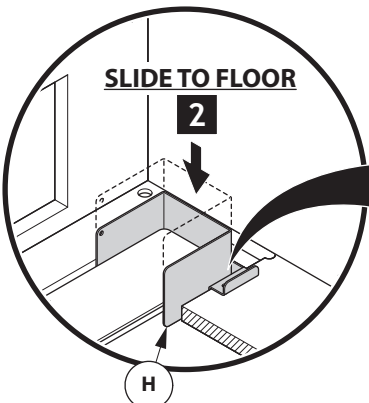
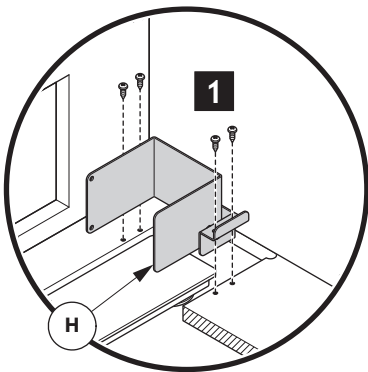
Rev: 7

FOR PLANES TABLES

4A



! IMPORTANT!
FOR PLANES TABLES, THE BOLT MUST BE TOWARDS THE FRONT OF CABINET!



CUSTOMER SERVICE PHONE: 1-800-426-8562

HAWORTH

E.C.O. No: 5_45812

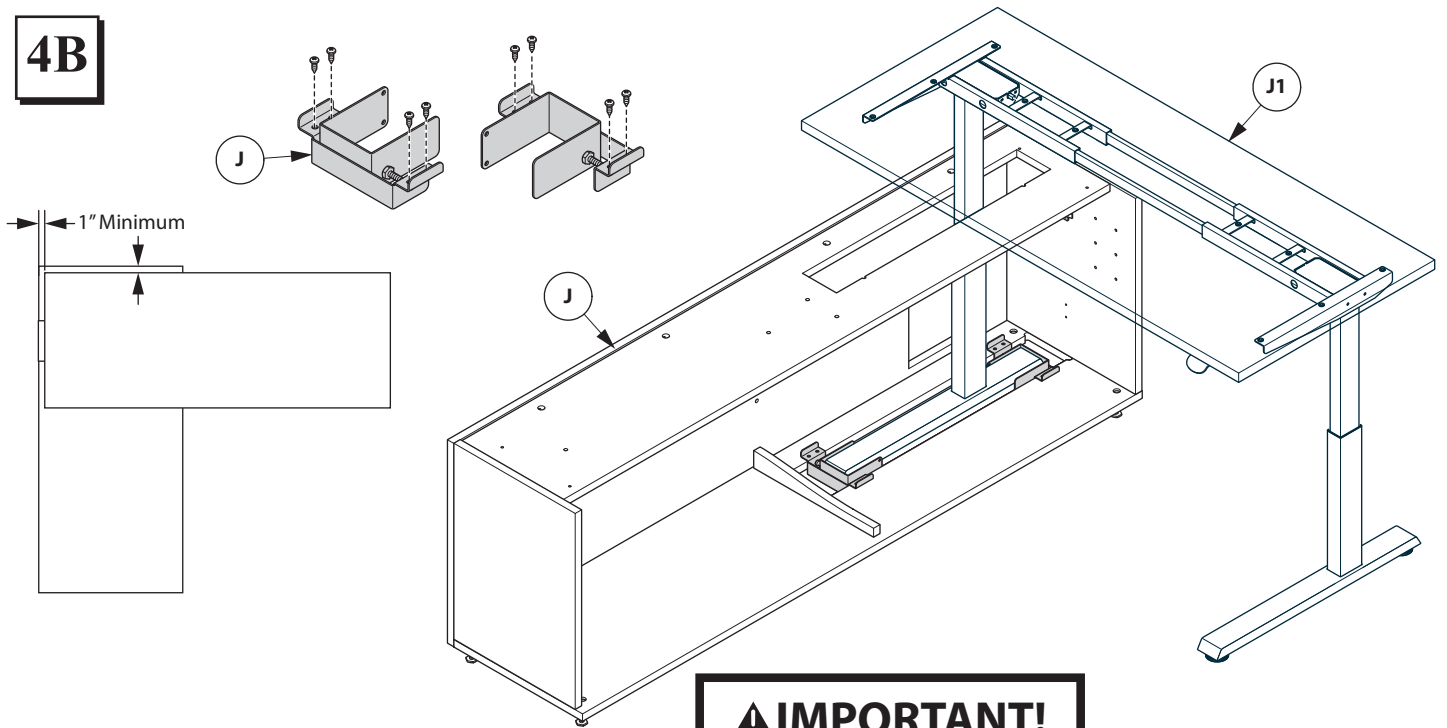
Page: 12 of 19

Part No: 6100-0132

Rev: 7

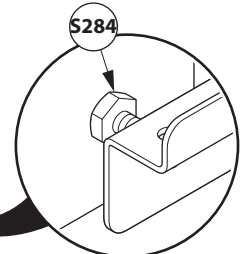
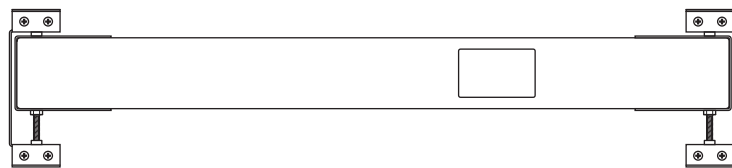
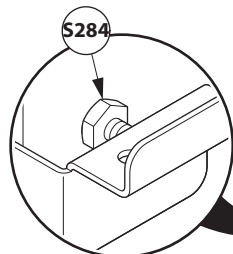
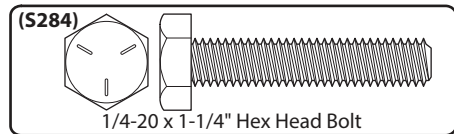
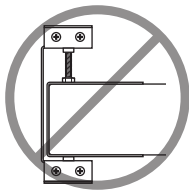
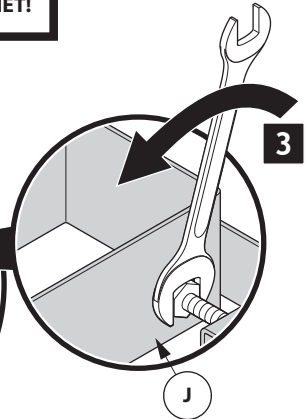
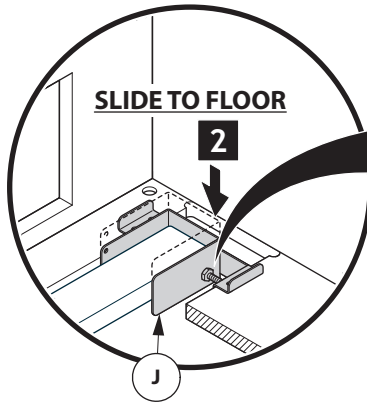
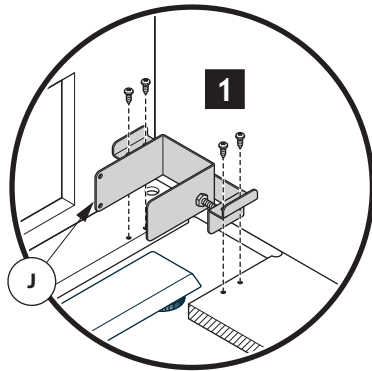
FOR UPSIDE TABLES

4B



⚠ IMPORTANT!

⚠ FOR UPSIDE TABLES, THE BOLT MUST BE TOWARDS THE FRONT OF CABINET!



CUSTOMER SERVICE PHONE: 1-800-426-8562

HAWORTH

E.C.O. No: 5_45812

Page: 13 of 19

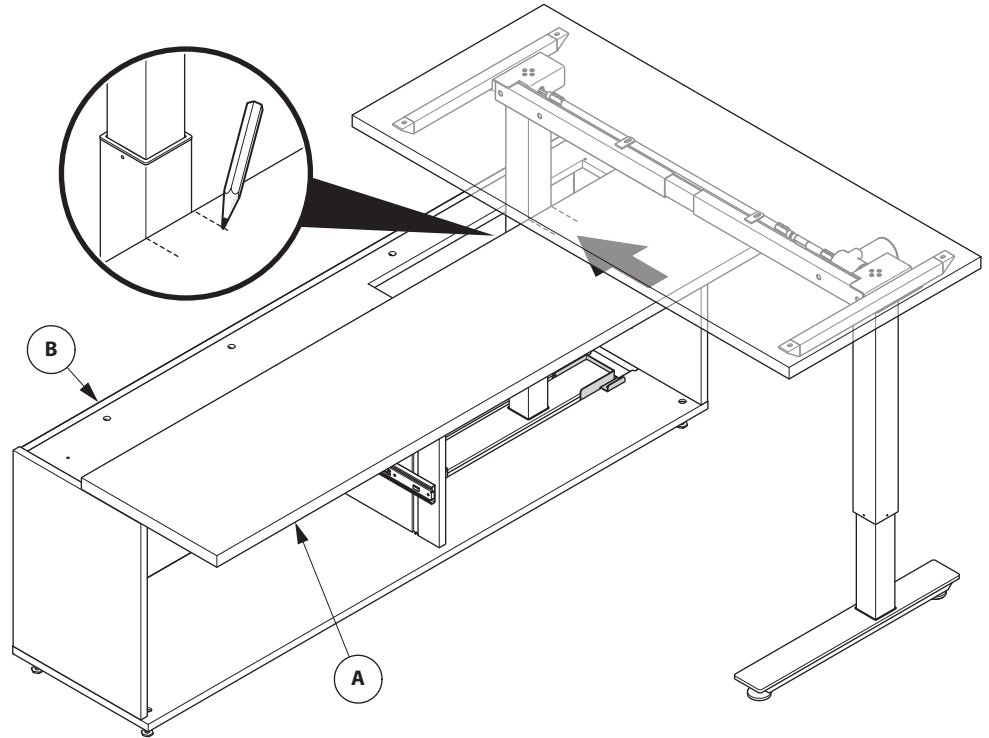
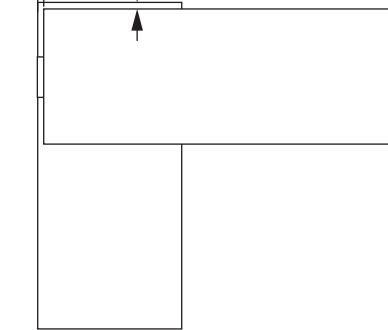
Part No: 6100-0132

Rev: 7

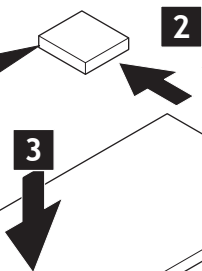
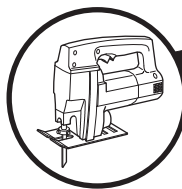
TEMPLATE FOR RIGHT SIDE

5

← 1" Minimum

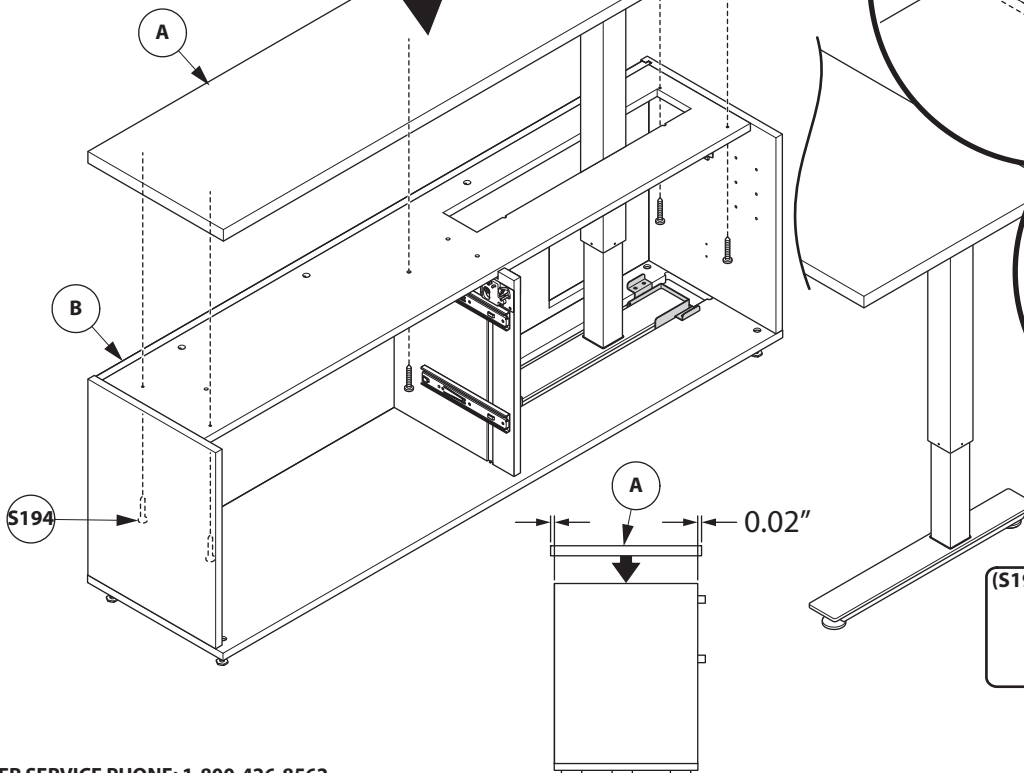
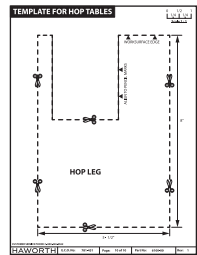
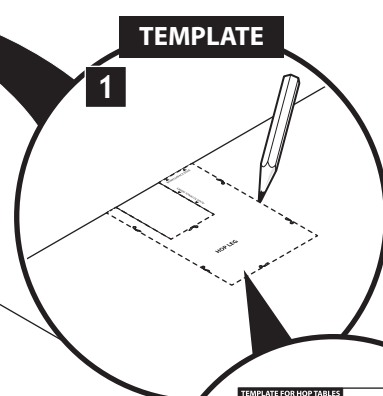


6

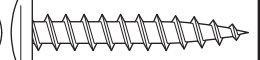


TEMPLATE

1



(S194)



#10 x 1-1/8" Pan Head Screw

CUSTOMER SERVICE PHONE: 1-800-426-8562

HAWORTH

E.C.O. No: 5_45812

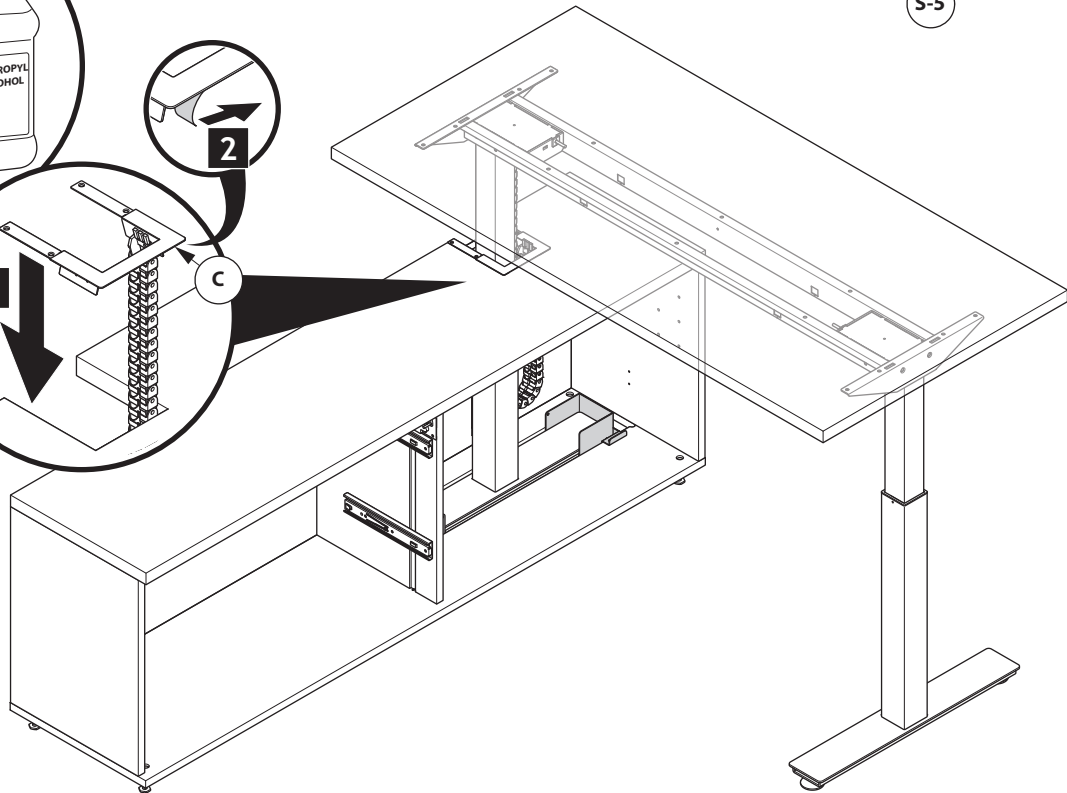
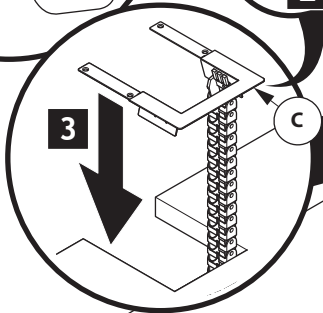
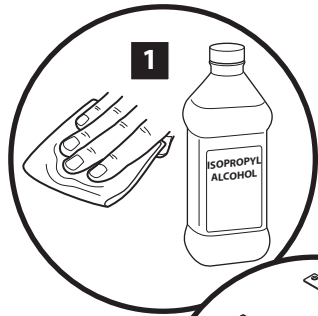
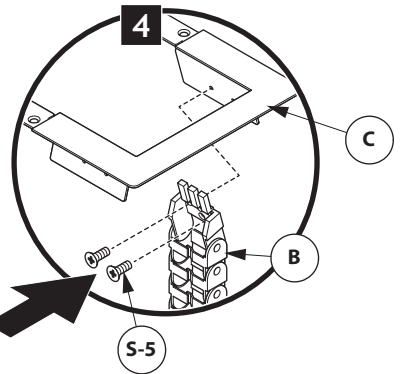
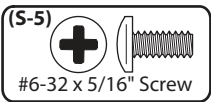
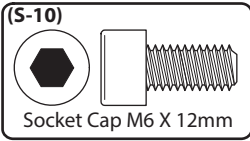
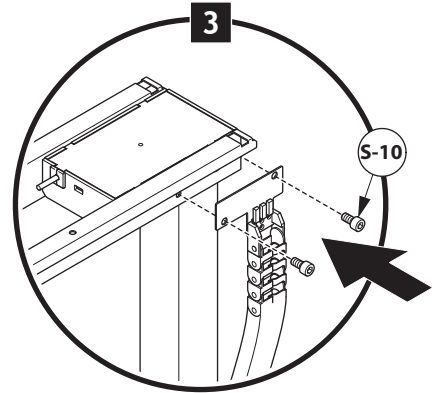
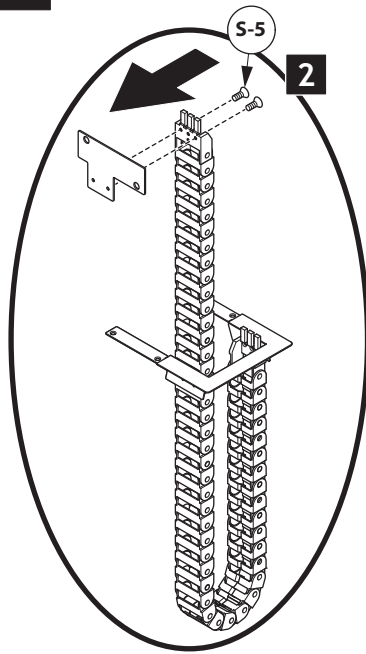
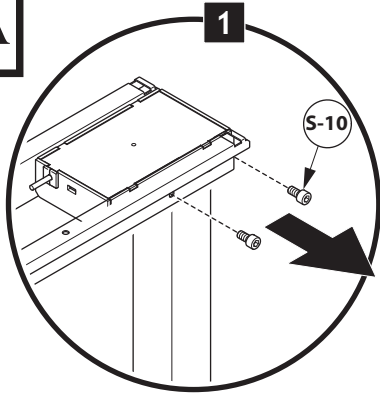
Page: 14 of 19

Part No: 6100-0132

Rev: 7

FOR PLANES TABLES

7A



CUSTOMER SERVICE PHONE: 1-800-426-8562

HAWORTH

E.C.O. No: 5_45812

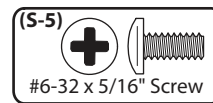
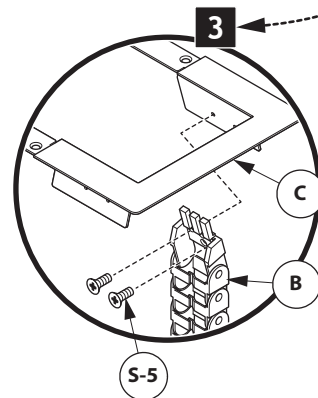
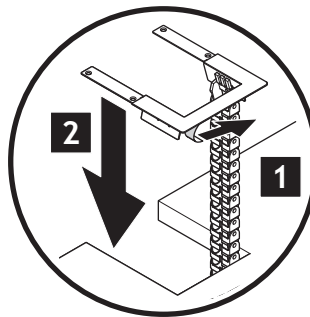
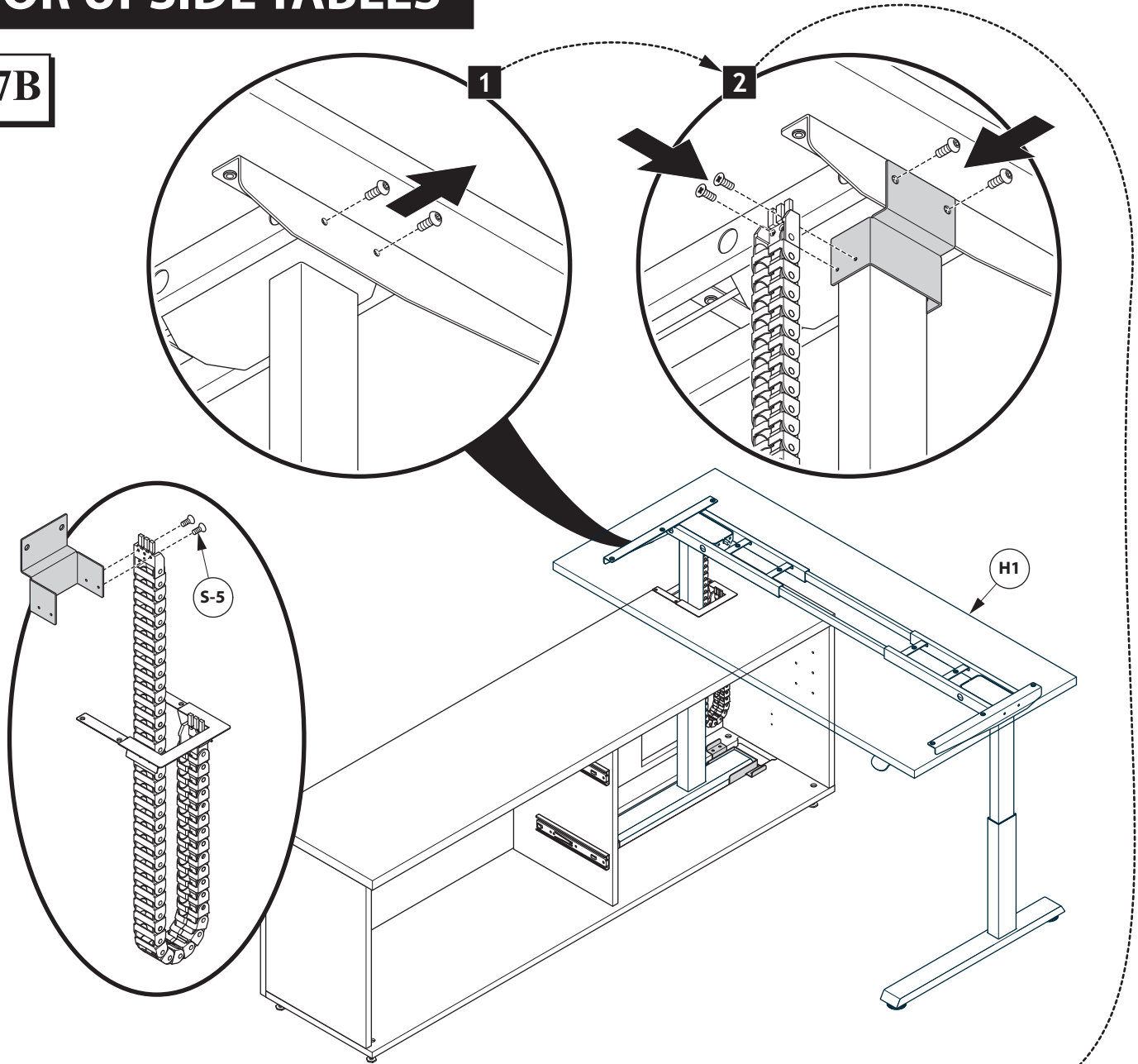
Page: 15 of 19

Part No: 6100-0132

Rev: 7

FOR UPSIDE TABLES

7B



CUSTOMER SERVICE PHONE: 1-800-426-8562

HAWORTH

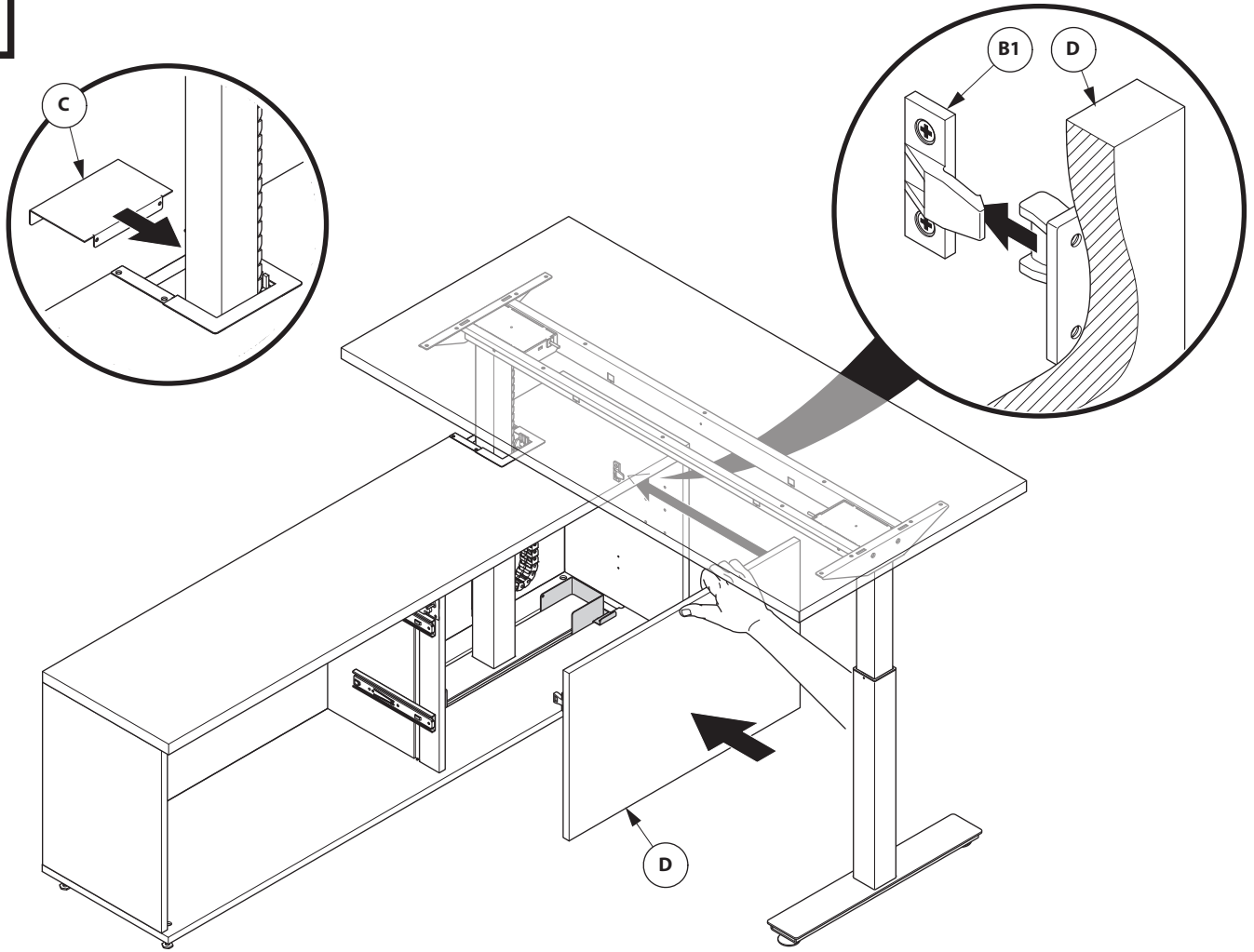
E.C.O. No: 5_45812

Page: 16 of 19

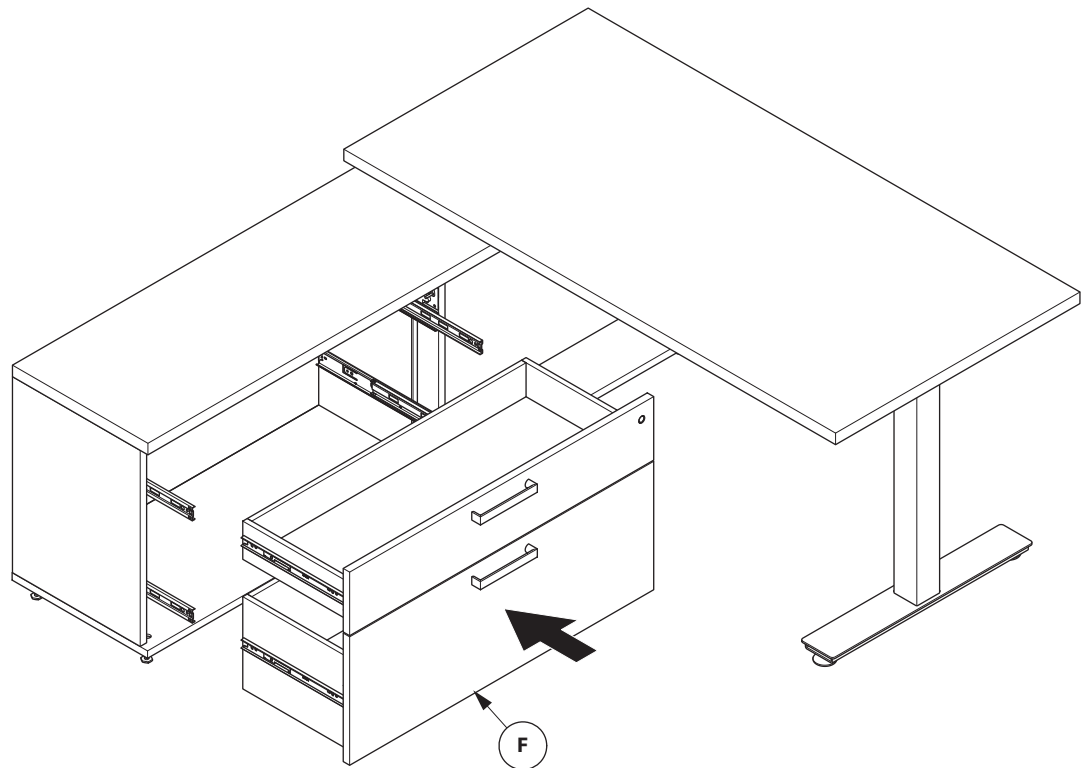
Part No: 6100-0132

Rev: 7

8



9



CUSTOMER SERVICE PHONE: 1-800-426-8562

HAWORTH

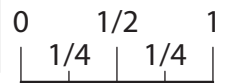
E.C.O. No: 5_45812

Page: 17 of 19

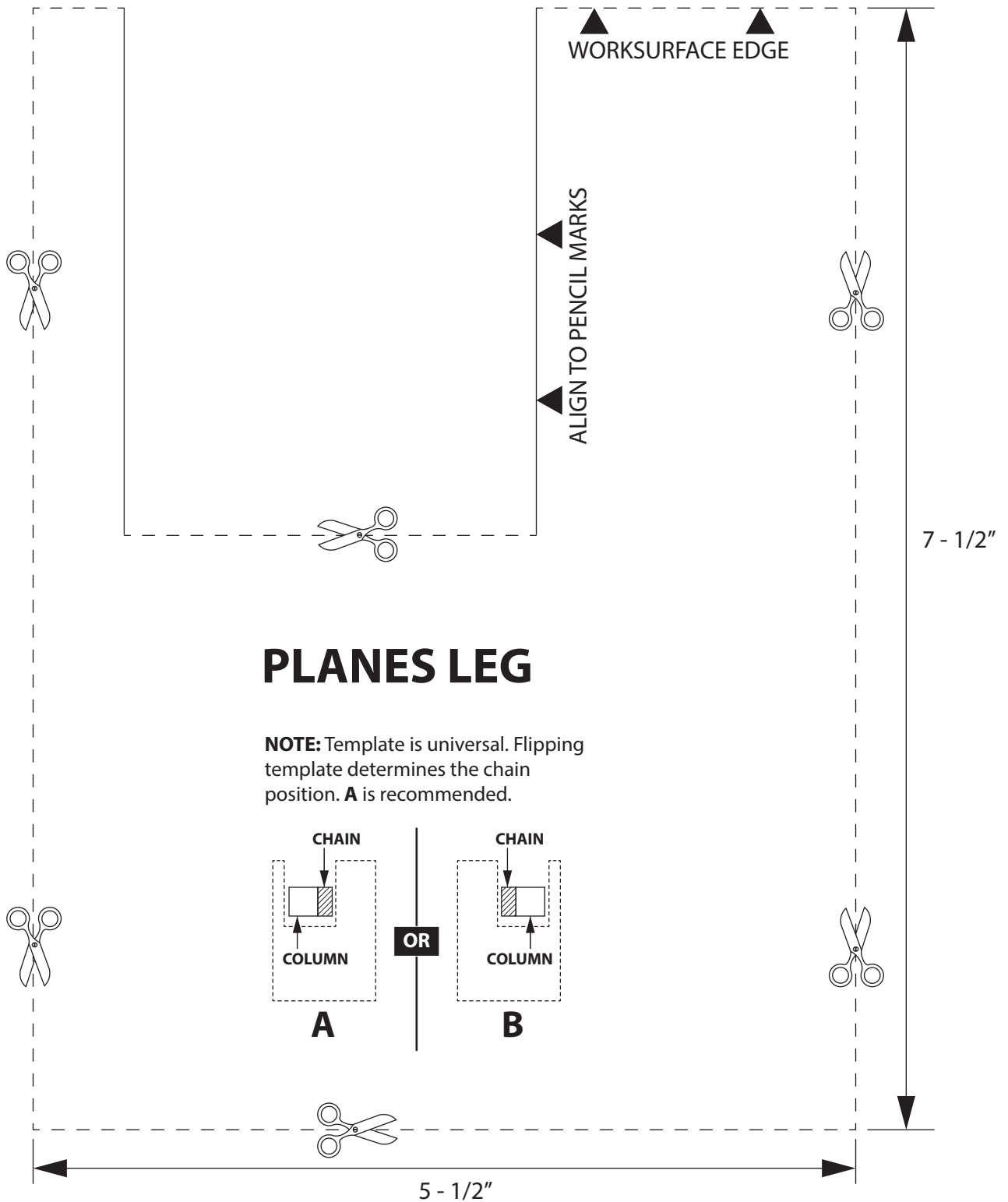
Part No: 6100-0132

Rev: 7

TEMPLATE FOR PLANES/MASTERS TABLES



Scale 1 : 1



CUSTOMER SERVICE PHONE: 1-800-426-8562

HAWORTH

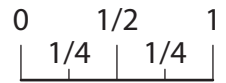
E.C.O. No: 5_45812

Page: 18 of 19

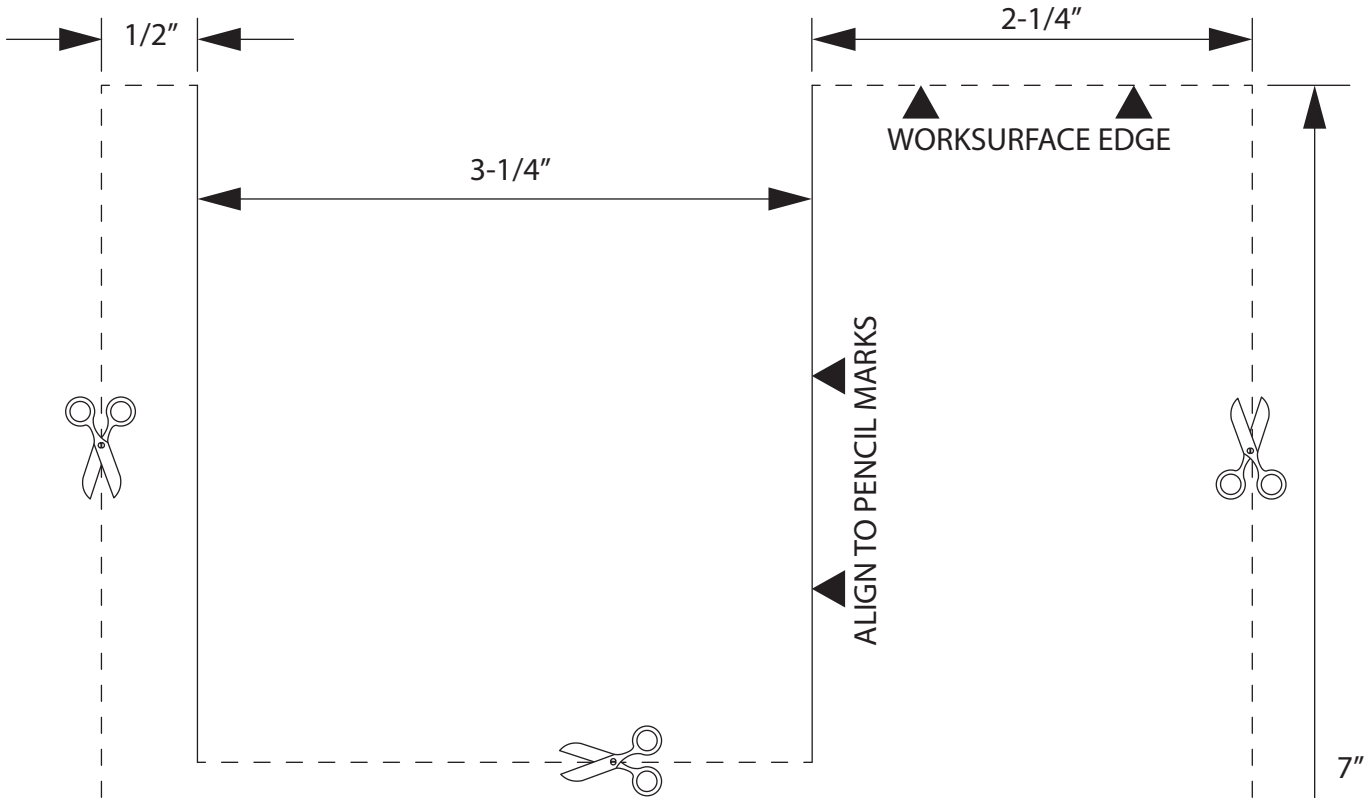
Part No: 6100-0132

Rev: 7

TEMPLATE FOR UPSIDE TABLES

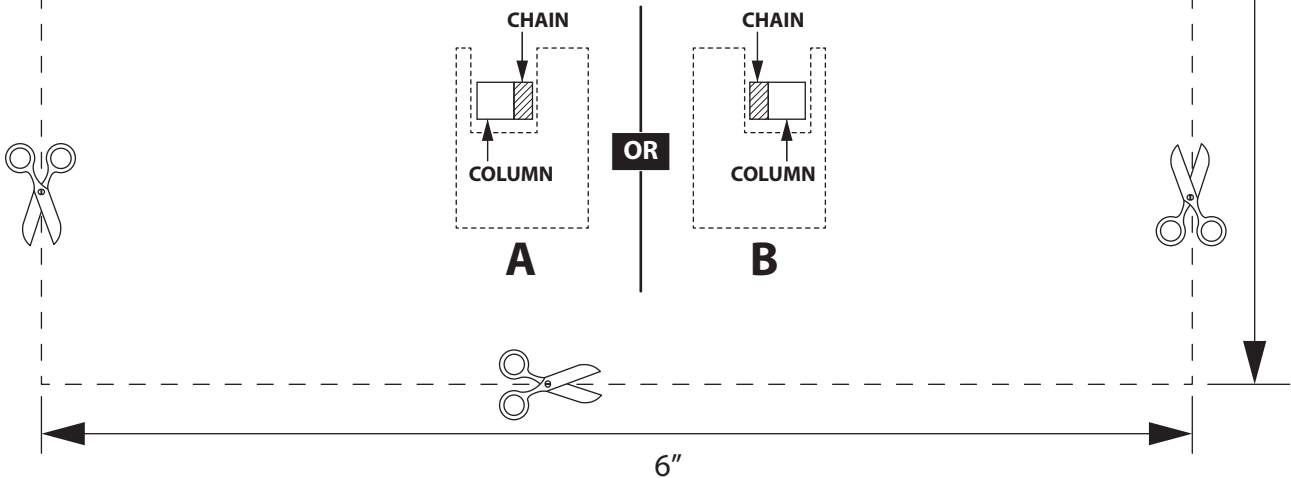


Scale 1 : 1



UPSIDE LEG

NOTE: Template is universal. Flipping template determines the chain position. **A** is recommended.



CUSTOMER SERVICE PHONE: 1-800-426-8562

HAWORTH

E.C.O. No: 5_45812

Page: 19 of 19

Part No: 6100-0132

Rev: 7