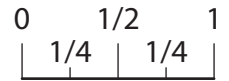
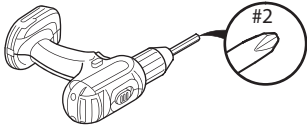


BE_HOLD™
Bread Box
Installation Instructions

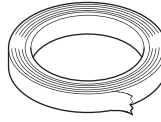


Scale 1 : 1

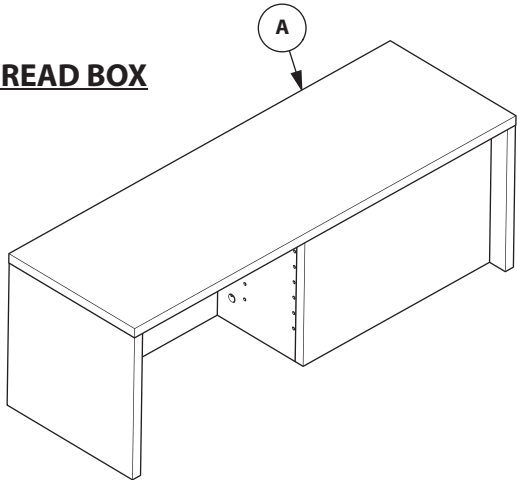
Tools Required



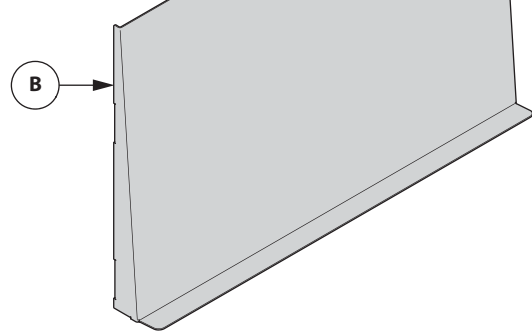
ISOPROPYL ALCOHOL



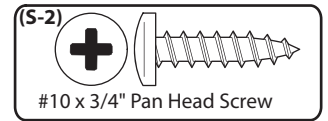
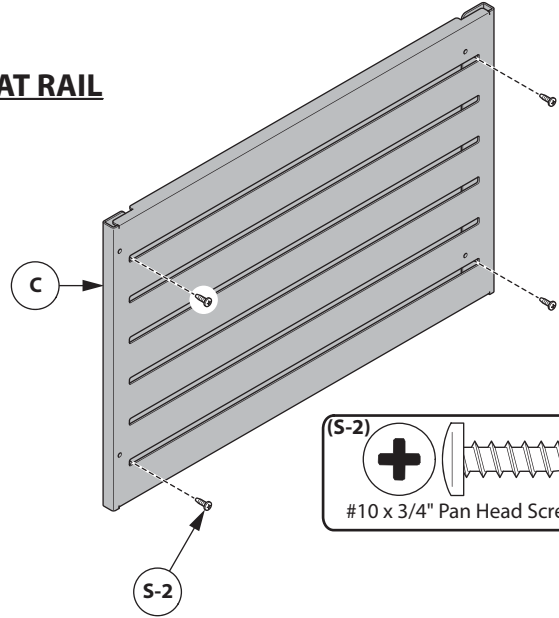
BREAD BOX



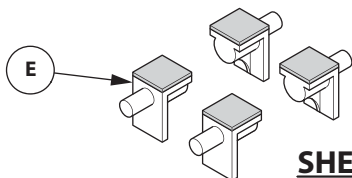
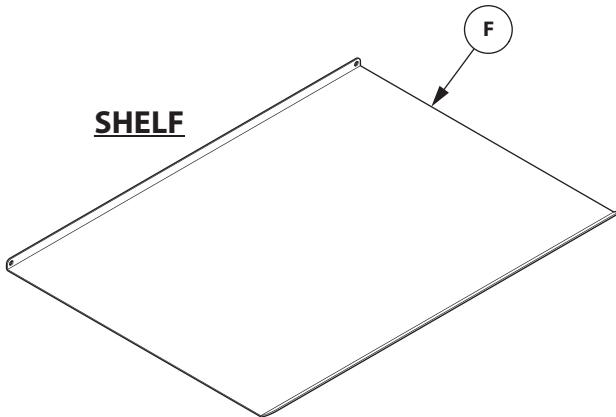
REFERENCE LEDGE



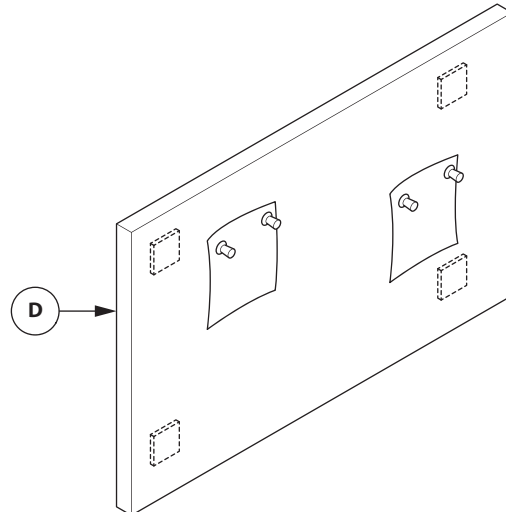
SLAT RAIL



SHELF



SHELF PIN



CUSTOMER SERVICE PHONE: 1-800-426-8562

HAWORTH

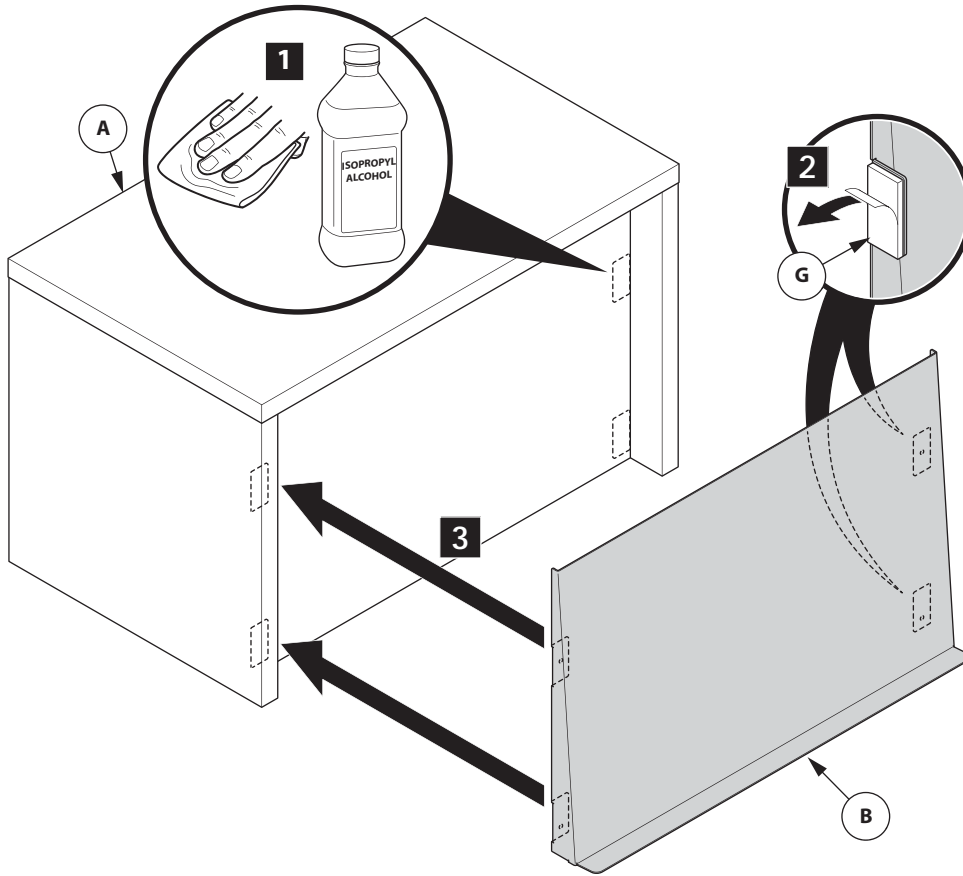
E.C.O. No: 781-431

Page: 1 of 4

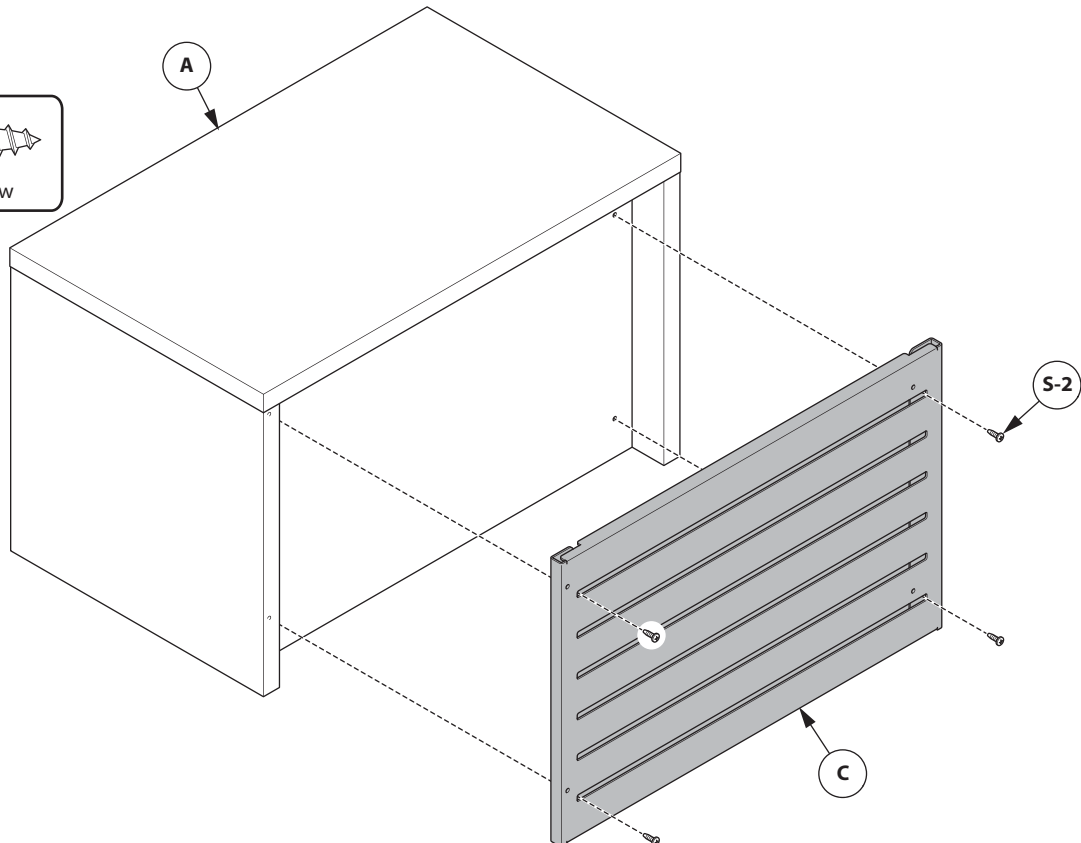
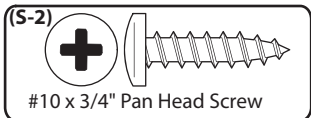
Part No: 6100-0133

Rev: 1

1



2



CUSTOMER SERVICE PHONE: 1-800-426-8562

HAWORTH

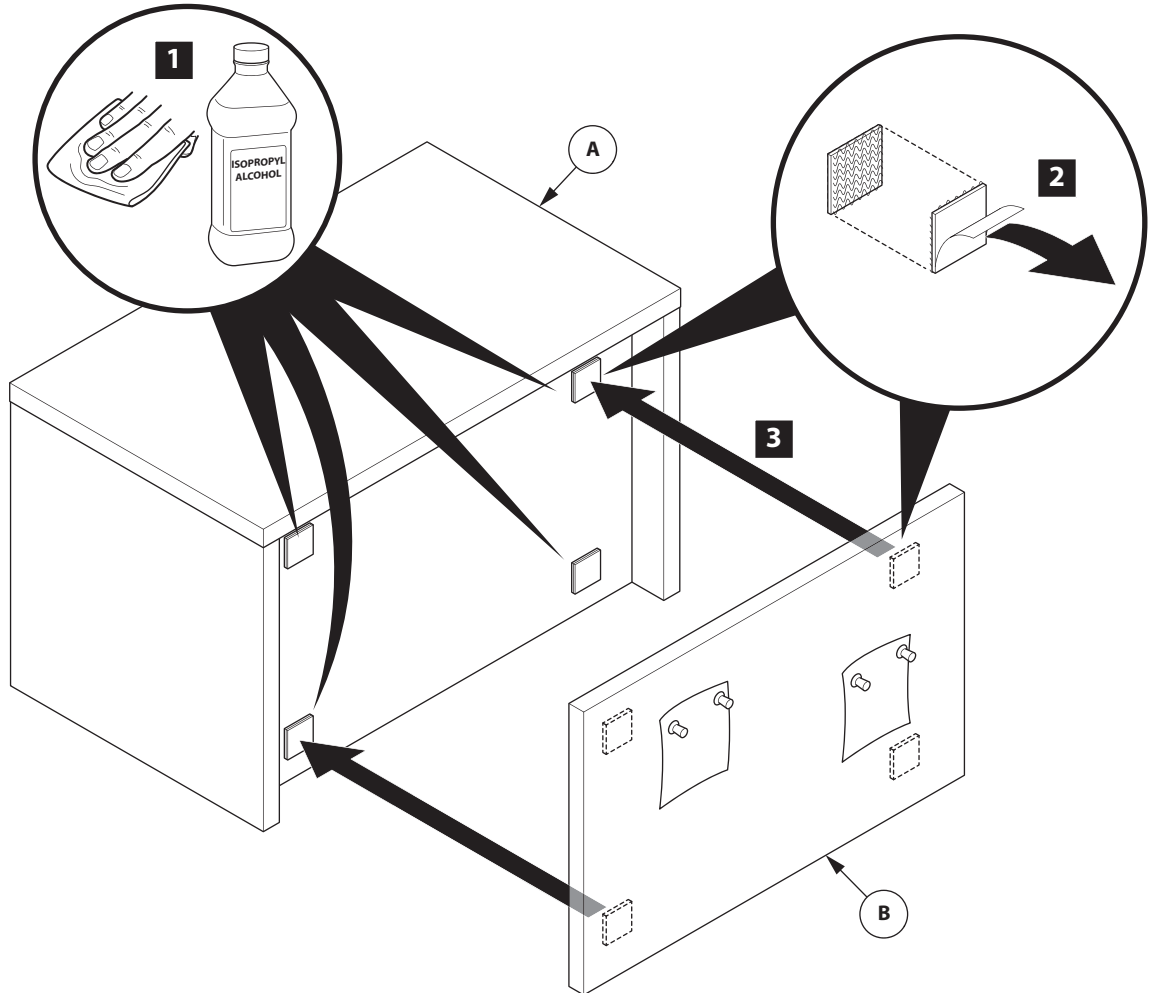
E.C.O. No: 781-431

Page: 2 of 4

Part No: 6100-0133

Rev: 1

3



CUSTOMER SERVICE PHONE: 1-800-426-8562

HAWORTH

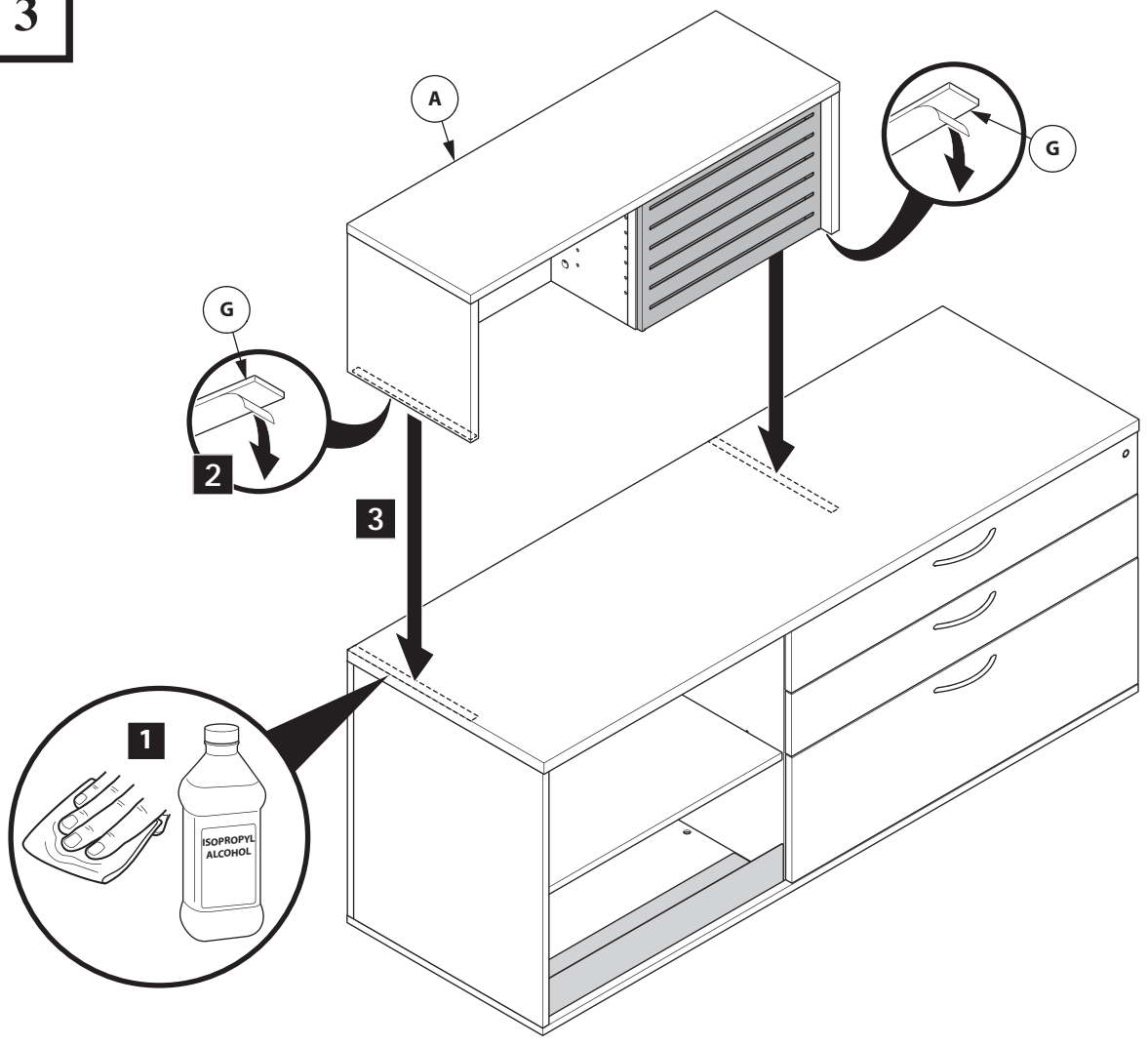
E.C.O. No: 781-431

Page: 3 of 4

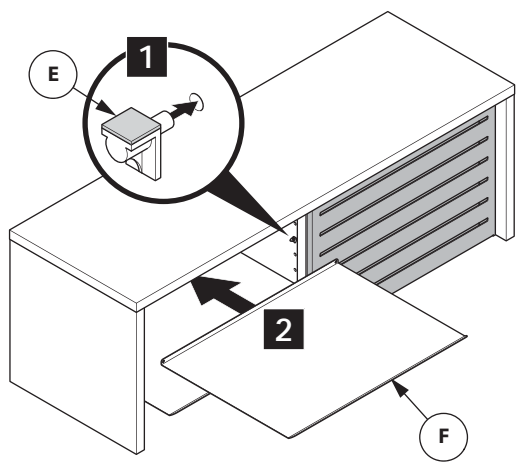
Part No: 6100-0133

Rev: 1

3



4



CUSTOMER SERVICE PHONE: 1-800-426-8562

HAWORTH

E.C.O. No: 781-431

Page: 4 of 4

Part No: 6100-0133

Rev: 1