

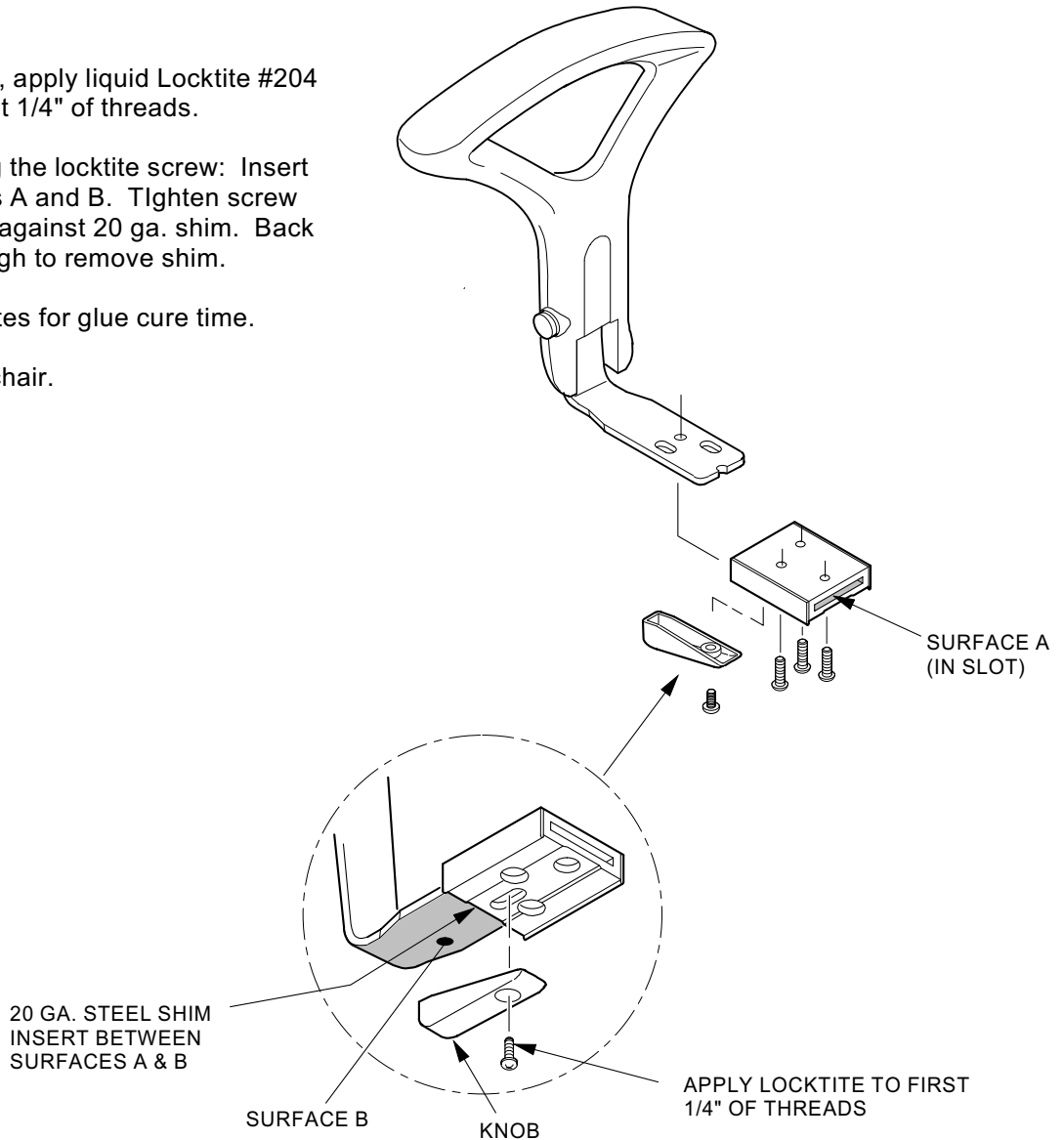
**ACCOLADE T-ARM HORIZONTAL ADJUSTMENT
FIELD ASSEMBLY
Installation Instructions**

Tools Required

Cross-recess (Phillips head) screwdriver
Locktite sealant

Instructions

1. For field assembly, apply liquid Locktite #204 or equivalent to the first 1/4" of threads.
2. Secure knob using the locktite screw: Insert shim between surfaces A and B. Tighten screw with locktite until snug against 20 ga. shim. Back the screw off just enough to remove shim.
3. Allow twenty minutes for glue cure time.
4. Assemble arm to chair.



CUSTOMER SERVICE PHONE: 1-800-426-8562

HAWORTH

E.C.O. No: 205-593-B

Page: 1 OF 1

Part No: 7021-6884

Rev. D