

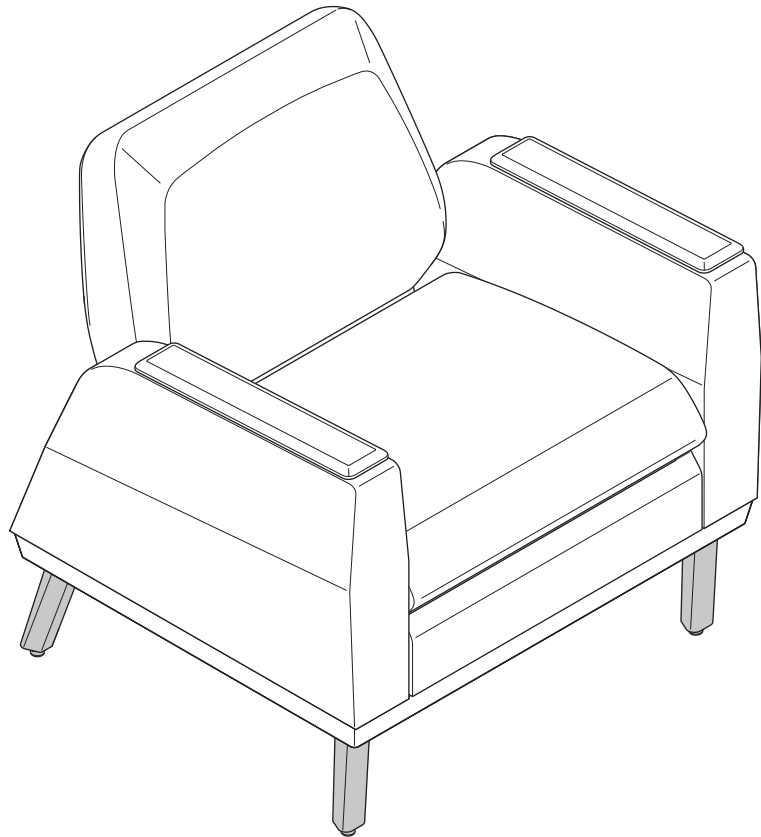
HAWORTH

# Atwell

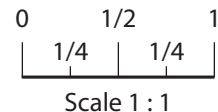
Assembly Instructions

## Leg Installation

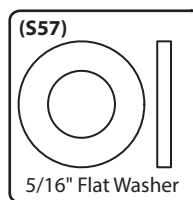
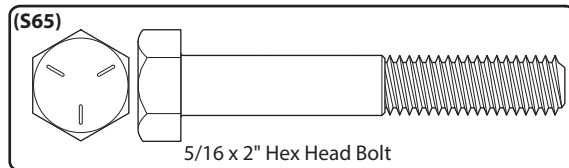
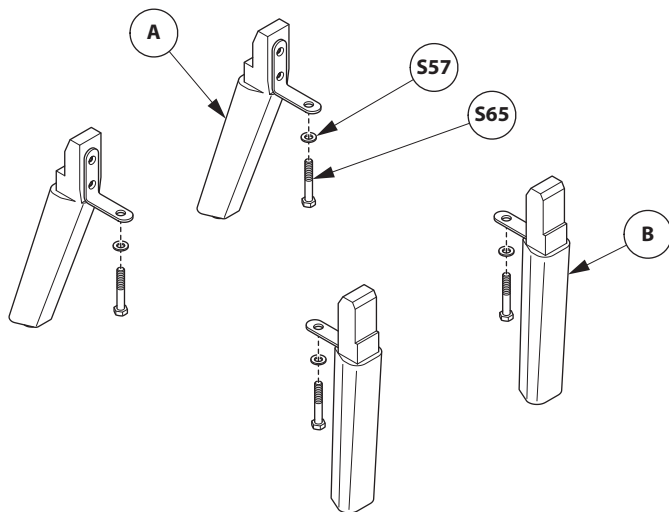
---



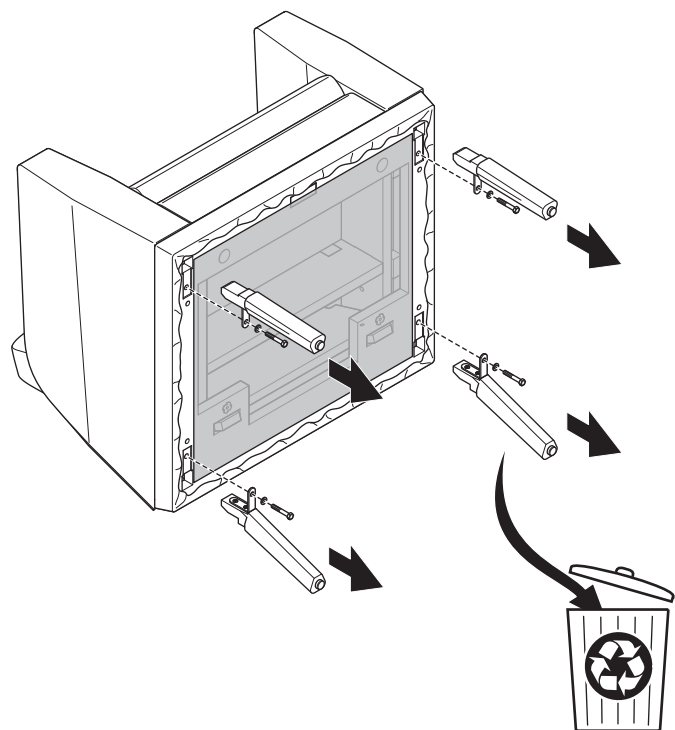
## Tools Required



## Parts



1



2

