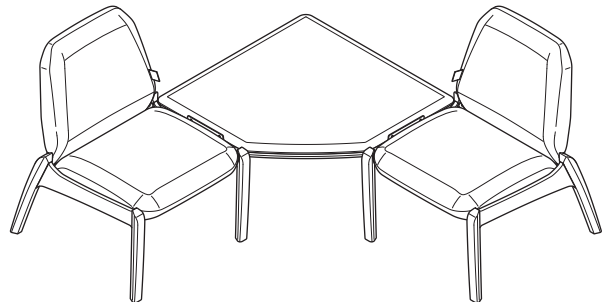
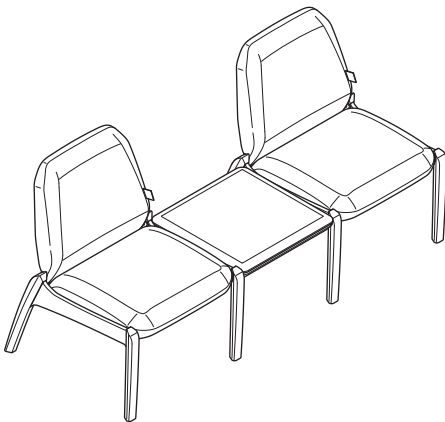
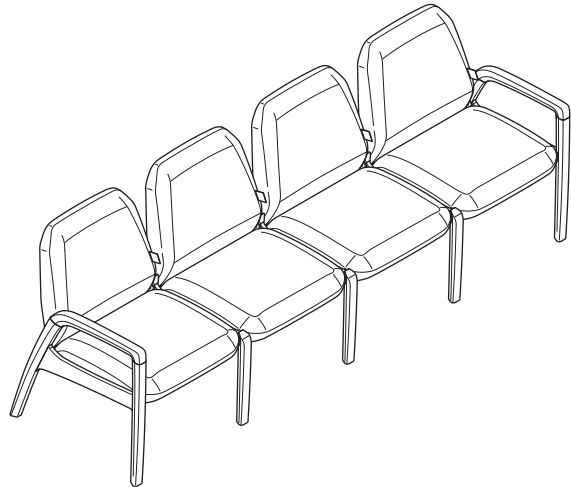
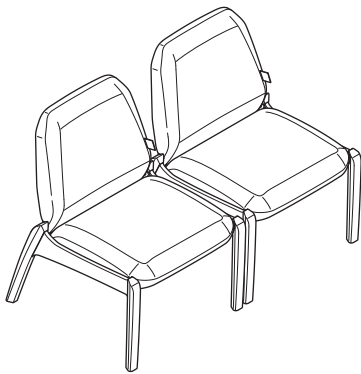


HAWORTH

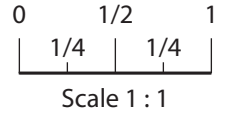
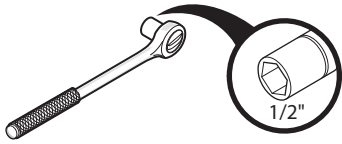
Atwell

Assembly Instructions

Ganging and Side Tables

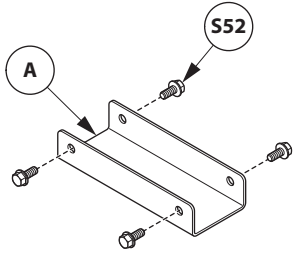


Tools Required

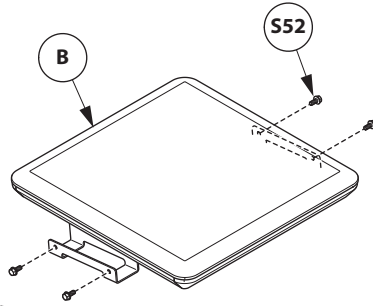


Parts

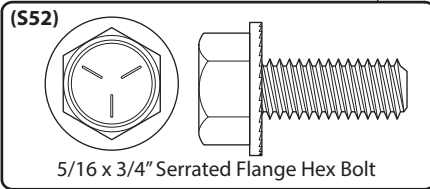
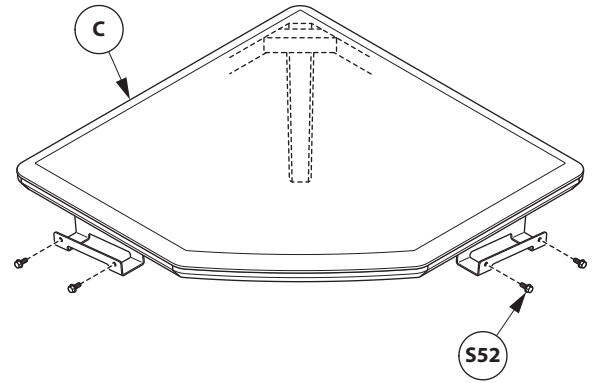
Ganging Bracket



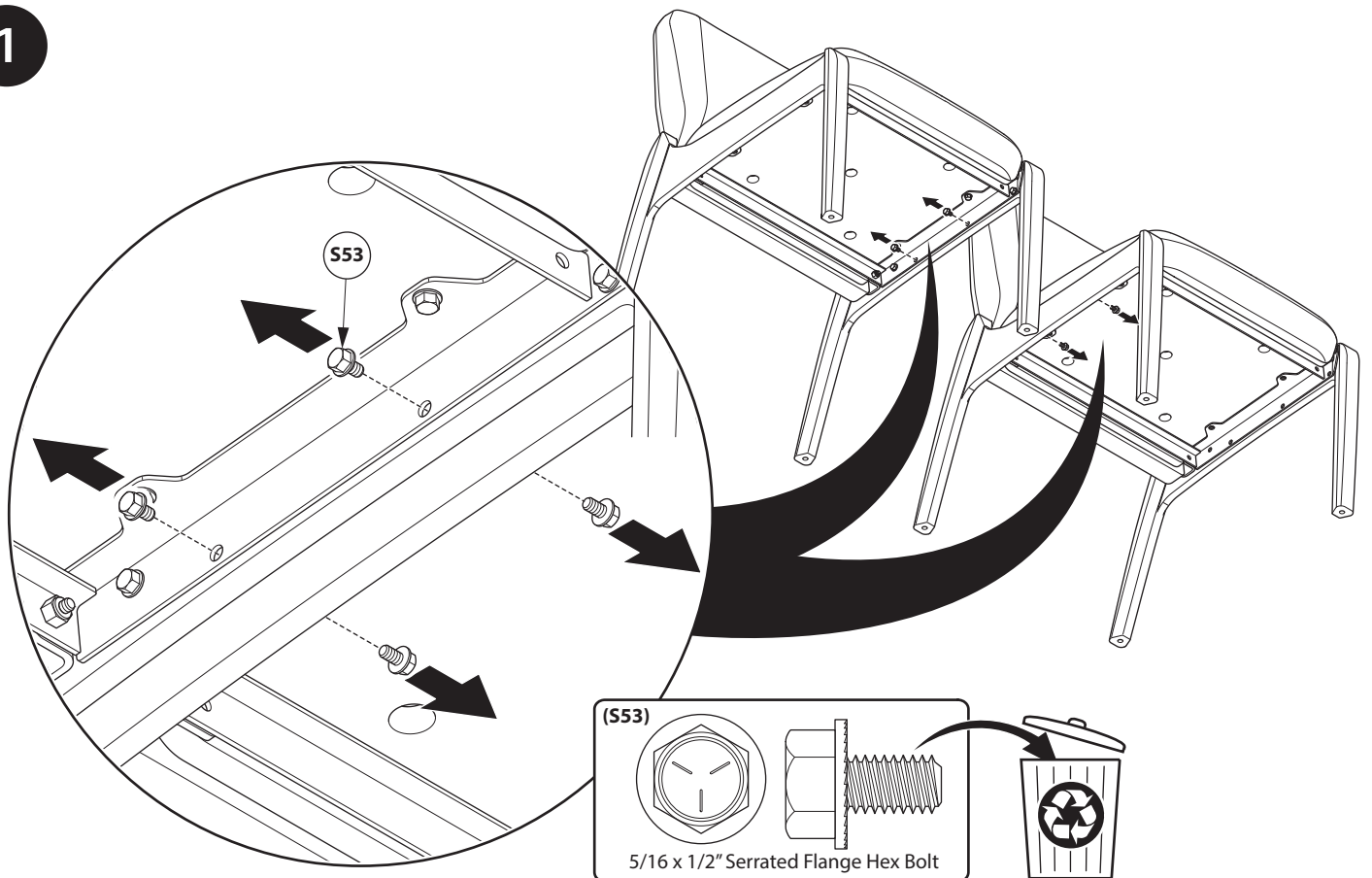
Bridge Table



Corner Table

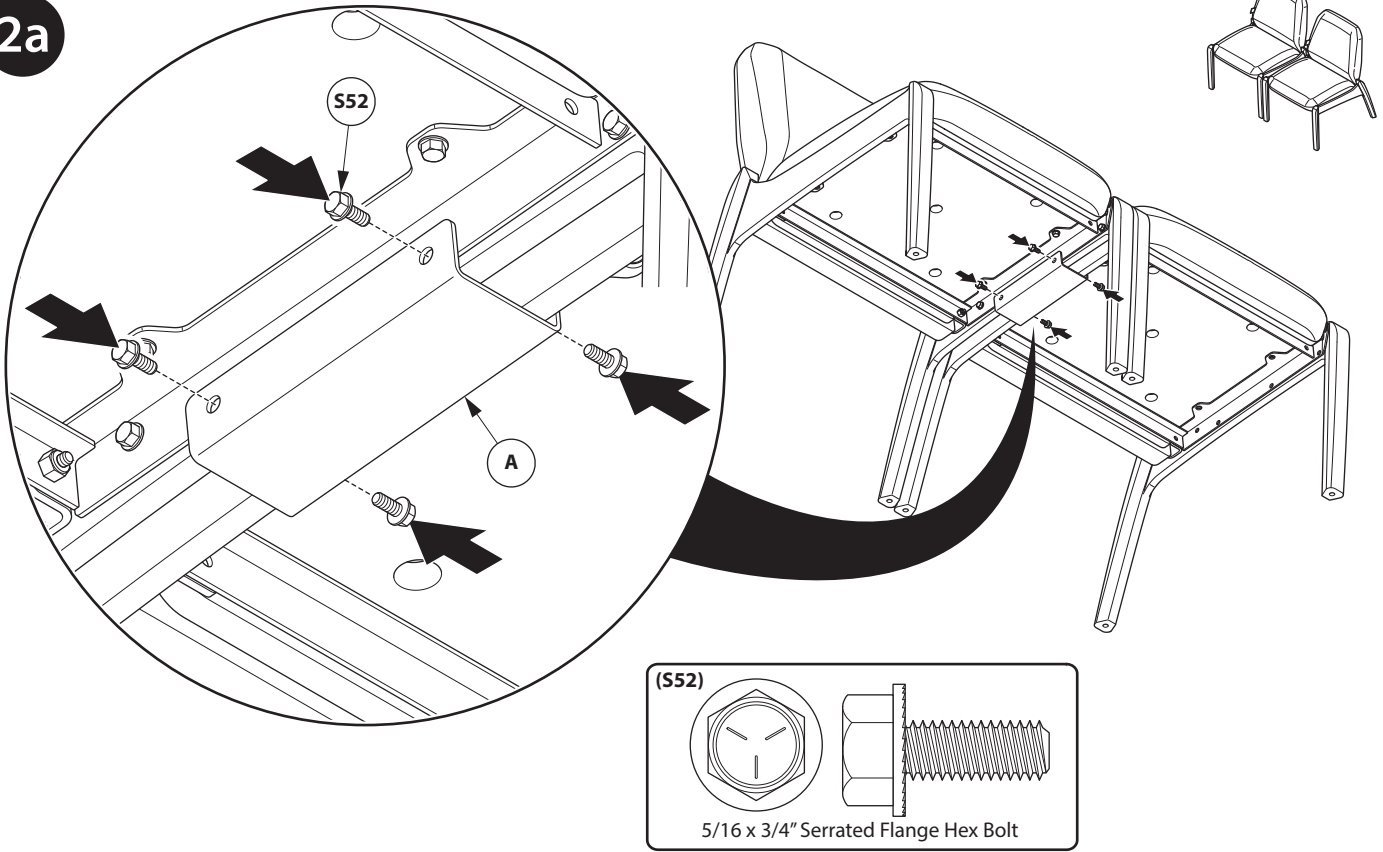


1



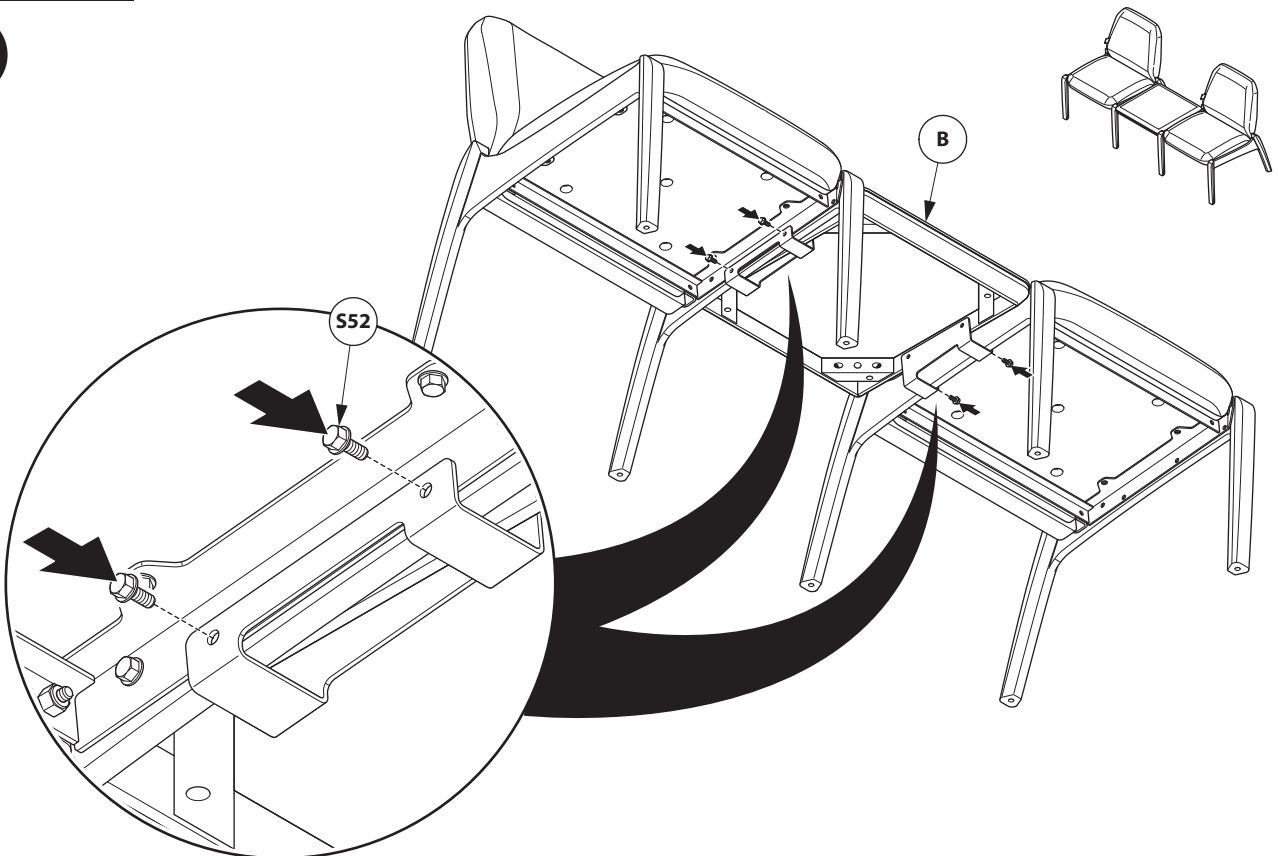
Ganging Bracket

2a



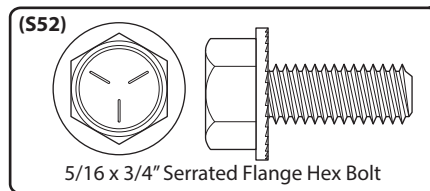
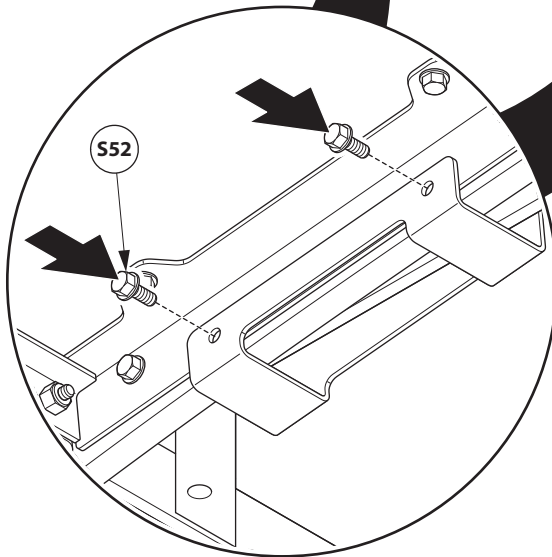
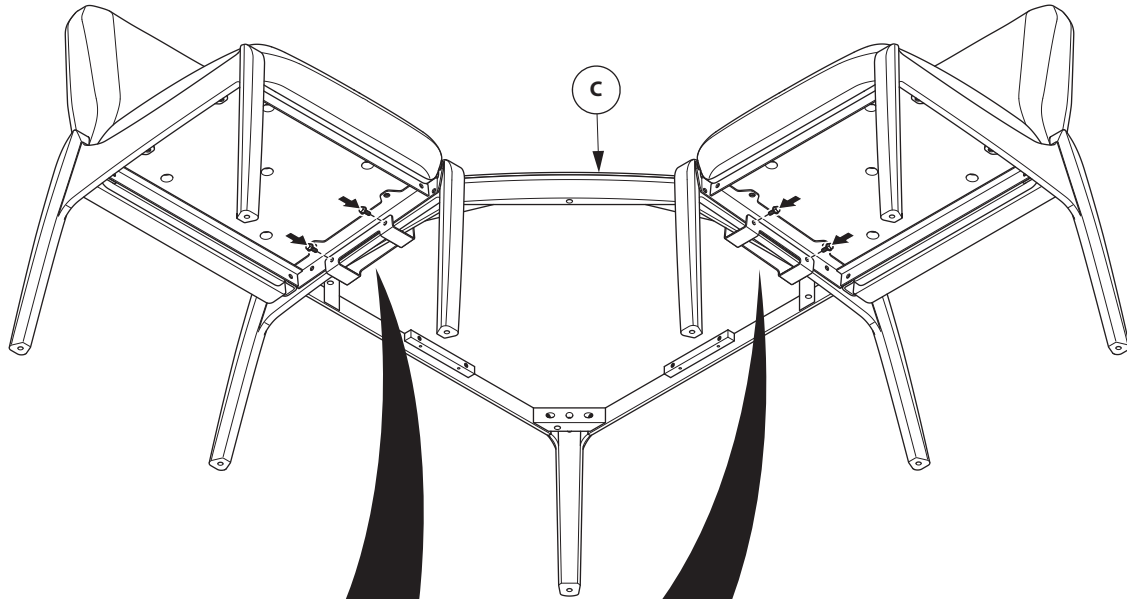
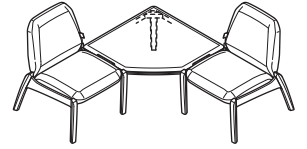
Bridge Table

2b

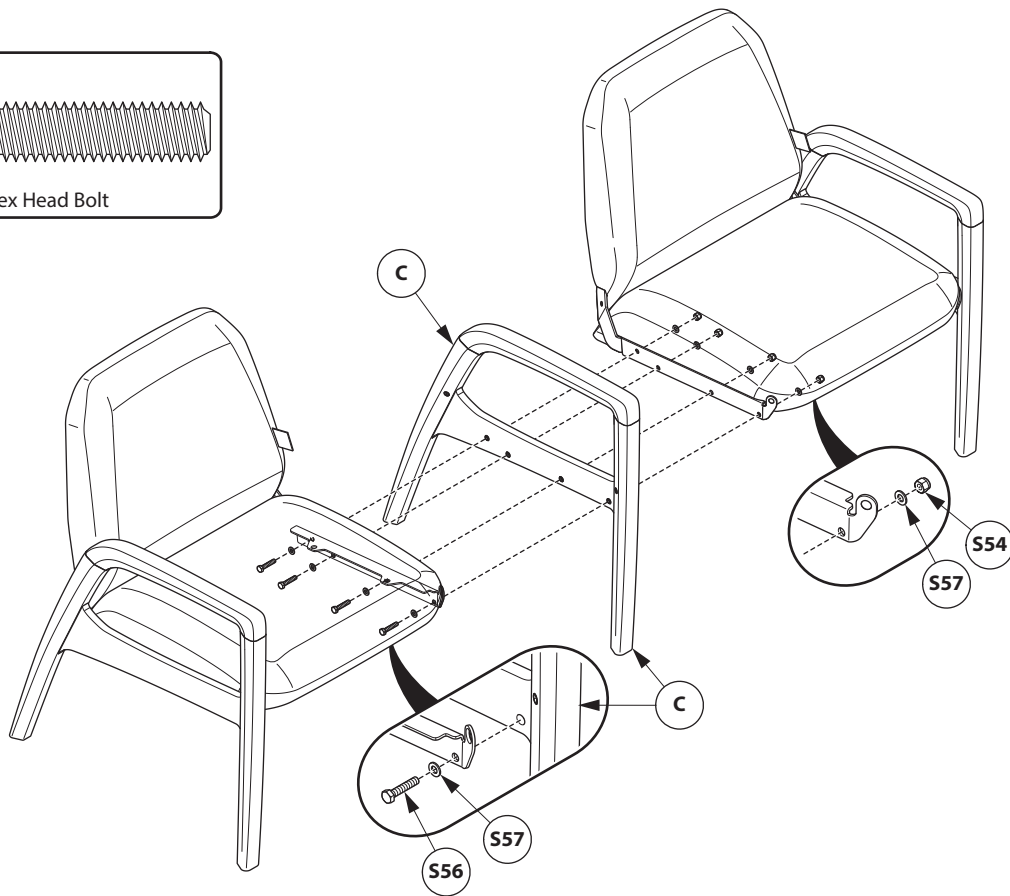
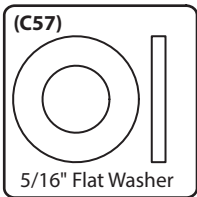
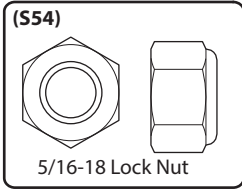
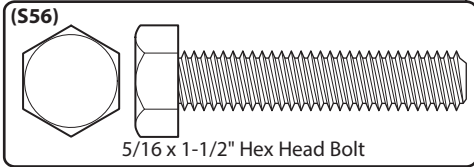


Corner Table

2c



Tandem



▲ IMPORTANT

▲ TANDEM SEATING WILL ALWAYS HAVE ARMS INSTALLED ON EACH END

