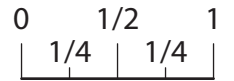


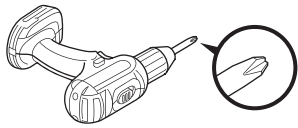
ACTIVE COMPONENTS®

Center Screen
Installation Instructions

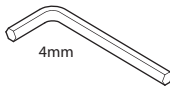


Scale 1 : 1

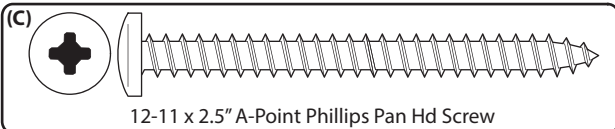
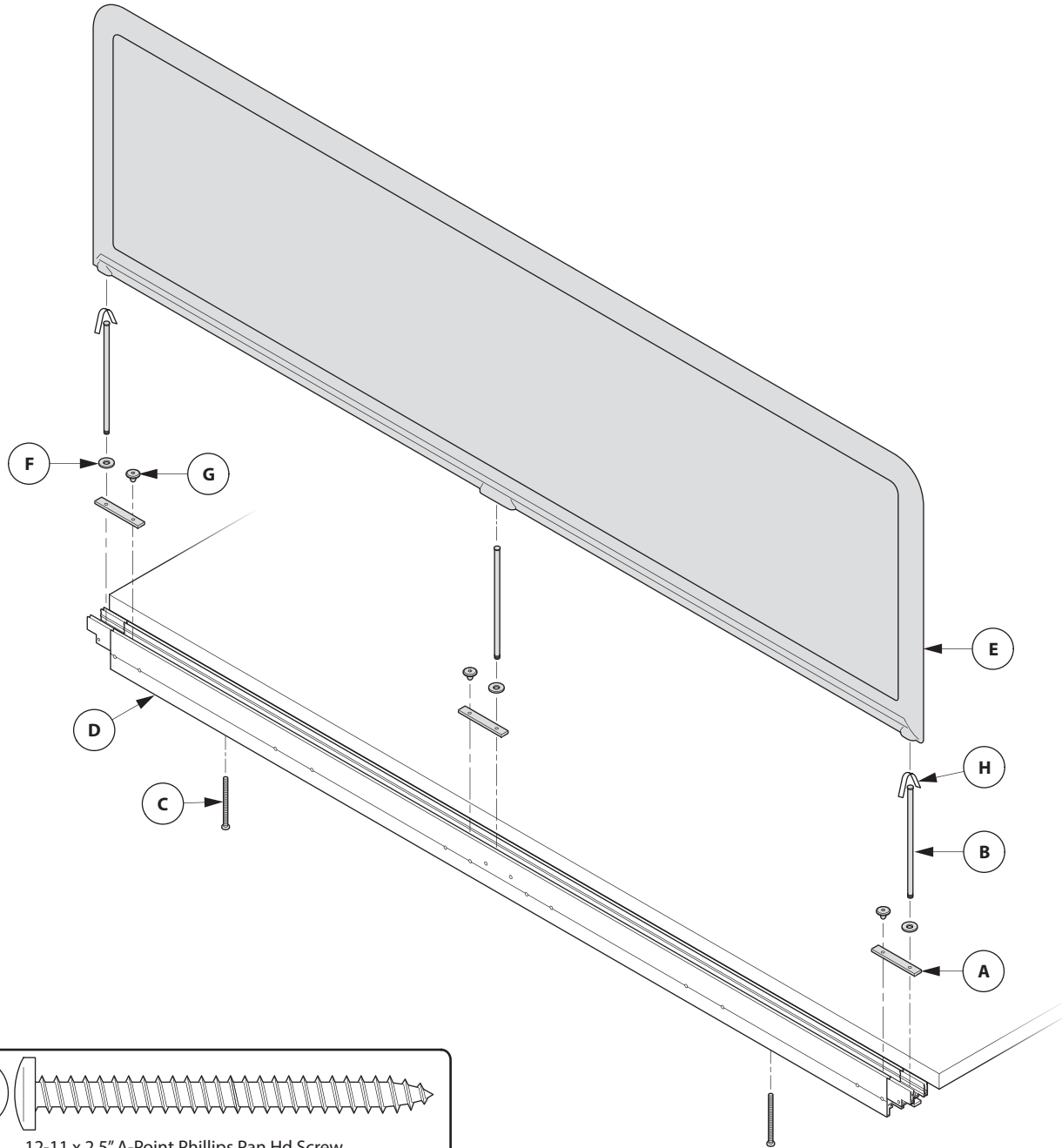
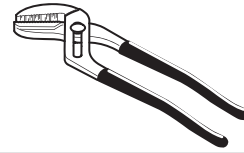
Tools Required



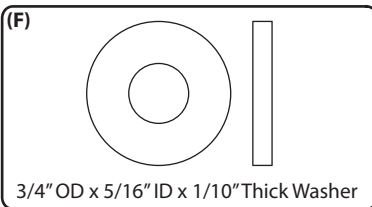
9/32"
Drill



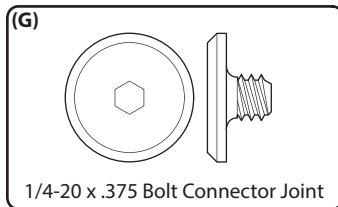
4mm



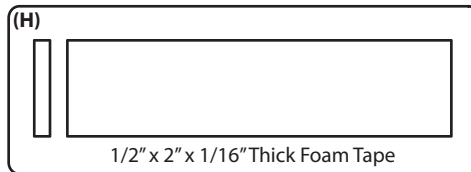
12-11 x 2.5" A-Point Phillips Pan Hd Screw



3/4" OD x 5/16" ID x 1/10" Thick Washer



1/4-20 x .375 Bolt Connector Joint



1/2" x 2" x 1/16" Thick Foam Tape

CUSTOMER SERVICE PHONE: 1-800-426-8562

HAWORTH®

E.C.O. No: 245-593

Page: 1 of 5

Part No: 7029-9996

Rev: 2

1

Drill holes into Intuity rail for future use. Hole locations are described below.

42" Screen – Drill a 9/32" hole 10-7/16" in from each side of the rail

48" Screen – Drill a 9/32" hole 11-15/16" in from each side of the rail

60" Screen – Drill a 9/32" hole 14-15/16" in from each side of the rail

72" Screen – Drill a 9/32" hole 17-15/16" in from each side of the rail

Hole Locations

42" Screen



48" Screen



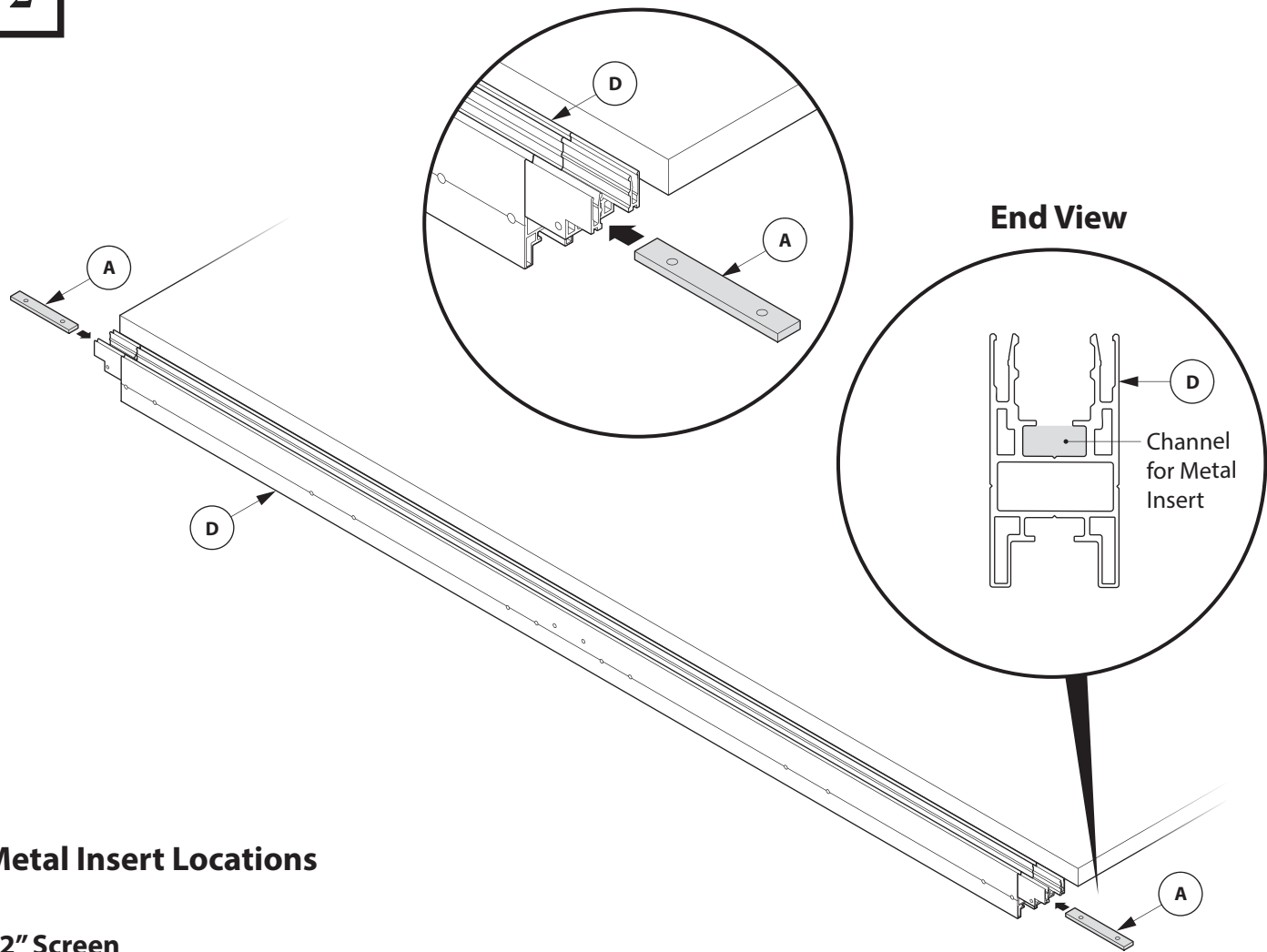
60" Screen



72" Screen

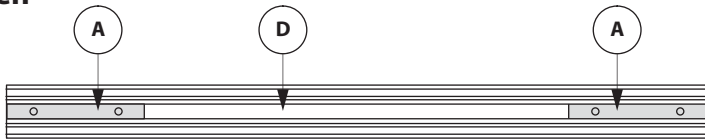


2



Metal Insert Locations

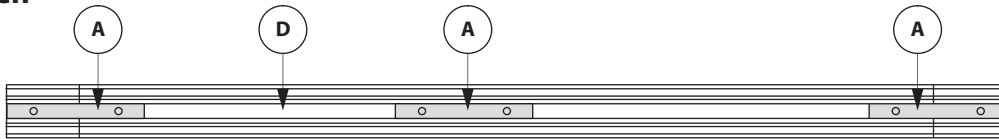
42" Screen



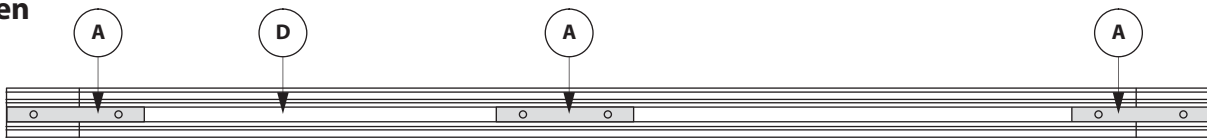
48" Screen



60" Screen



72" Screen



CUSTOMER SERVICE PHONE: 1-800-426-8562

HAWORTH[®]

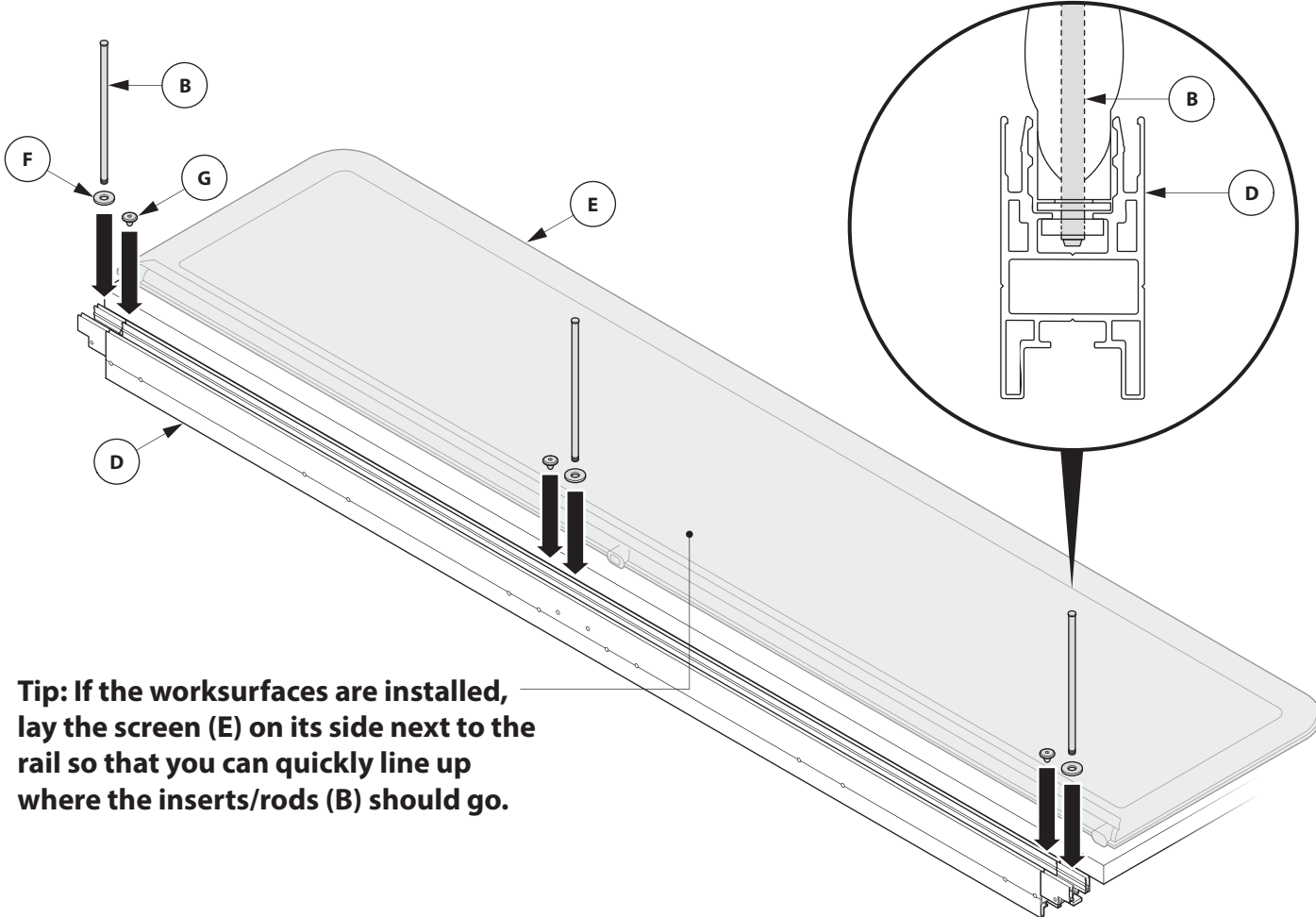
E.C.O. No: 245-593

Page: 3 of 5

Part No: 7029-9996

Rev: 2

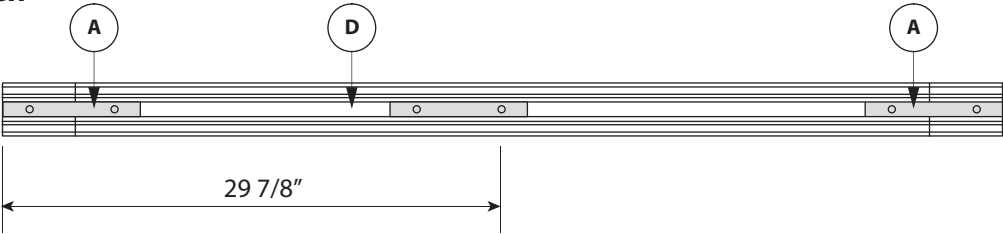
3 The inserts/rods (B) on each end need to go as close to the edge as they can as the screen (E) will fill the entire rail (D).



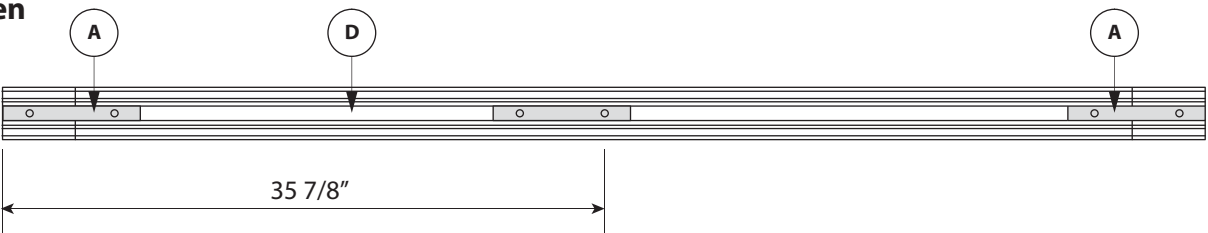
Tip: If the worksurfaces are installed, lay the screen (E) on its side next to the rail so that you can quickly line up where the inserts/rods (B) should go.

3a The location of center rod for the 60" & 72" is as follows.
 For 60" screen locate center rod 29 7/8" from the end of the rail.
 For 72" screen locate center rod 35 7/8" from the end of the rail.

60" Screen

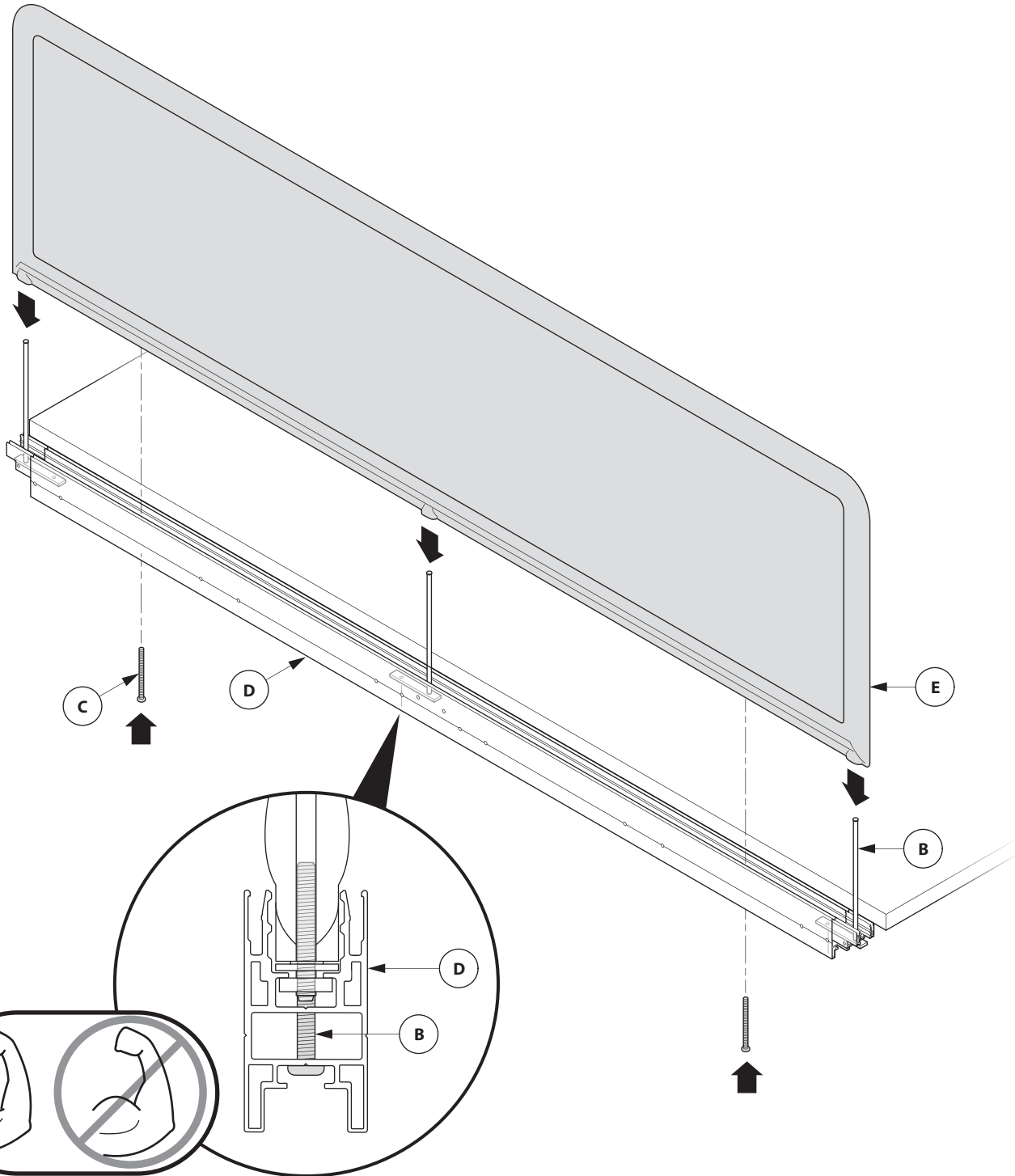
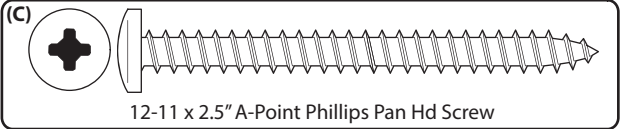


72" Screen



CUSTOMER SERVICE PHONE: 1-800-426-8562

4



Note: Insert screw through previously drilled holes.

CUSTOMER SERVICE PHONE: 1-800-426-8562

HAWORTH[®]

E.C.O. No: 245-593

Page: 5 of 5

Part No: 7029-9996

Rev: 2