

ANCHOR PLATE Installation Instructions

Tools Required

Power Drill
Ratchet Wrench

NOTE: The Haworth anchor plate is designed to be used with PLACES®, UniGroup®, and PREMISE® furniture systems. The anchor plate mounts to the floor with two (2) 5/8" diameter x 2-9/16" long anchor bolts, complying with the latest ICBO report No. 2895 installation specifications.

1. Before setting panels in place, extend the glide stem an additional 1/4" to provide clearance for the anchor plate.

2. Follow the appropriate PLACES, UniGroup or PREMISE panel installation procedures.

3. Determine location for anchor plates.

NOTE: Local code may dictate cubicle configuration and anchor locations.

4. Slide anchor plate around glide stem and use holes in anchor plate as a template to mark floor for location of bolt holes (**Fig. 1**).

5. Remove the anchor plate from the glide stem and follow instructions from the anchor bolt manufacturer for drilling anchoring holes (**Fig. 2**).

6. Replace anchor plate and install anchor bolts (**Fig. 3**).

7. Repeat the above procedure for furniture configuration as required by the appropriate regulatory agency.

OSHPD Approval

The California Office of Statewide Health Planning and Development (OSHPD) requires furniture systems in excess of 5' 9" tall to be anchored in an approved method. Contact your local Haworth Field Sales Engineer or Design Consultant for specific design and installation requirements and the OSHPD pre-approval documentation.

FIG.1

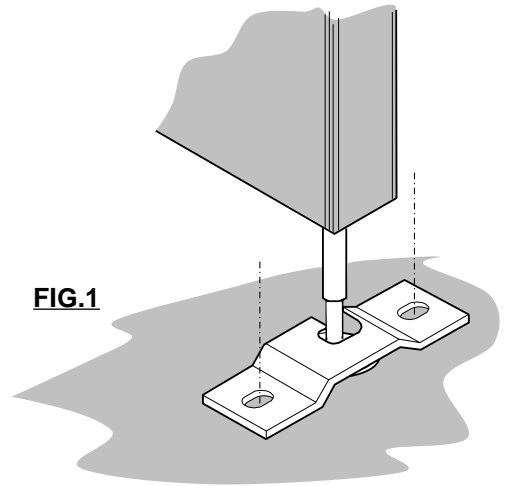


FIG.2

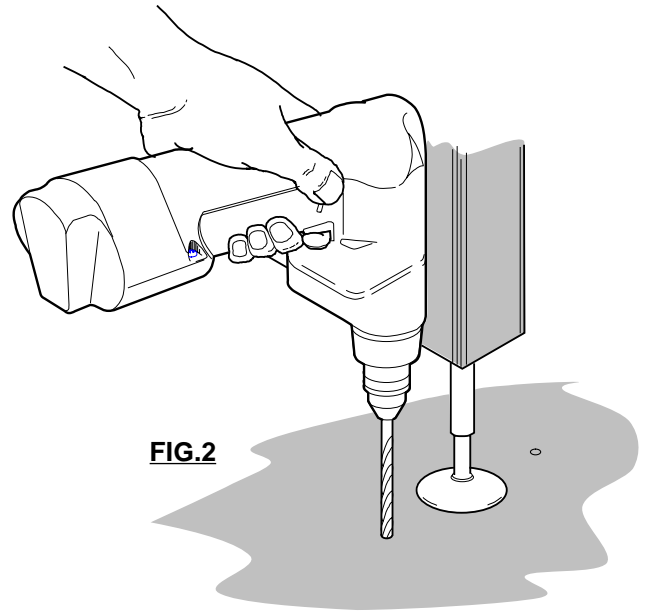
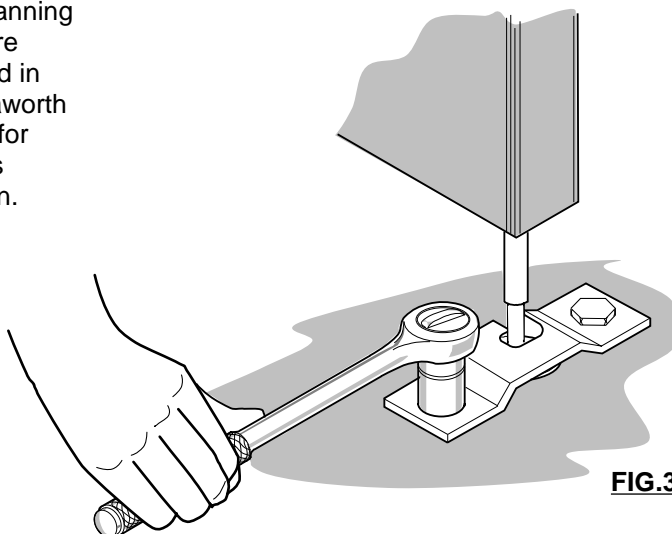


FIG.3



CUSTOMER SERVICE PHONE: 1-800-426-8562

HAWORTH®

E.C.O. No: 209-870

Page: 1 of 1

Part No: 7021-6883

Rev. B