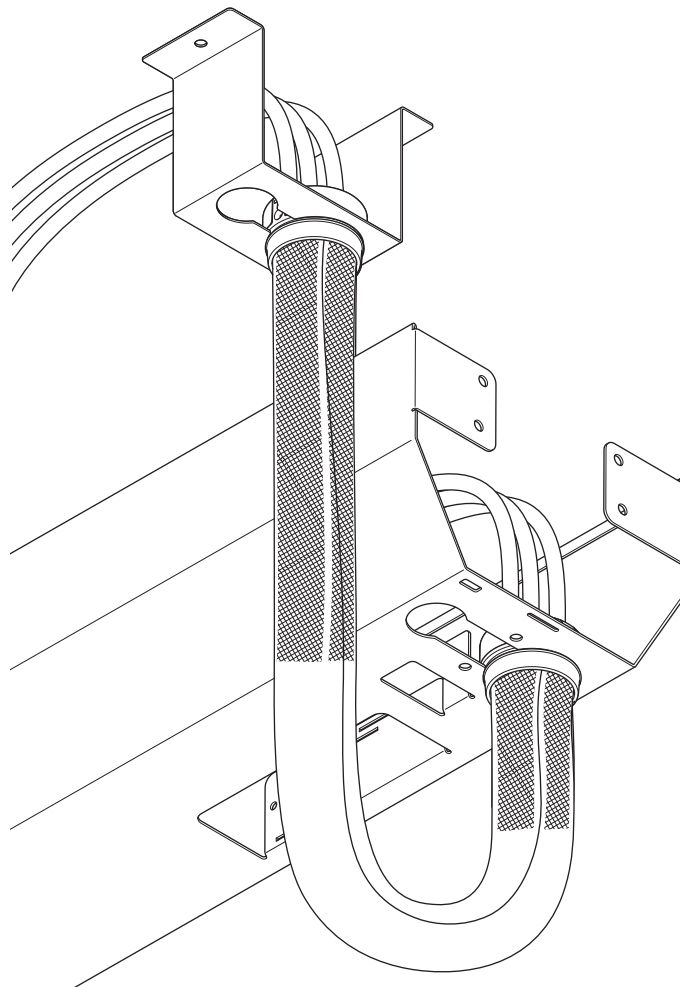


HAWORTH

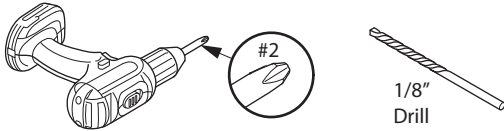
Upside Bench

Assembly Instructions

Mesh Cord Manager Bracket

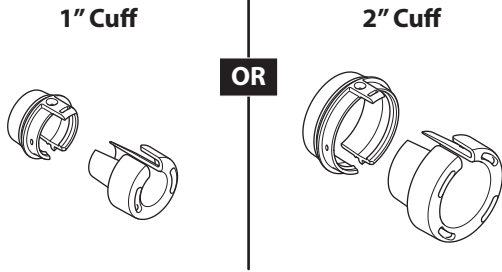


Tools Required

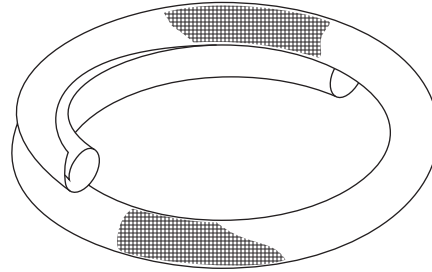


NOTE: Cuff and Mesh Sleeve are ordered separately.

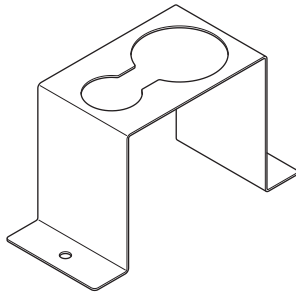
(AC) 1" or 2" Cuff - Qty. 1



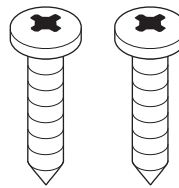
(AD) Mesh Sleeve - Qty. 1



(BB) Cable Braid Bracket - Qty. 1



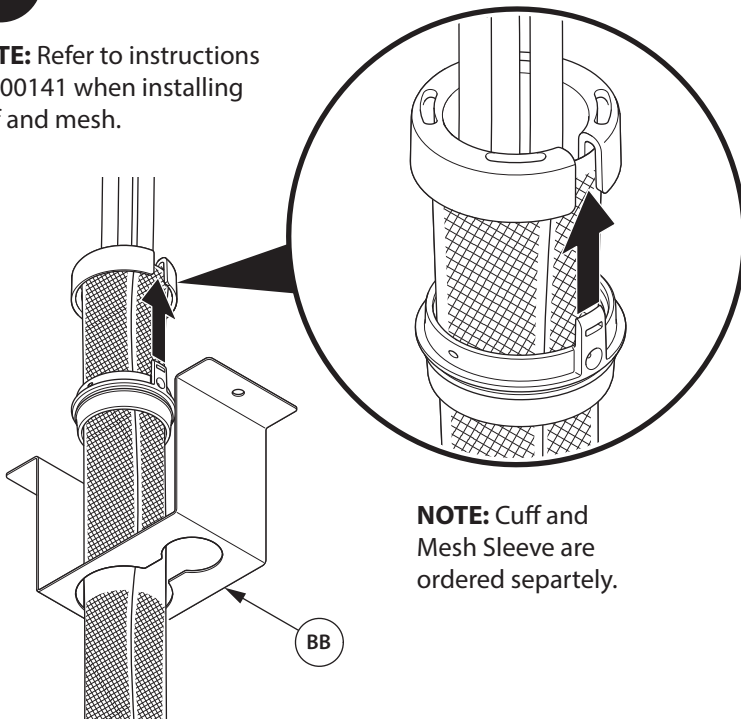
(S1) #10 X 1" Pan Head Screw - Qty. 2



1

Install cuff (AC) with mesh sleeve (AD)

NOTE: Refer to instructions 61000141 when installing cuff and mesh.



2

Install bracket (BB) to underside of worksurface

