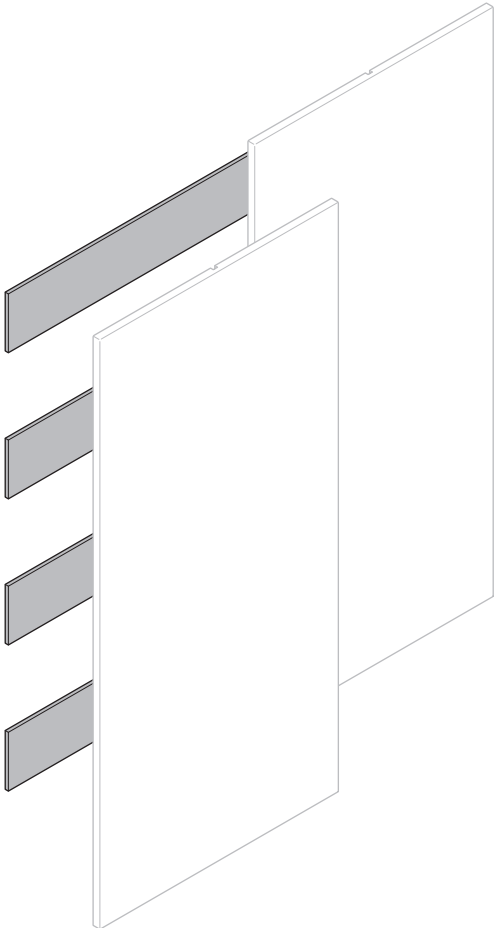


Masters

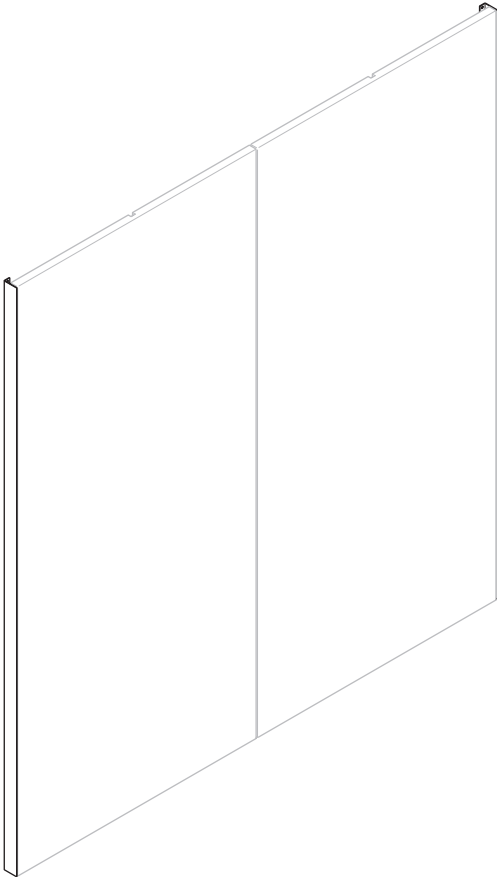
Assembly Instructions

Wall Mount Spacers and Vertical Filler Trim.

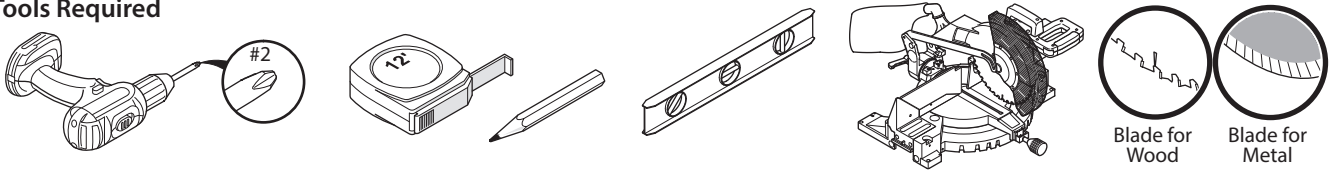
Wall Mount Spacers



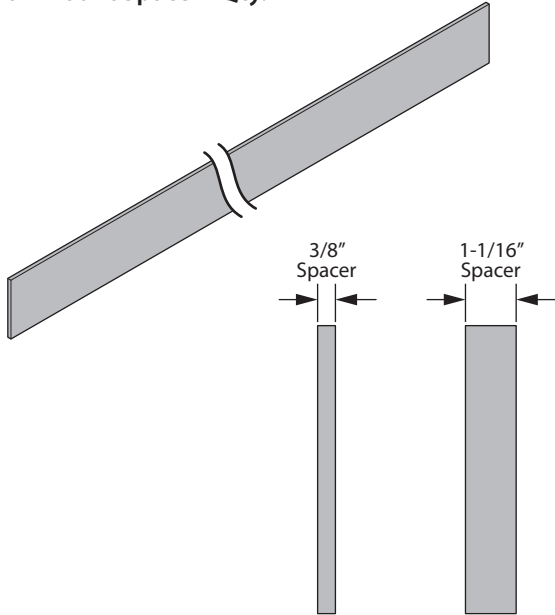
Vertical Filler Trim



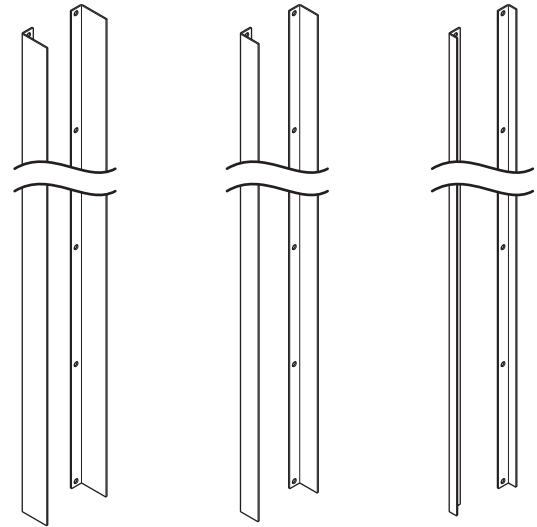
Tools Required



(J) Wall Mount Spacer - Qty. 1



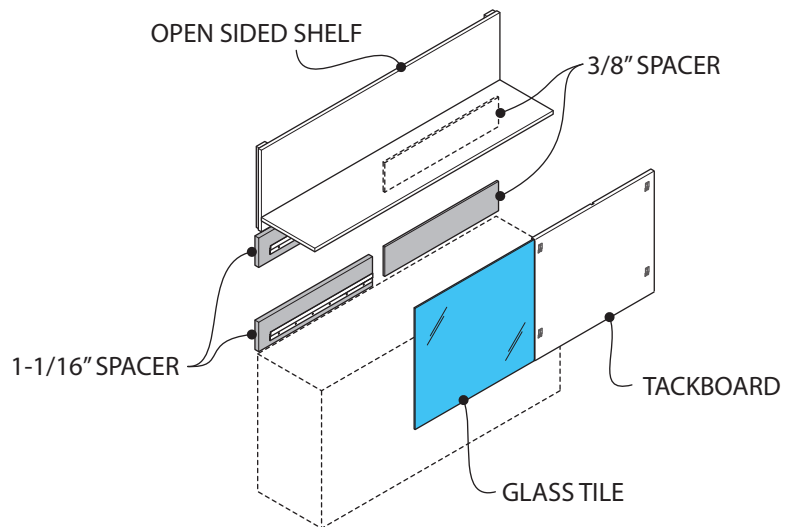
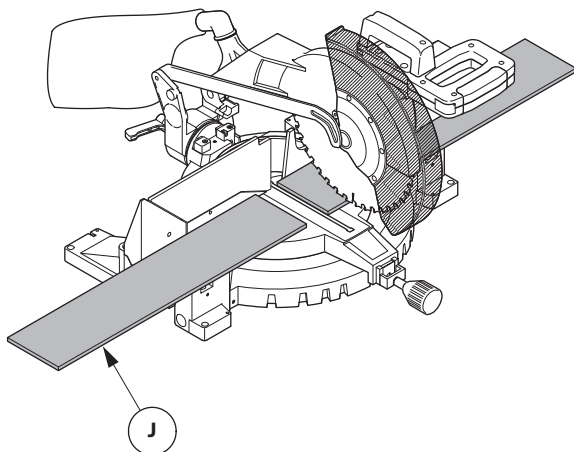
(K) Vertical Filler Trim - Qty. 2



1

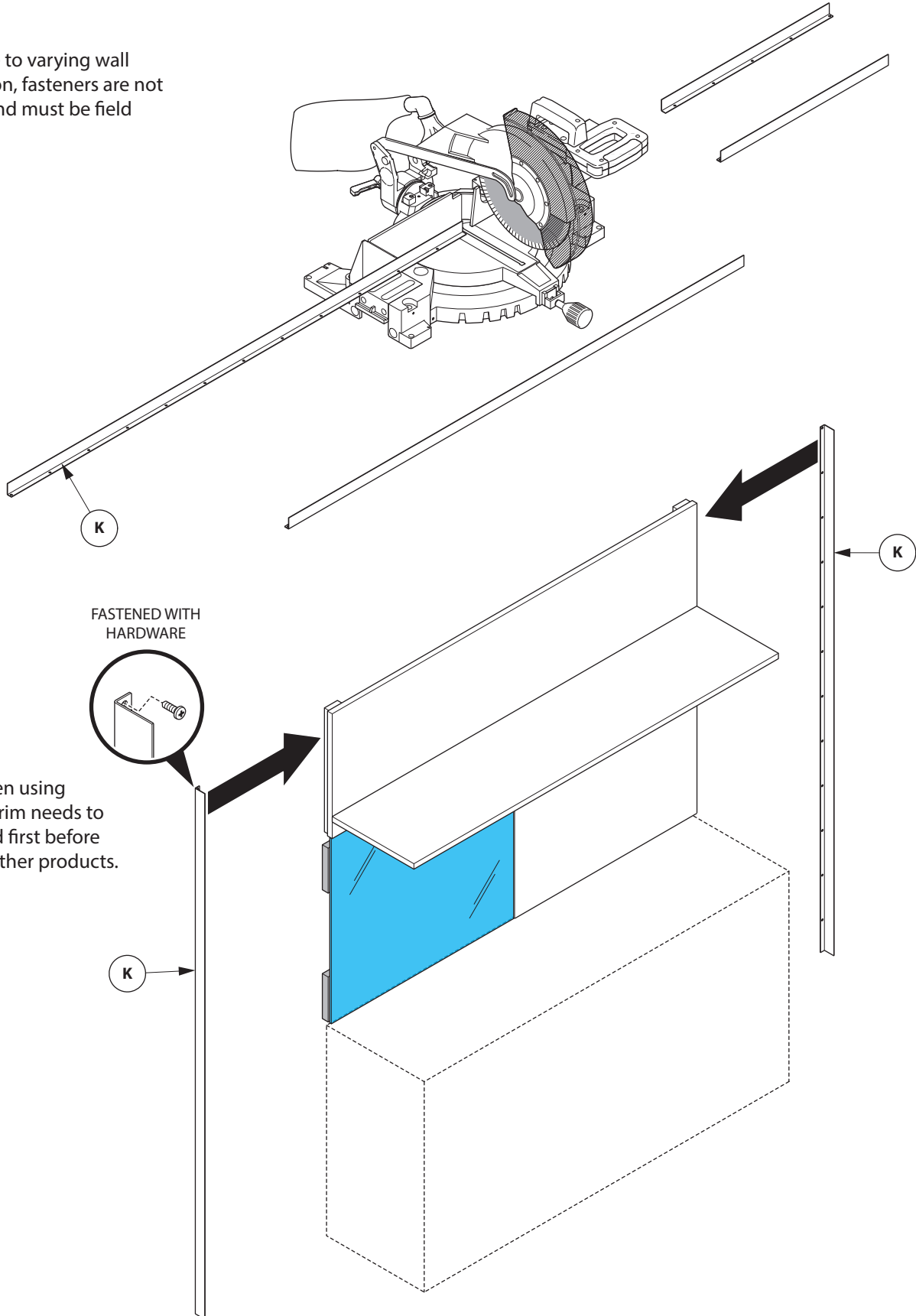
Cut and install spacers (J) as needed. Refer to last page for spacer references.

NOTE: Due to varying wall construction, fasteners are not included and must be field supplied.



2 Cut and install trim (K) as needed. Refer to last page for trim references.

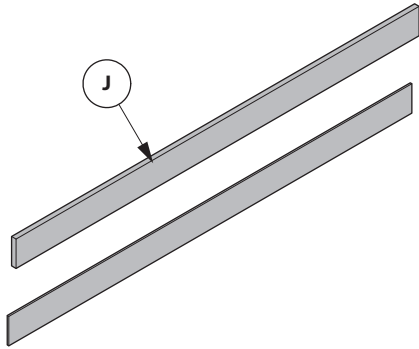
NOTE: Due to varying wall construction, fasteners are not included and must be field supplied.



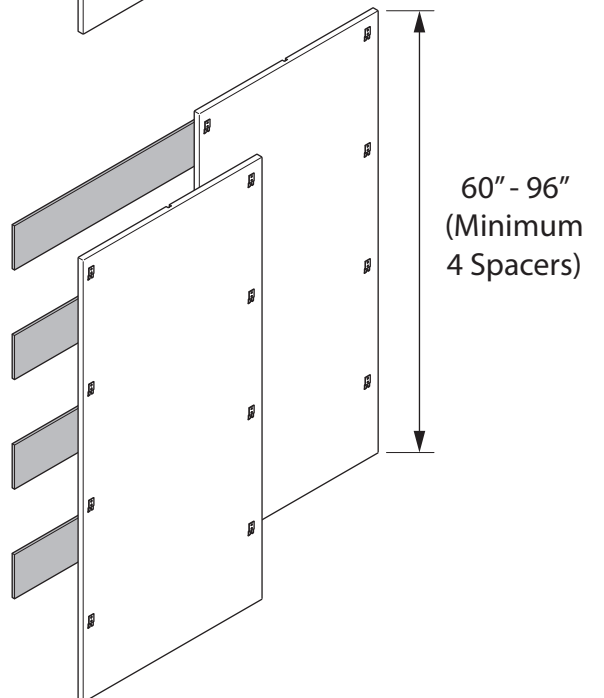
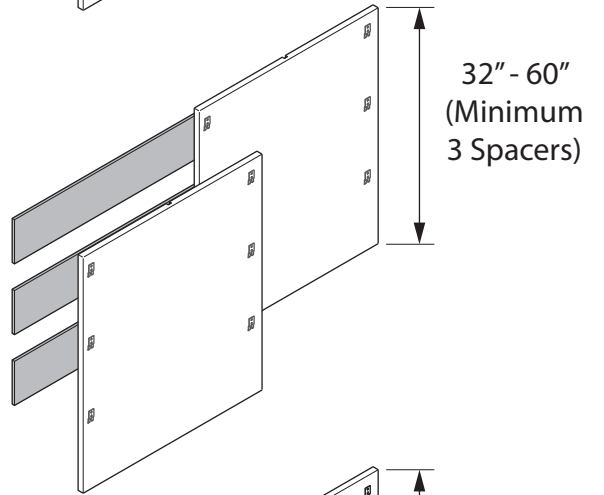
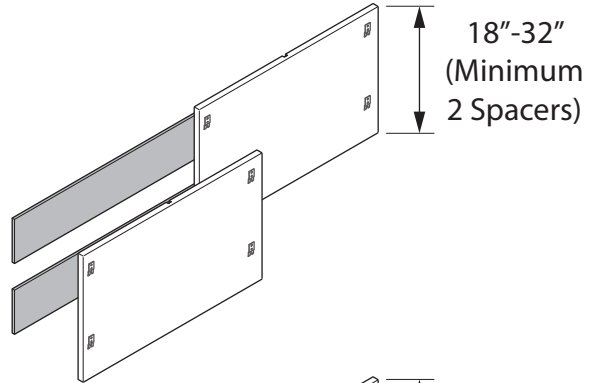
FASTENED WITH
HARDWARE

NOTE: When using fasteners, trim needs to be installed first before installing other products.

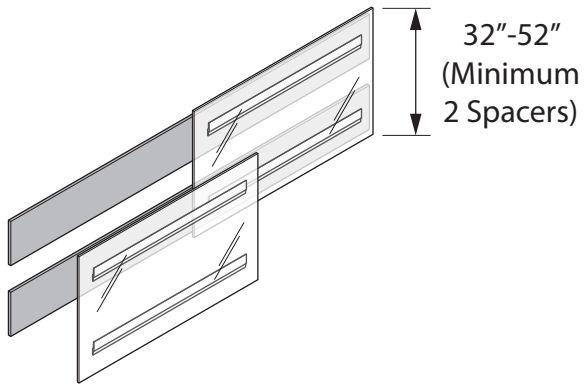
SPACER OPTIONS



Tackboard/Wall Mounted Tile

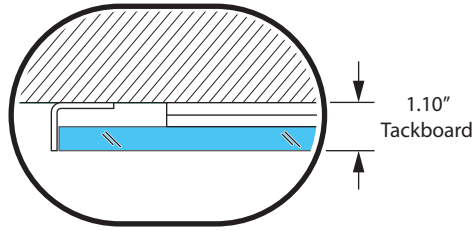


Glass Tile



SPACER & TRIM OPTIONS

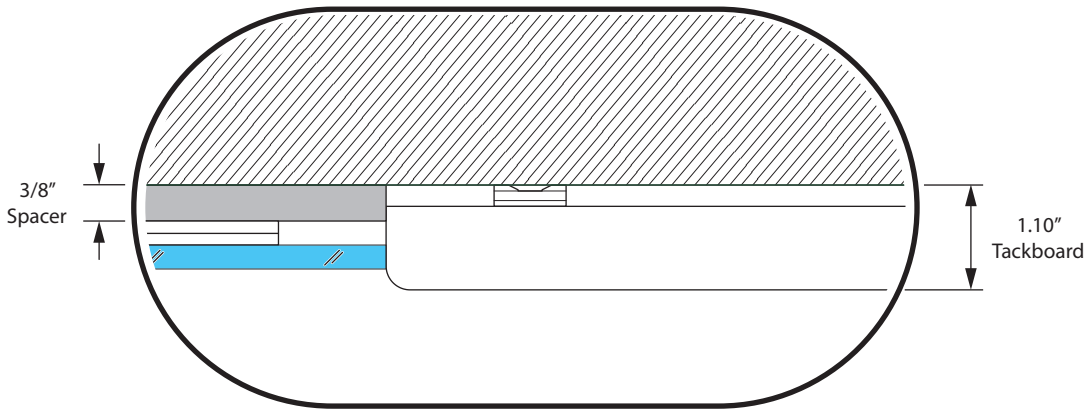
Glass Tile without Spacer



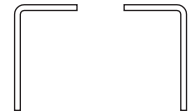
1/2" Trim



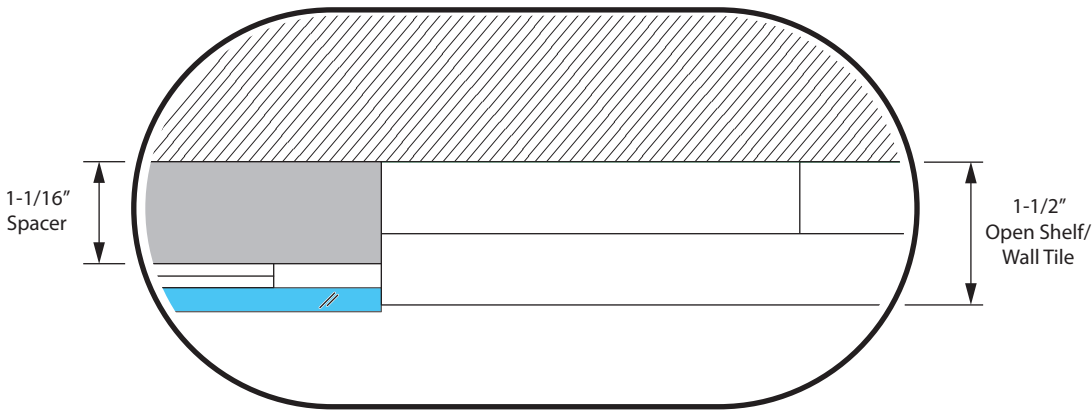
Glass Tile with Tackboard



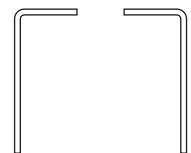
1.10" Trim



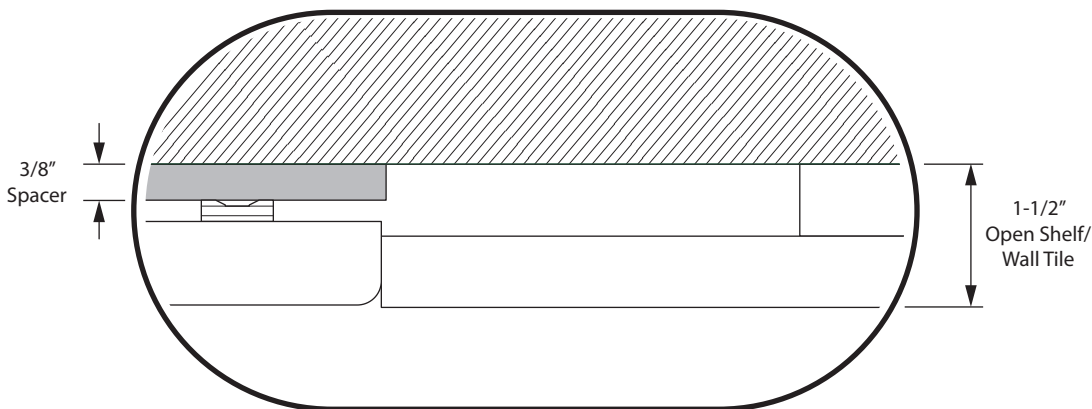
Glass Tile with Open Sided Shelf or Wall Mounted Tile



1-1/2" Trim



Tackboard with Open Sided Shelf or Wall Mounted Tile



1-1/2" Trim

