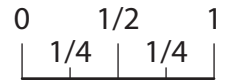
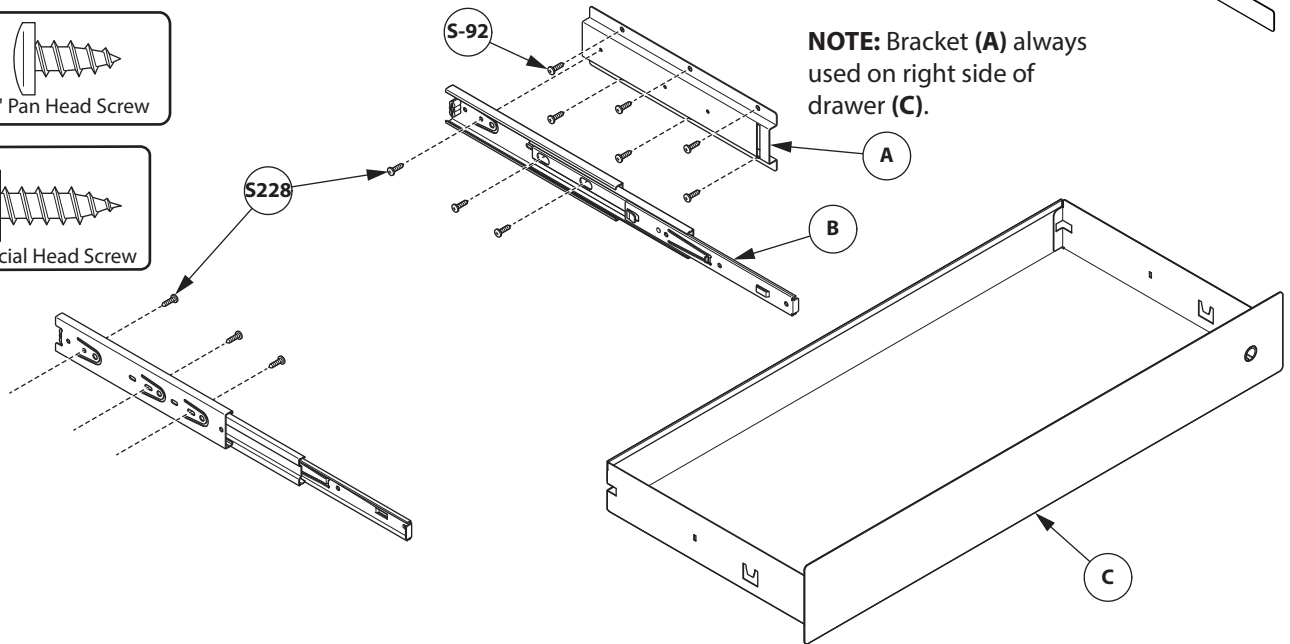
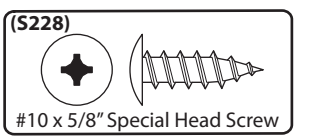
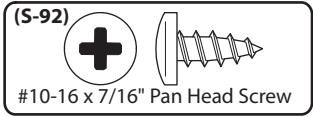
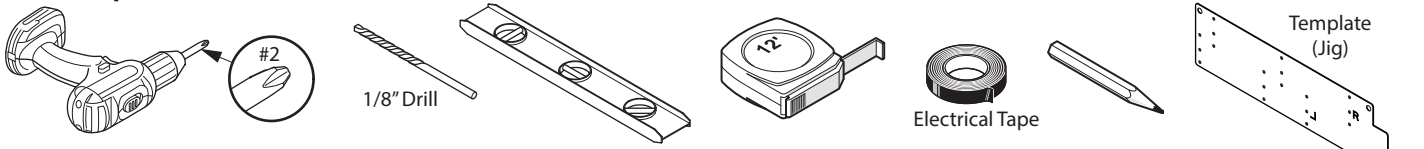


BE_HOLD™
Accessory Drawer
 Installation Instructions

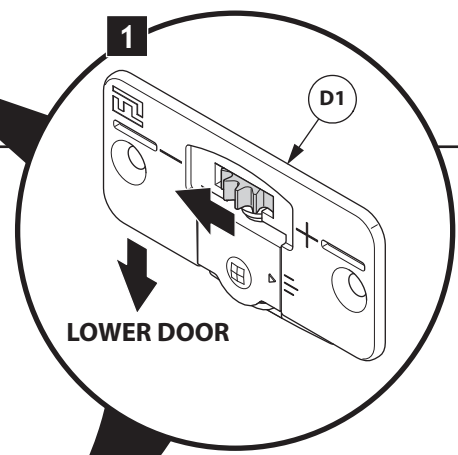
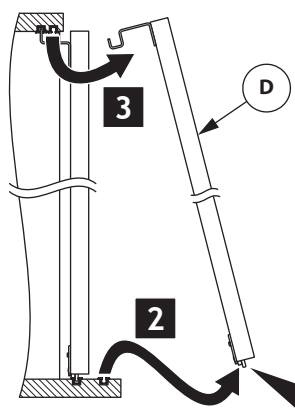
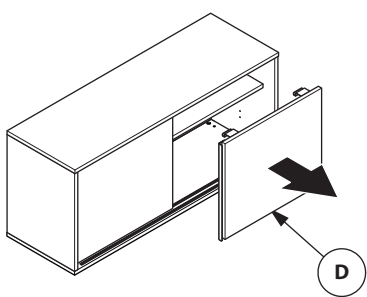


Scale 1 : 1

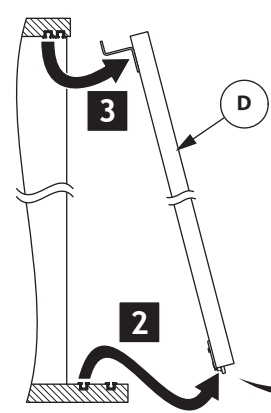
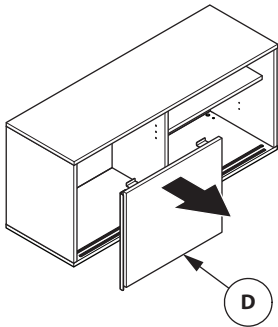
Tools Required



1



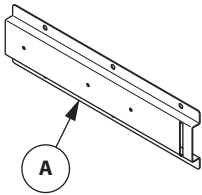
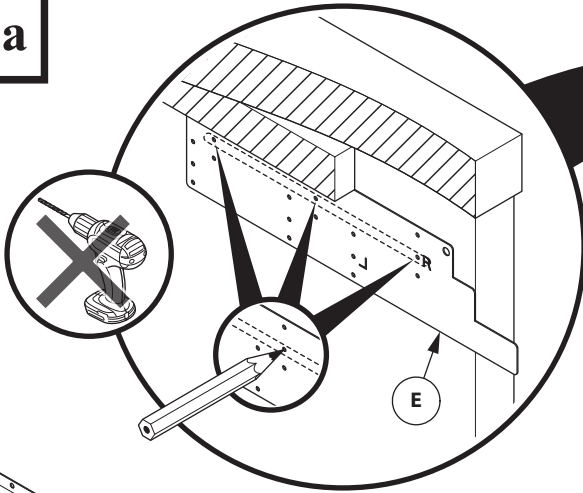
2



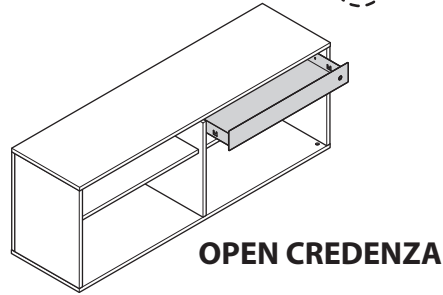
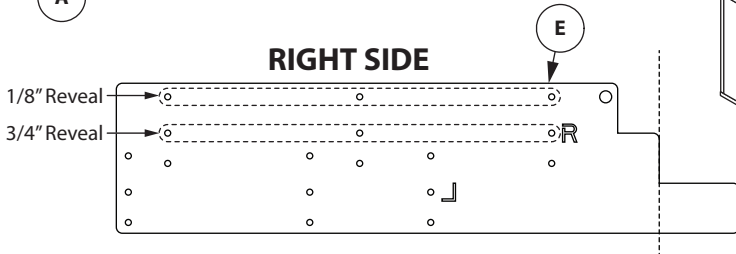
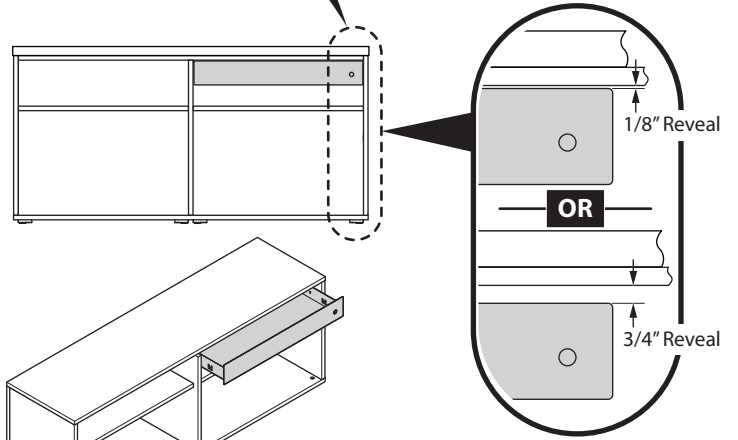
CUSTOMER SERVICE PHONE: 1-800-426-8562

FOR OPEN CREDENZA RIGHT END PANEL

3a

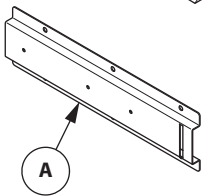
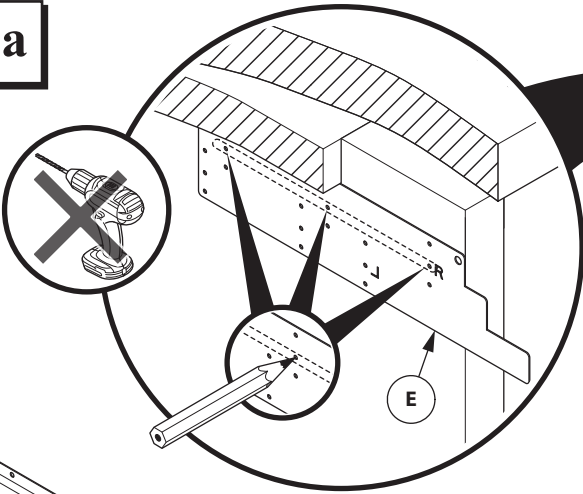


NOTE: Bracket (A) always used on right side of drawer (C).

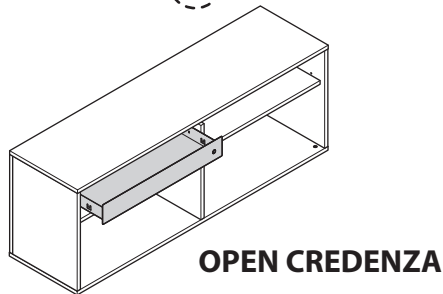
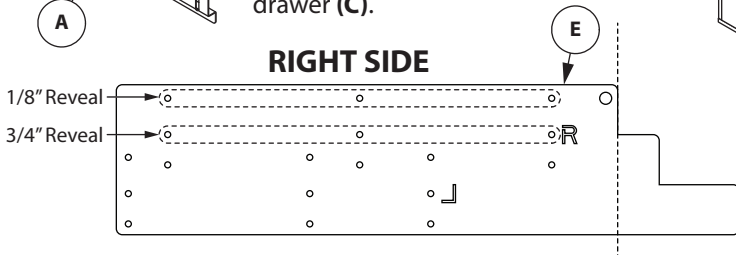
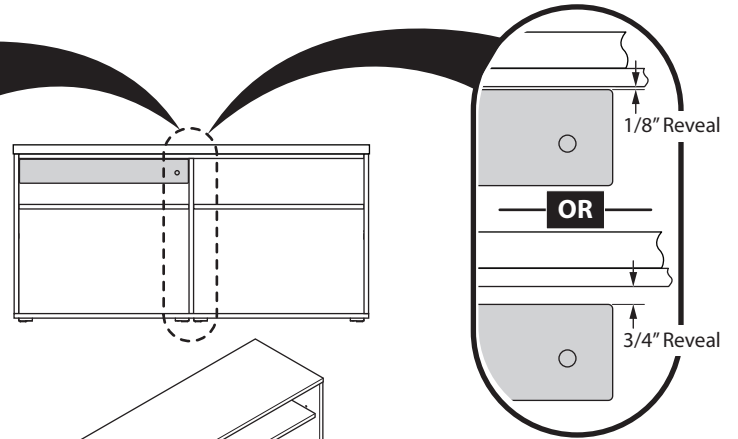


FOR OPEN CREDENZA DIVIDER

4a



NOTE: Bracket (A) always used on right side of drawer (C).



CUSTOMER SERVICE PHONE: 1-800-426-8562

HAWORTH

E.C.O. No: 781-431

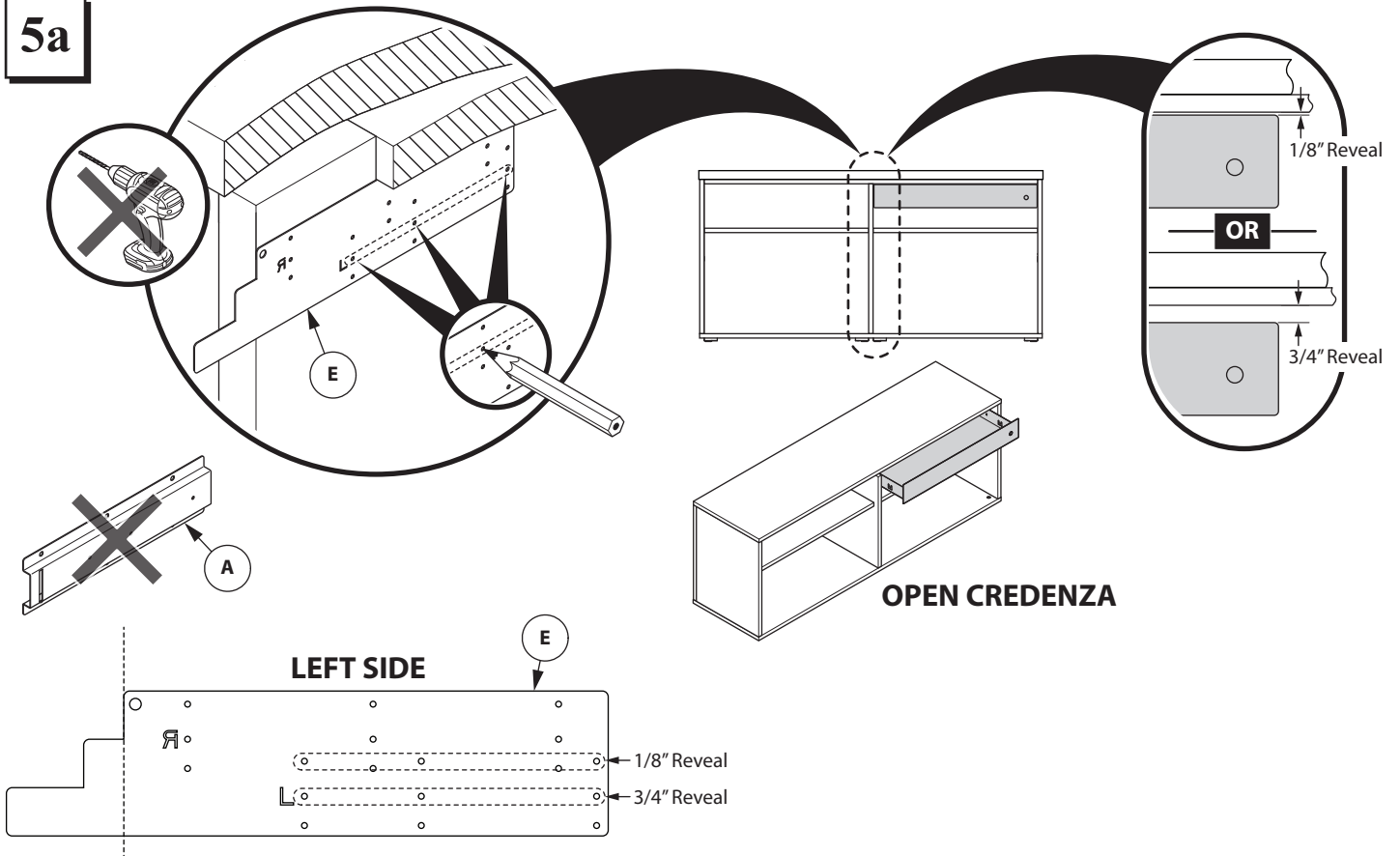
Page: 2 of 11

Part No: 6100-0122

Rev: 1

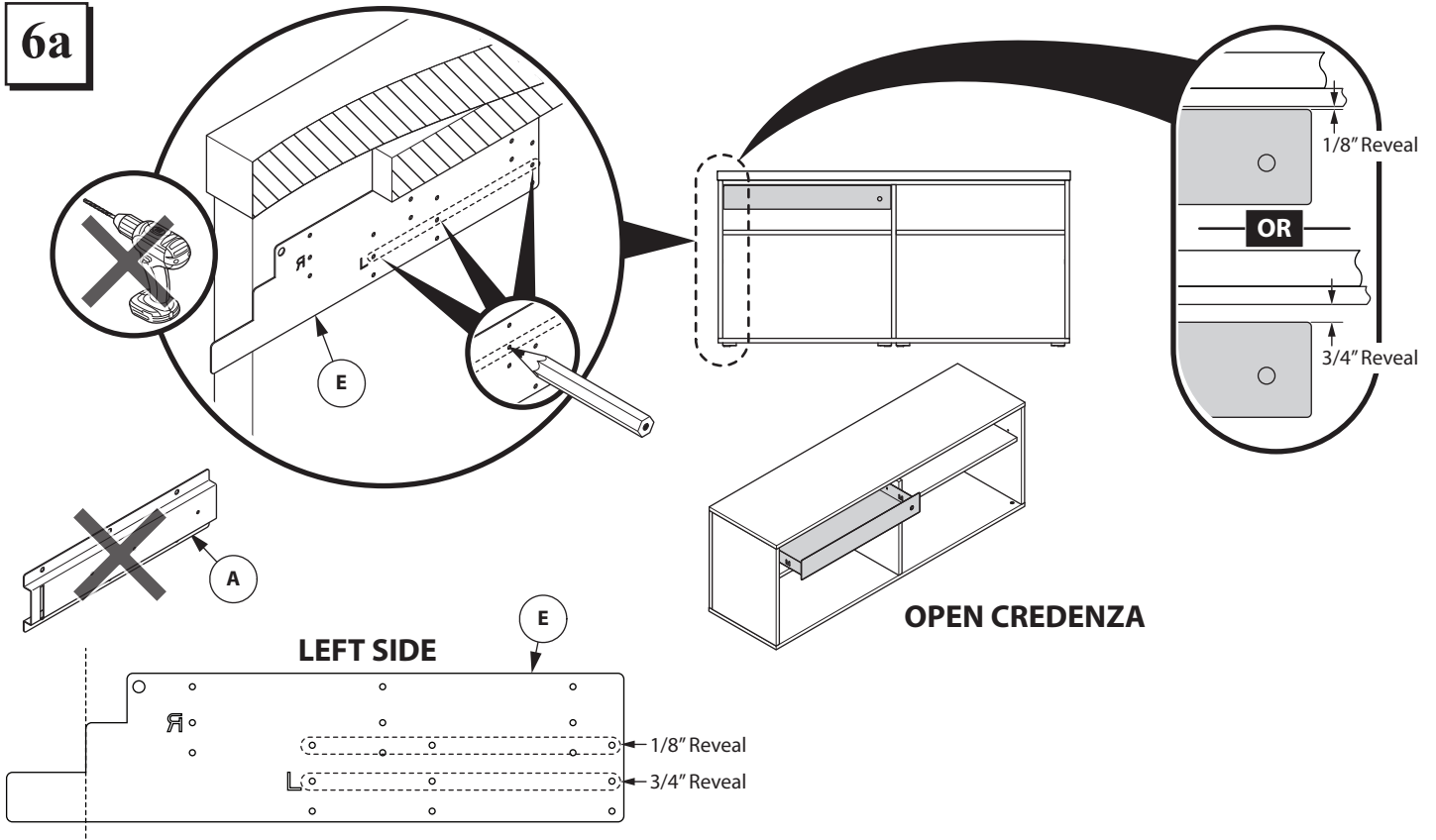
FOR OPEN CREDENZA DIVIDER

5a



FOR OPEN CREDENZA LEFT END PANEL

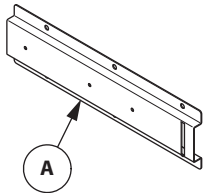
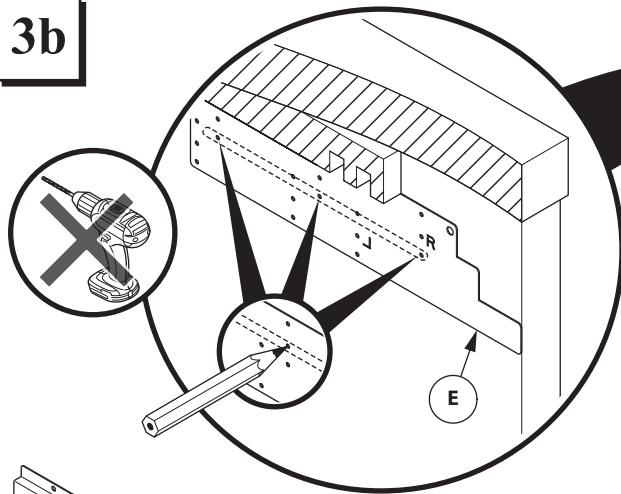
6a



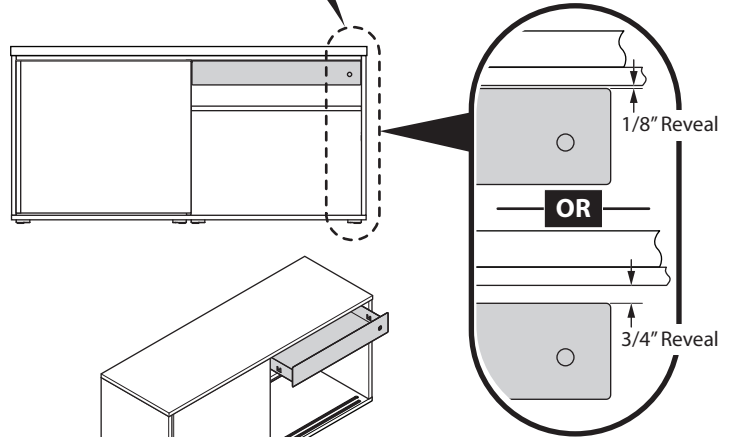
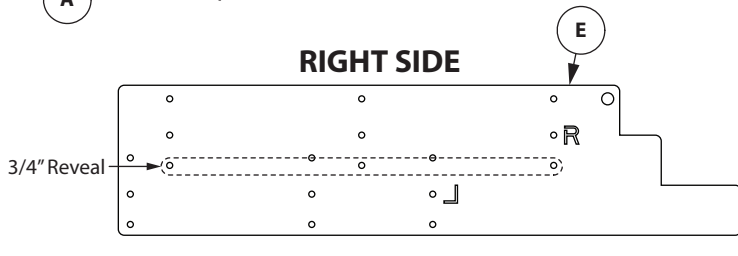
CUSTOMER SERVICE PHONE: 1-800-426-8562

FOR SLIDING CREDENZA RIGHT END PANEL

3b



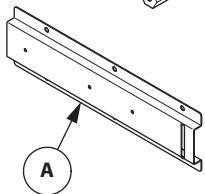
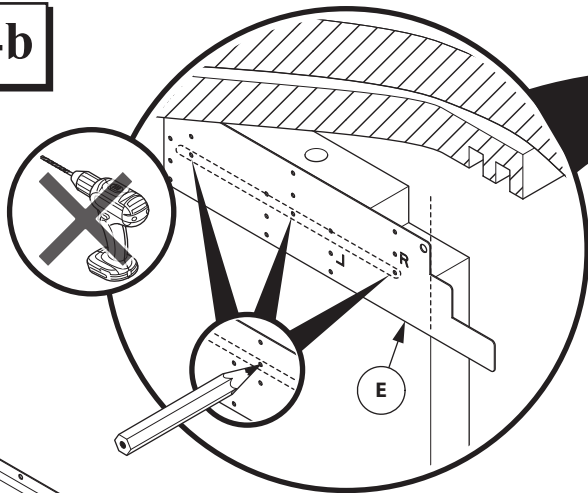
NOTE: Bracket (A) always used on right side of drawer (C).



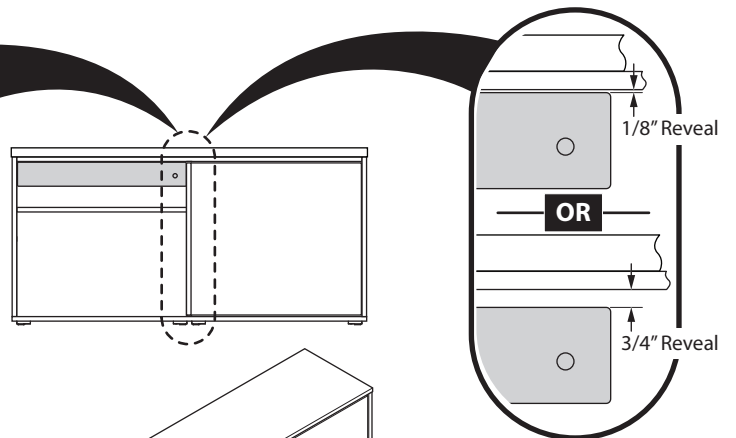
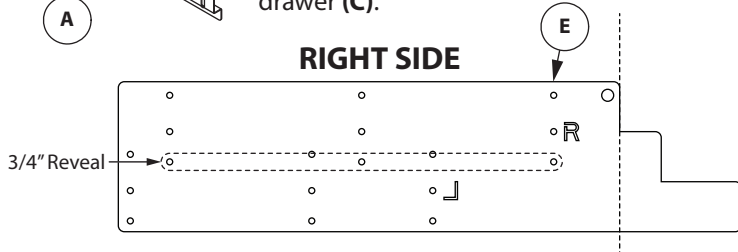
**SLIDING DOOR
CREDENZA**

FOR SLIDING CREDENZA DIVIDER

4b



NOTE: Bracket (A) always used on right side of drawer (C).

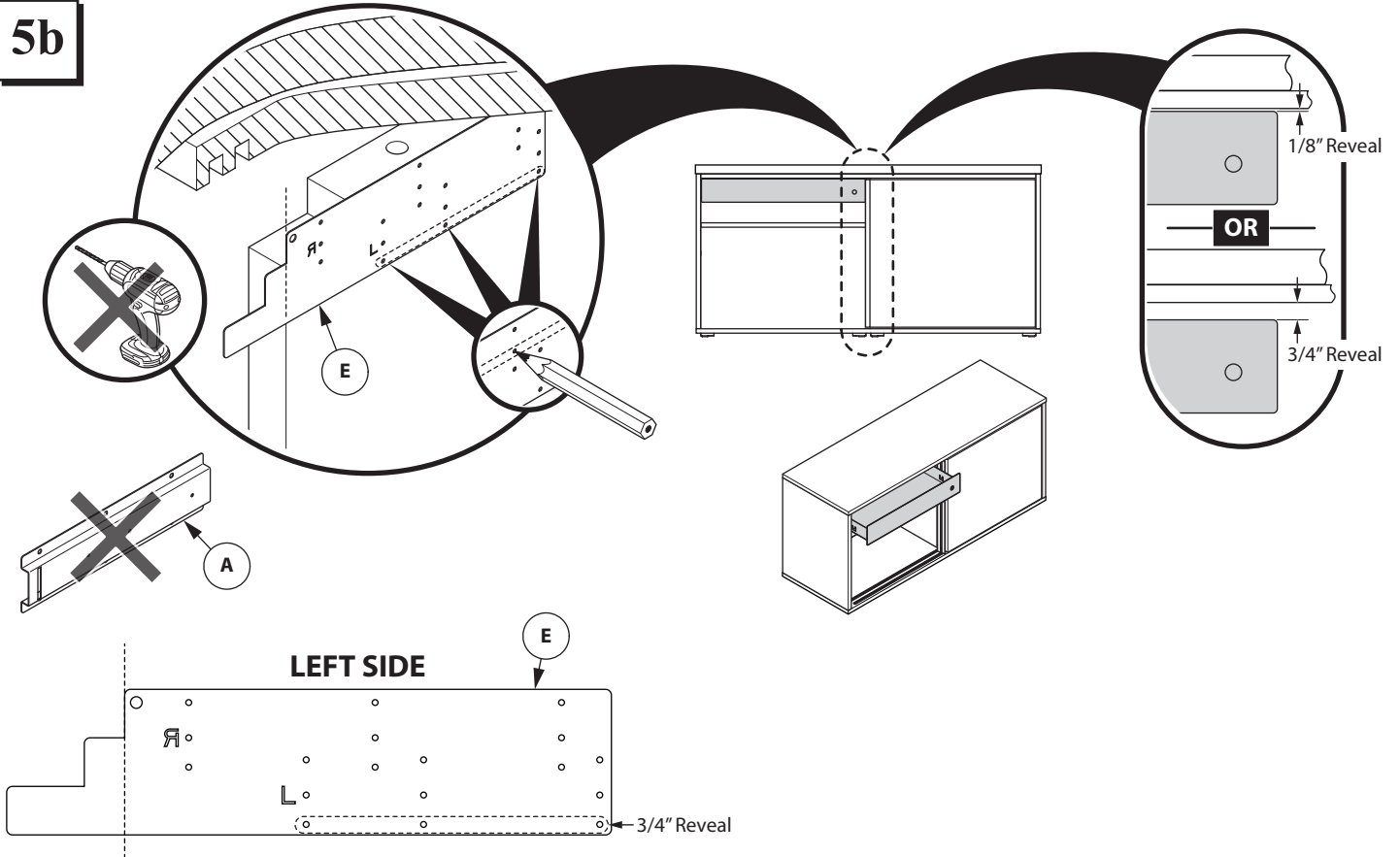


**SLIDING DOOR
CREDENZA**

CUSTOMER SERVICE PHONE: 1-800-426-8562

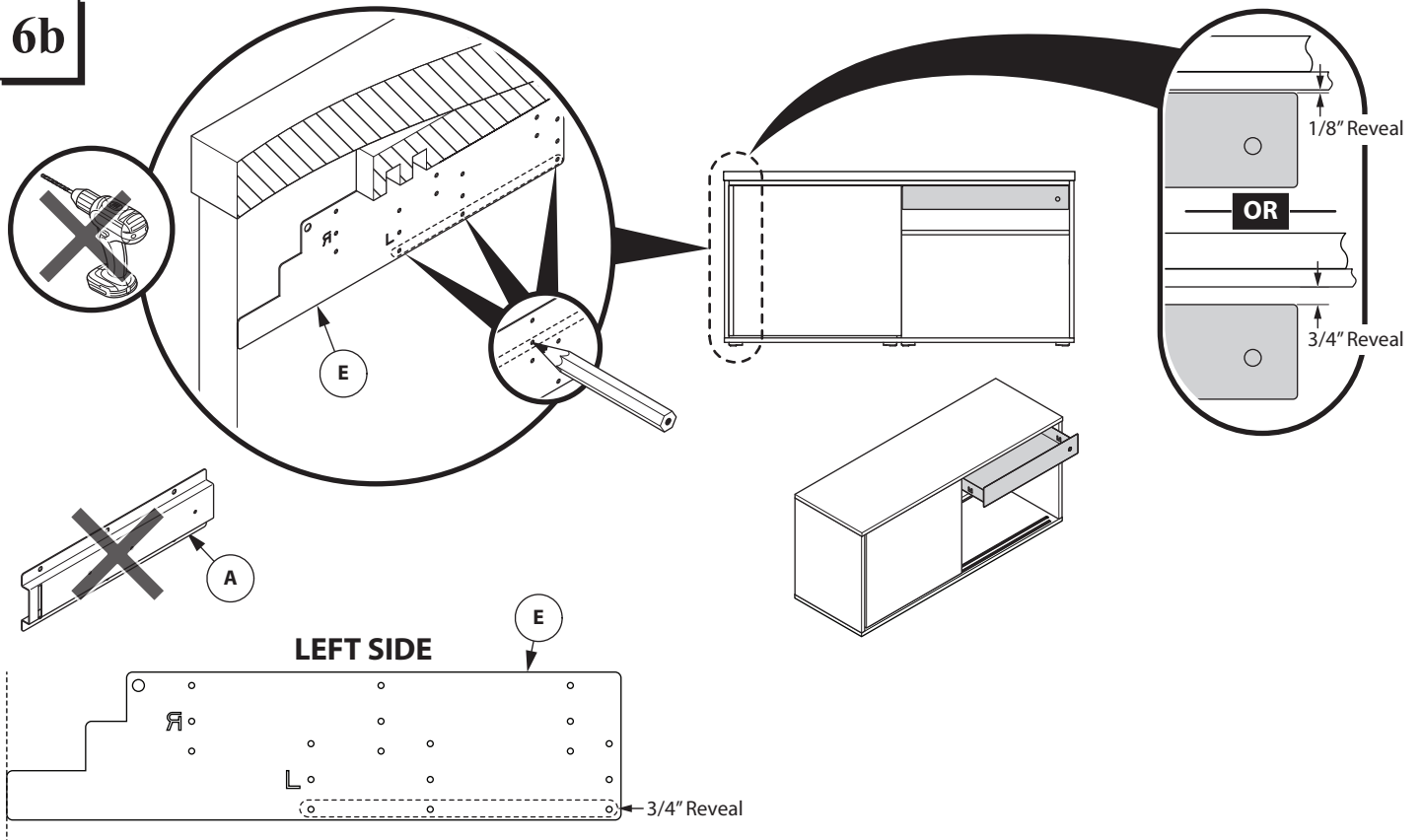
FOR SLIDING CRENZNA DIVIDER

5b



FOR SLIDING CRENZNA RIGHT END PANEL

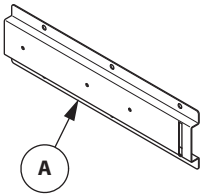
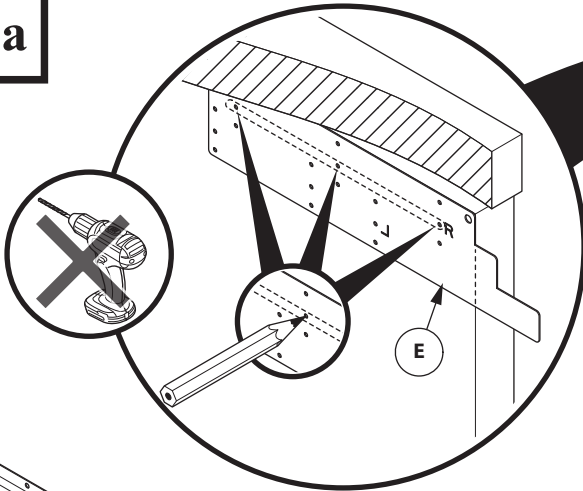
6b



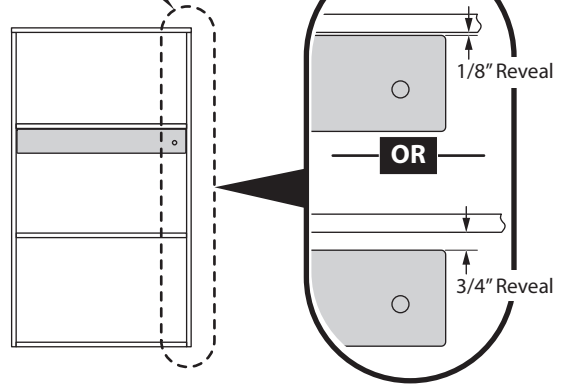
CUSTOMER SERVICE PHONE: 1-800-426-8562

FOR FIXED SHELF RIGHT END PANEL

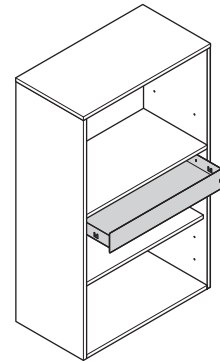
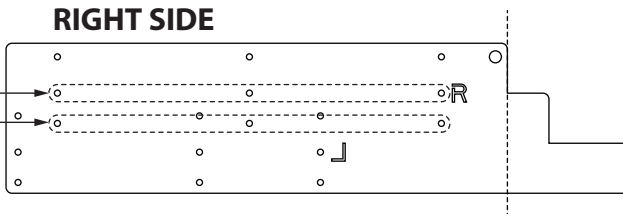
3a



NOTE: Bracket (A) always used on right side of drawer (C).



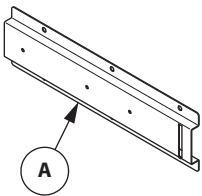
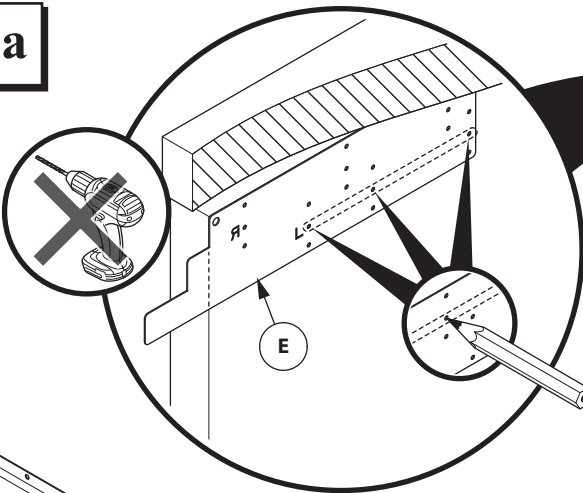
1/8" Reveal Fixed Shelf
3/4" Reveal Inset Top
3/4" Reveal Fixed Shelf



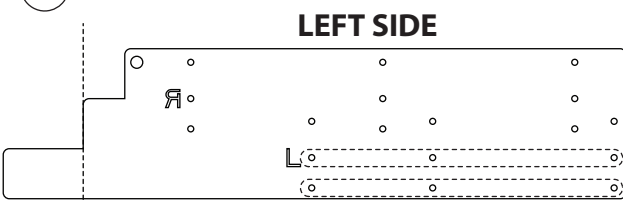
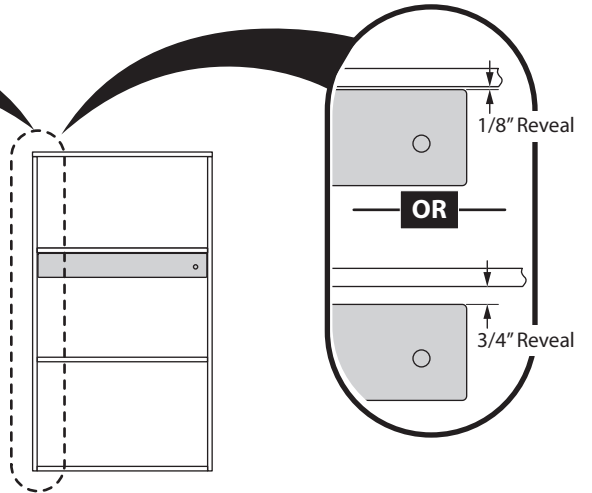
FIXED SHELF

FOR FIXED SHELF LEFT END PANEL

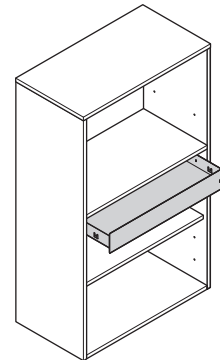
4a



NOTE: Bracket (A) always used on right side of drawer (C).



1/8" Reveal Fixed Shelf
3/4" Reveal Inset Top
3/4" Reveal Fixed Shelf

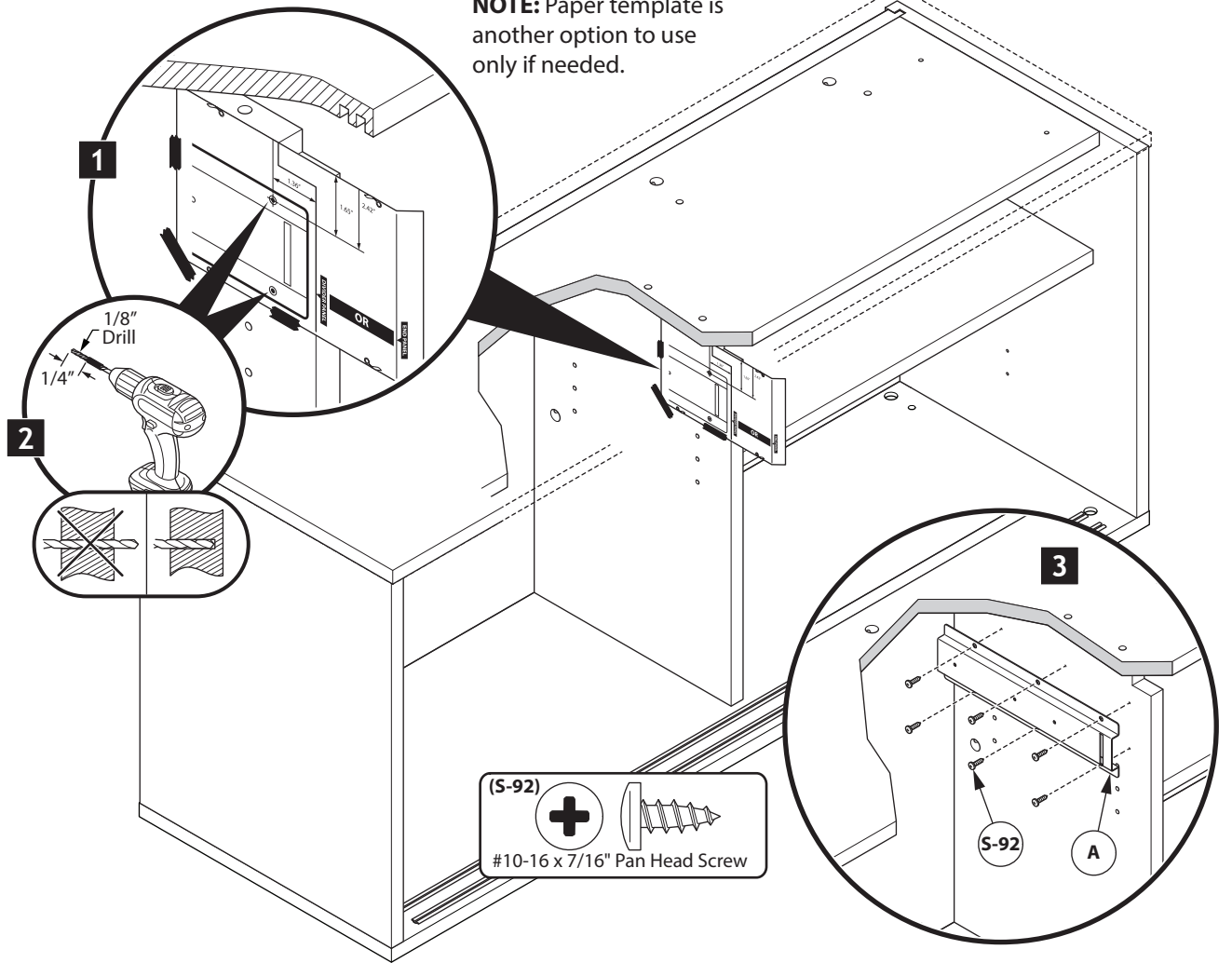


FIXED SHELF

CUSTOMER SERVICE PHONE: 1-800-426-8562

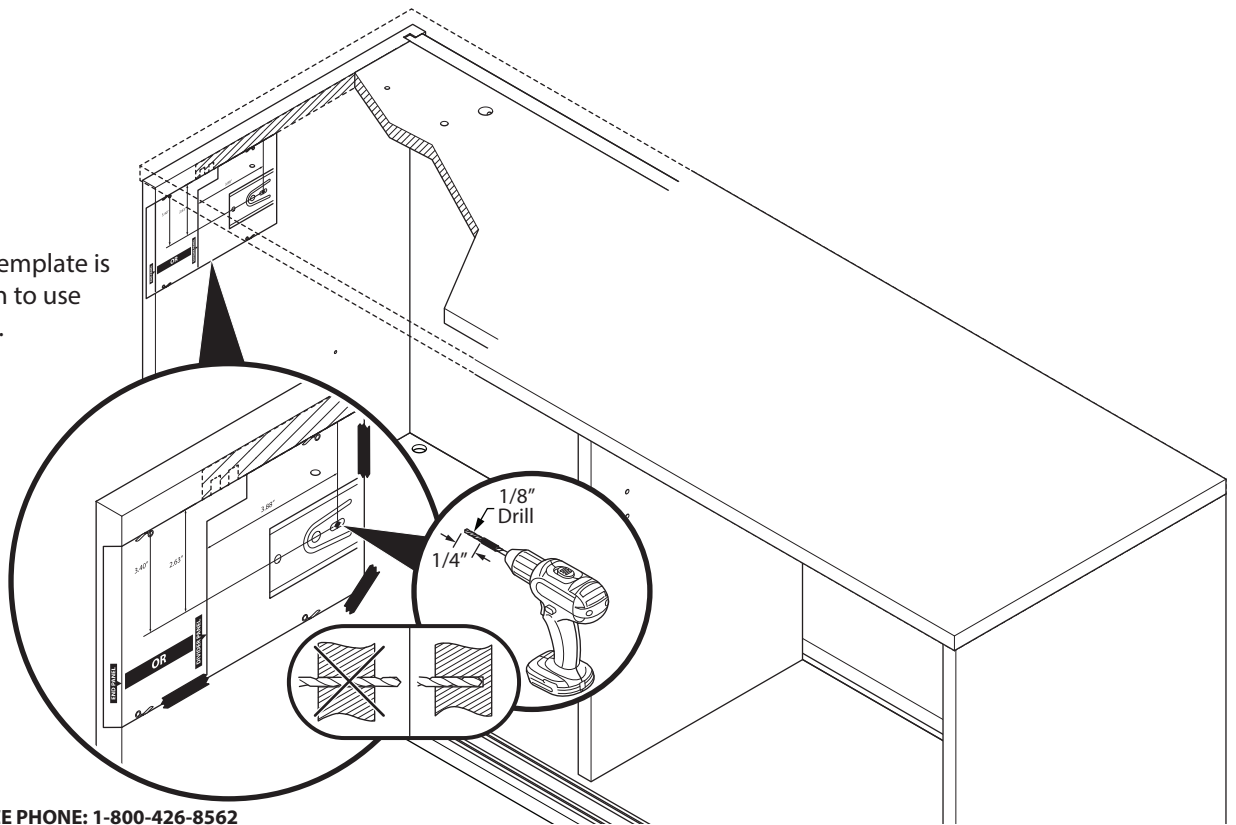
7

NOTE: Paper template is another option to use only if needed.



8

NOTE: Paper template is another option to use only if needed.



CUSTOMER SERVICE PHONE: 1-800-426-8562

HAWORTH

E.C.O. No: 781-431

Page: 7 of 11

Part No: 6100-0122

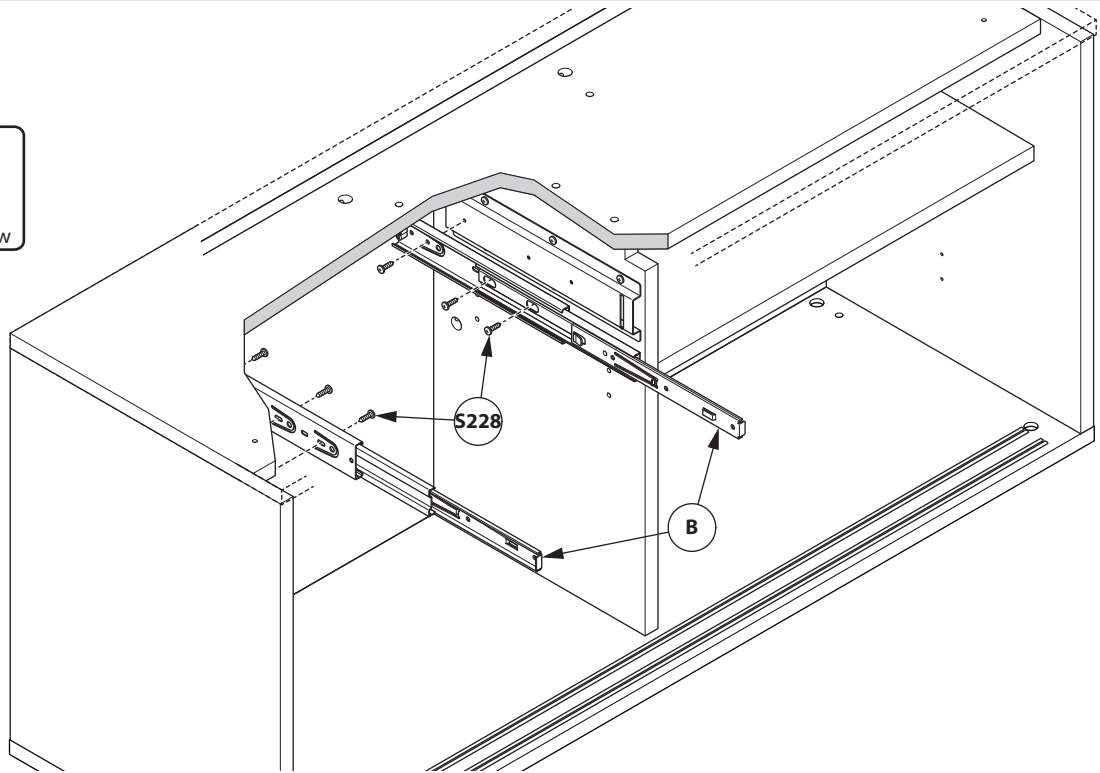
Rev: 1

9

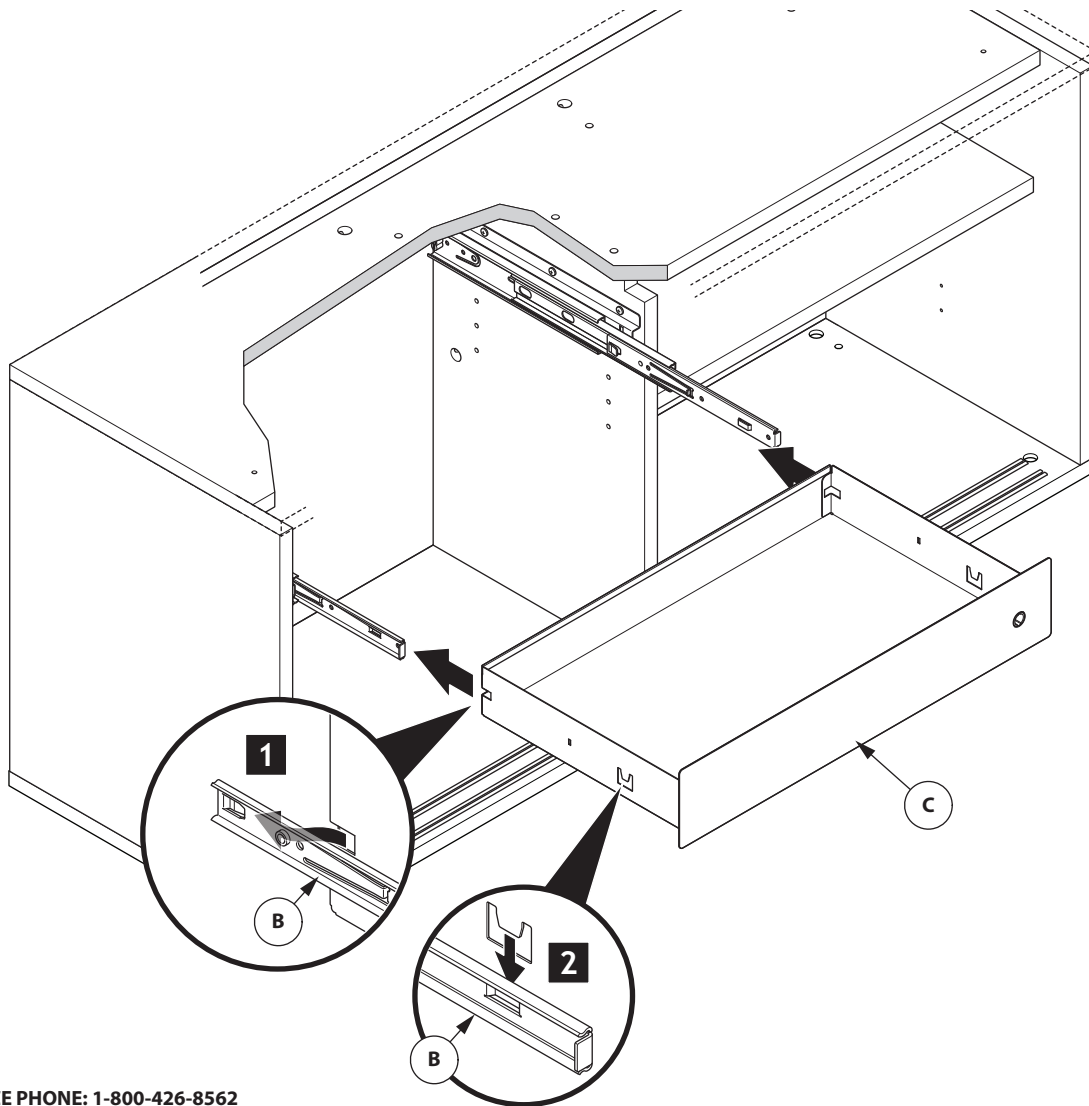
(S228)



#10 x 5/8" Special Head Screw



10



CUSTOMER SERVICE PHONE: 1-800-426-8562

HAWORTH

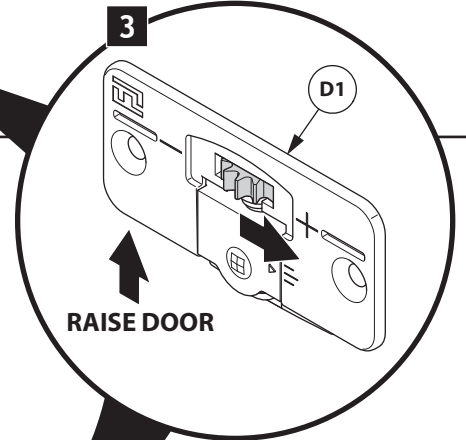
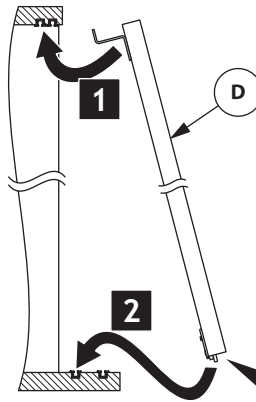
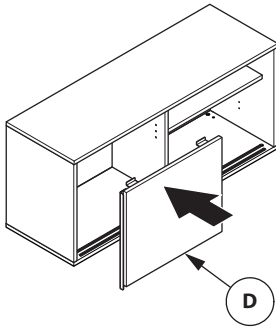
E.C.O. No: 781-431

Page: 8 of 11

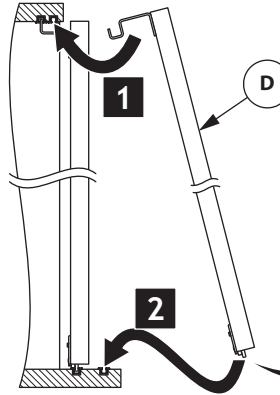
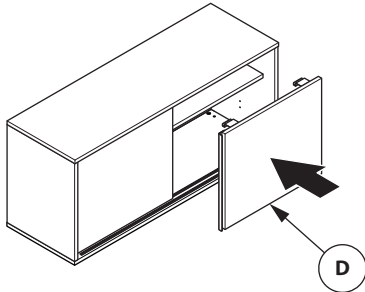
Part No: 6100-0122

Rev: 1

1



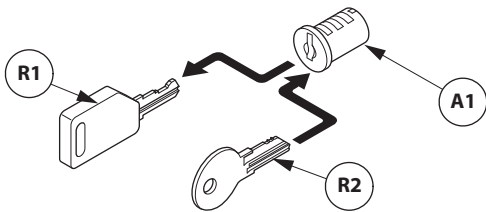
2



OPTIONAL: LOCK PLUG INSTALLATION

1

Replace square key (R1) with round key (R2)

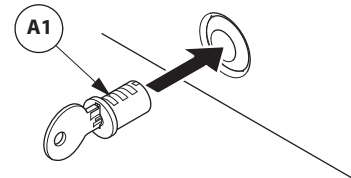


2

Install lock plug (A1)

NOTE: Position cam to unlocked (9:00 o'clock) position.

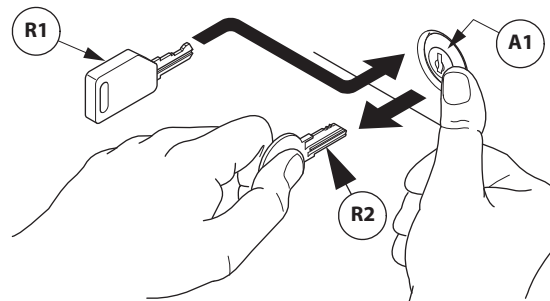
NOTE: It may be necessary to rotate cam until lock plug engages.



3

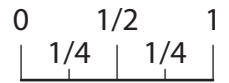
Remove round key (R2) and insert square key (R1)

NOTE: Hold the lock plug (A1) in place with thumb while removing the control key (R2).

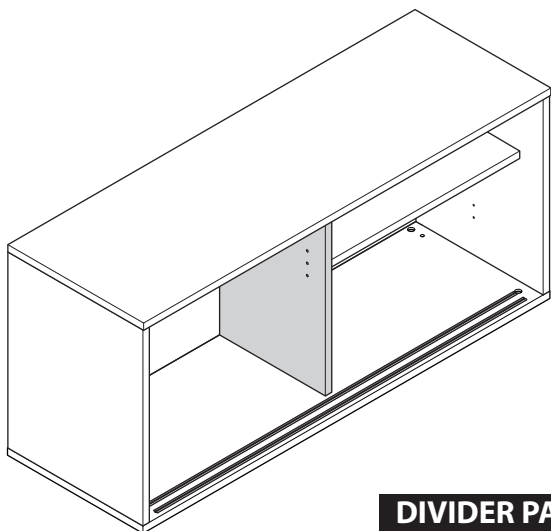
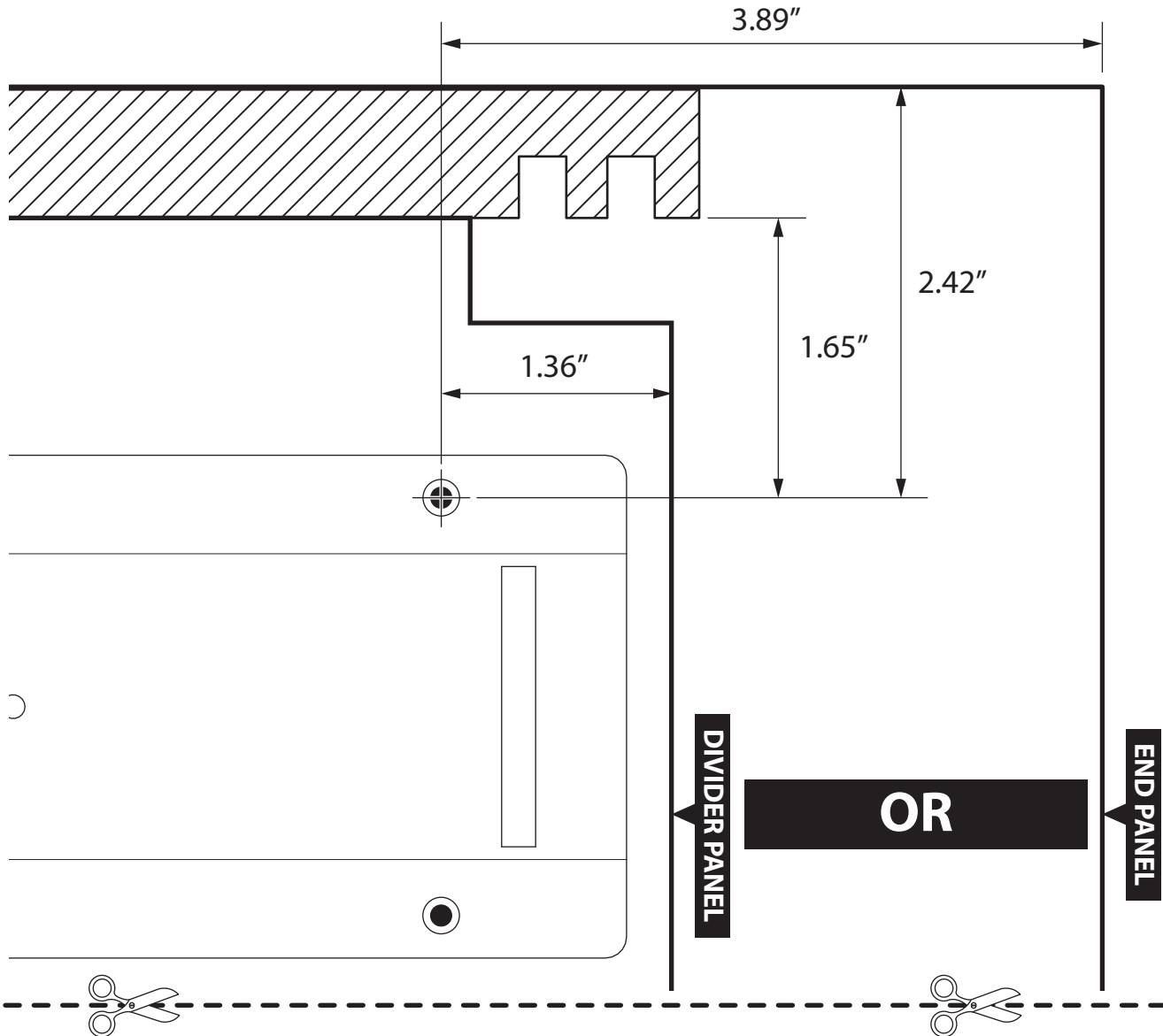


CUSTOMER SERVICE PHONE: 1-800-426-8562

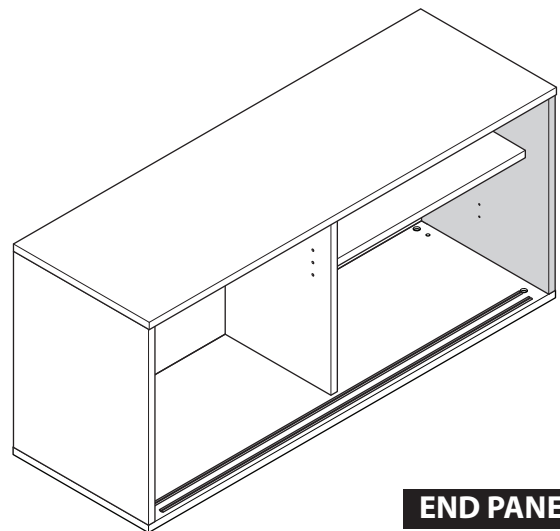
TEMPLATE FOR RIGHT SIDE



Scale 1 : 1



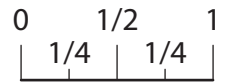
DIVIDER PANEL



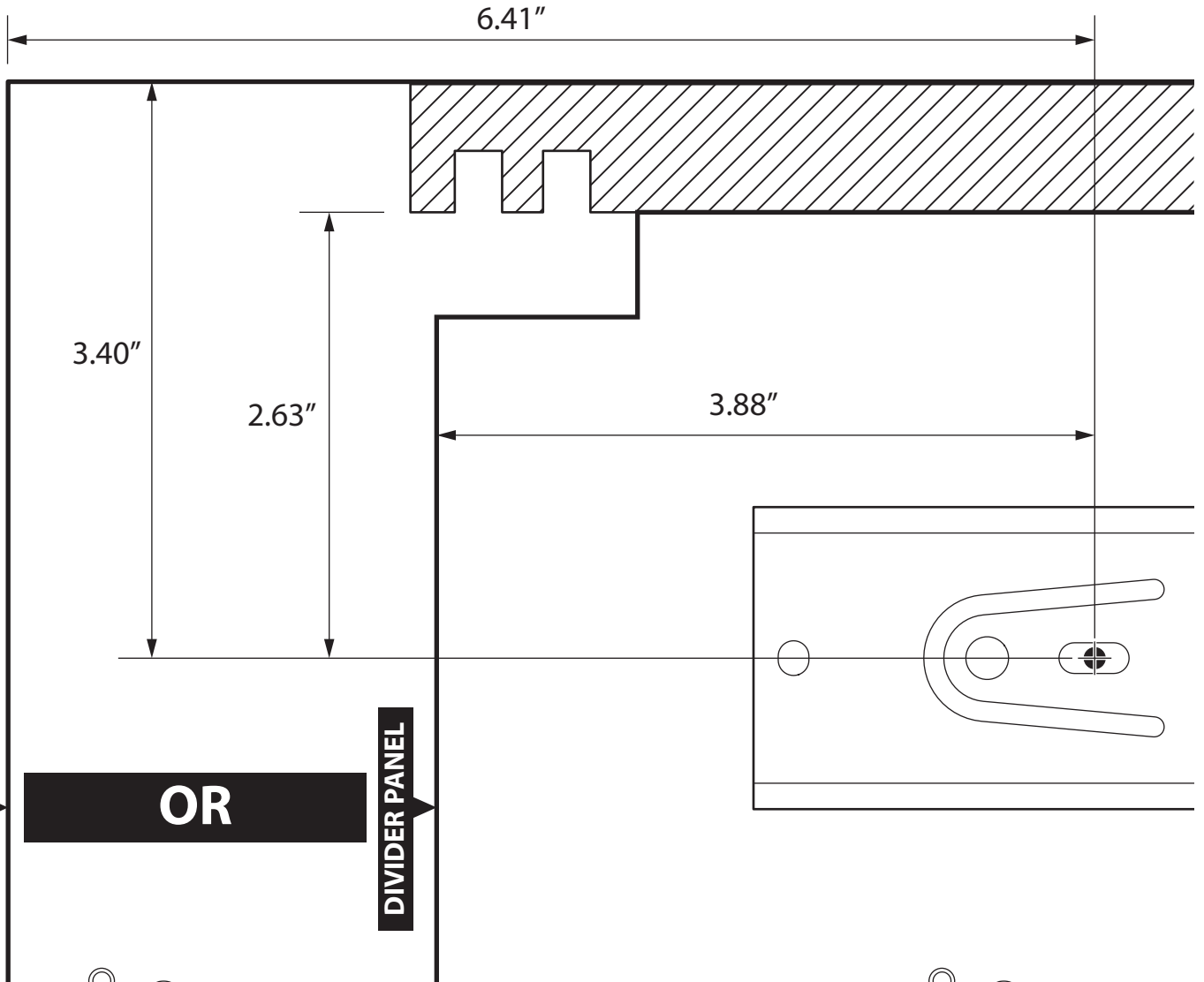
END PANEL

CUSTOMER SERVICE PHONE: 1-800-426-8562

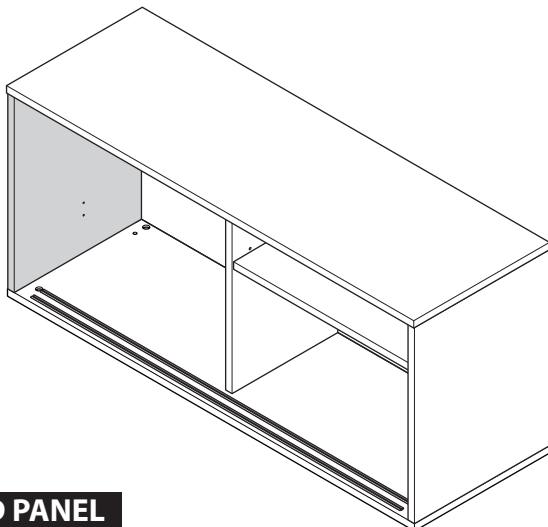
TEMPLATE FOR LEFT SIDE



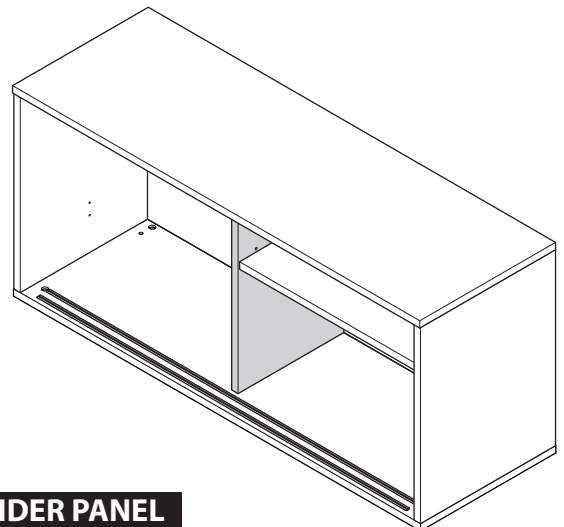
Scale 1 : 1



OR



END PANEL



DIVIDER PANEL

CUSTOMER SERVICE PHONE: 1-800-426-8562

HAWORTH

E.C.O. No: 781-431

Page: 11 of 11

Part No: 6100-0122

Rev: 1