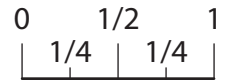
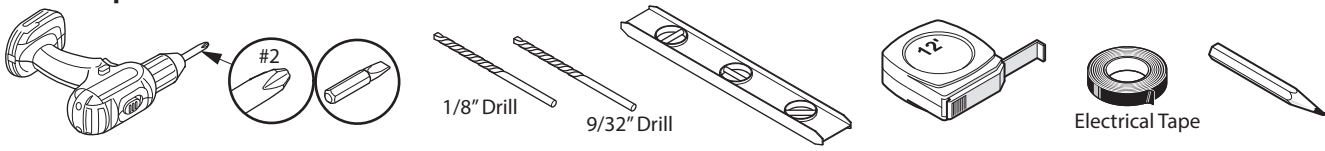


**BE\_HOLD™**  
**Lateral Files & Accessories**  
 Installation Instructions

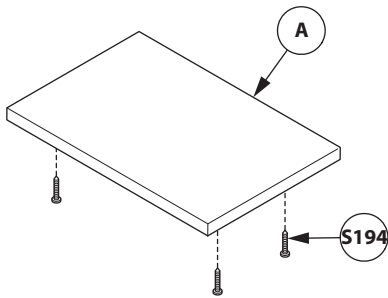


**Scale 1 : 1**

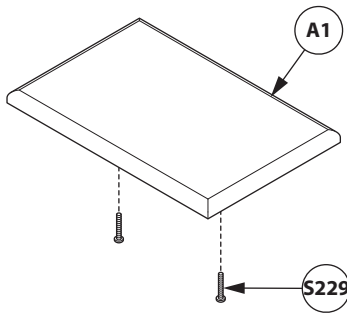
**Tools Required**



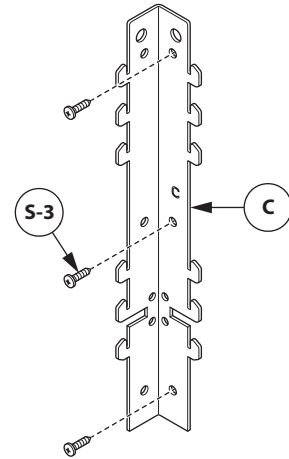
Top



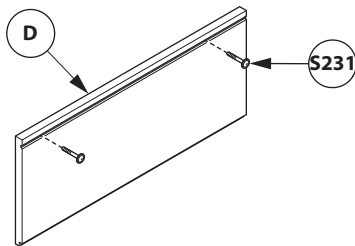
Cushion



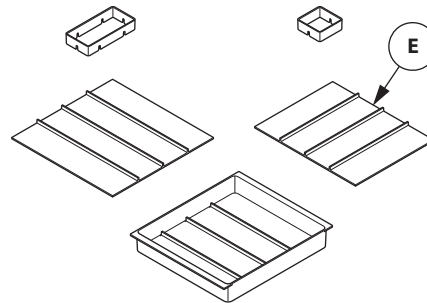
Panel Bracket



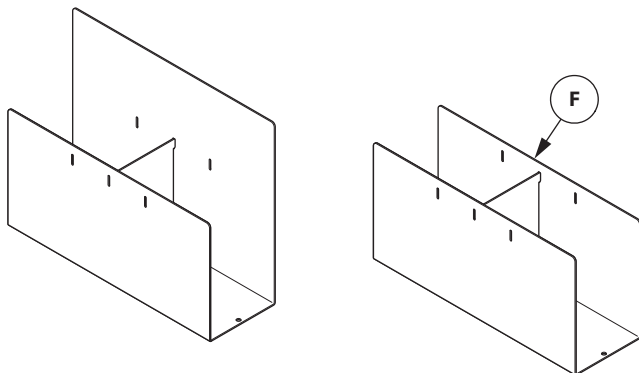
Counter Weight(s)



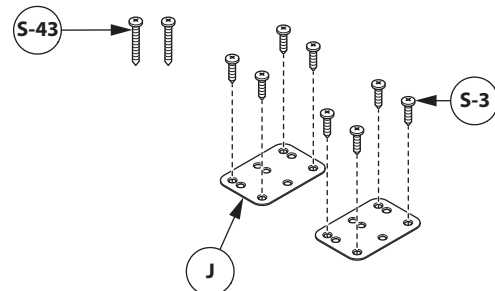
Drawer organizers



Drawer Dividers



Ganging Kit



CUSTOMER SERVICE PHONE: 1-800-426-8562

**HAWORTH**

E.C.O. No: 480-062

Page: 1 of 6

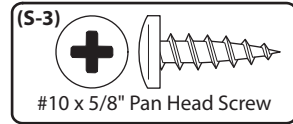
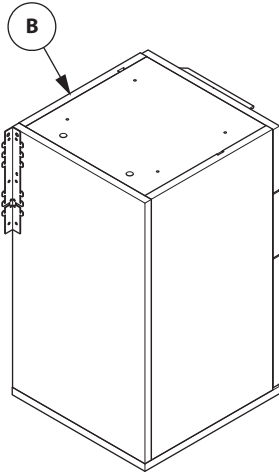
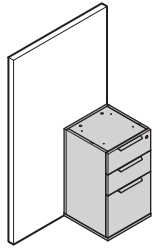
Part No: 6100-0123

Rev: 3

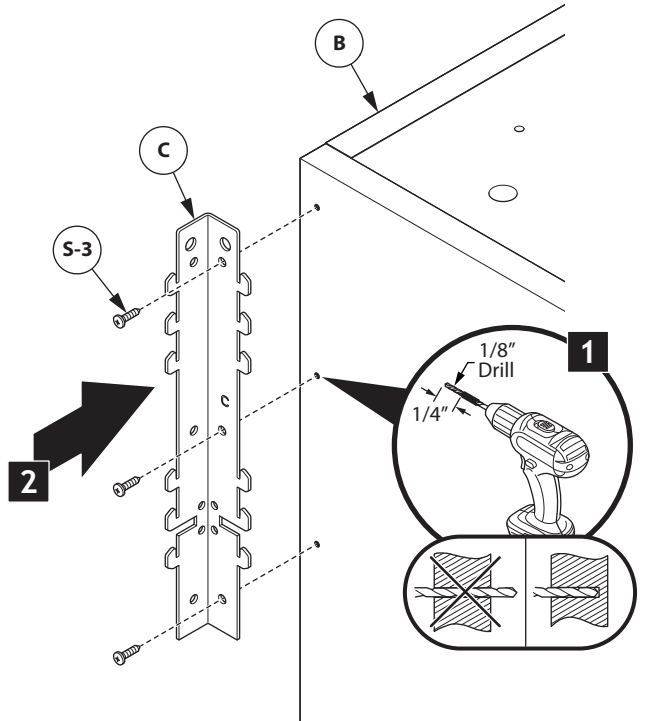
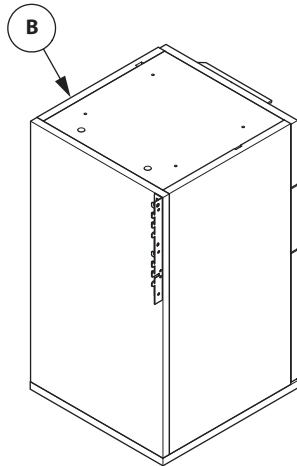
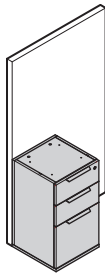
**PANEL BRACKET INSTALLATION**

**1**

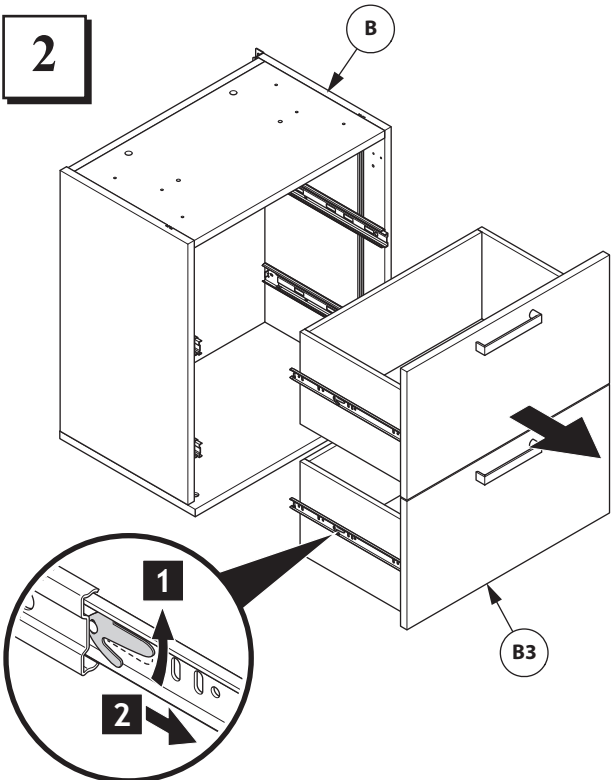
RIGHT HAND APPLICATION



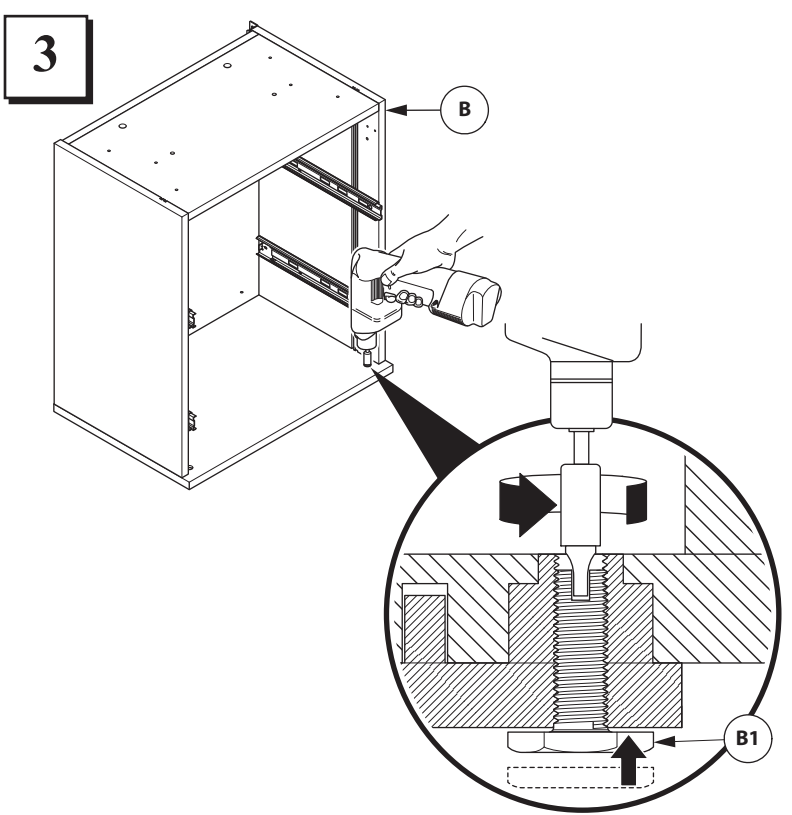
LEFT HAND APPLICATION



**2**

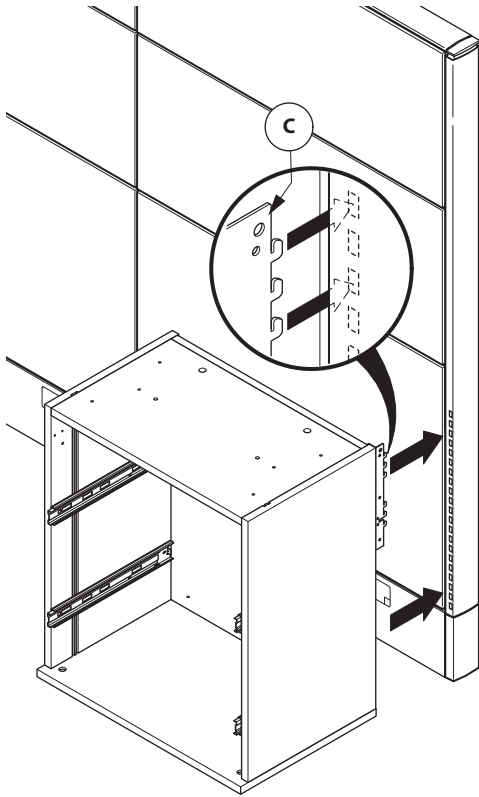


**3**

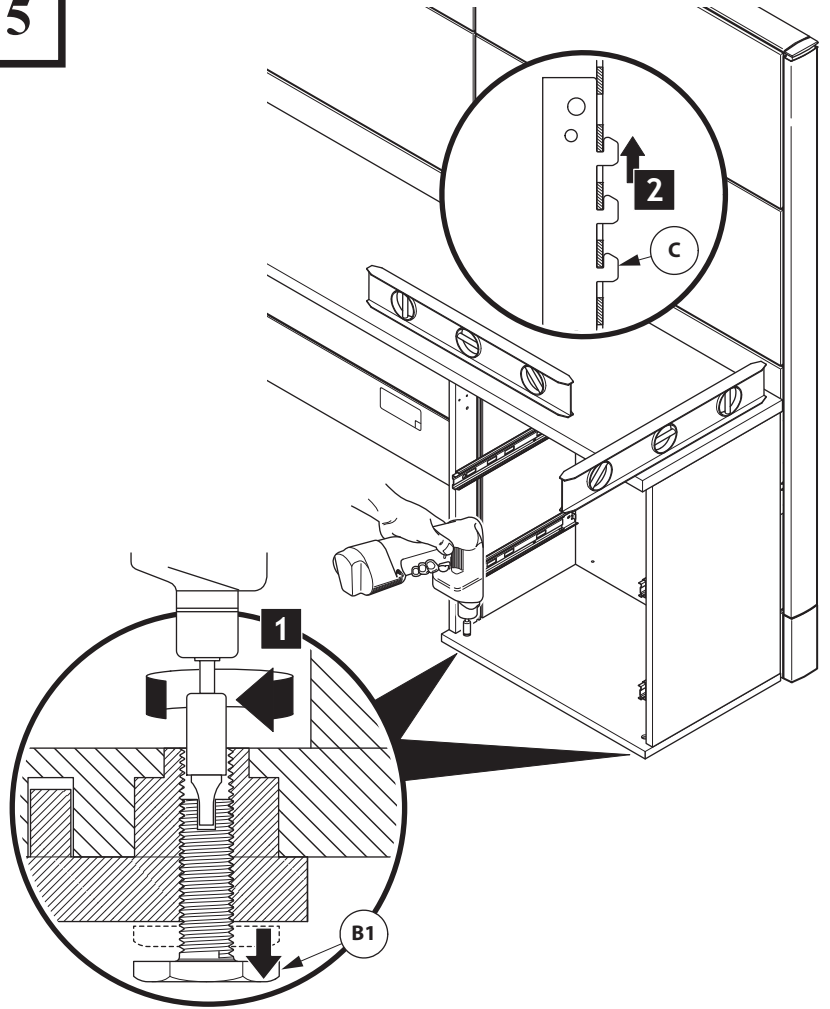


CUSTOMER SERVICE PHONE: 1-800-426-8562

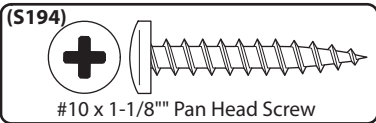
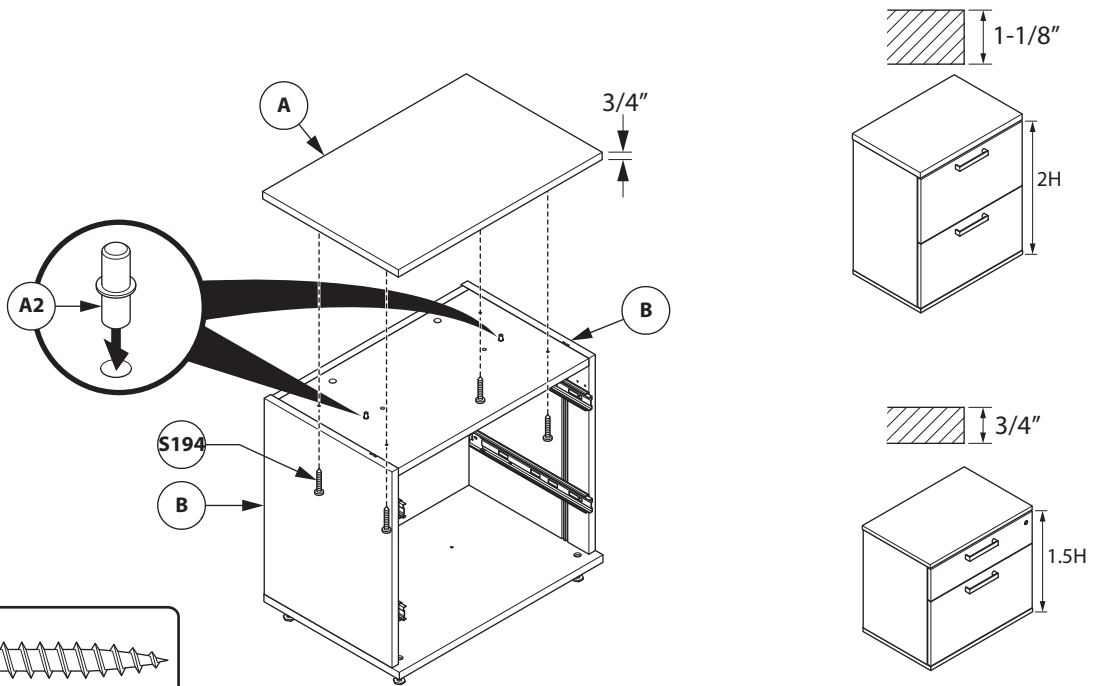
4



5



**TOP INSTALLATION**



CUSTOMER SERVICE PHONE: 1-800-426-8562

**HAWORTH**

E.C.O. No: 480-062

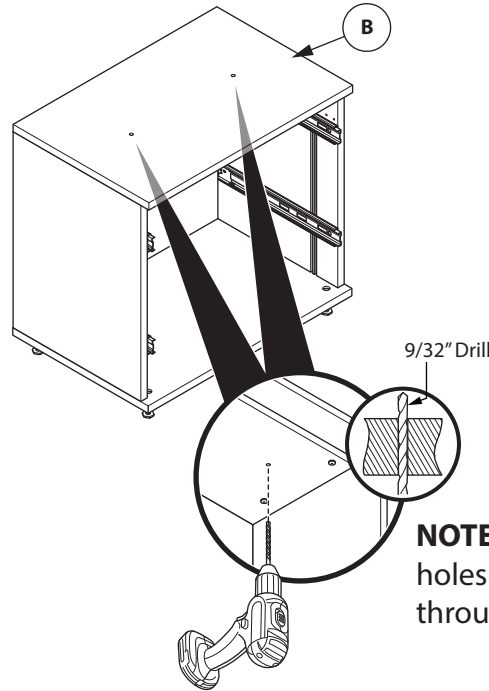
Page: 3 of 6

Part No: 6100-0123

Rev: 3

**CUSHION INSTALLATION**

**1**



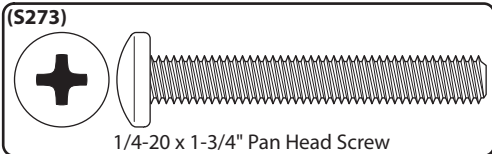
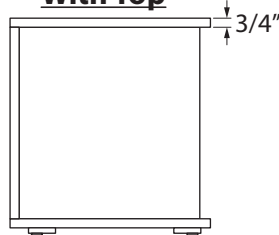
**NOTE:** Use locating holes as shown and drill through top (A).

**2**

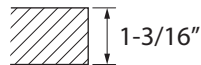
**NOTE:** Screw (S273) is used with 3/4" top. (**provided**)



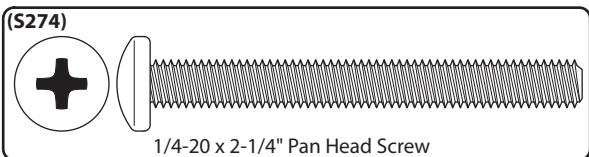
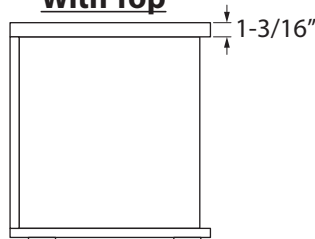
**With Top**



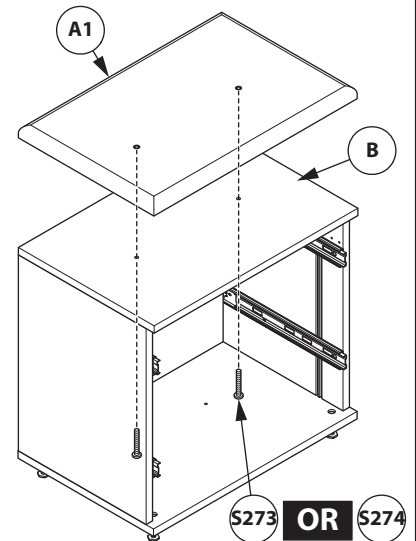
**NOTE:** Screw (S274) is used with 1-3/16" top. (**not provided**)



**With Top**



**NOTE:** If required, go to local hardware store and purchase similar screws (S274).



CUSTOMER SERVICE PHONE: 1-800-426-8562

**HAWORTH**

E.C.O. No: 480-062

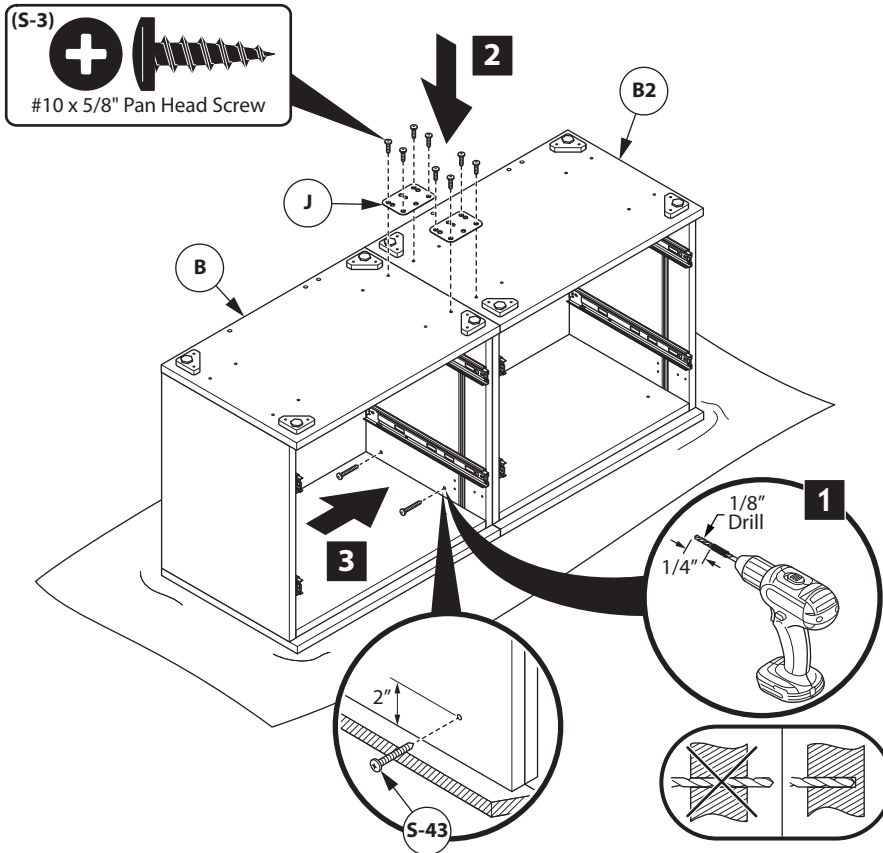
Page: 4 of 6

Part No: 6100-0123

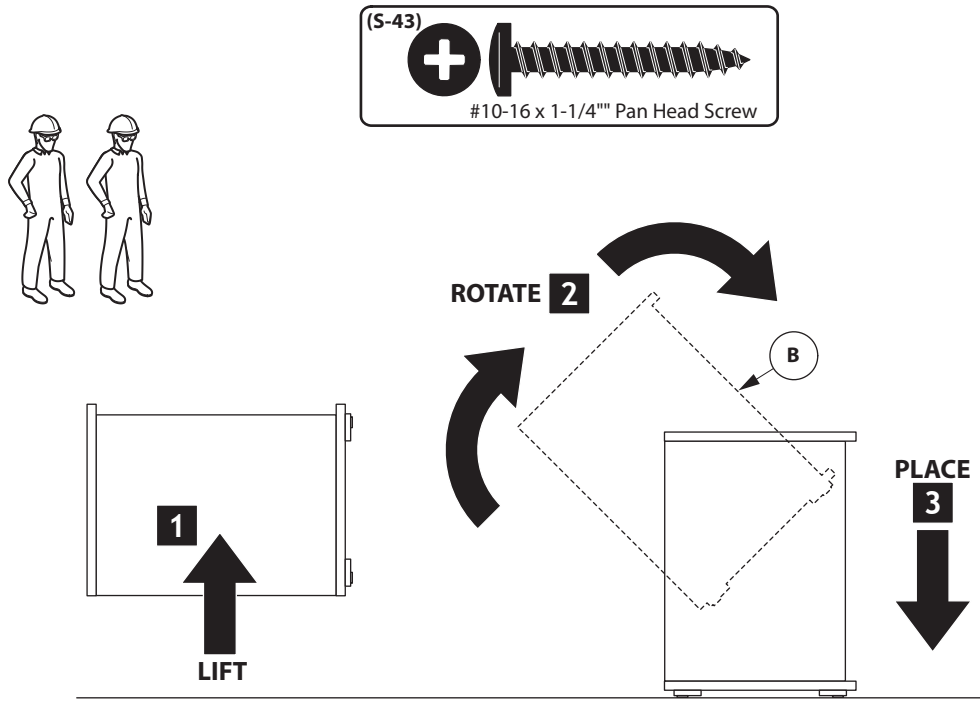
Rev: 3

**GANGING INSTALLATION**

**1**



**2**



CUSTOMER SERVICE PHONE: 1-800-426-8562

**HAWORTH**

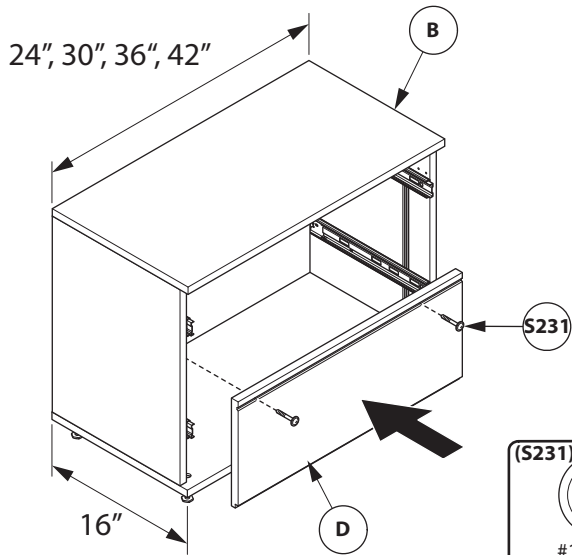
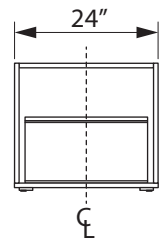
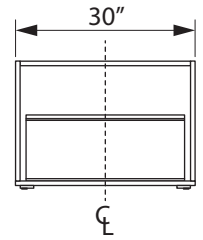
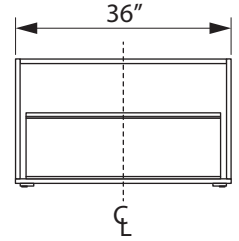
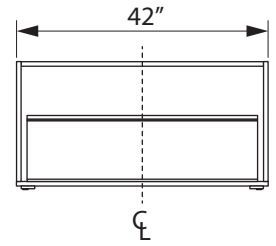
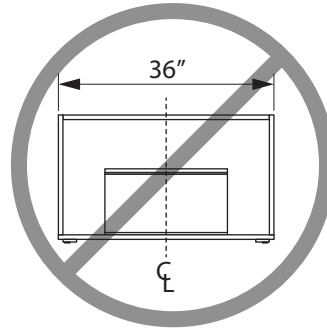
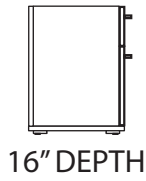
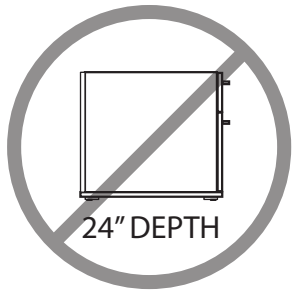
E.C.O. No: 480-062

Page: 4 of 6

Part No: 6100-0123

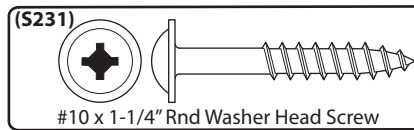
Rev: 3

**COUNTERWEIGHT INSTALLATION**

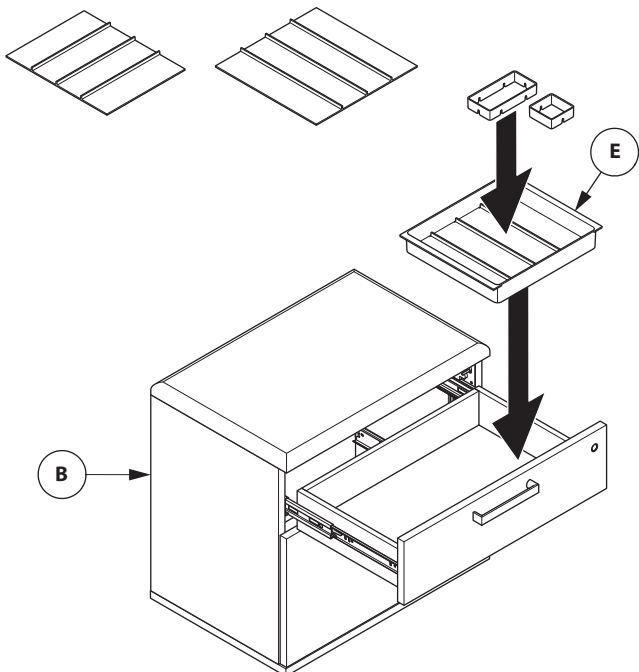


**▲ IMPORTANT!**

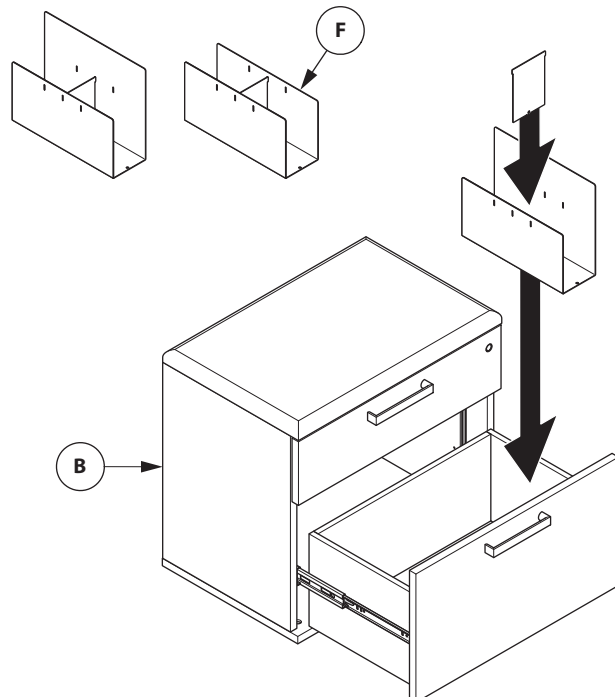
**MAKE SURE TO INSTALL THE CORRECT COUNTERWEIGHT WITH CABINET**



**DRAWER ORGANIZER INSTALLATION**



**DRAWER DIVIDER INSTALLATION**



CUSTOMER SERVICE PHONE: 1-800-426-8562

**HAWORTH**

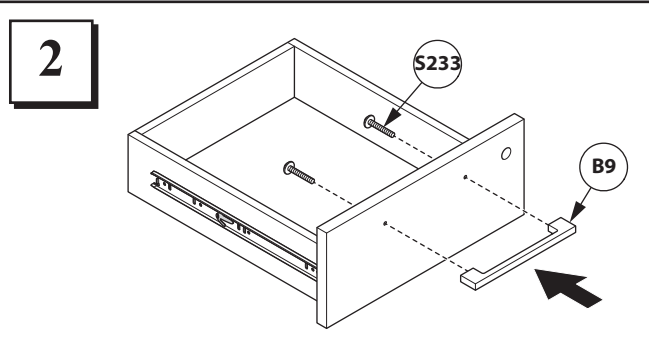
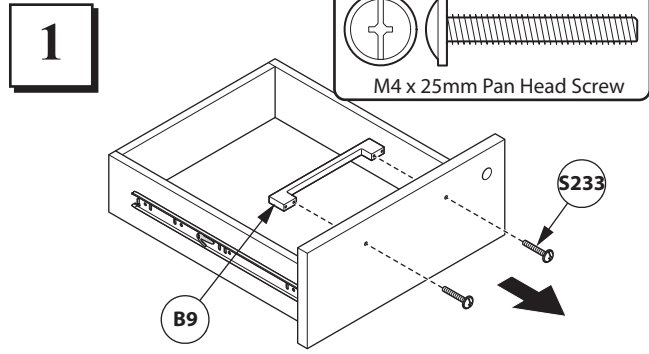
E.C.O. No: 480-062

Page: 5 of 6

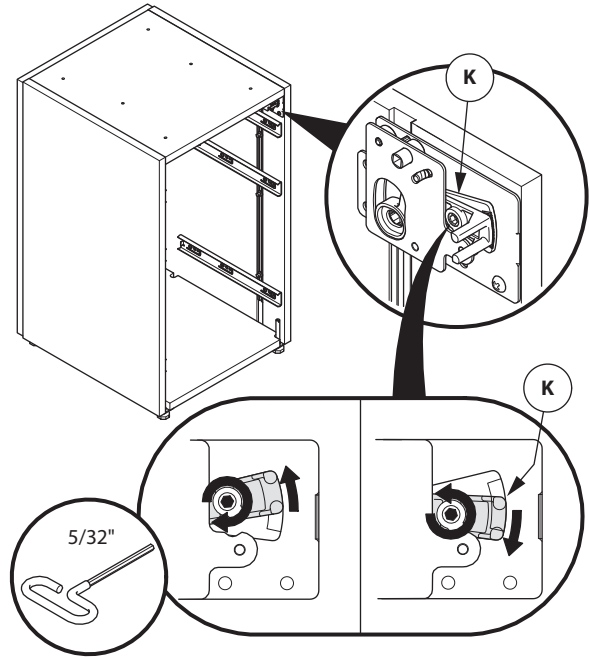
Part No: 6100-0123

Rev: 3

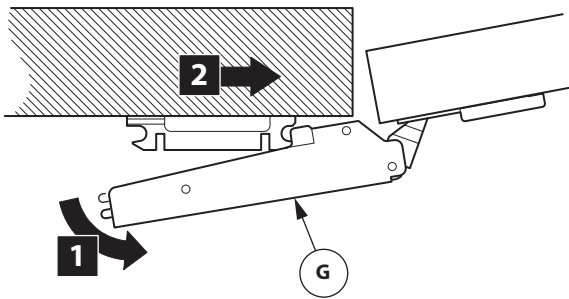
**PULL INSTALLATION**



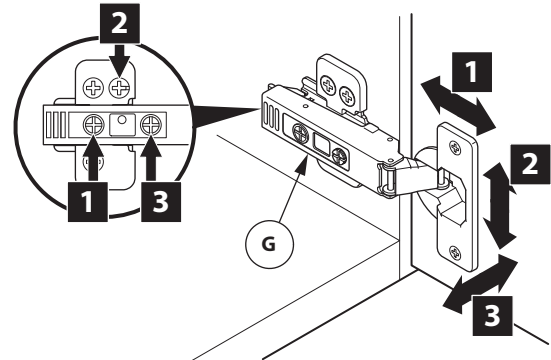
**DRAWER LOCK BAR ADJUSTMENT**



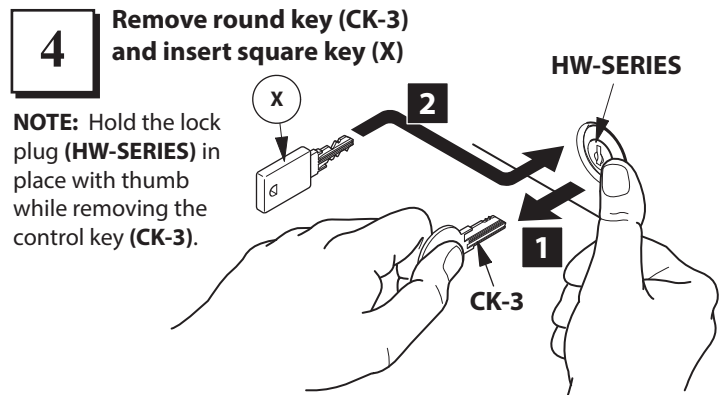
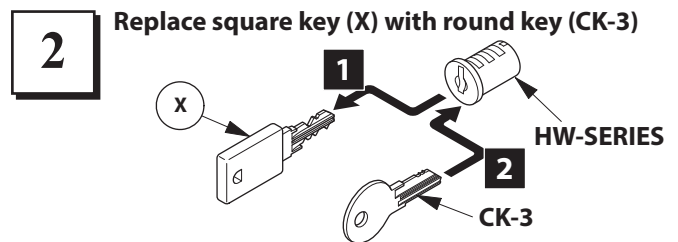
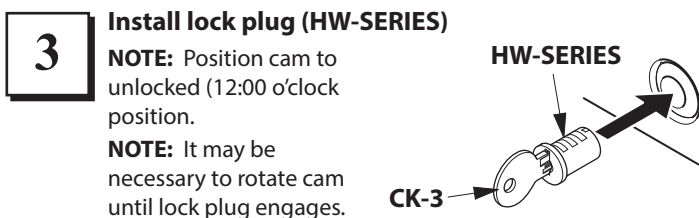
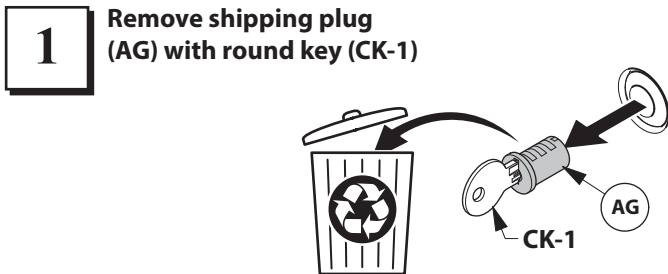
**DOOR INSTALLATION/REMOVAL**



**DOOR HINGE ADJUSTMENT**



**OPTIONAL LOCK PLUG INSTALLATION**



CUSTOMER SERVICE PHONE: 1-800-426-8562