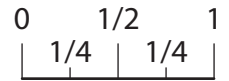


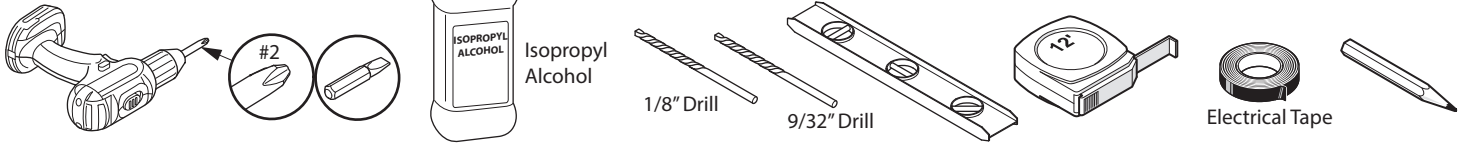
BE\_HOLD™

Pedestals & Accessories  
Installation Instructions

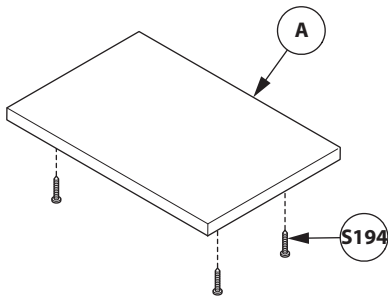


Scale 1 : 1

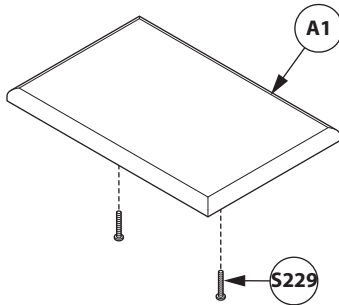
Tools Required



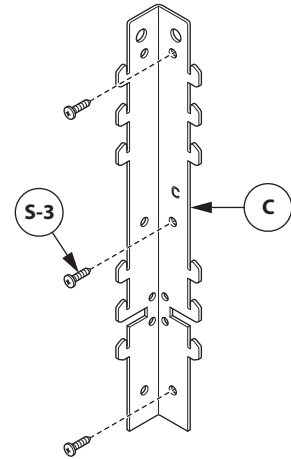
Top



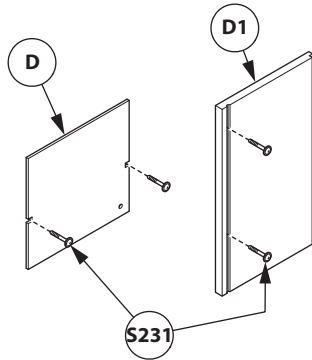
Cushion



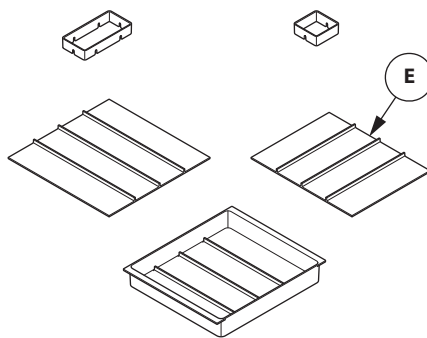
Panel Bracket



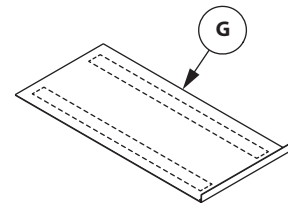
Counter Weight(s)



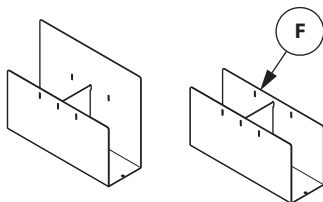
Drawer organizers



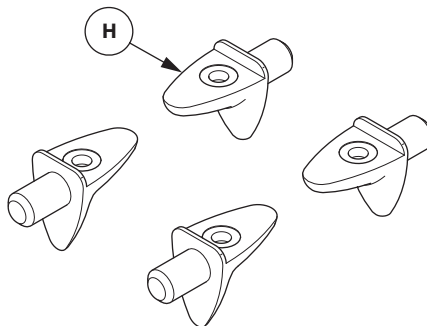
Liner



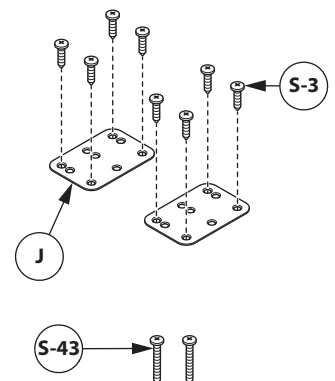
Drawer Dividers



Shelf Pins



Ganging Kit



CUSTOMER SERVICE PHONE: 1-800-426-8562

**HAWORTH**

E.C.O. No: 480-062

Page: 1 of 7

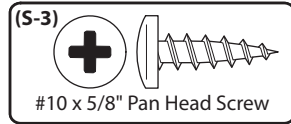
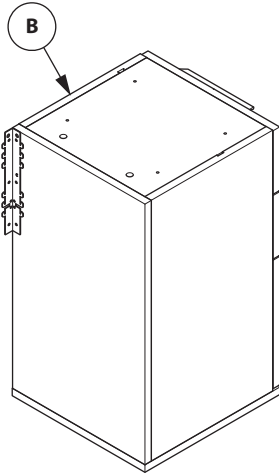
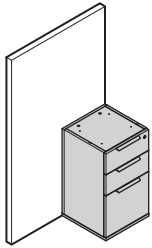
Part No: 6100-0124

Rev: 3

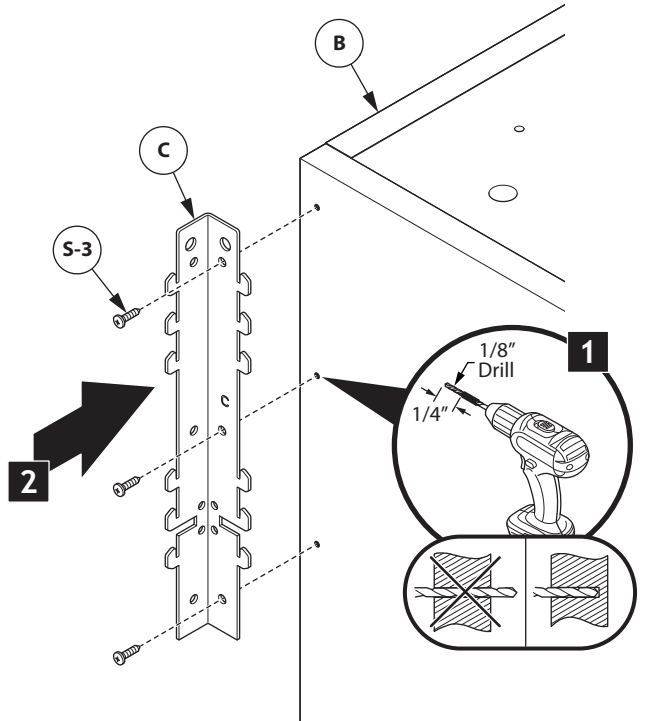
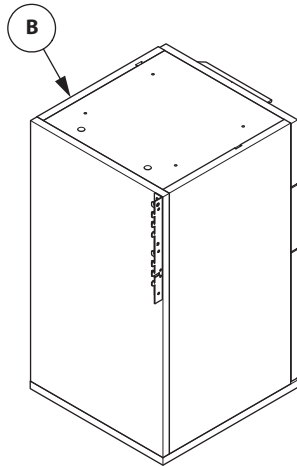
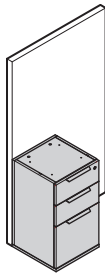
**PANEL BRACKET INSTALLATION**

**1**

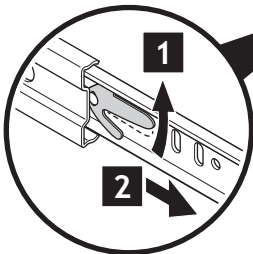
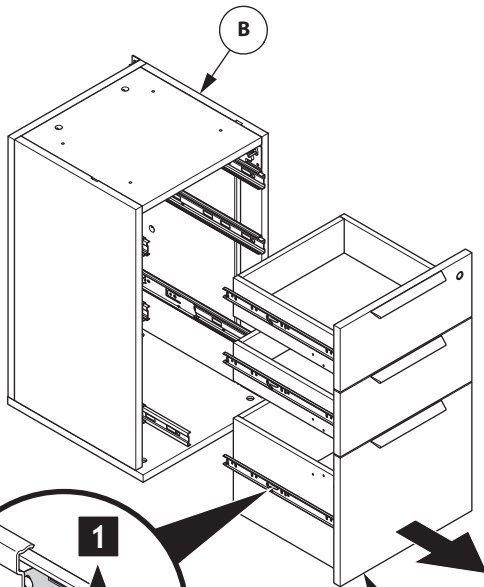
RIGHT HAND APPLICATION



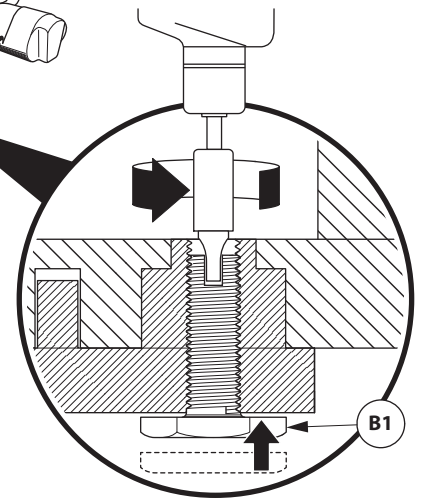
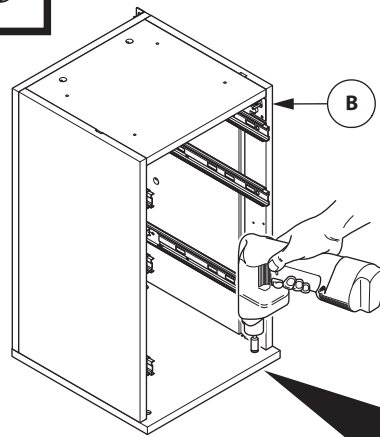
LEFT HAND APPLICATION



**2**

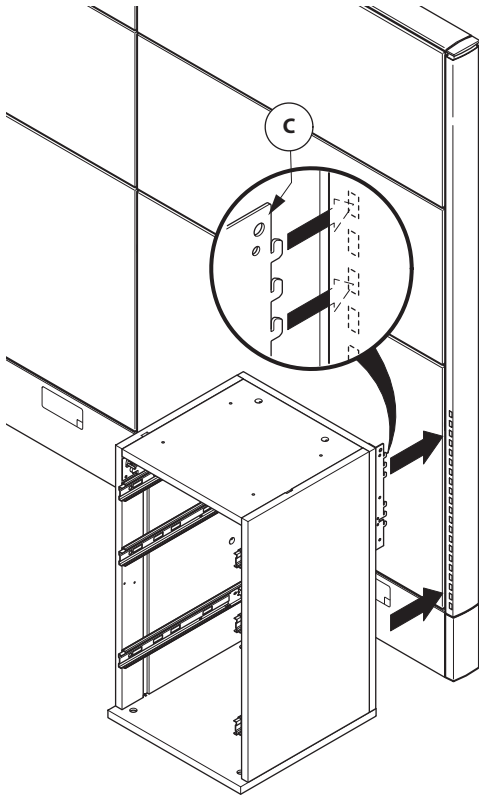


**3**

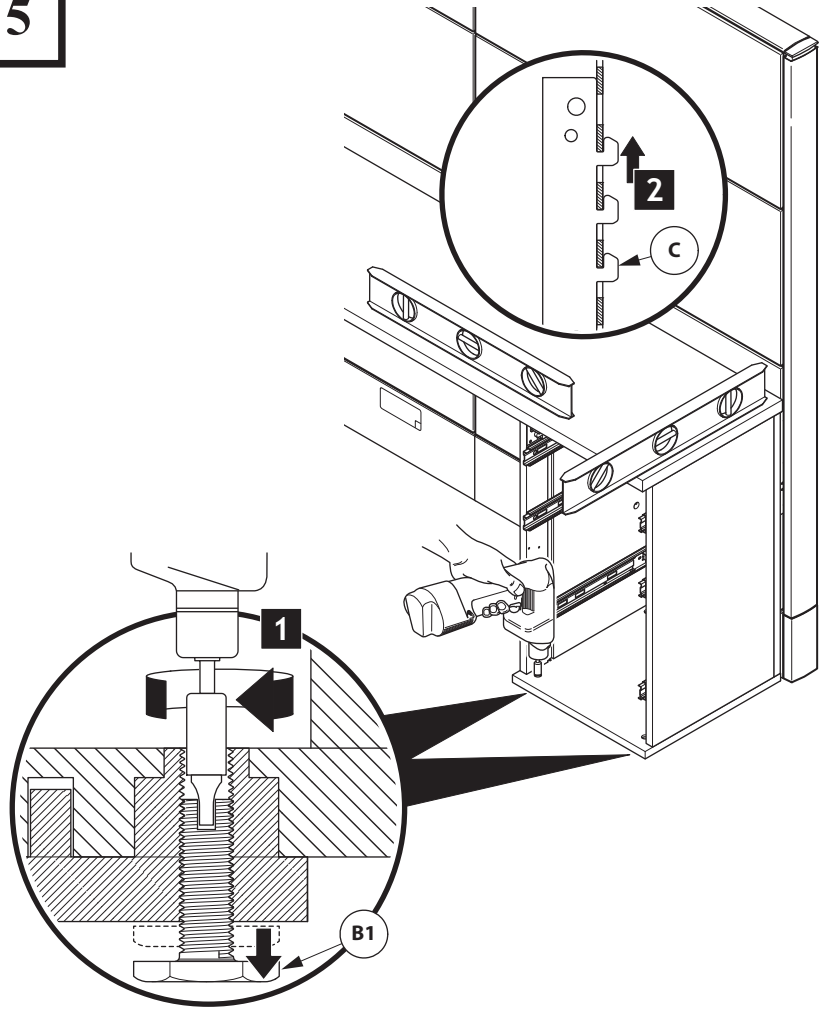


CUSTOMER SERVICE PHONE: 1-800-426-8562

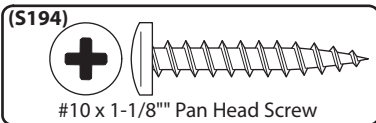
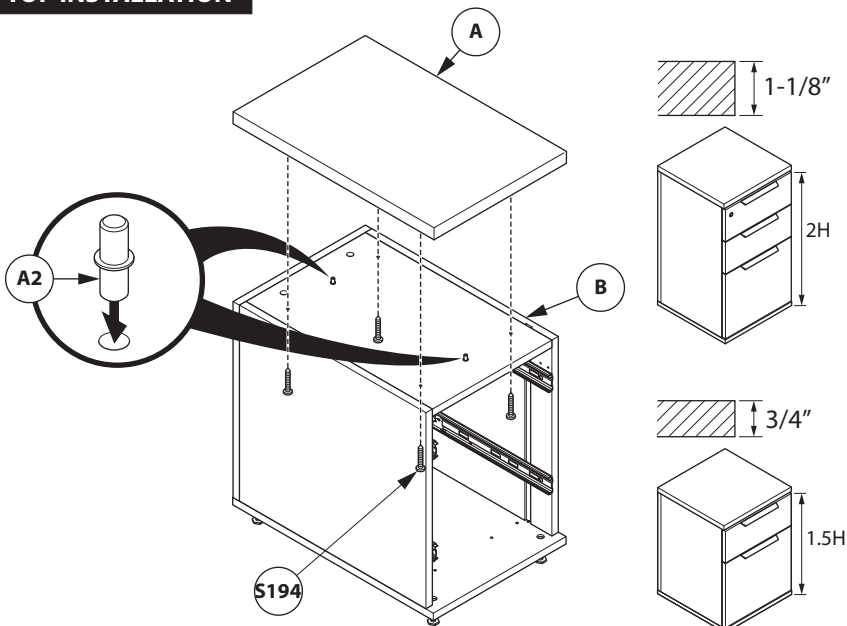
4



5

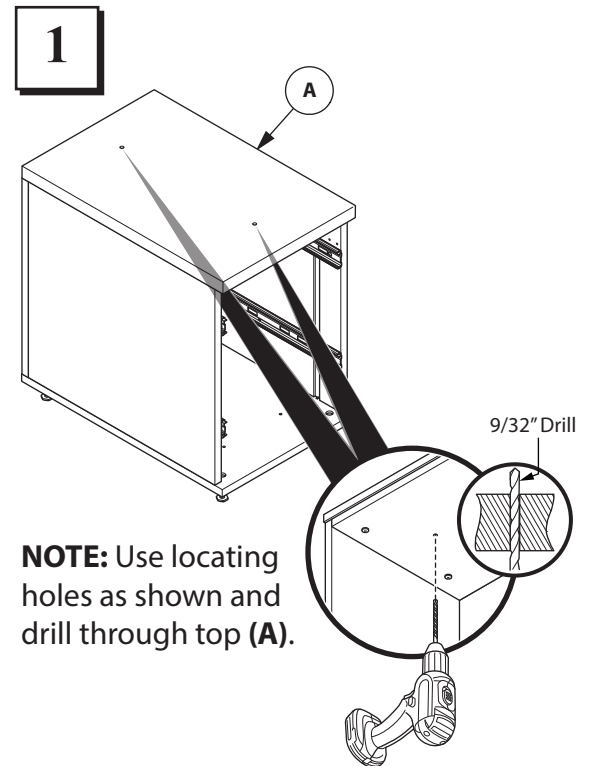


**TOP INSTALLATION**



CUSTOMER SERVICE PHONE: 1-800-426-8562

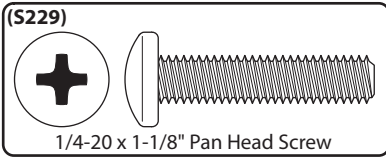
**CUSHION INSTALLATION**



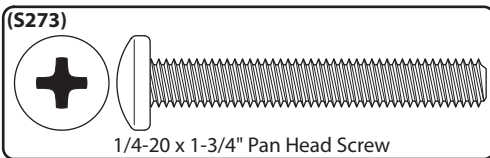
## CUSHION INSTALLATION

2

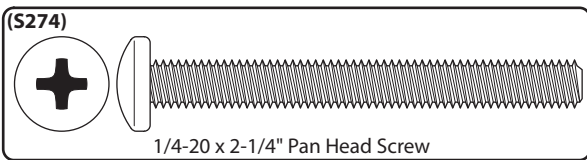
**NOTE:** Screw (S229) is used with unfinished top. (**provided**)



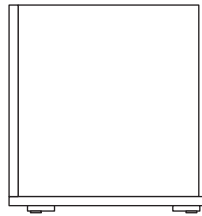
**NOTE:** Screw (S273) is used with 3/4" top. (**not provided**)



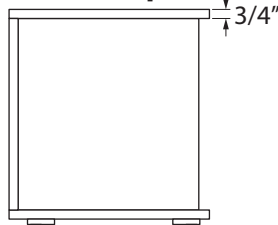
**NOTE:** Screw (S274) is used with 1-3/16" top. (**not provided**)



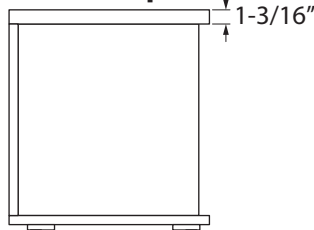
**No Top**



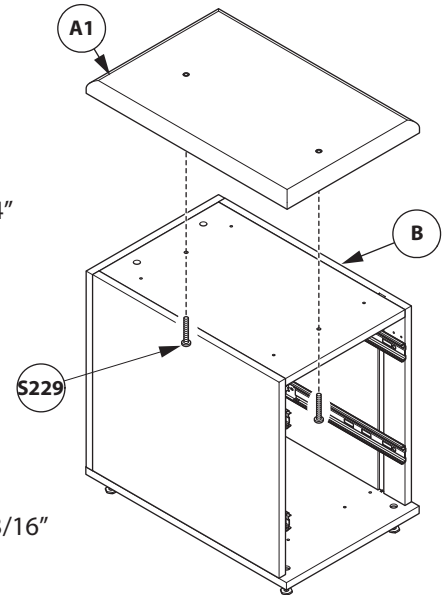
**With Top**



**With Top**

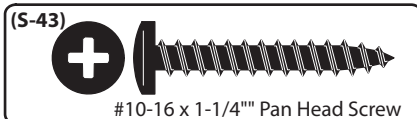
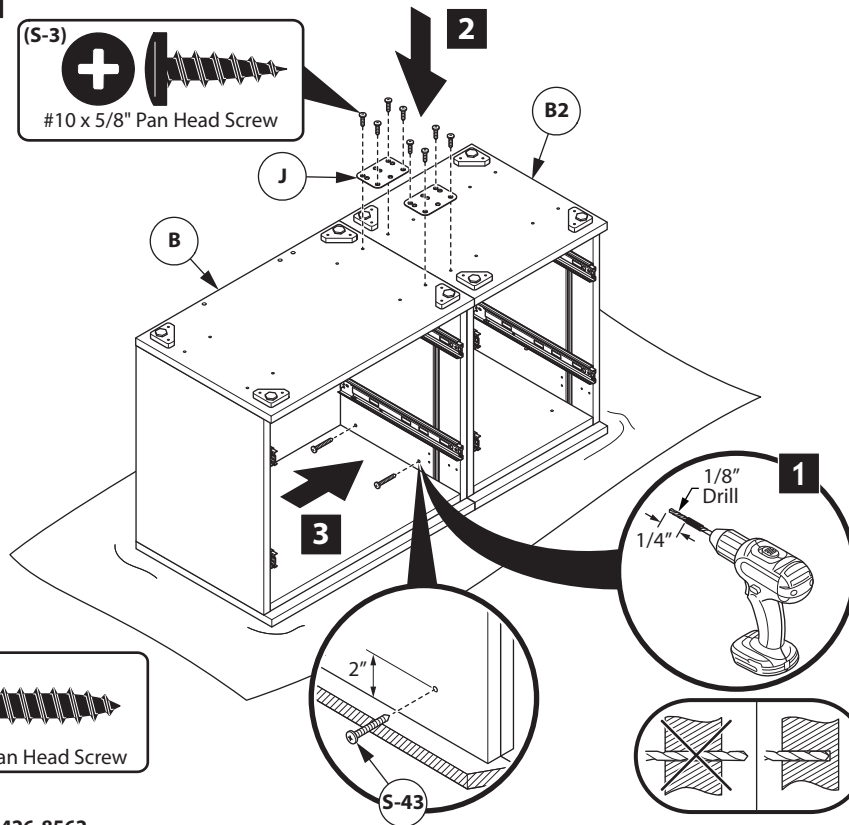


**NOTE:** If required, go to local hardware store and purchase similar screws (S273) or (S274).



## GANGING INSTALLATION

1



CUSTOMER SERVICE PHONE: 1-800-426-8562

**HAWORTH**

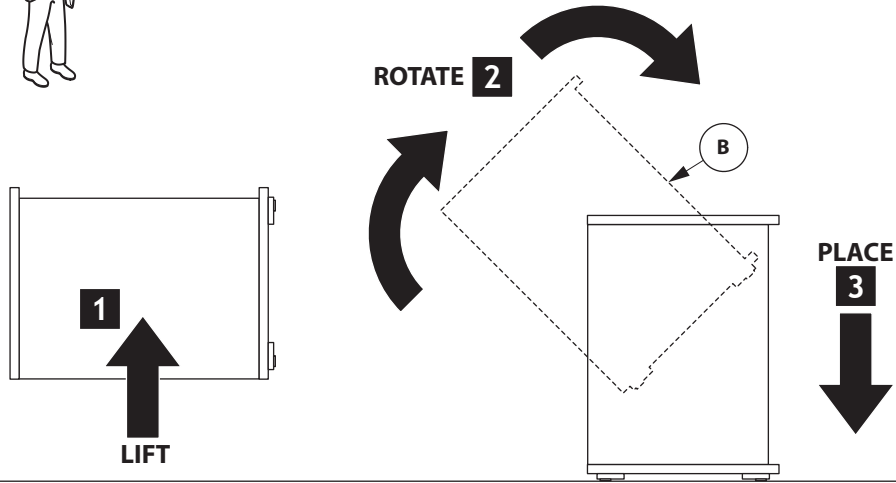
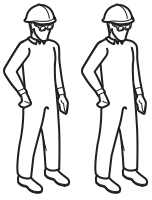
E.C.O. No: 480-062

Page: 4 of 7

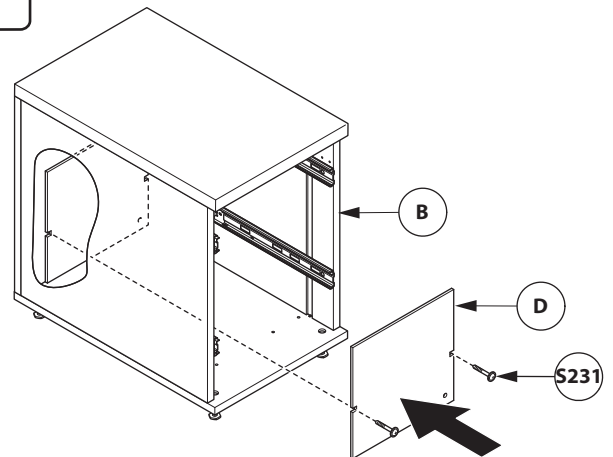
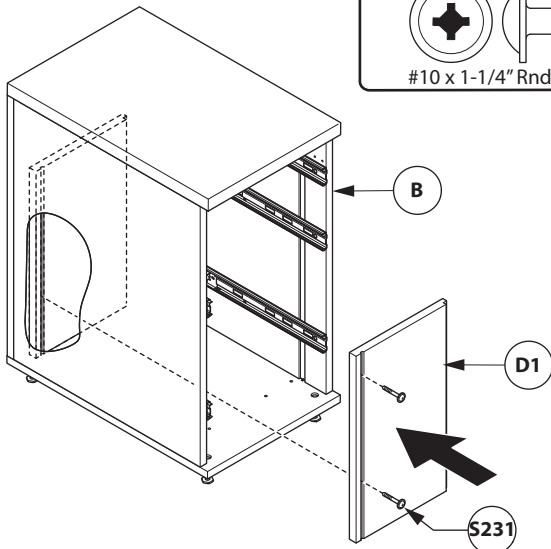
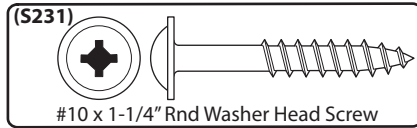
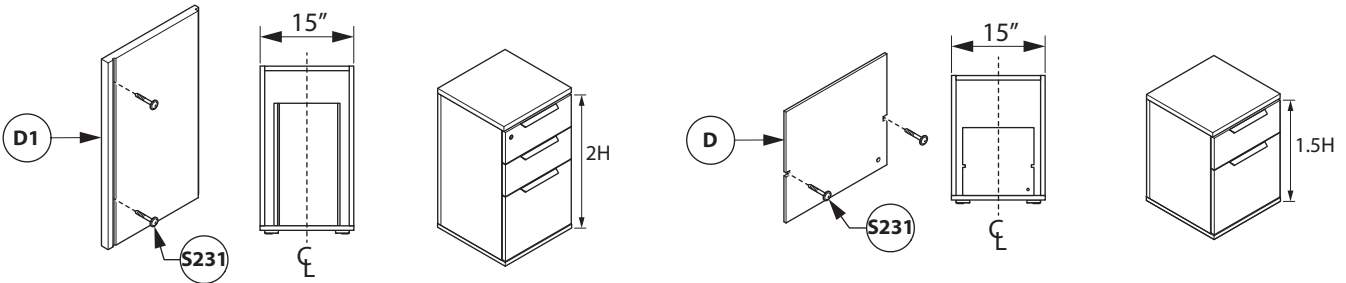
Part No: 6100-0124

Rev: 3

2



COUNTERWEIGHT INSTALLATION



CUSTOMER SERVICE PHONE: 1-800-426-8562

**HAWORTH**

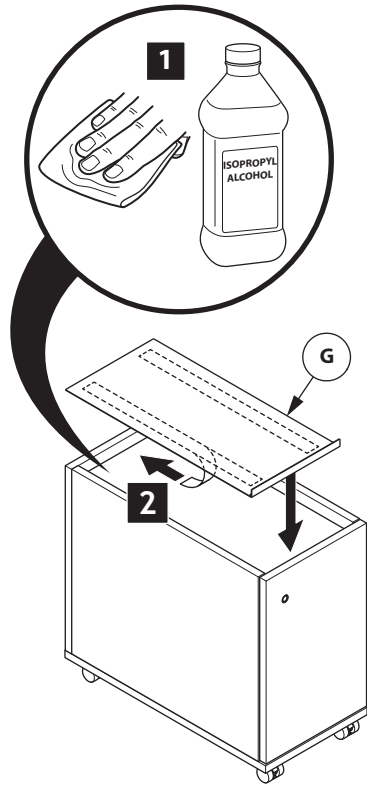
E.C.O. No: 480-062

Page: 5 of 7

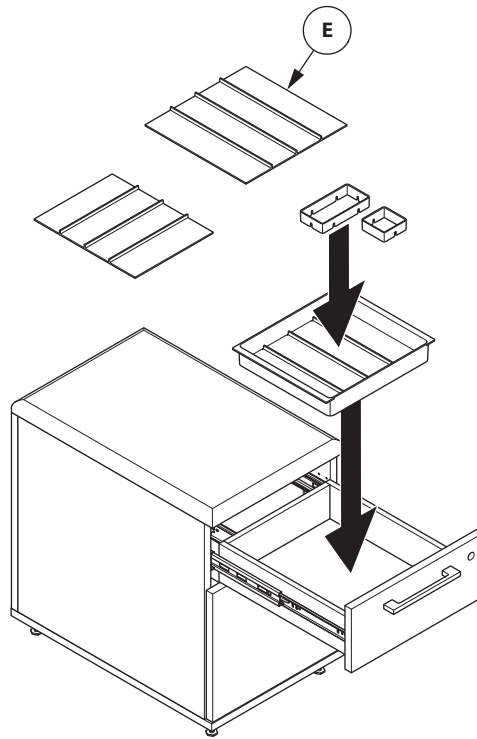
Part No: 6100-0124

Rev: 3

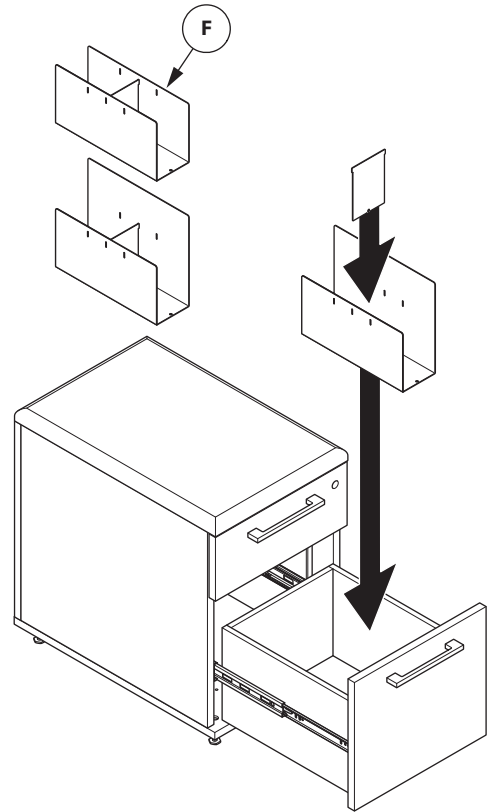
### LINER INSTALLATION



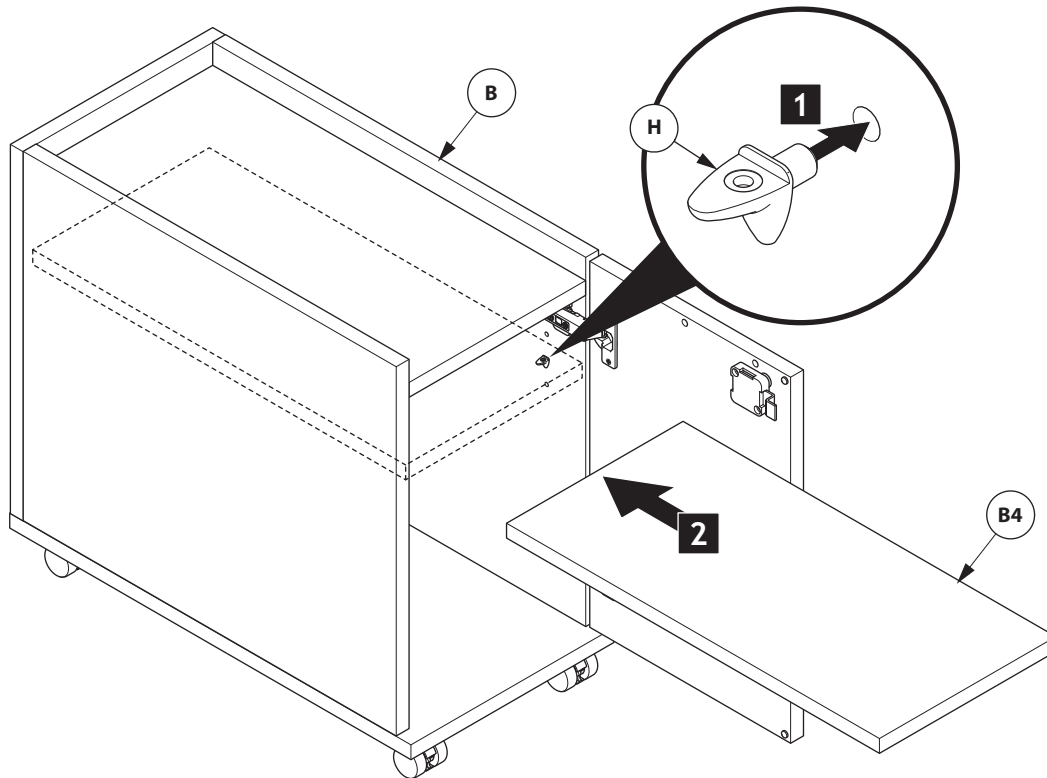
### DRAWER ORGANIZER INSTALLATION



### DRAWER DIVIDER INSTALLATION



### SHELF INSTALLATION



CUSTOMER SERVICE PHONE: 1-800-426-8562

**HAWORTH**

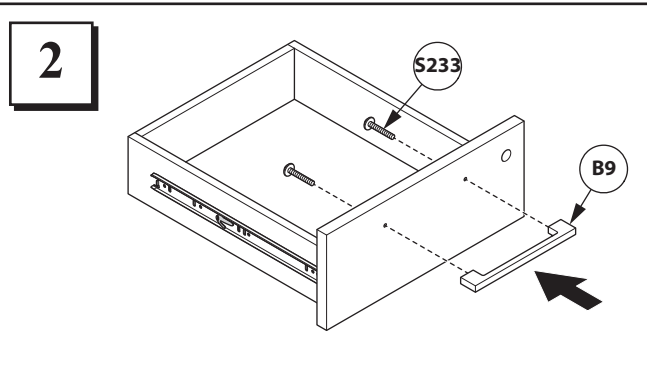
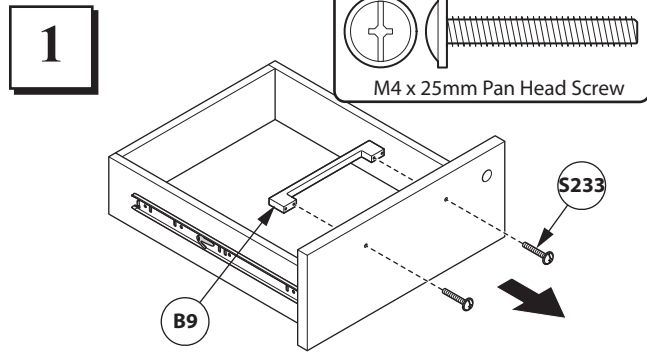
E.C.O. No: 480-062

Page: 6 of 7

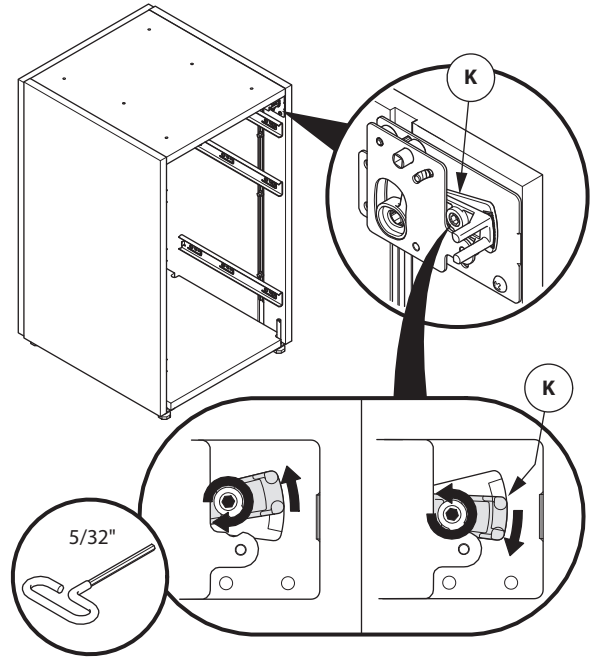
Part No: 6100-0124

Rev: 3

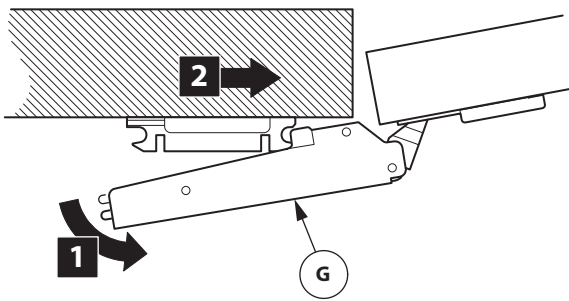
## PULL INSTALLATION



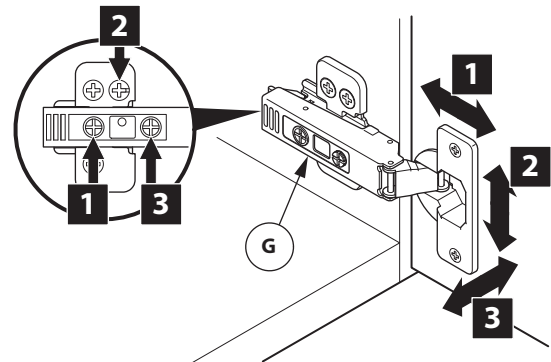
## DRAWER LOCK BAR ADJUSTMENT



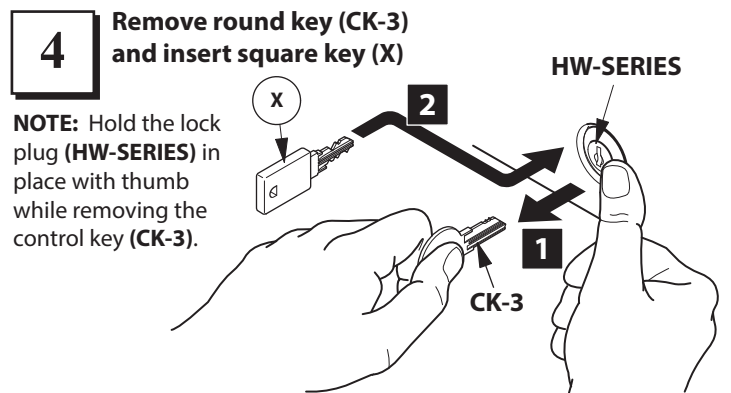
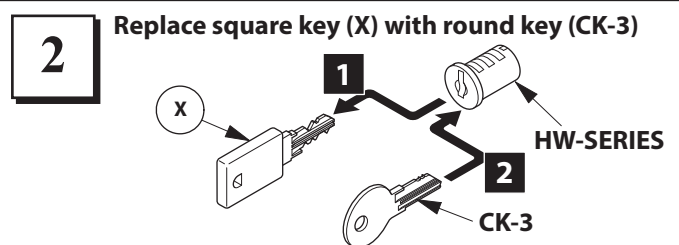
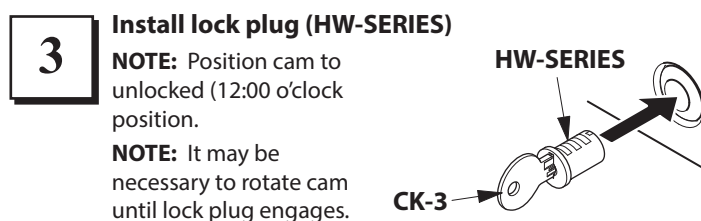
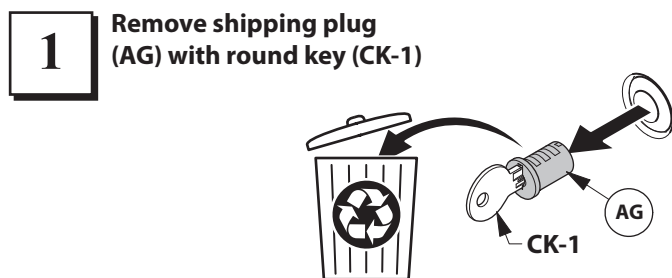
## DOOR INSTALLATION/REMOVAL



## DOOR HINGE ADJUSTMENT



## OPTIONAL LOCK PLUG INSTALLATION



CUSTOMER SERVICE PHONE: 1-800-426-8562

**HAWORTH**

E.C.O. No: 480-062

Page: 7 of 7

Part No: 6100-0124

Rev: 3