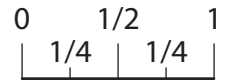
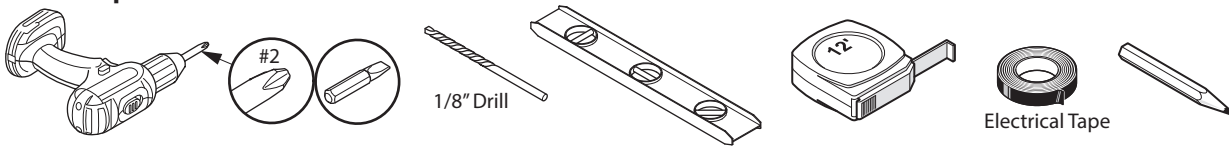


**BE\_HOLD™**  
**Personal Storage Unit & Accessories**  
 Installation Instructions

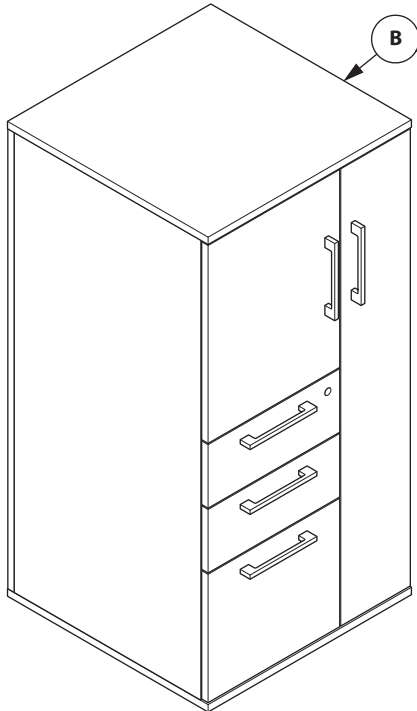


**Scale 1 : 1**

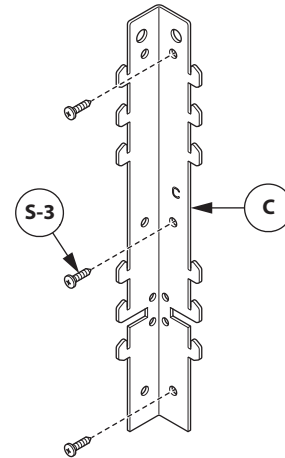
**Tools Required**



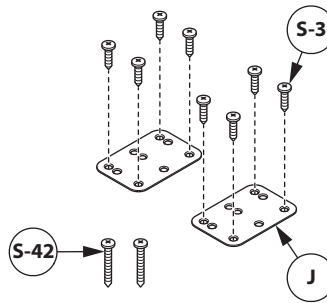
Personal Storage Unit (PST)



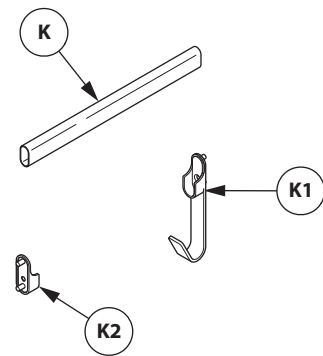
Panel Bracket



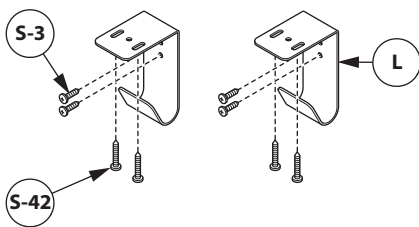
Ganging Kit



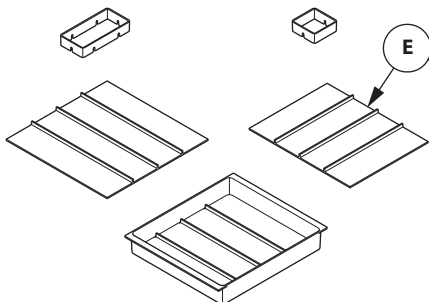
Coat Hook & Rod



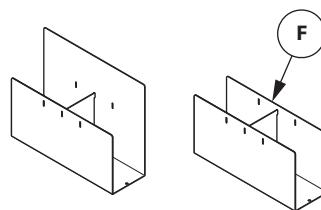
Worksurface Bracket



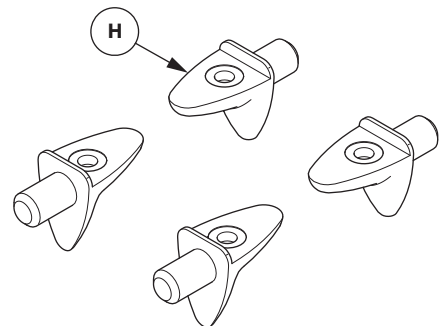
Drawer organizers



Drawer Dividers



Shelf Pins



CUSTOMER SERVICE PHONE: 1-800-426-8562

**HAWORTH**

E.C.O. No: 480-062

Page: 1 of 8

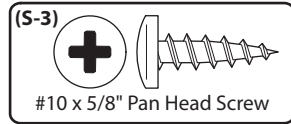
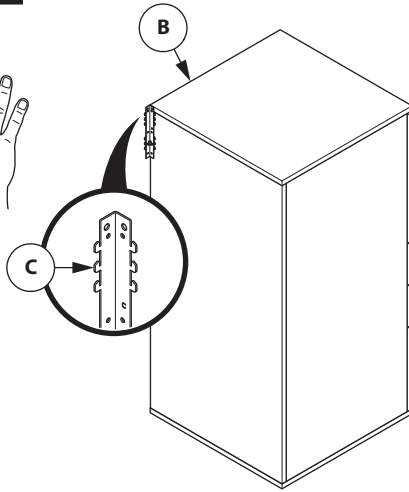
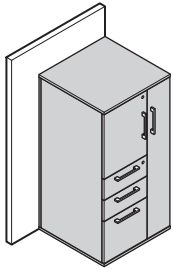
Part No: 6100-0125

Rev: 2

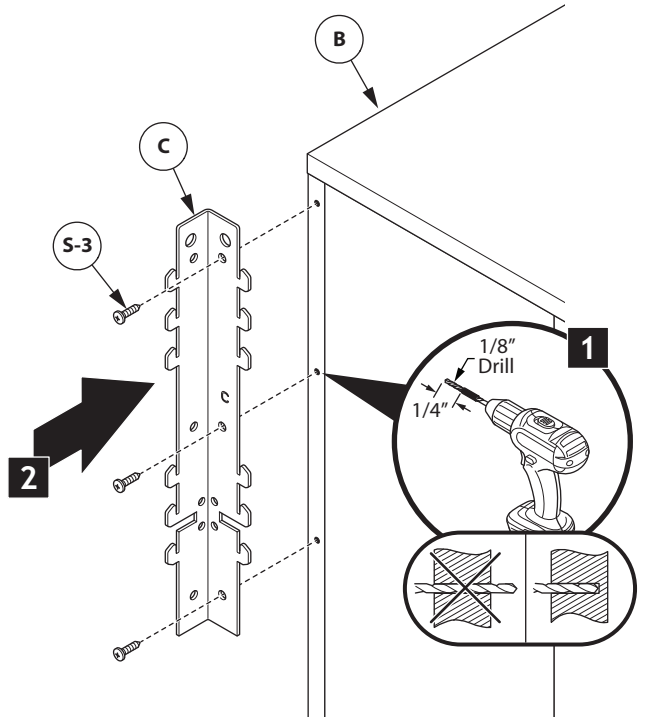
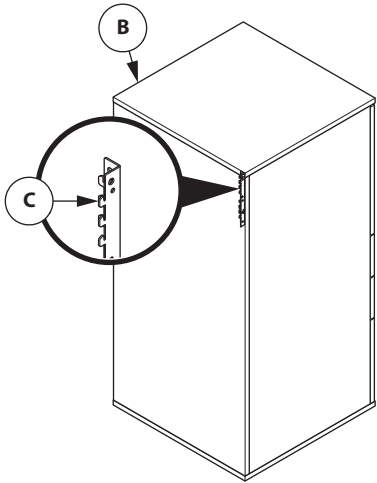
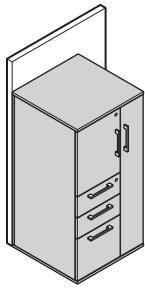
**PANEL BRACKET INSTALLATION**

**1**

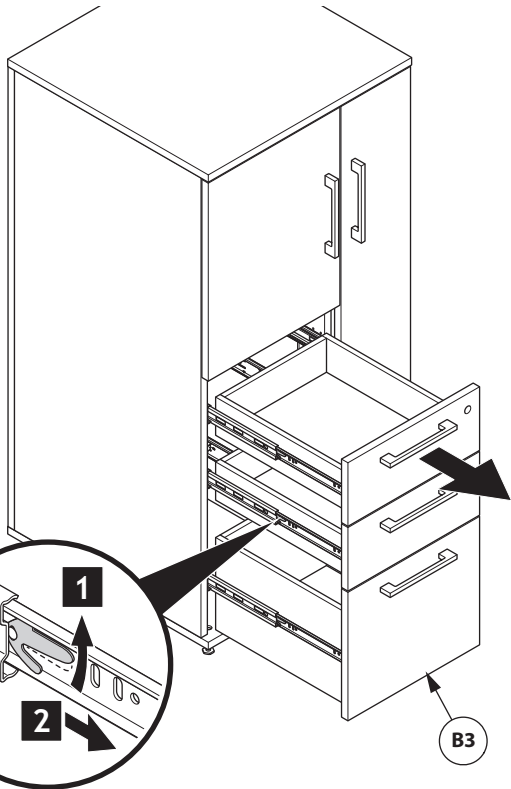
RIGHT HAND APPLICATION



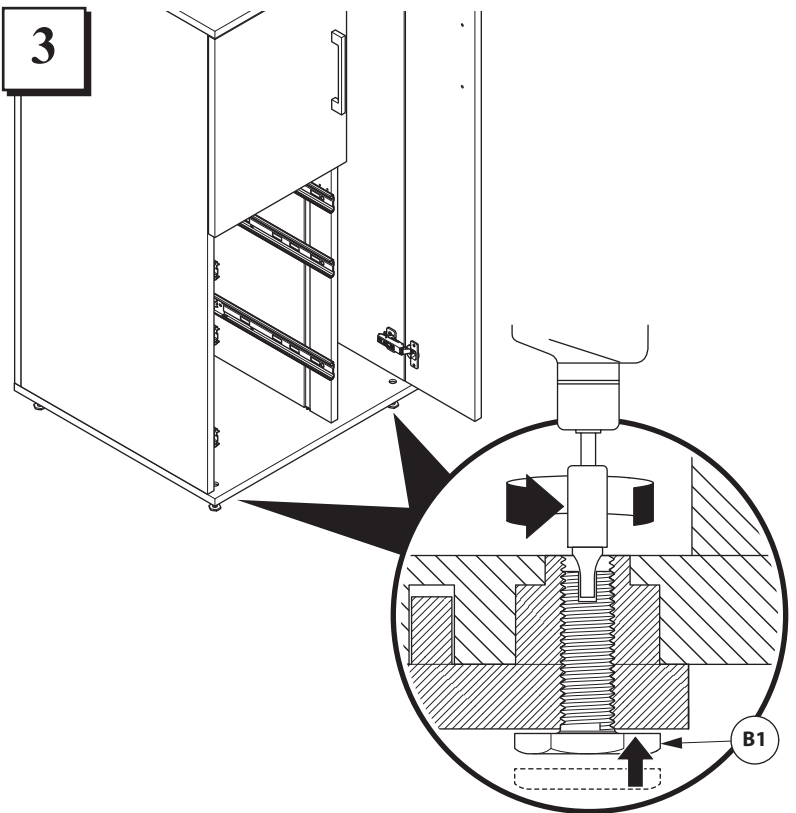
LEFT HAND APPLICATION



**2**

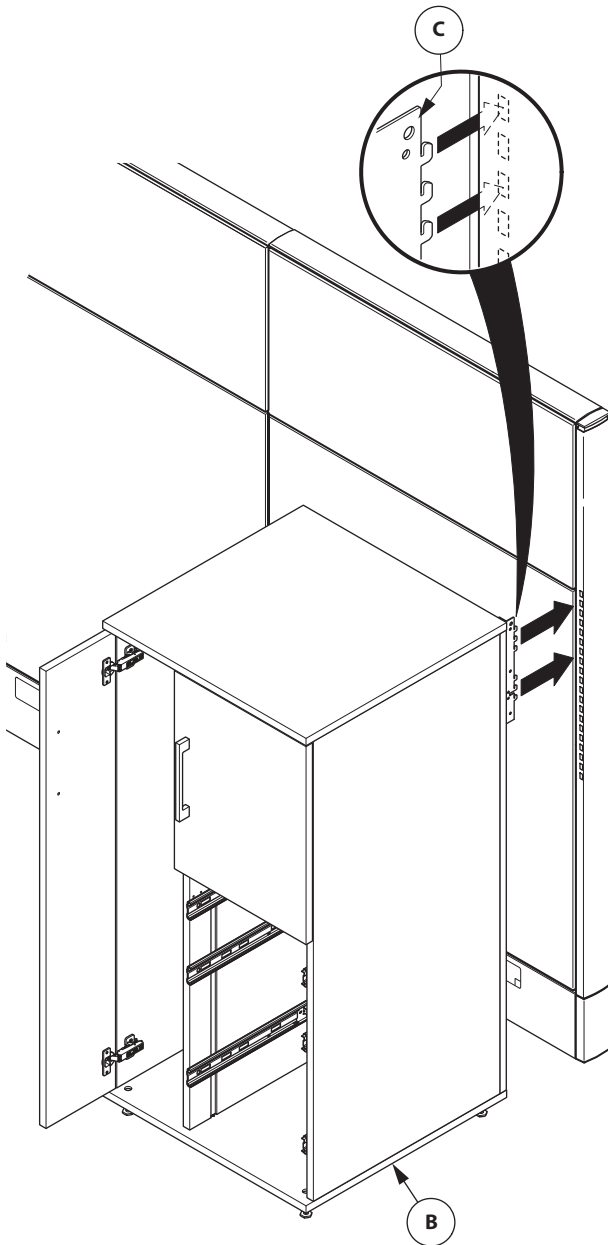


**3**

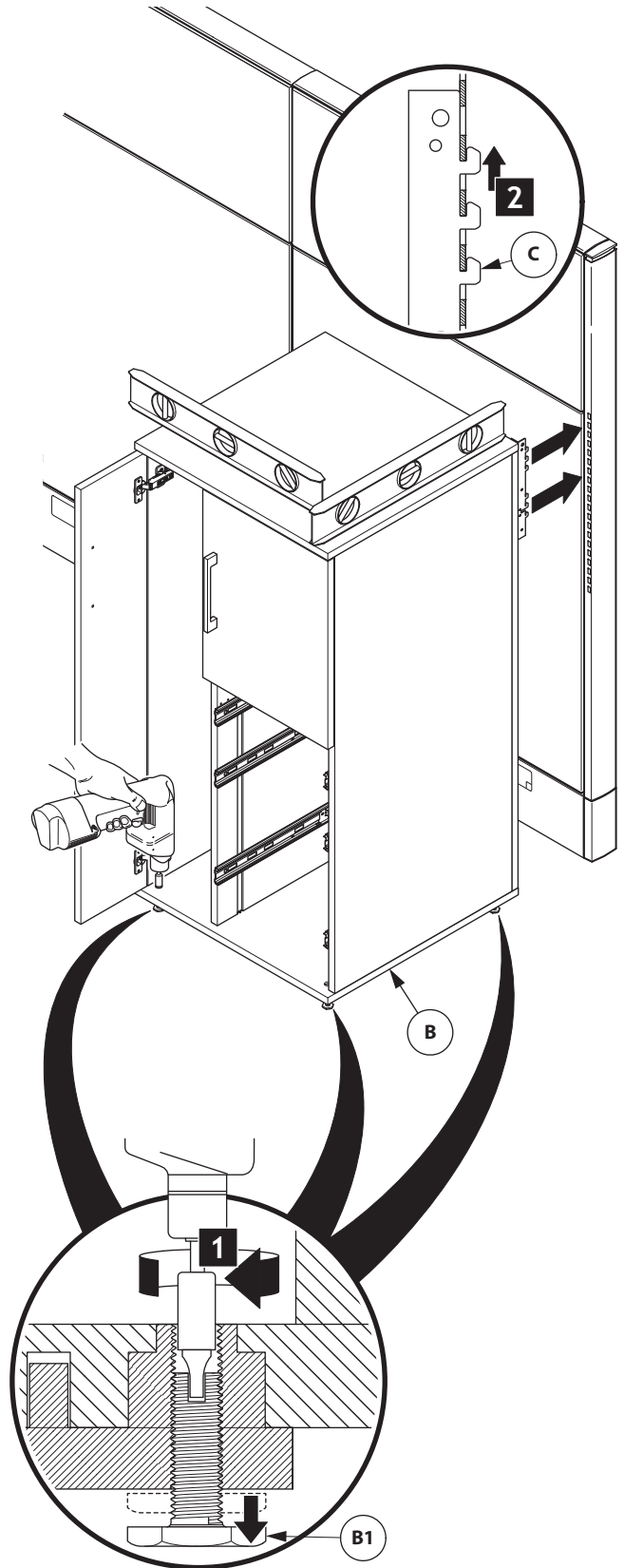


CUSTOMER SERVICE PHONE: 1-800-426-8562

3



4



CUSTOMER SERVICE PHONE: 1-800-426-8562

**HAWORTH**

E.C.O. No: 480-062

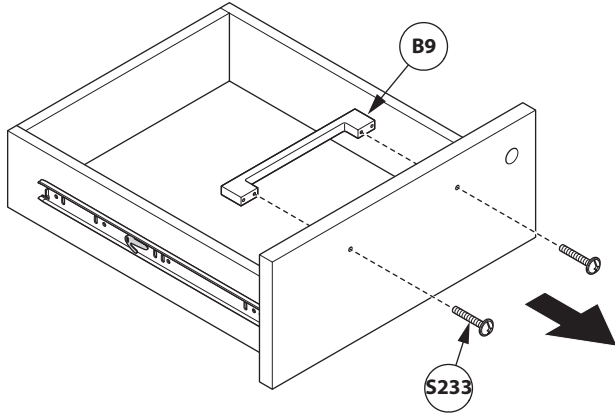
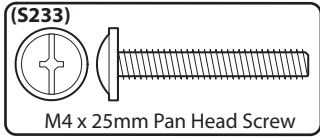
Page: 3 of 8

Part No: 6100-0125

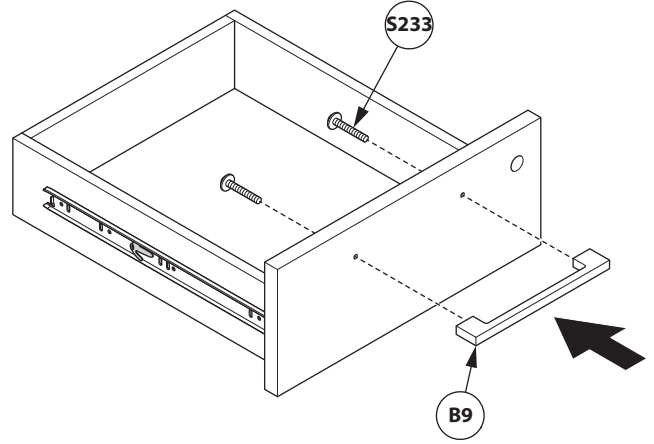
Rev: 2

**PULL INSTALLATION**

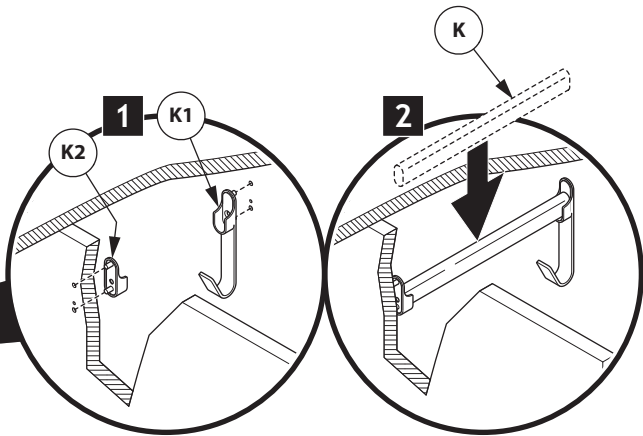
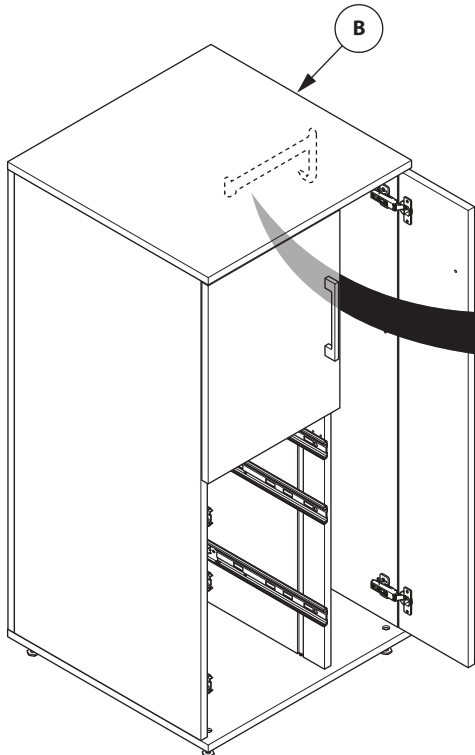
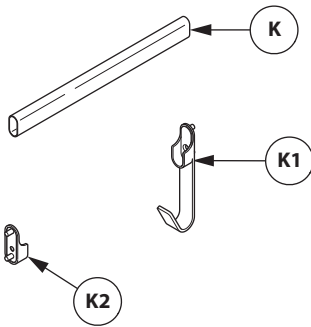
**1**



**2**



**COAT HOOK & ROD INSTALLATION**



**NOTE:** Rods (K) will be taped in place during shipping. But may need re-assembly.

CUSTOMER SERVICE PHONE: 1-800-426-8562

**HAWORTH**

E.C.O. No: 480-062

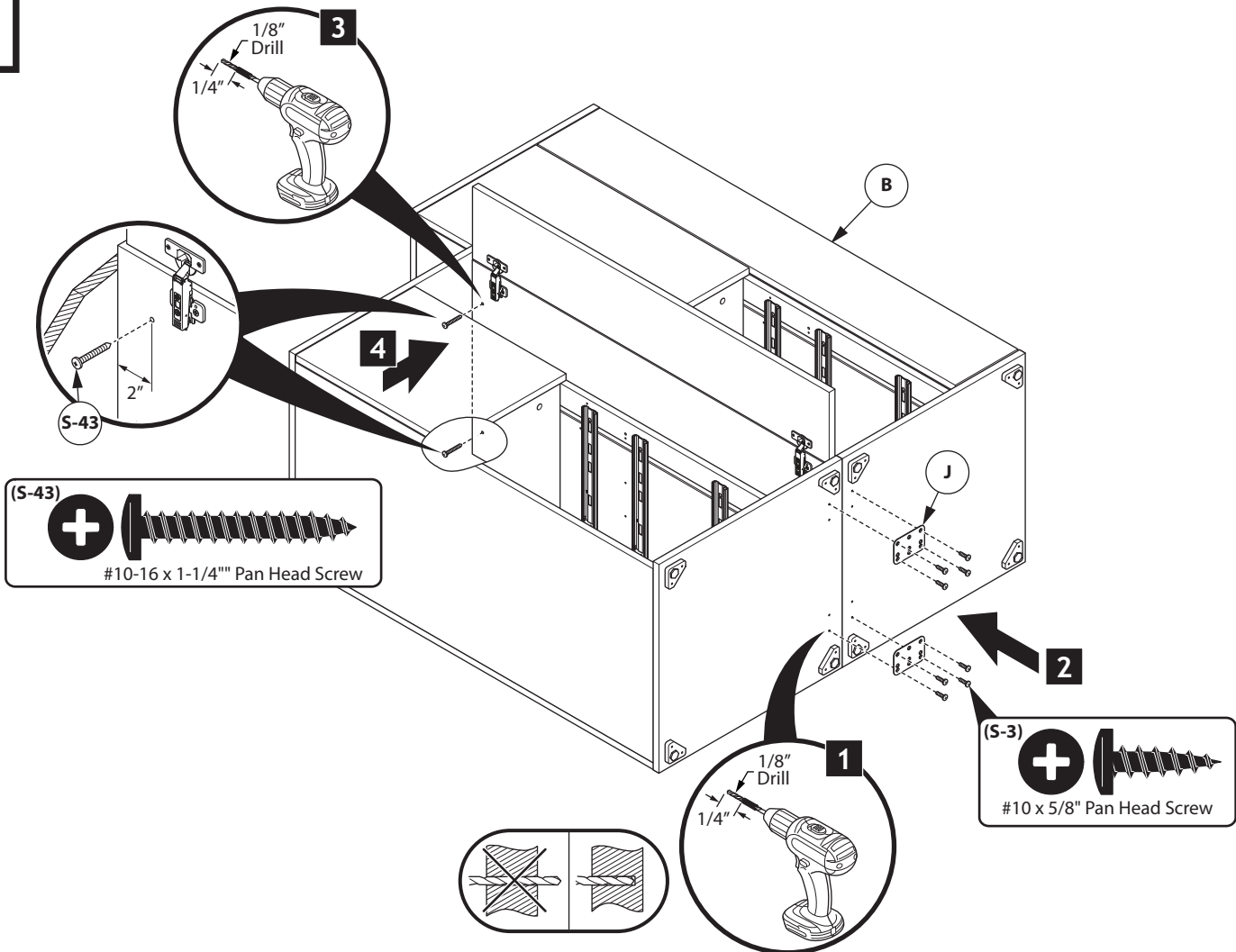
Page: 4 of 8

Part No: 6100-0125

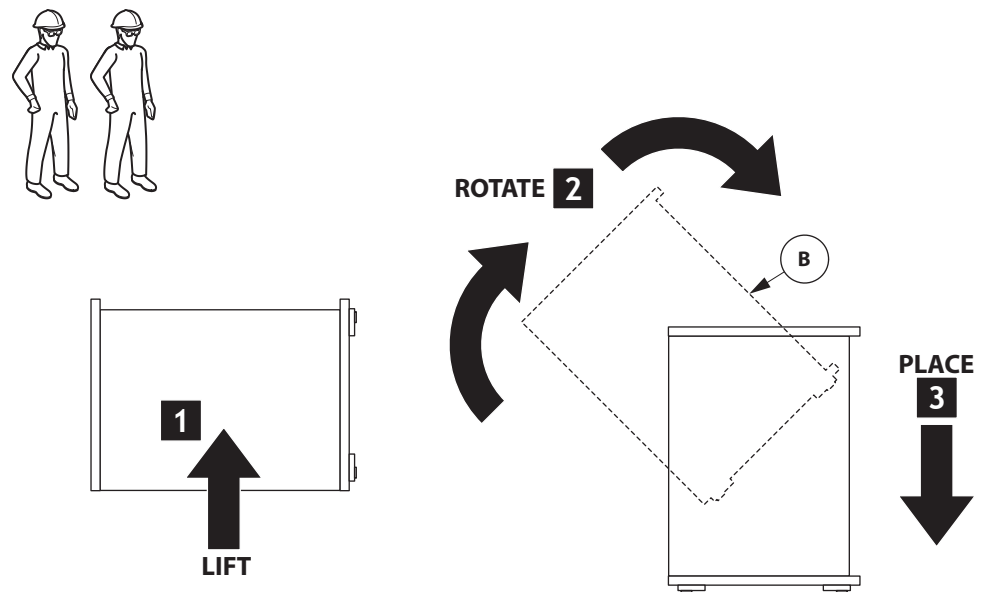
Rev: 2

**GANGING INSTALLATION**

**1**



**2**



CUSTOMER SERVICE PHONE: 1-800-426-8562

**HAWORTH**

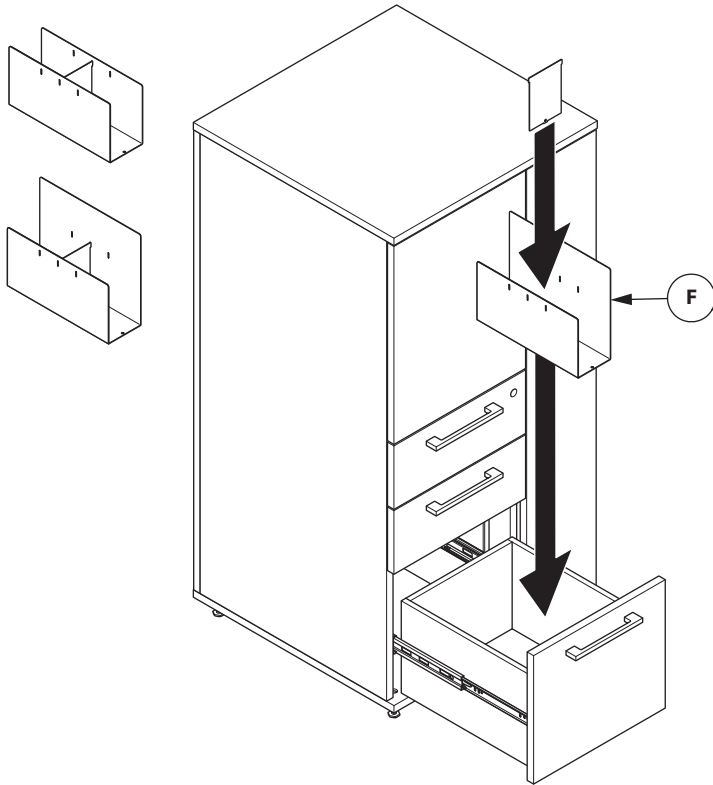
E.C.O. No: 480-062

Page: 5 of 8

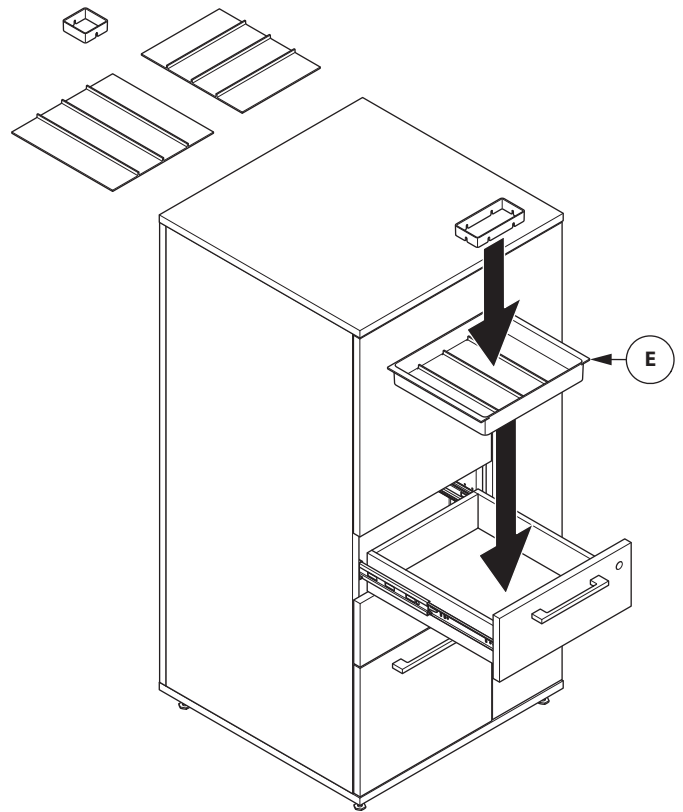
Part No: 6100-0125

Rev: 2

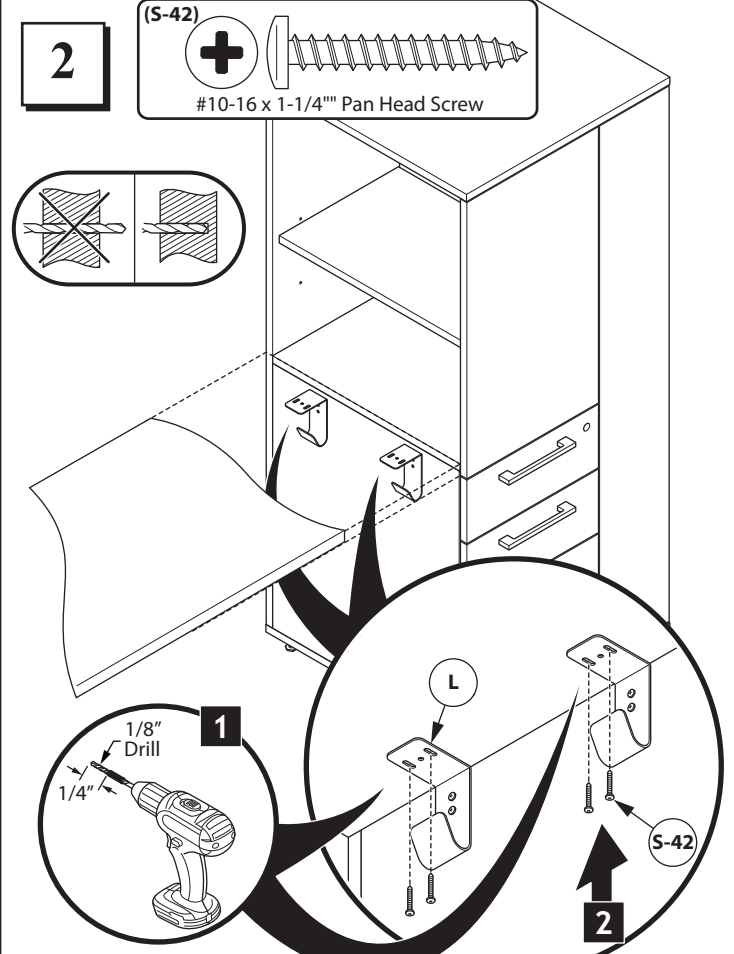
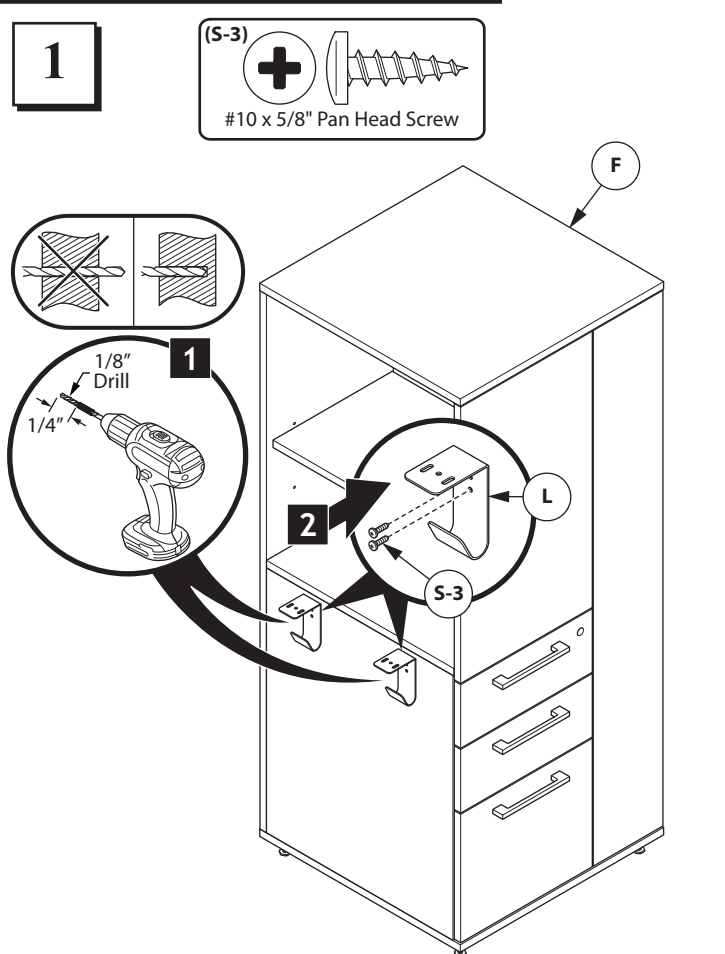
### DRAWER DIVIDER INSTALLATION



### DRAWER ORGANIZER INSTALLATION



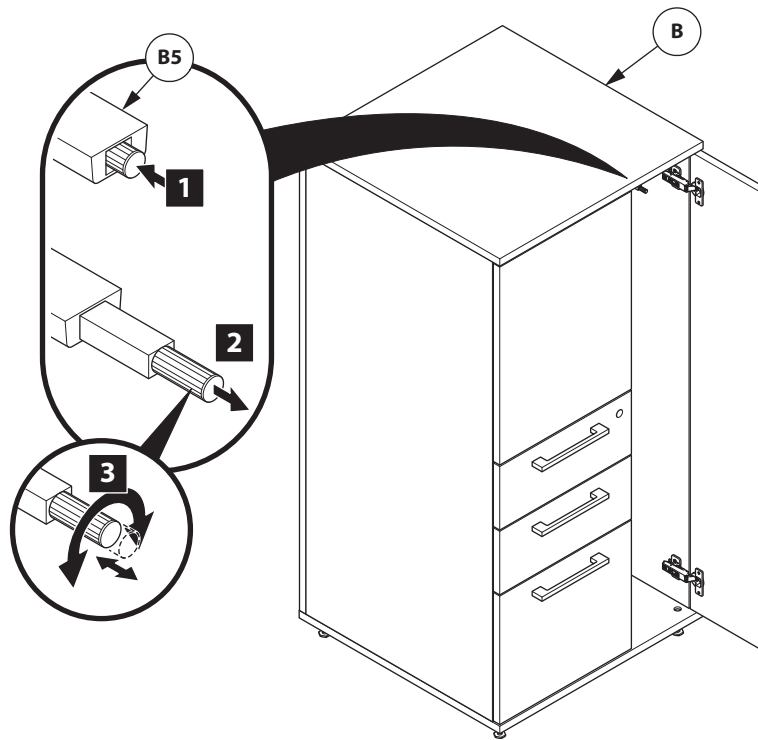
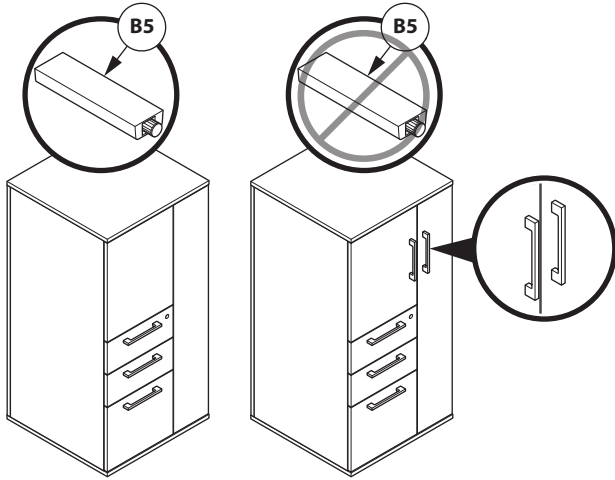
### WORKSURFACE BRACKET INSTALLATION



CUSTOMER SERVICE PHONE: 1-800-426-8562

## DOOR PUSH LATCH ADJUSTMENT

**NOTE:** Not all units have push latches (B5). Units with door pulls **WILL NOT** have push latches (B5).



CUSTOMER SERVICE PHONE: 1-800-426-8562

**HAWORTH**

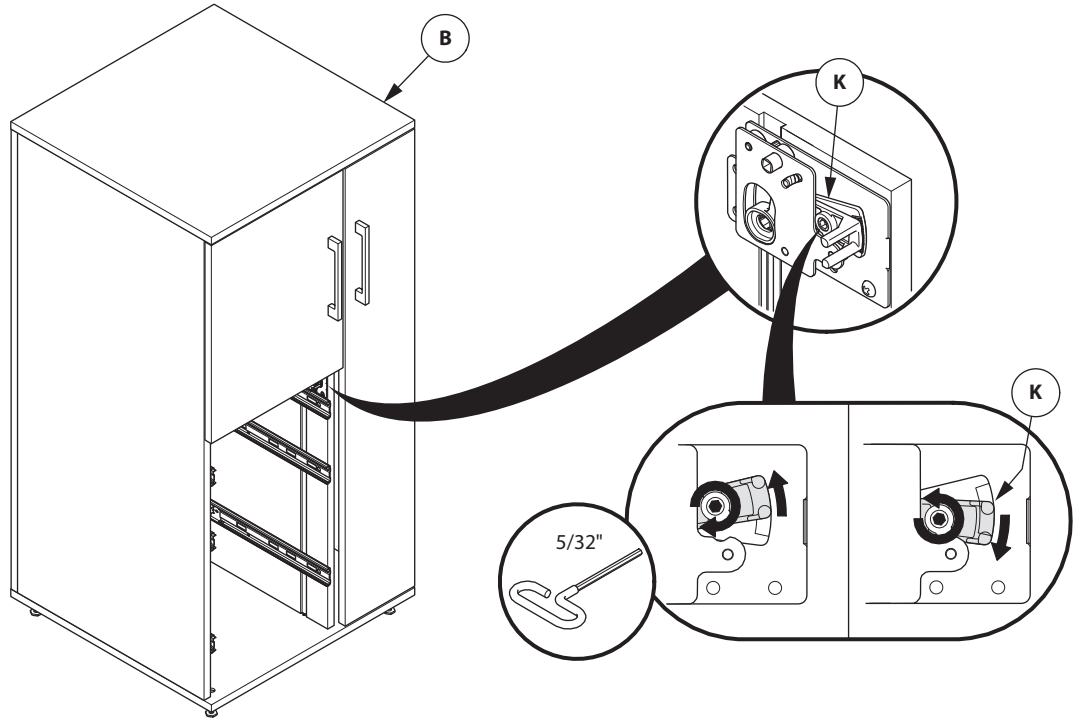
E.C.O. No: 480-062

Page: 7 of 8

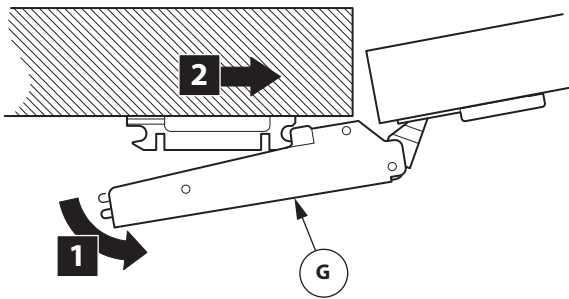
Part No: 6100-0125

Rev: 2

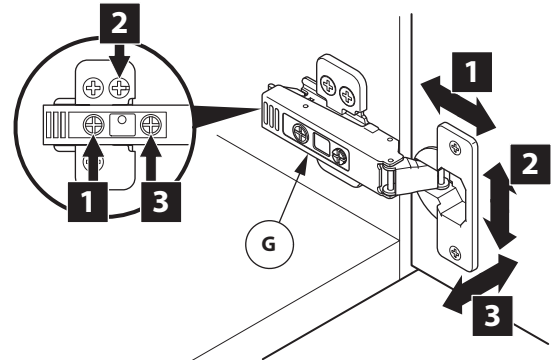
## DRAWER LOCK BAR ADJUSTMENT



## DOOR INSTALLATION/REMOVAL

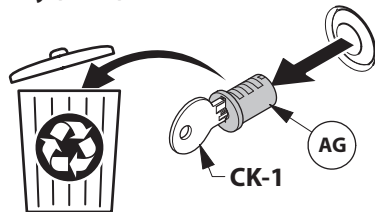


## DOOR HINGE ADJUSTMENT



## OPTIONAL LOCK PLUG INSTALLATION

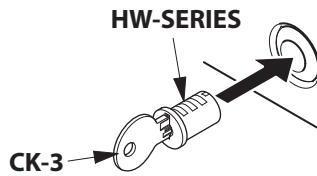
- 1** Remove shipping plug (AG) with round key (CK-1)



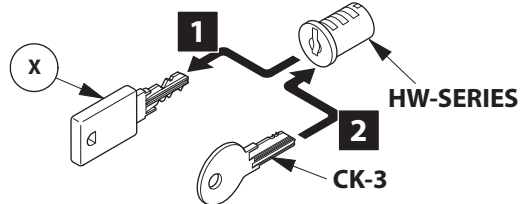
- 3** Install lock plug (HW-SERIES)

**NOTE:** Position cam to unlocked (12:00 o'clock position).

**NOTE:** It may be necessary to rotate cam until lock plug engages.

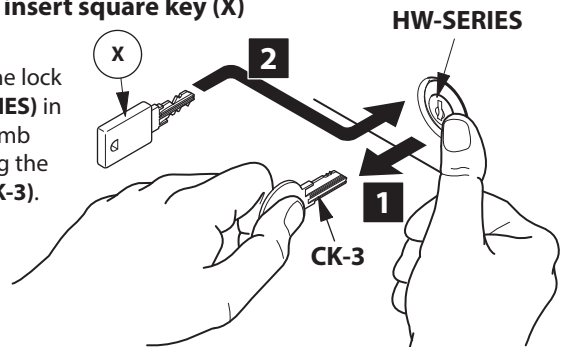


- 2** Replace square key (X) with round key (CK-3)



- 4** Remove round key (CK-3) and insert square key (X)

**NOTE:** Hold the lock plug (HW-SERIES) in place with thumb while removing the control key (CK-3).



CUSTOMER SERVICE PHONE: 1-800-426-8562

**HAWORTH**

E.C.O. No: 480-062

Page: 8 of 8

Part No: 6100-0125

Rev: 2